

[54] CONTROL KNOB FOR AUDIO APPARATUS

[75] Inventor: Akira Kato, Chofu, Japan

[73] Assignee: Sansui Electric Co., Ltd., Tokyo, Japan

[**] Term: 14 Years

[21] Appl. No.: 811,359

[22] Filed: Jun. 29, 1977

[30] Foreign Application Priority Data

Feb. 24, 1977 [JP] Japan 52-6341

[51] Int. Cl. D14-99; D8-06

[52] U.S. Cl. D14/10; D8/312; D14/76; D14/84

[58] Field of Search D14/1, 2, 5-7, D14/10, 14, 17-19, 20-25, 52, 68-77, 79, 84, 95, 99, 96; D8/310-312; 116/124.1 R

[56] References Cited

U.S. PATENT DOCUMENTS

D. 186,982 1/1960 Moxneck D8/311 X
2,573,291 10/1951 Wagenknecht 116/124.1 R

OTHER PUBLICATIONS

Evans 1976 cat., c 1975, p. 29x, item "C".

Heathkit Spring 1976 cat., c 1976, p. 34, item # "AA-18", "Volume" & "Tone" Knobs.

Stereo Review, 6-76, p. 29, Mida Receiver, top right corner knob.

Primary Examiner—Joel Stearman

Assistant Examiner—Jane E. Corrigan

Attorney, Agent, or Firm—Richard C. Sughrue

[57] CLAIM

The ornamental design for a control knob for audio apparatus, as shown and described.

DESCRIPTION

FIG. 1 is front view of a control knob for audio apparatus showing my new design;

FIG. 2 is a left side elevational view;

FIG. 3 is a right side elevational view;

FIG. 4 is a top plan view;

FIG. 5 is a bottom plan view; and

FIG. 6 is a top, front and right side perspective view thereof.

FIG. 7 is a front and bottom perspective view; and

FIG. 8 is an enlarged front and partial top perspective view.

The characteristic features of my design are the configuration of the front groove and the texture of the outermost band.

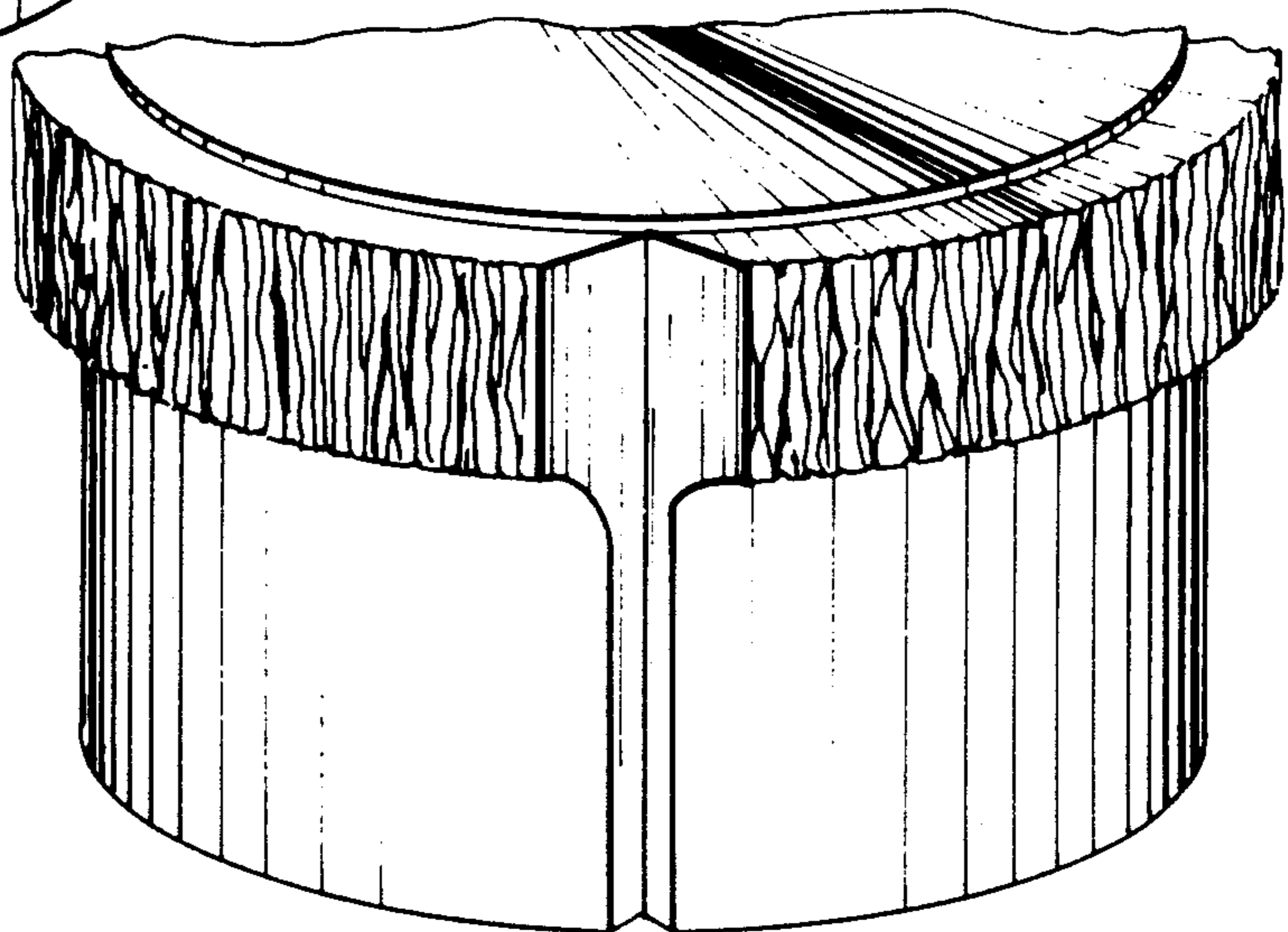
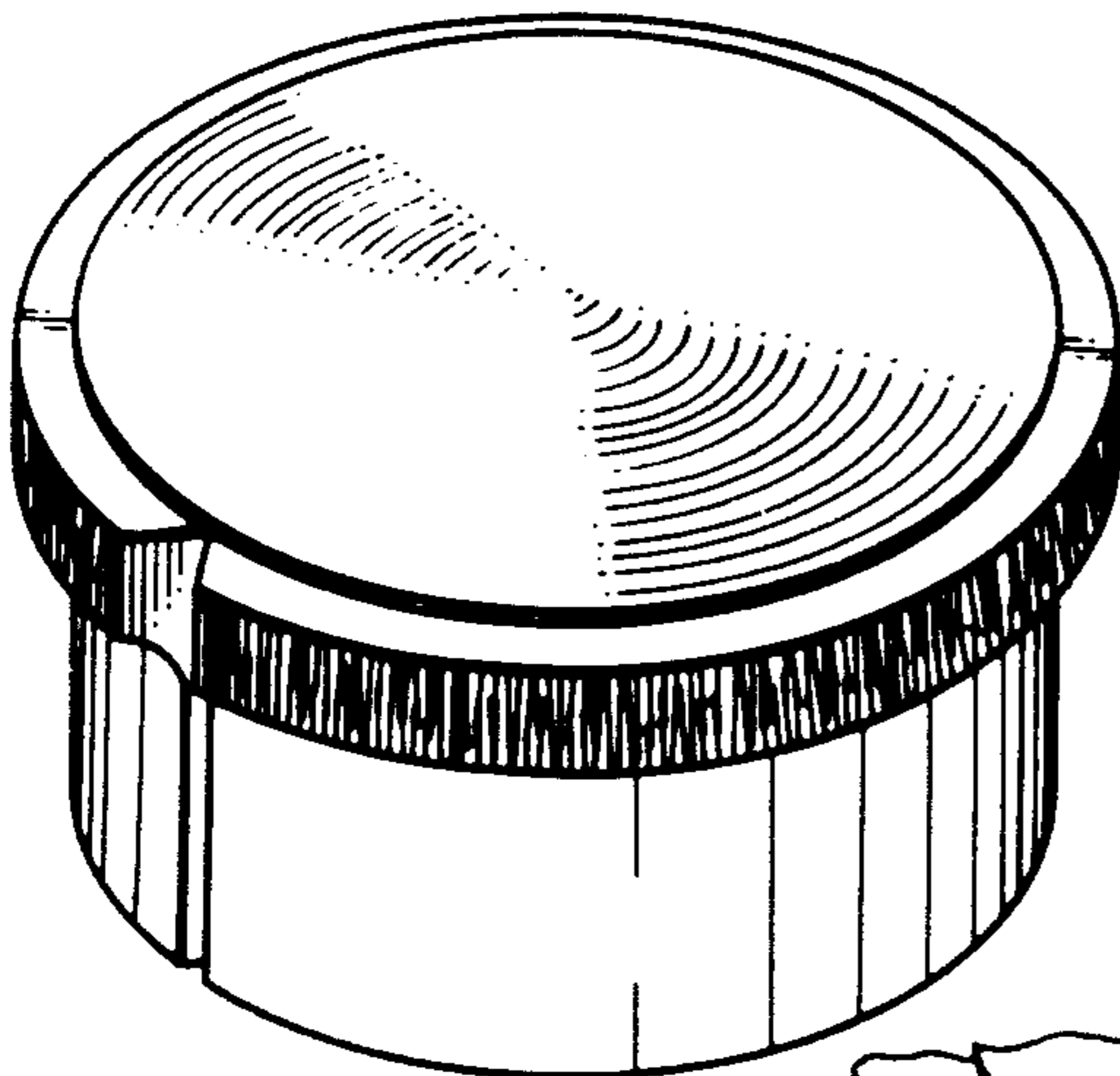


Fig. 1

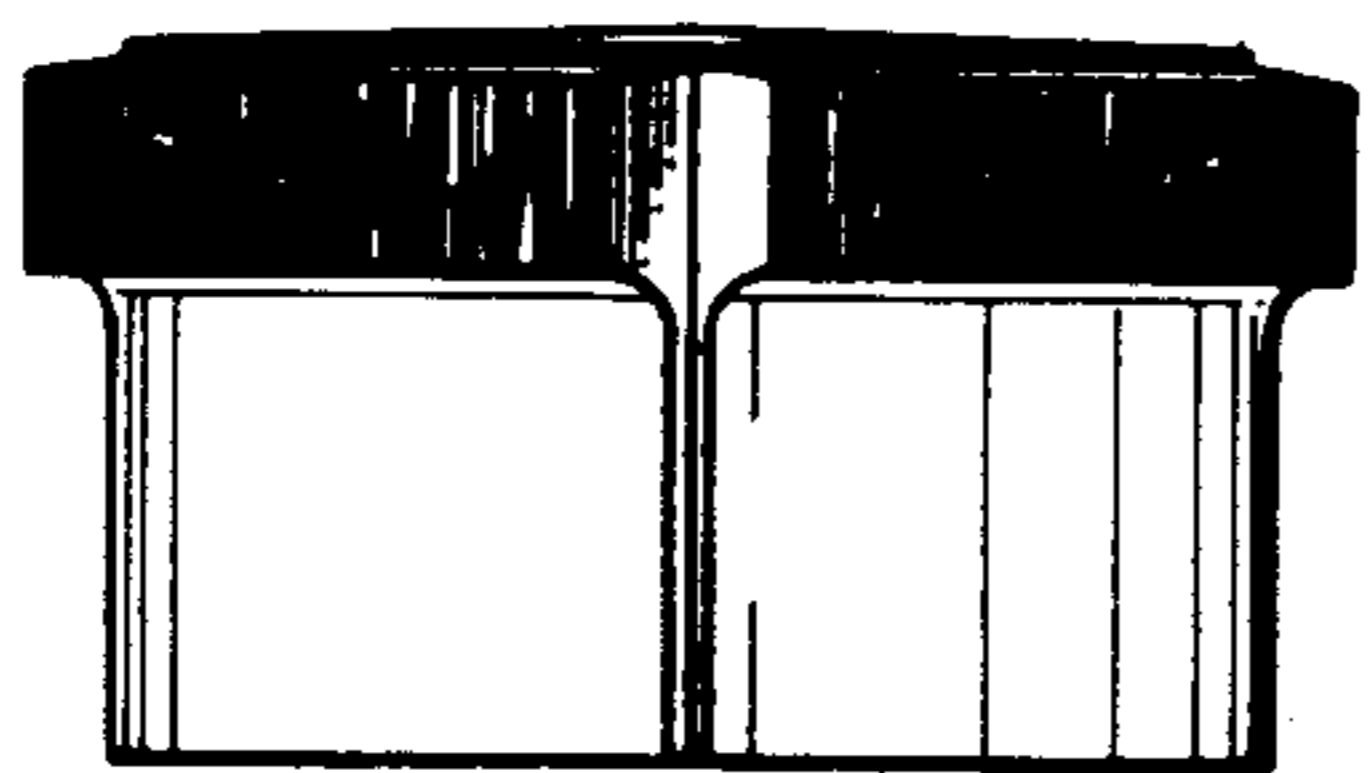


Fig. 2

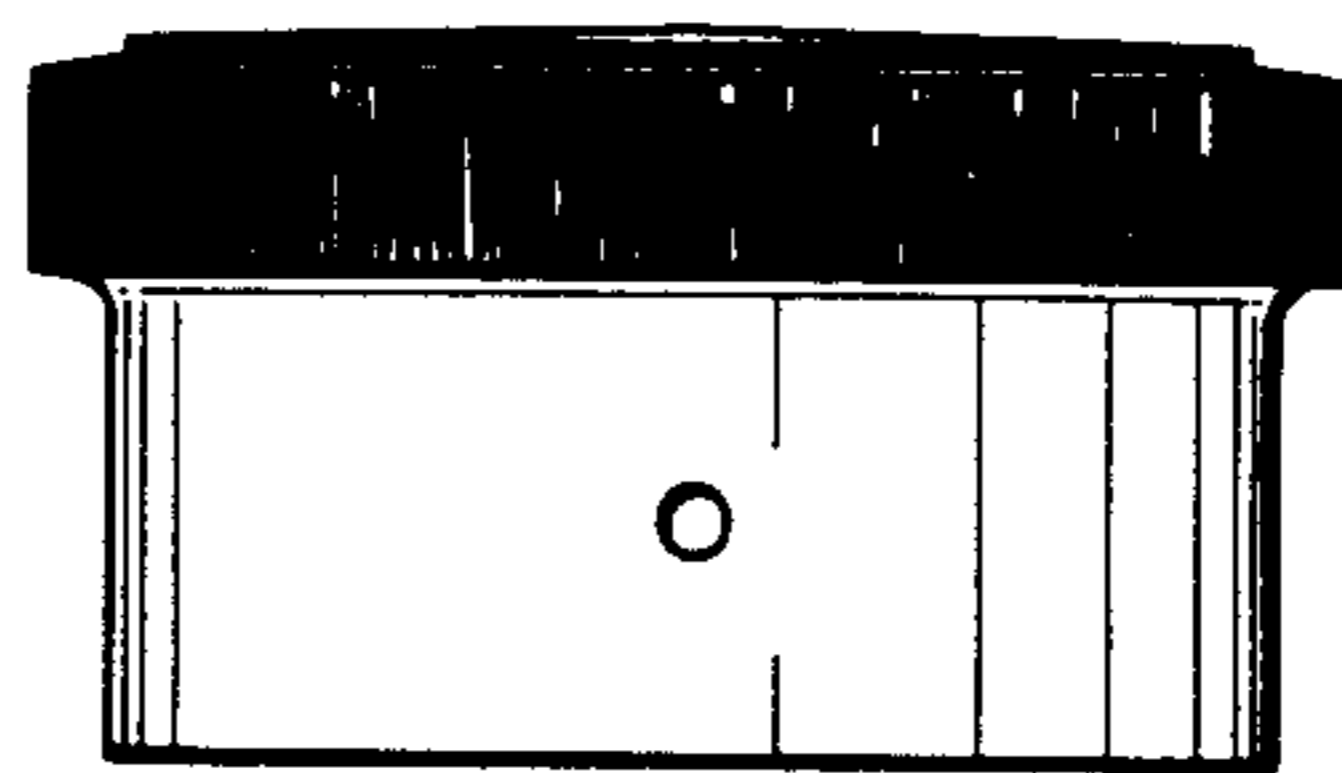


Fig. 3

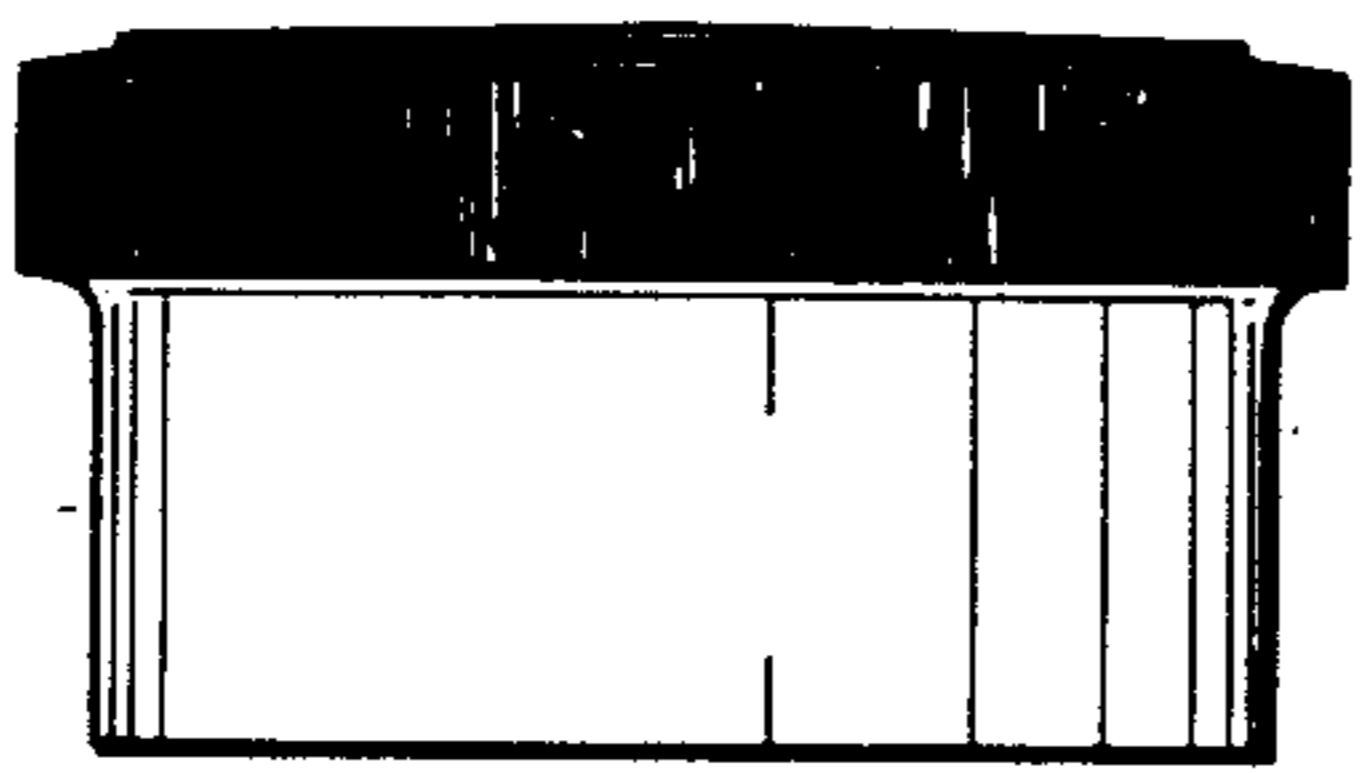


Fig. 4

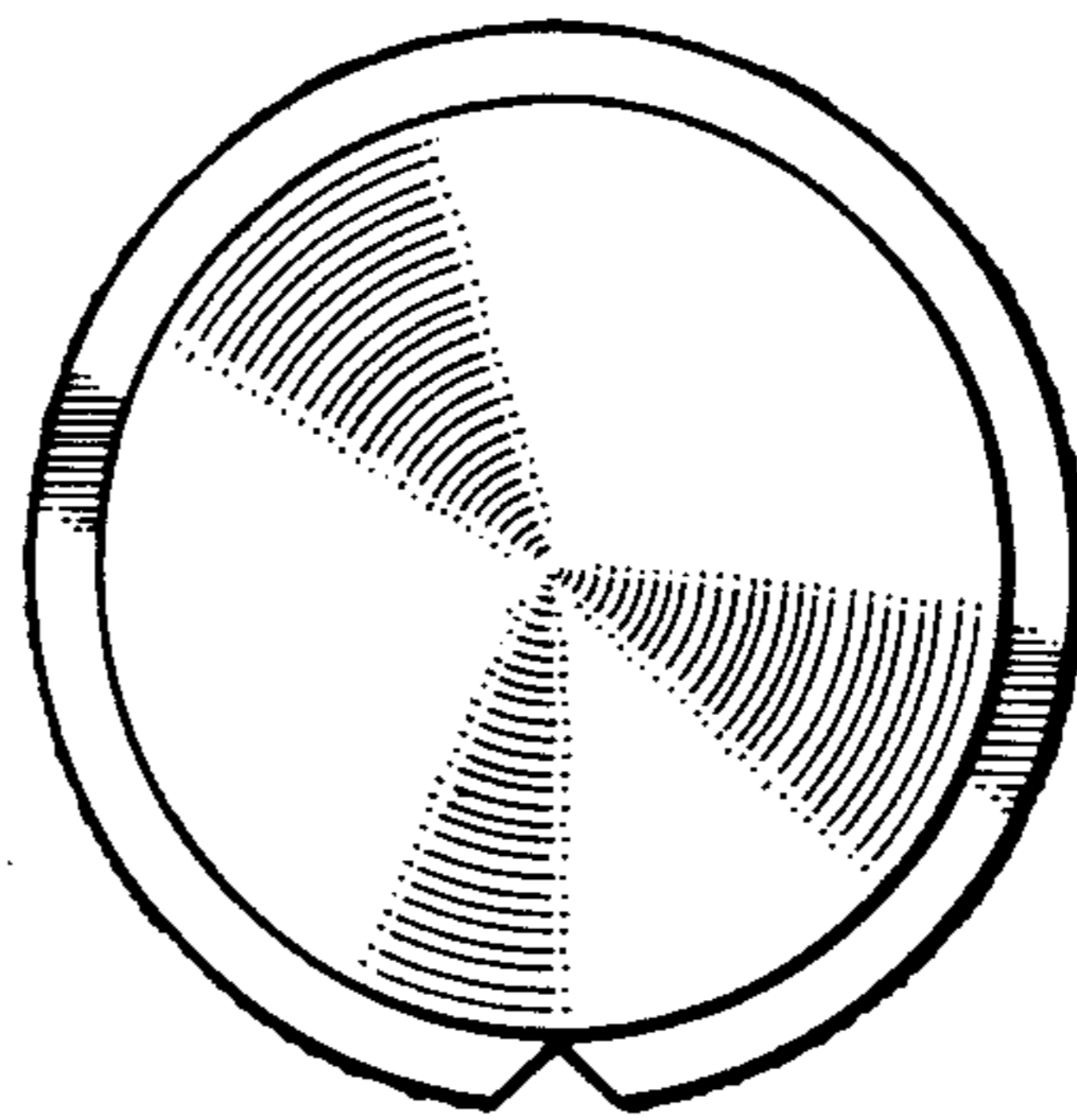


Fig. 5

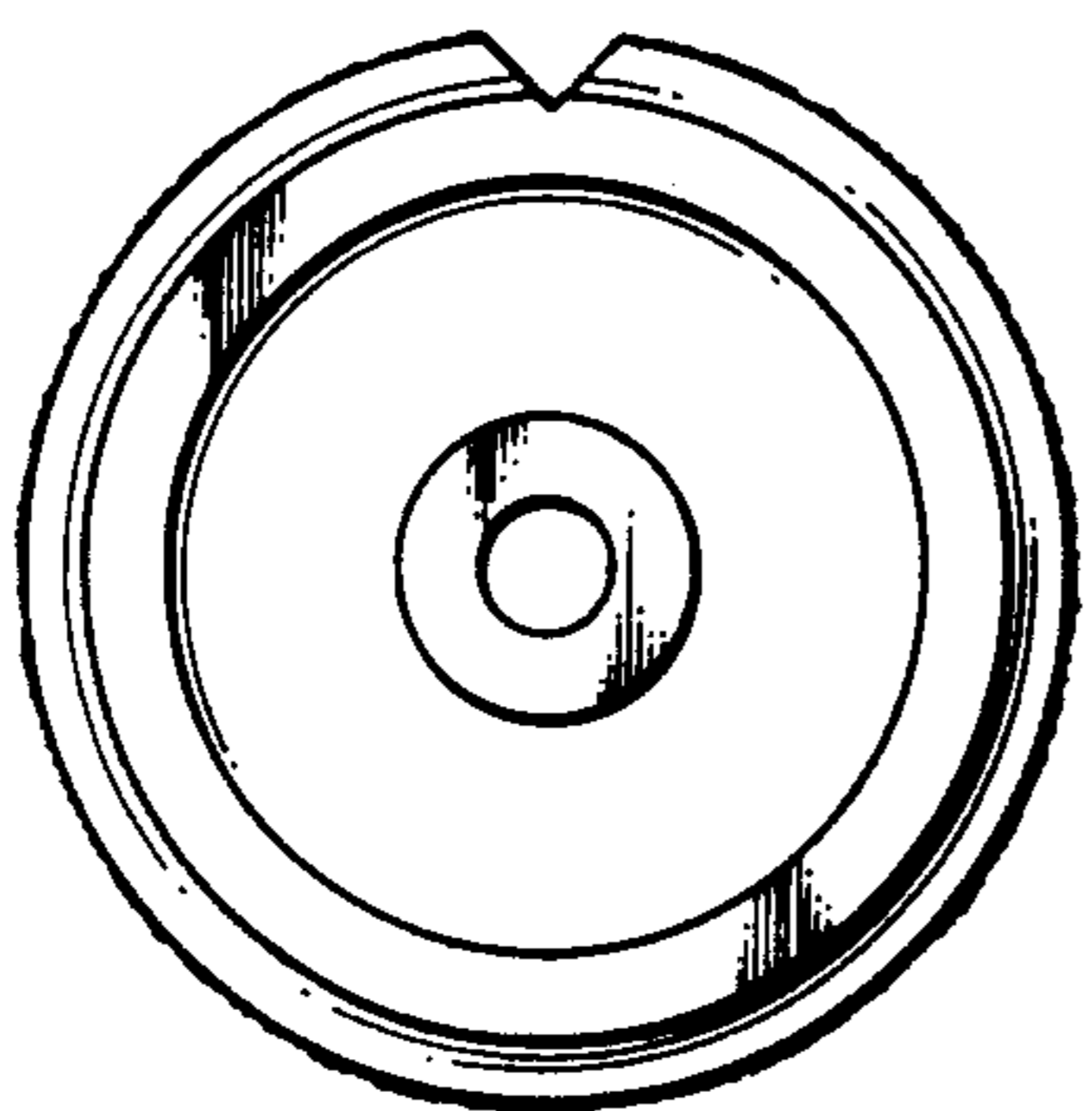
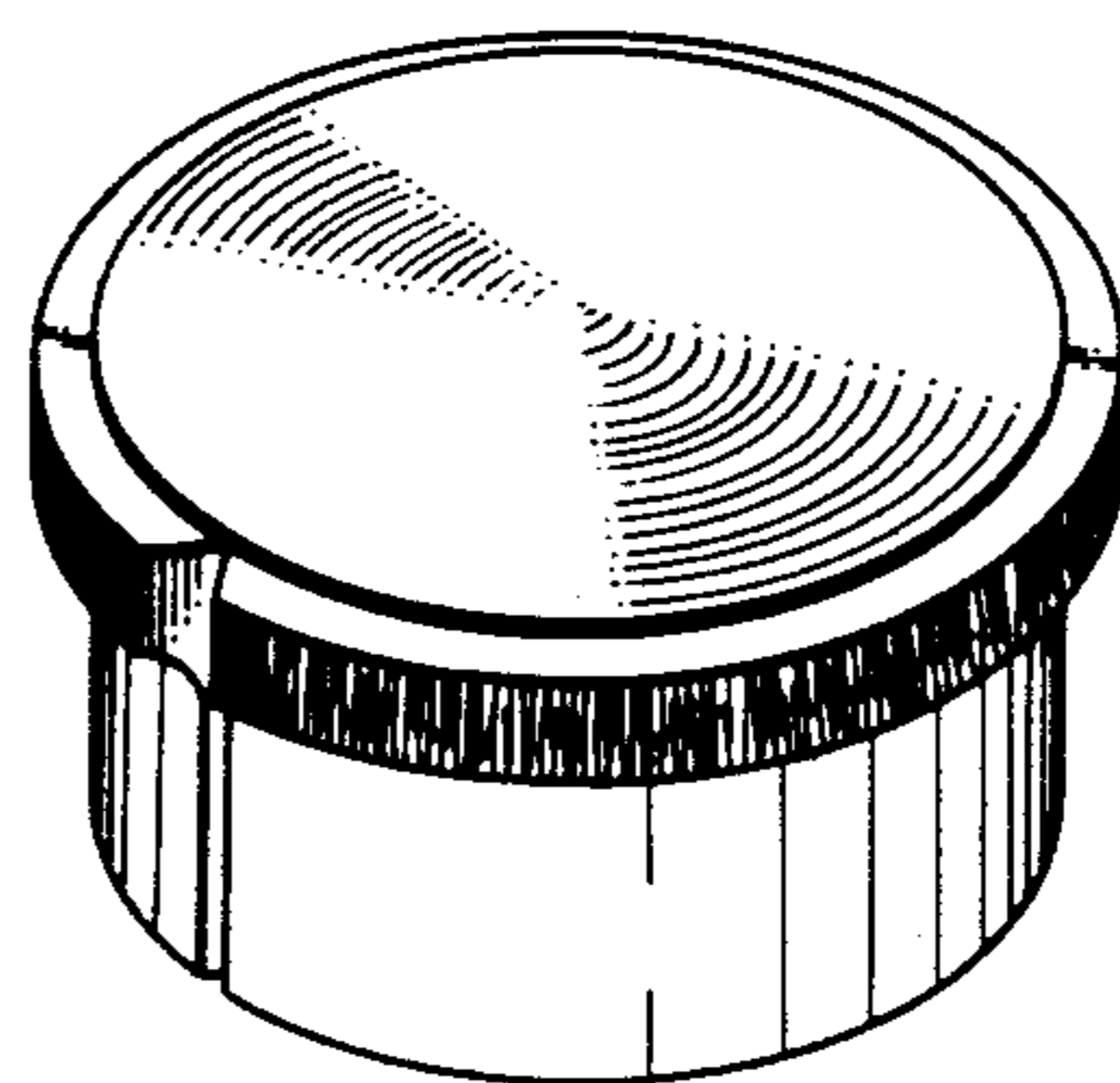


Fig. 6



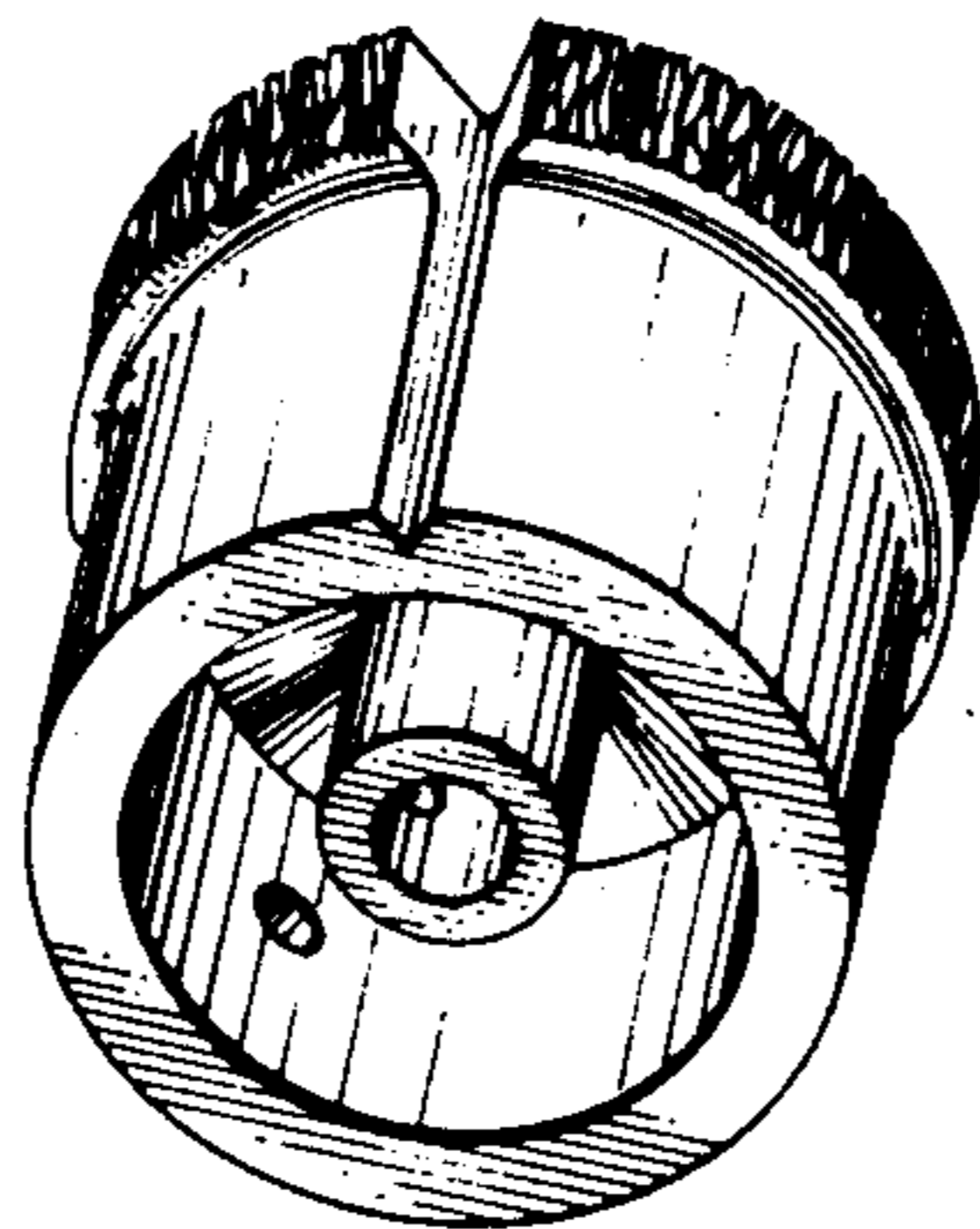


Fig. 7

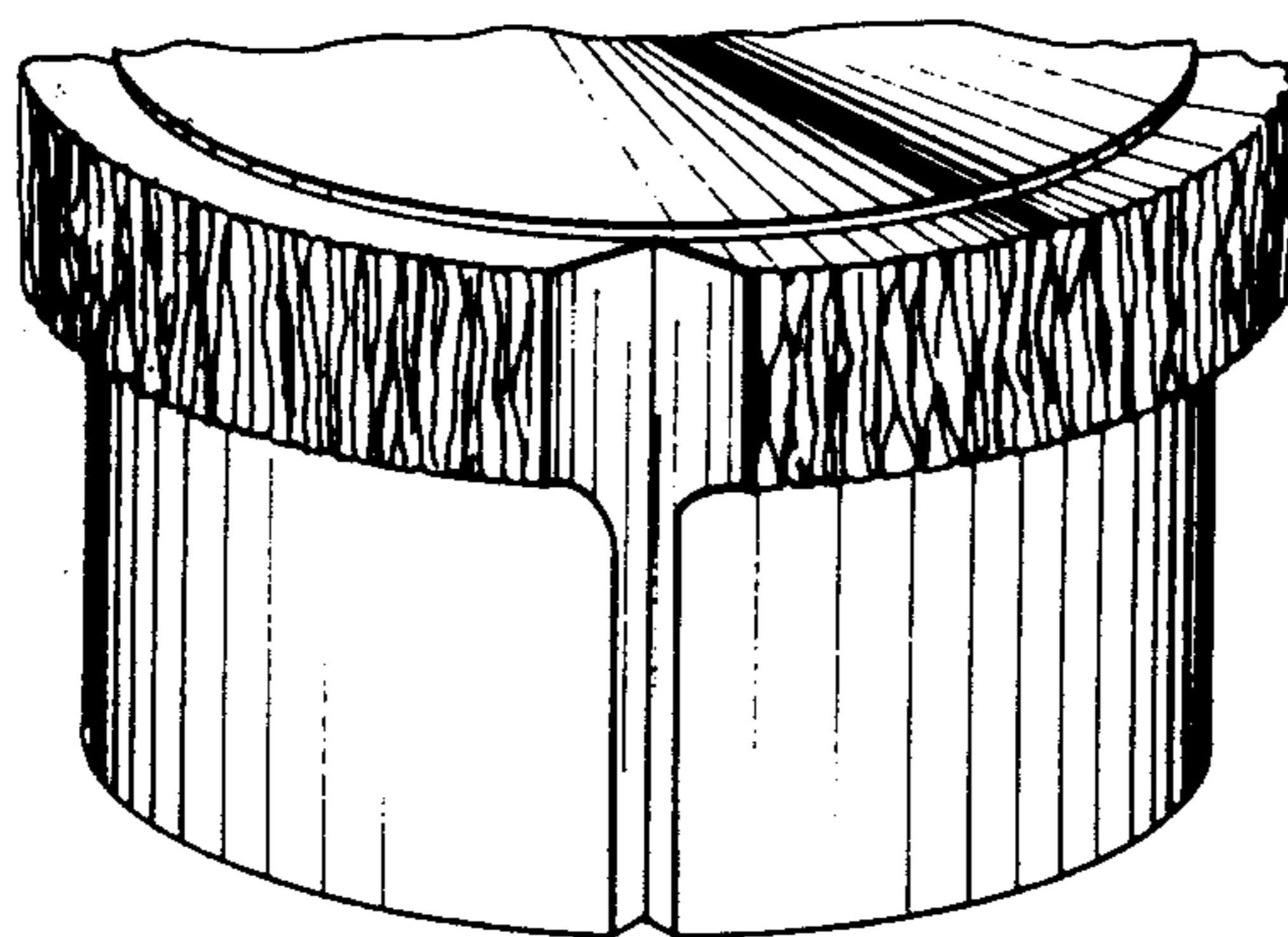


Fig. 8