

[54] STATION PROTECTOR BASE

[75] Inventor: Frank L. Simokat, Babylon, N.Y.

[73] Assignee: TII Corporation, Lindenhurst, N.Y.

[\*\*] Term: 14 Years

[21] Appl. No.: 804,384

[22] Filed: Jun. 7, 1977

[51] Int. Cl. .... D13-02

[52] U.S. Cl. .... D13/11

[58] Field of Search ..... D13/11; 361/42, 85, 361/86, 87, 111, 117, 118, 119, 49, 51, 56, 57

[56] References Cited

U.S. PATENT DOCUMENTS

4,009,421 2/1977 Splitt et al. .... 361/119

OTHER PUBLICATIONS

Telephony, 10-13-75, p. 121, Station Protector.

Primary Examiner—Susan J. Lucas

Attorney, Agent, or Firm—George B. Finnegan, Jr.

[57] CLAIM

The ornamental design for station protector base, as shown.

DESCRIPTION

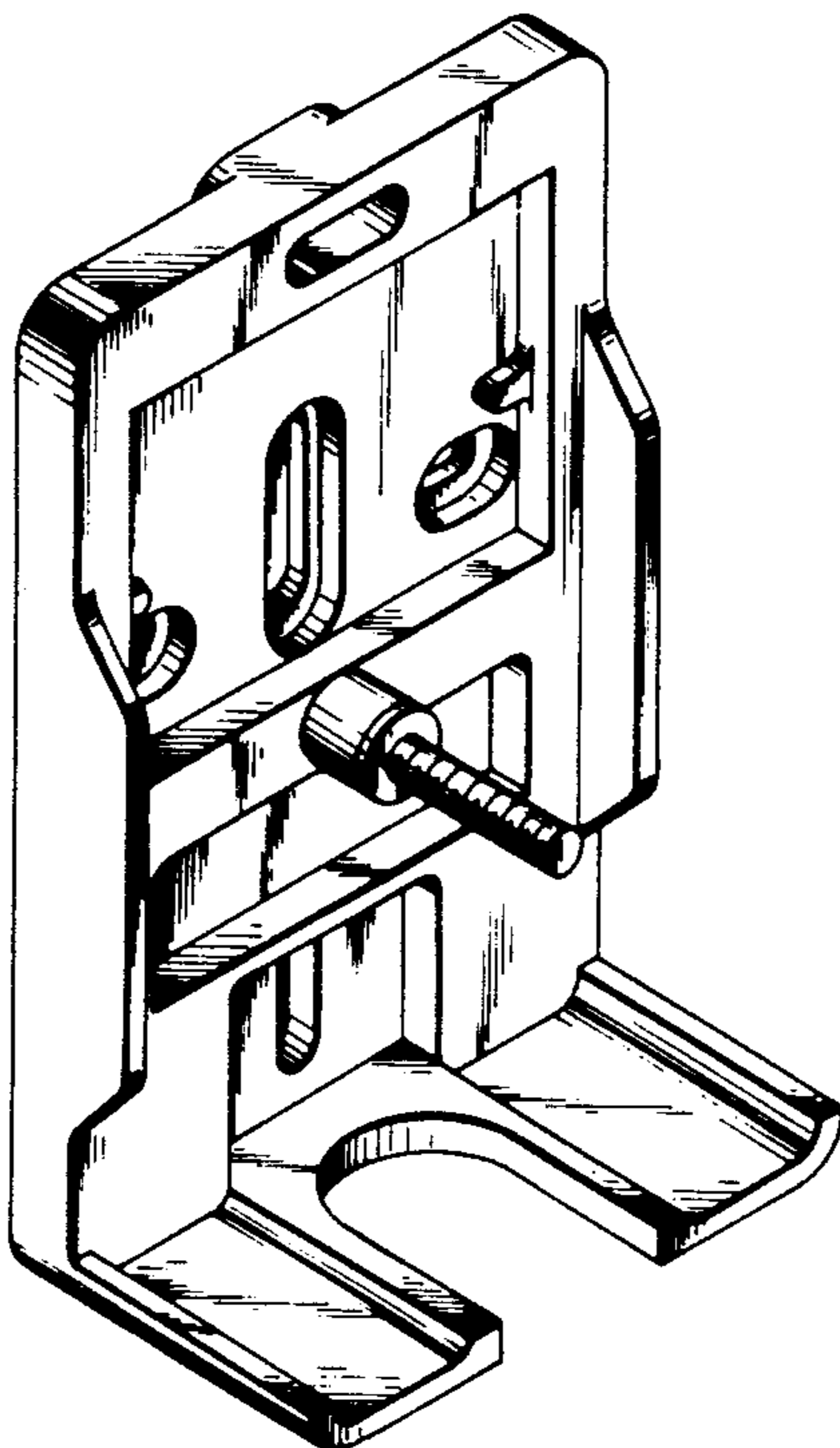
FIG. 1 is a front elevational view of the station protector base of the present design;

FIG. 2 is a right side view;

FIG. 3 is a rear elevational view;

FIG. 4 is a bottom view; and

FIG. 5 is a front perspective view.



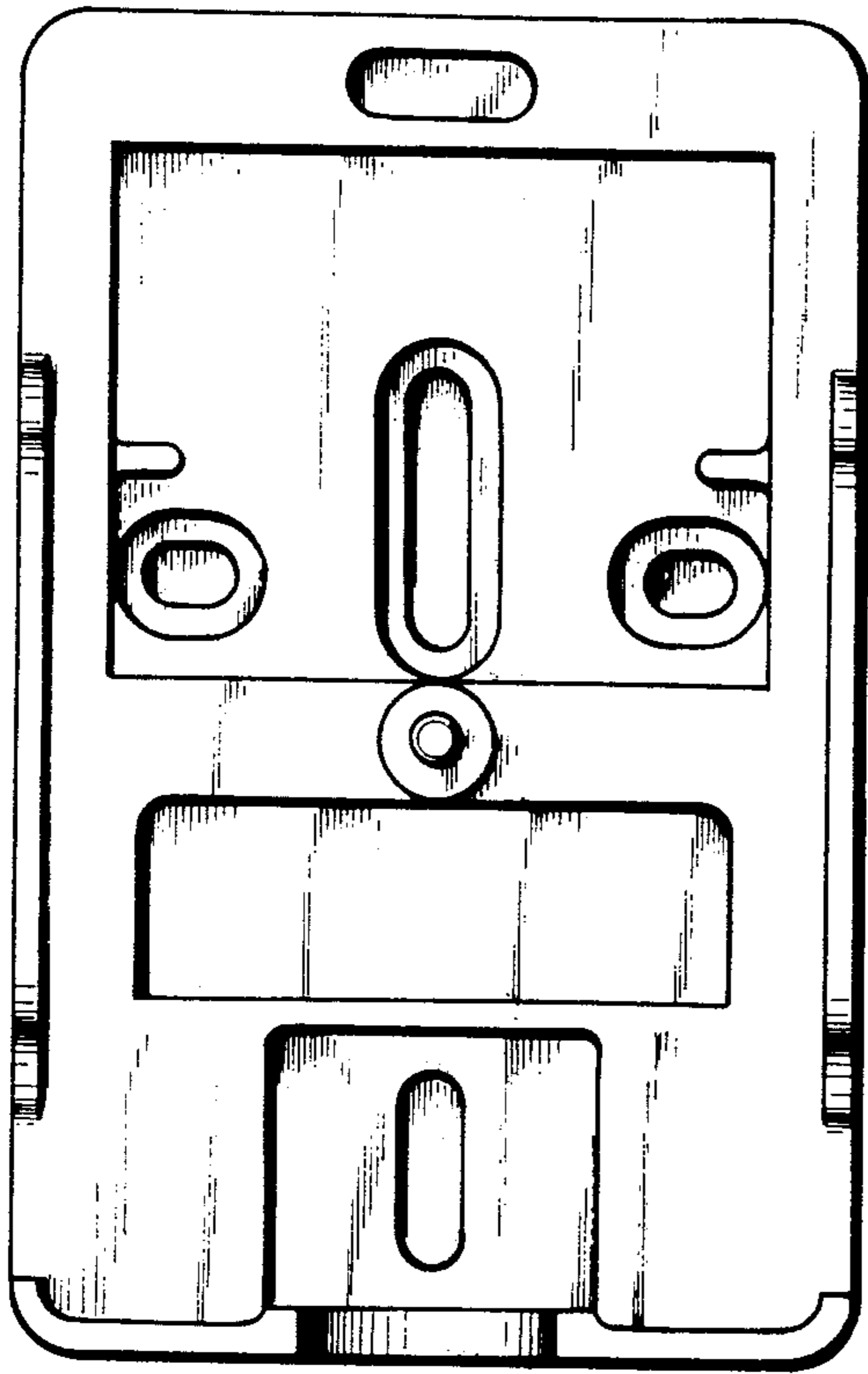


FIG. 1

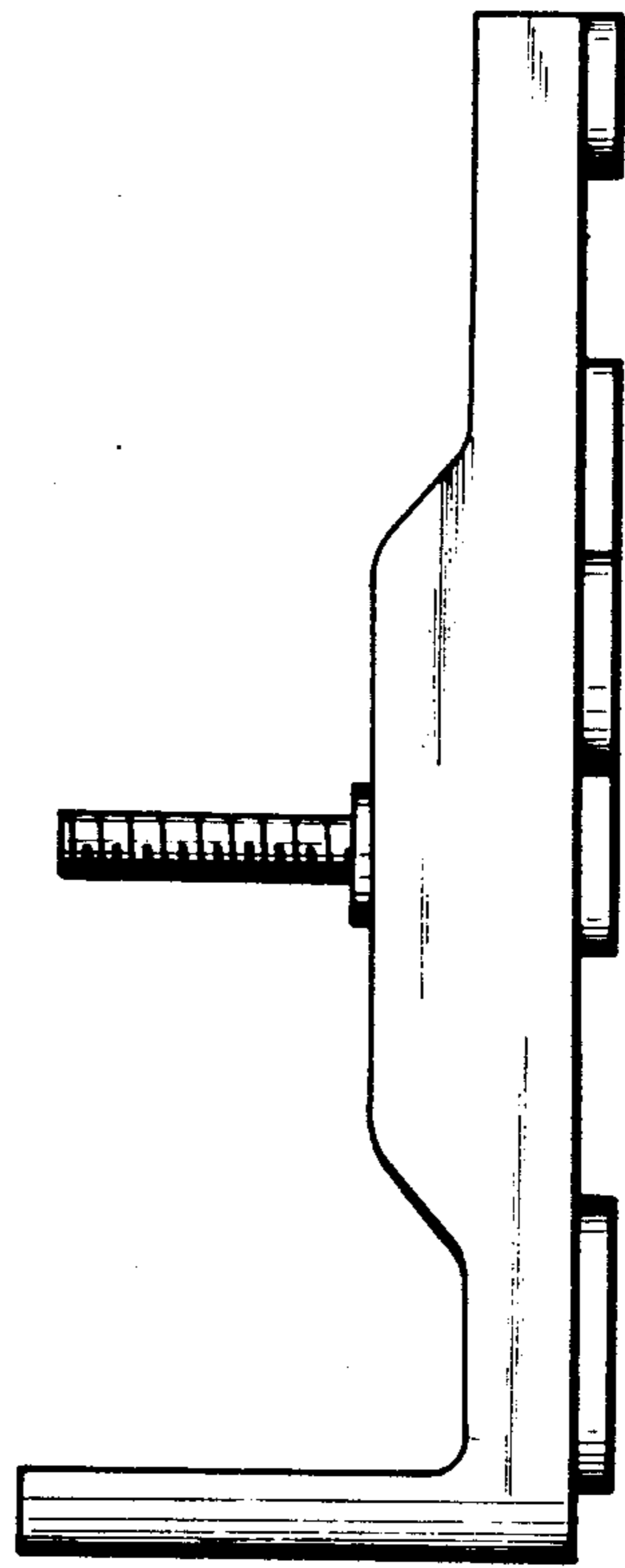


FIG. 2

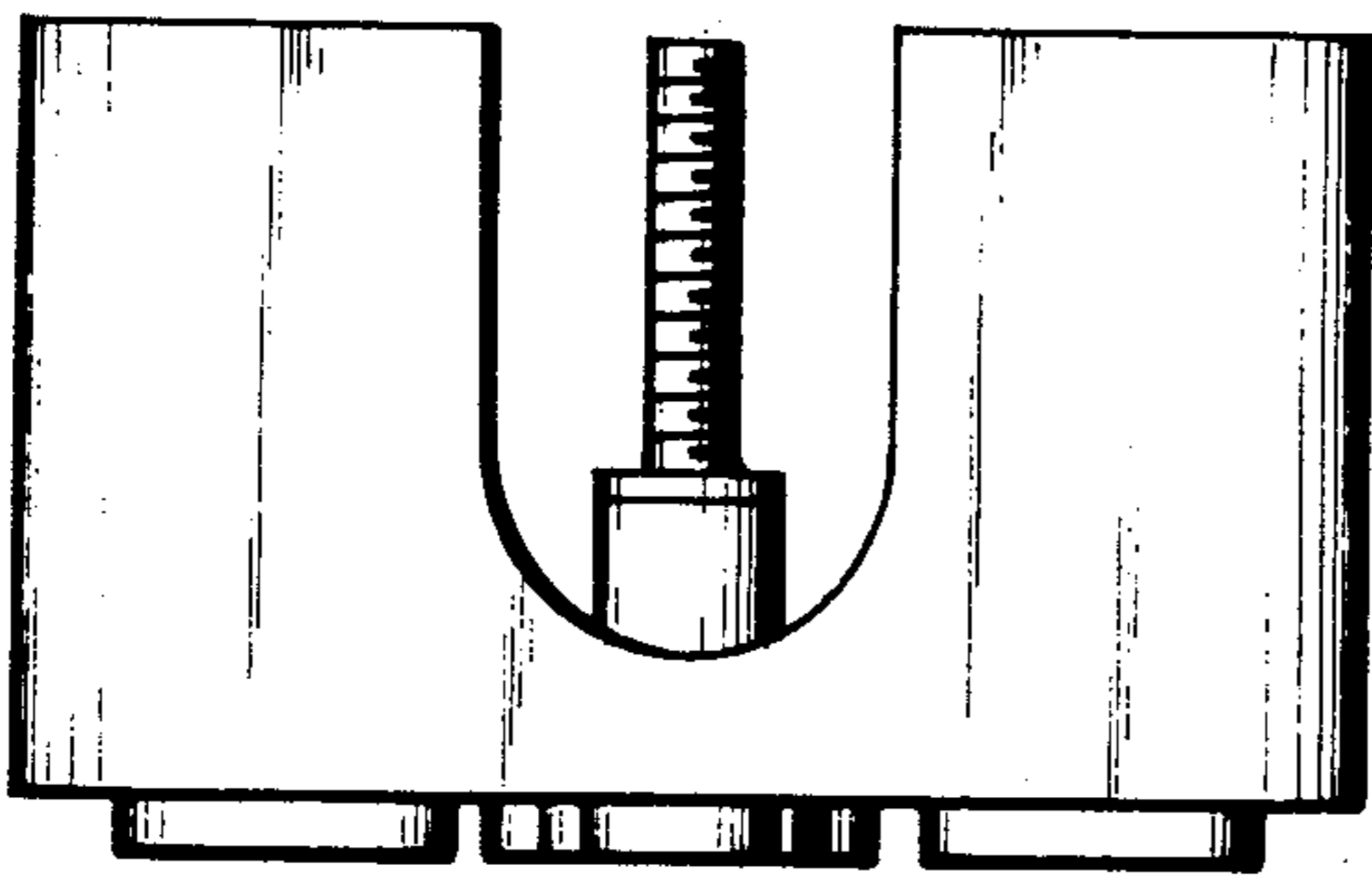


FIG. 4

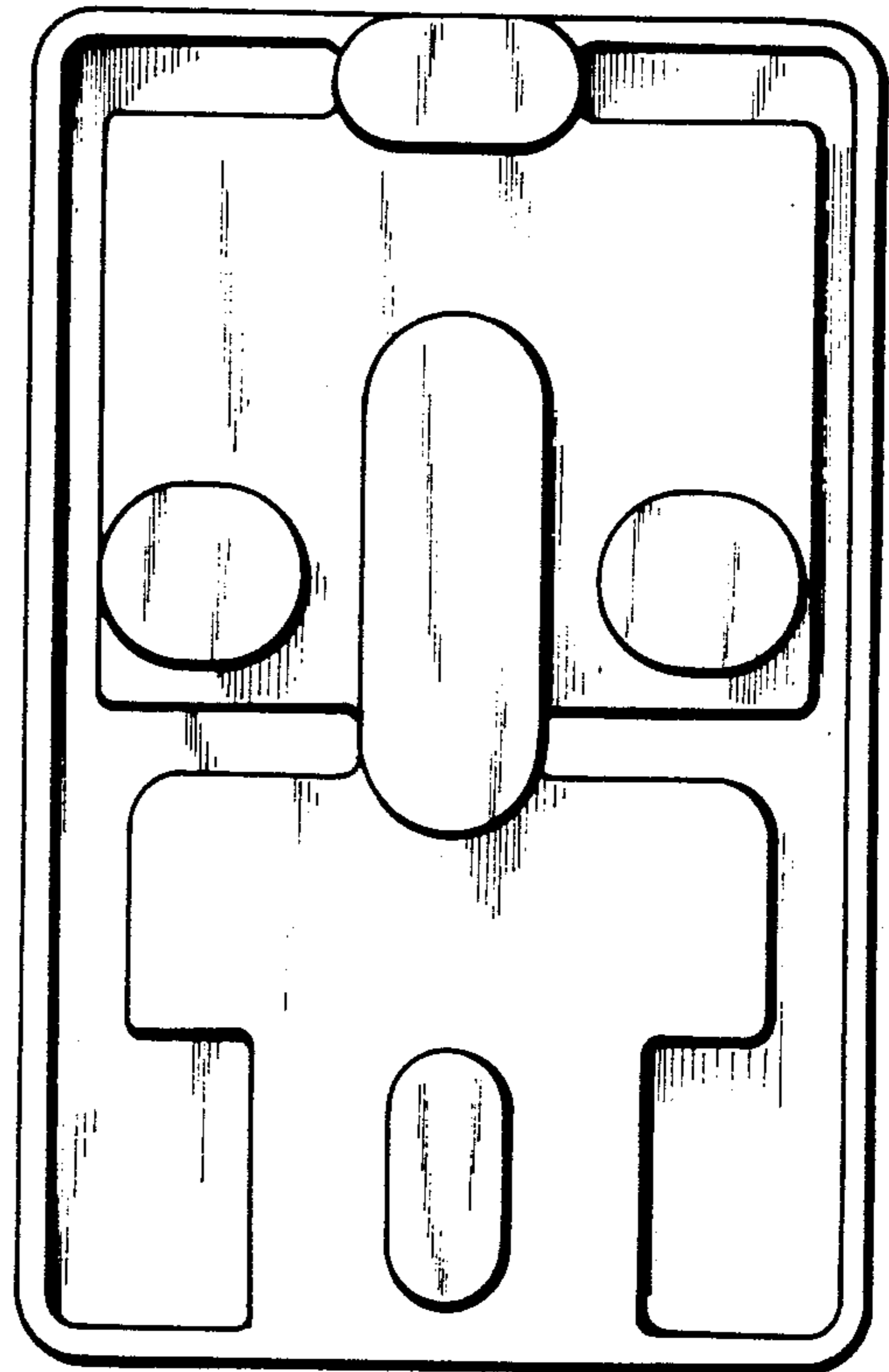


FIG. 3

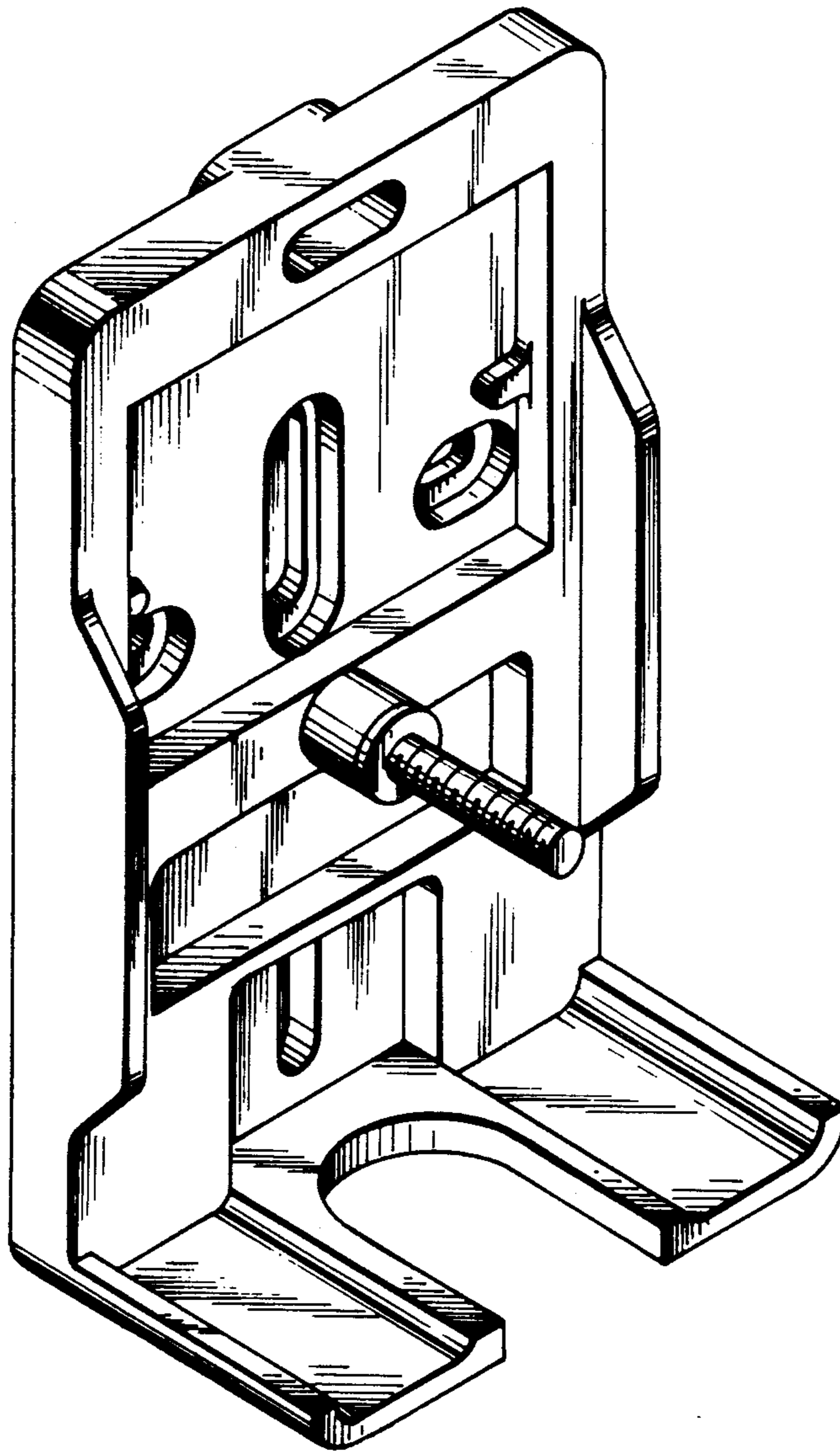


FIG.5