

[54] ALARM SIGNAL TRANSMITTER

[76] Inventor: **Kim Kim**, 3450 Wilshire Blvd., Los Angeles, Calif. 90010

[\*\*] Term: **14 Years**

[21] Appl. No.: **851,550**

[22] Filed: **Nov. 14, 1977**

[51] Int. Cl. .... **D10-05; D13-03**

[52] U.S. Cl. .... **D10/121; D13/41**

[58] Field of Search ..... **D10/104, 106, 121; D13/40, 41; 340/577, 579, 584, 586, 593, 594, 628, 629, 632, 541, 542, 545, 546, 565, 566, 208, 201 R, 191, 181, 345, 346**

[56] **References Cited**

**U.S. PATENT DOCUMENTS**

- D. 214,909 8/1969 Brefka ..... D13/40
- D. 240,410 7/1976 Fujiwara ..... D10/106

**OTHER PUBLICATIONS**

Moutain West Alarm Supply Co. Cat., p. 3, L4-002 Alarm Transmitter.

*Primary Examiner*—Susan J. Lucas  
*Attorney, Agent, or Firm*—John B. Young

[57] **CLAIM**

The ornamental design for an alarm signal transmitter, as shown and described.

**DESCRIPTION**

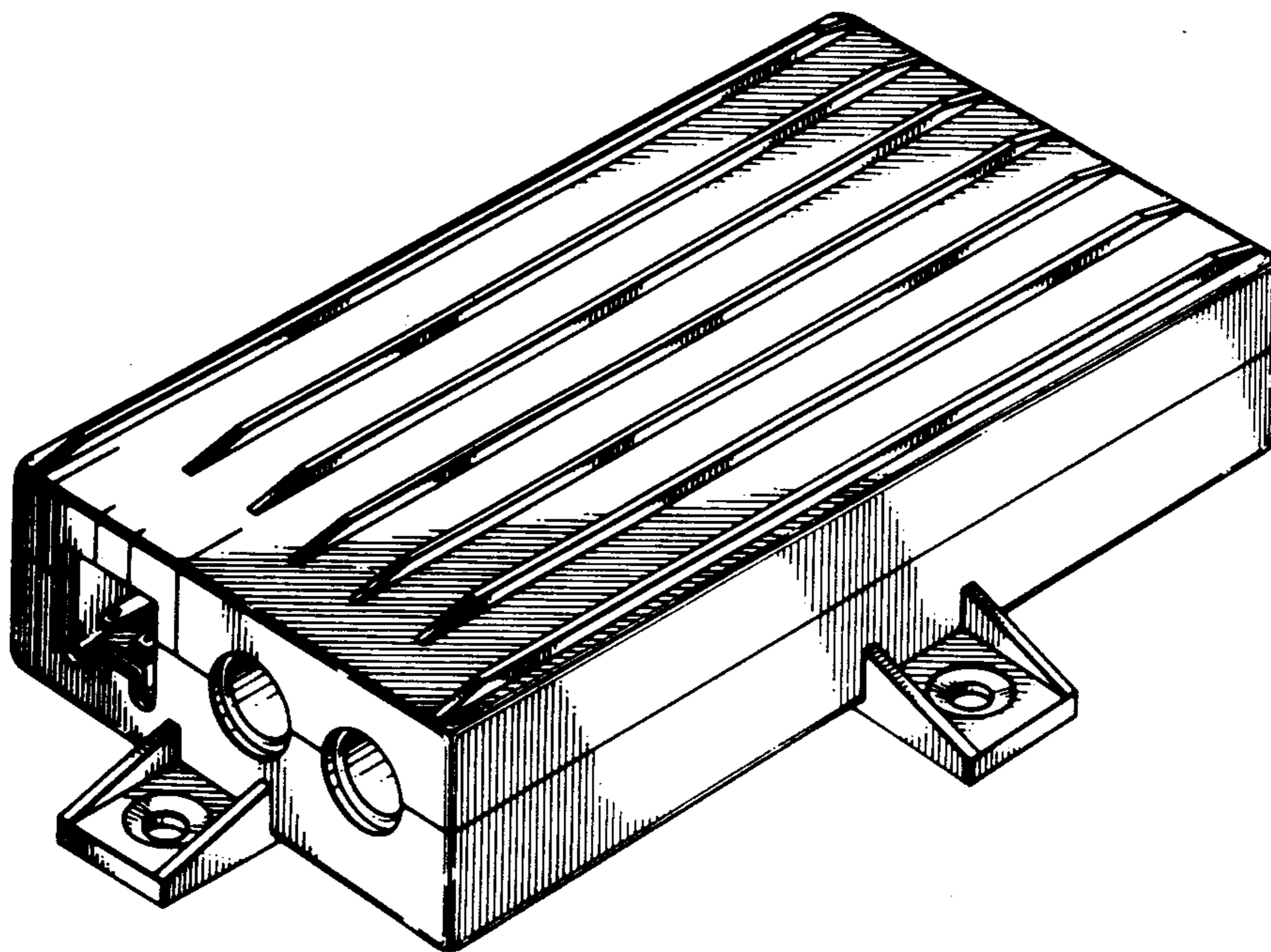
FIG. 1 is a top, front perspective view of the alarm signal transmitter showing my new design.

FIG. 2 is a top, rear perspective view of the transmitter.

FIG. 3 is a side view of the transmitter on a reduced scale from FIGS. 1 and 2.

FIG. 4 is an end view of the transmitter on the same reduced scale as FIG. 3.

FIG. 5 is a bottom view of the transmitter on the same reduced scale as FIG. 3.



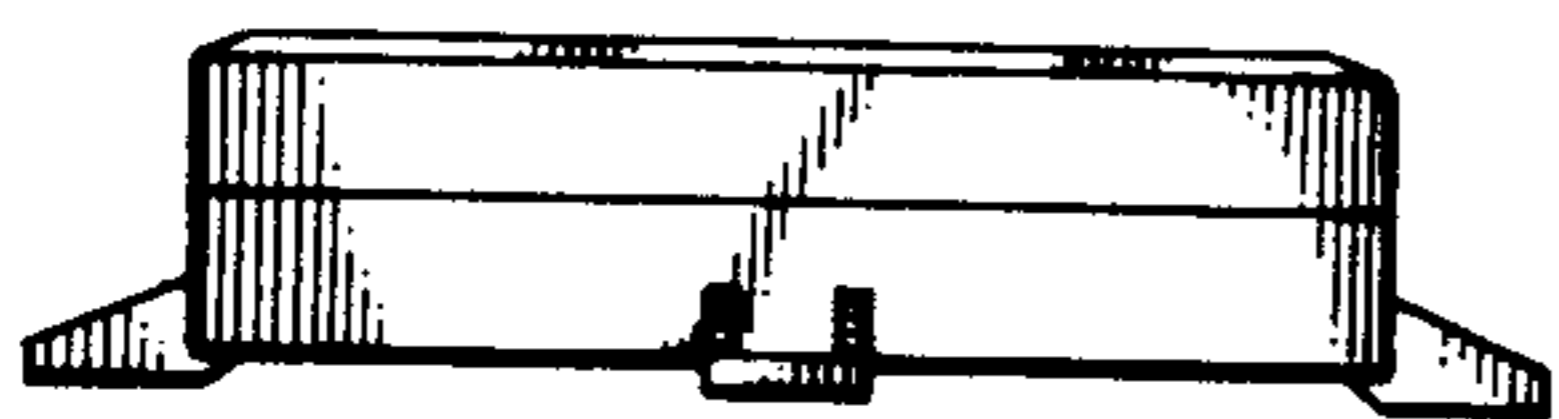


FIG. 3

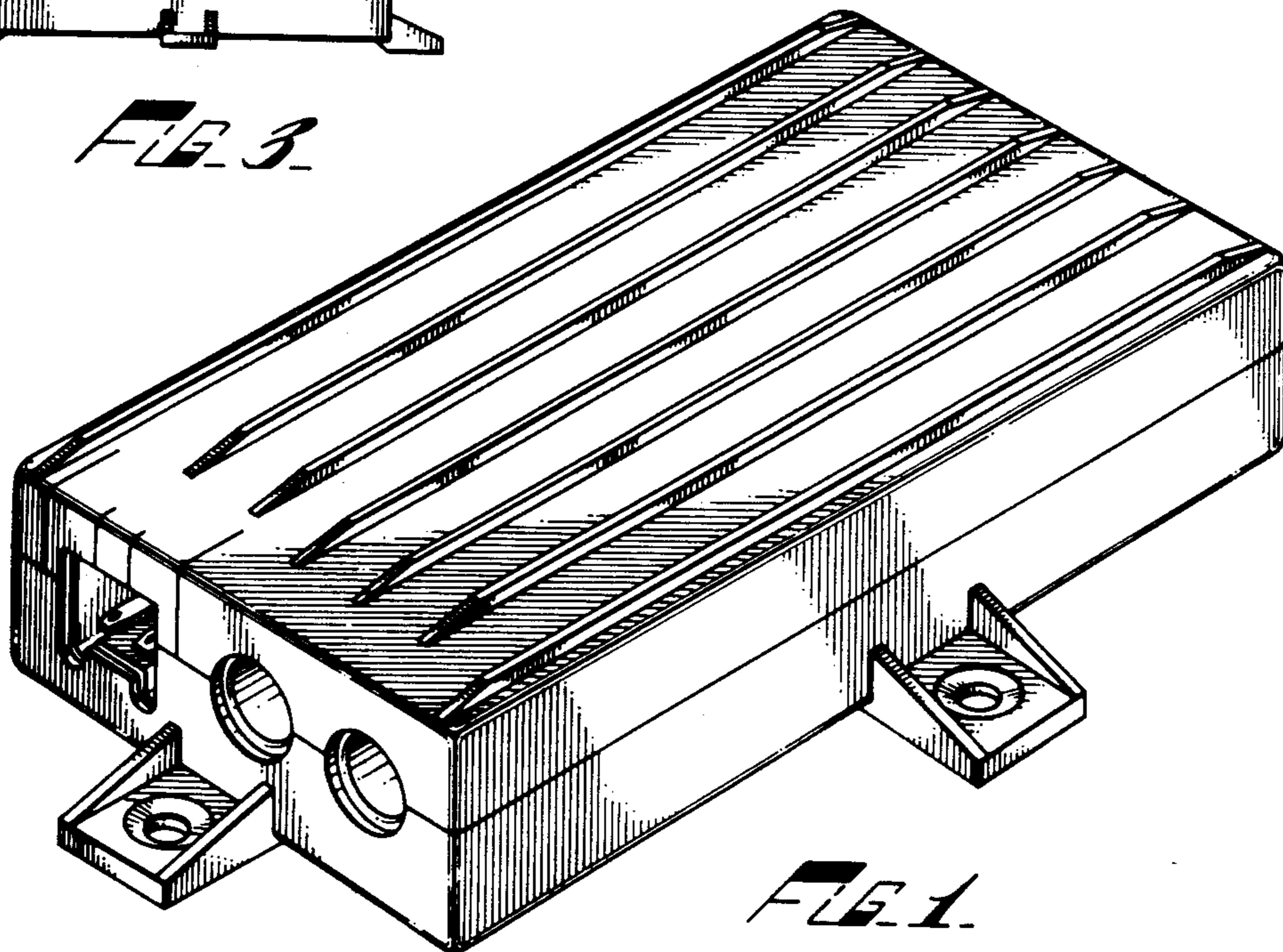


FIG. 1



FIG. 4

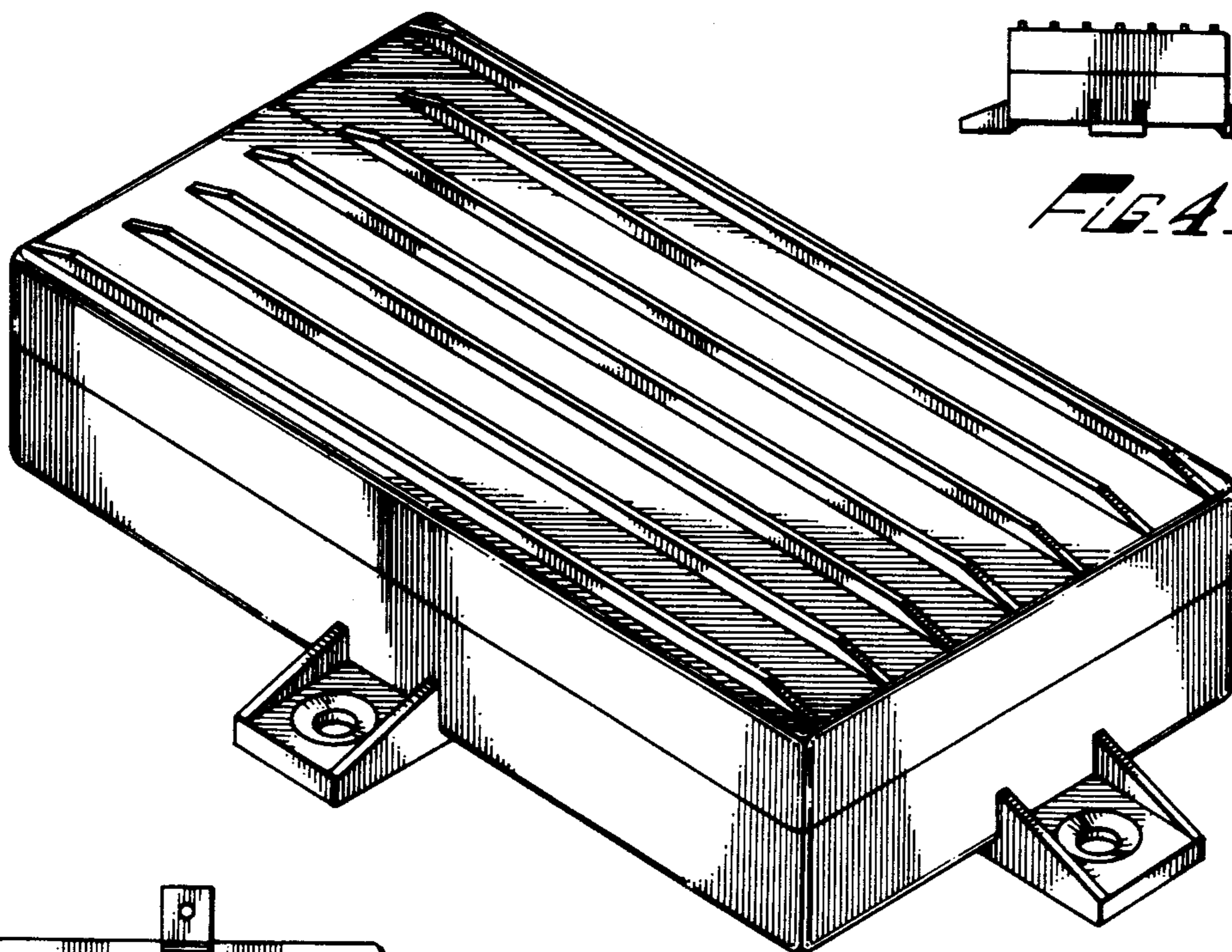


FIG. 2

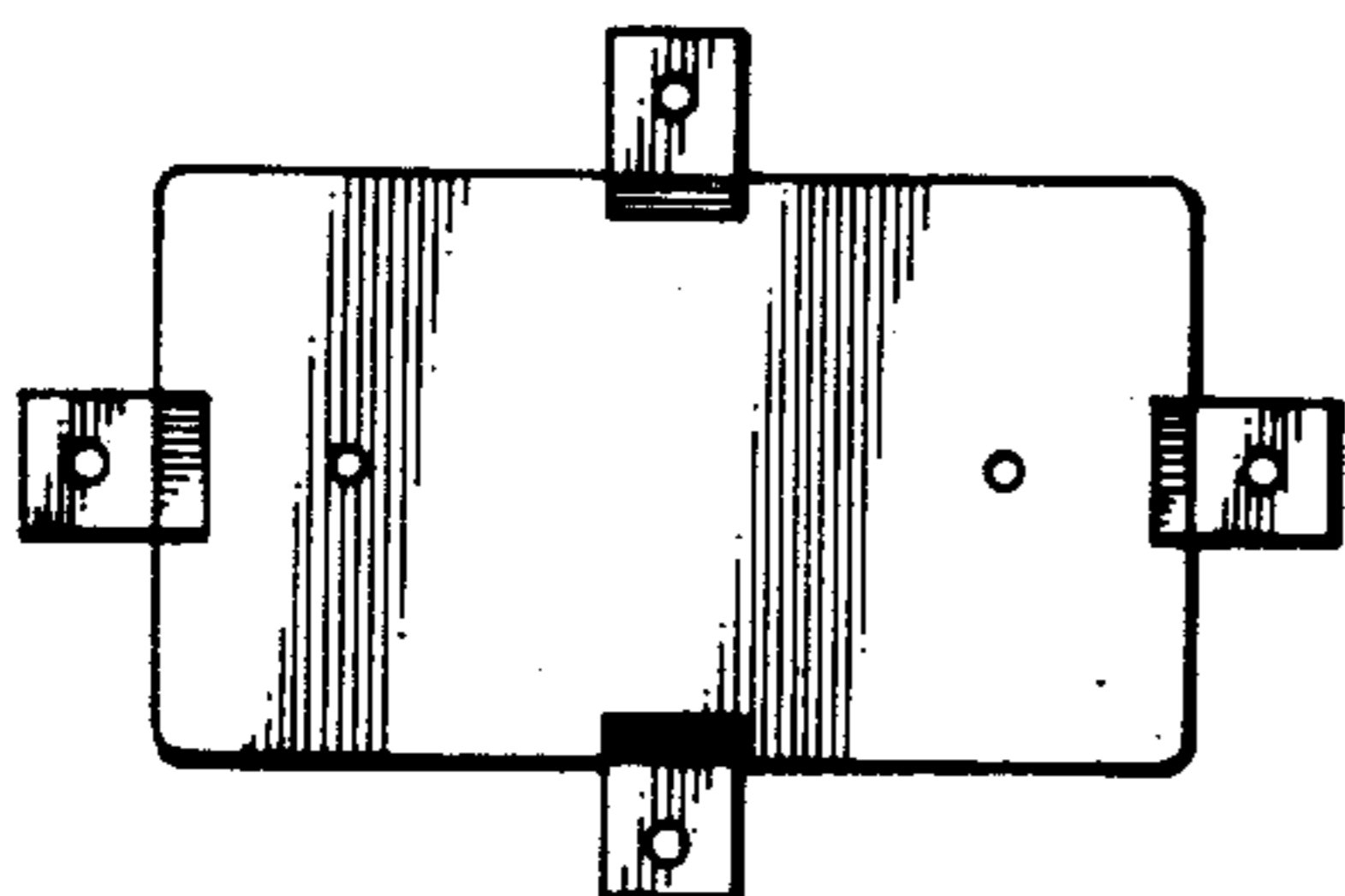


FIG. 5