

- [54] **BOAT BUOY HOOK**
- [75] **Inventor:** Einar Hernsjö, Stockholm, Sweden
- [73] **Assignee:** Heller AG
- [\*\*] **Term:** 14 Years
- [21] **Appl. No.:** 835,289
- [22] **Filed:** Sep. 21, 1977
- [30] **Foreign Application Priority Data**  
Mar. 25, 1977 [SE] Sweden ..... 770677
- [51] **Int. Cl.** ..... D8-99
- [52] **U.S. Cl.** ..... D8/370; D8/367;  
D8/372
- [58] **Field of Search** ..... D8/354, 367, 370 X,  
D8/382, 371, 372; D12/70; 43/7; 114/221 R,  
230, 219, 220; 24/230.5

- [56] **References Cited**  
**U.S. PATENT DOCUMENTS**  
D. 33,551 11/1900 Kemether ..... D8/370  
D. 224,757 9/1972 Bolen, Jr. .... D8/372  
D. 248,012 5/1978 Rensen ..... D8/372  
2,811,127 10/1957 Paison ..... D8/372 X

*Primary Examiner*—A. Hugo Word  
*Attorney, Agent, or Firm*—Eric H. Waters

[57] **CLAIM**

The ornamental design for a boat buoy hook, as shown.

**DESCRIPTION**

FIG. 1 is a perspective view of my new boat buoy hook  
FIG. 2 is a side view of my new boat buoy hook  
FIG. 3 is a top view of my new boat buoy hook  
FIG. 4 is a right-end view of my new boat buoy hook  
FIG. 5 is a left-end view of my new boat buoy hook.

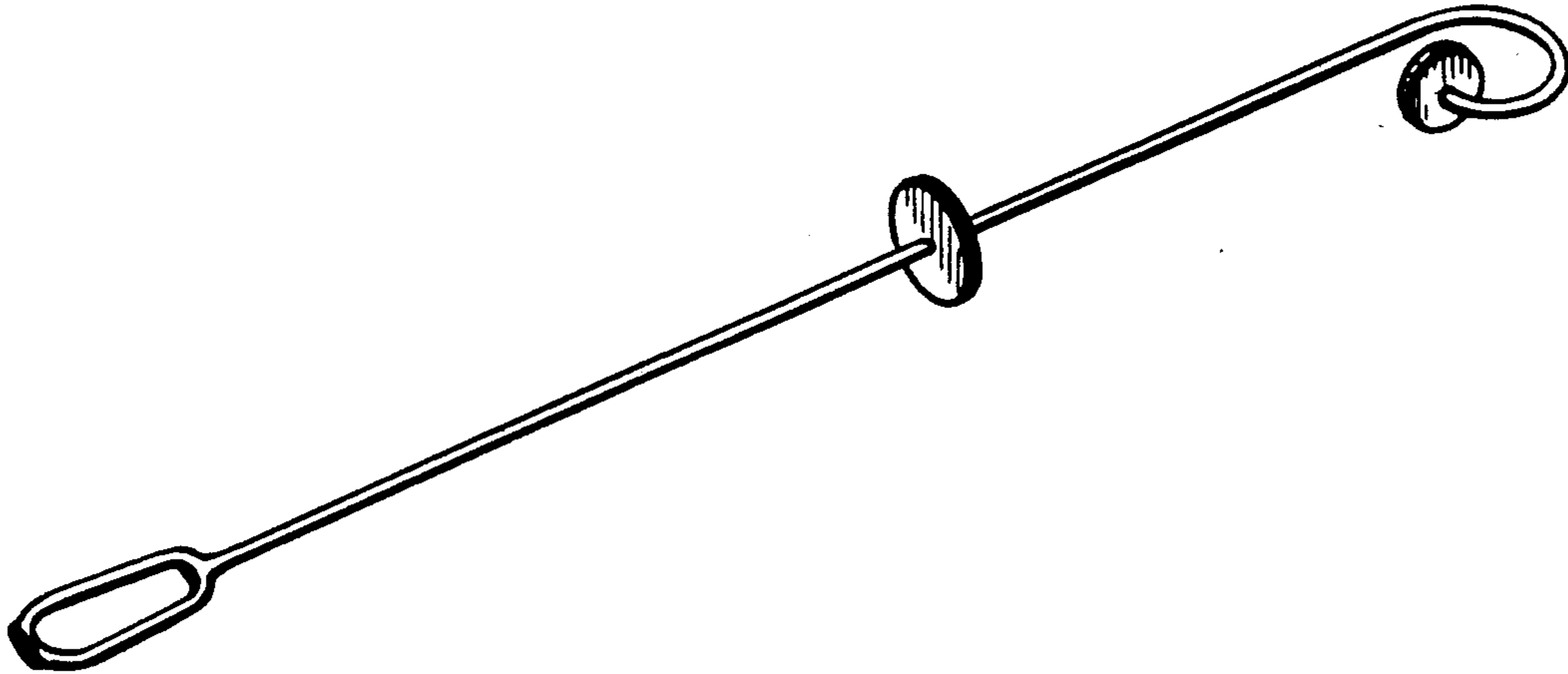


FIG. 1

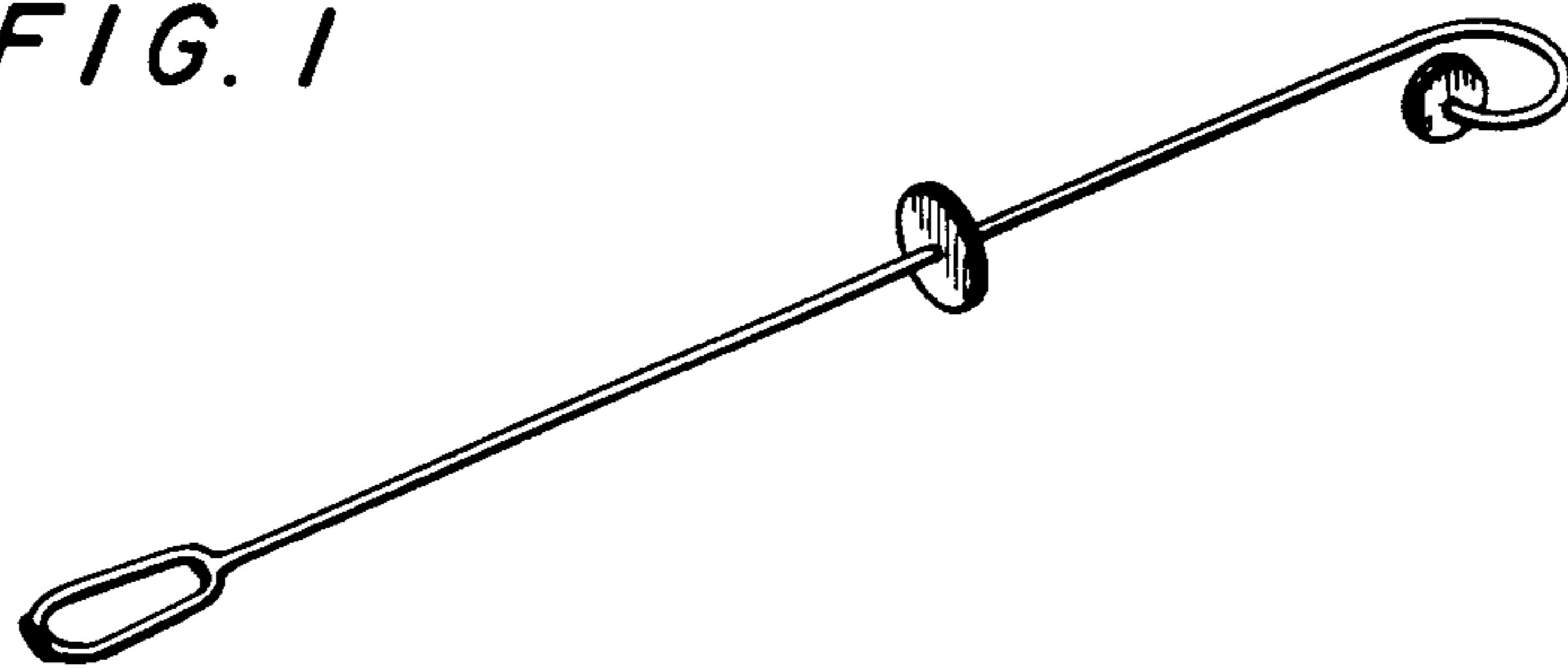


FIG. 2

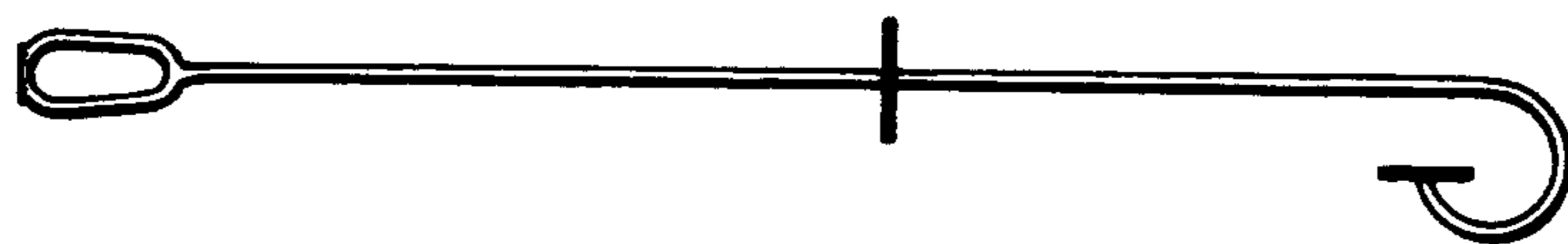


FIG. 3



FIG. 4



FIG. 5

