

[54] VERTICALLY-MOUNTED HOLDER

[76] Inventor: William H. Alburty, 2309 W. 95th St.,
Leawood, Kans. 66206

[**] Term: 14 Years

[21] Appl. No.: 890,829

[22] Filed: Mar. 27, 1978

[51] Int. Cl. D6-04

[52] U.S. Cl. D6/114; D6/130

[58] Field of Search D6/114, 116, 120, 124,
D6/125, 129, 130, 132, 137, 188, 134, 136;
211/60 R, 87, 90, 13; 248/309 R, 310, 311.1,
312, 315

[56] References Cited

U.S. PATENT DOCUMENTS

D. 154,025	6/1949	Crull	D6/188
D. 243,298	2/1977	Taubman	D6/136
D. 246,726	12/1977	Fox	D6/130
2,613,817	10/1952	Kenney	211/13

Primary Examiner—Wallace R. Burke

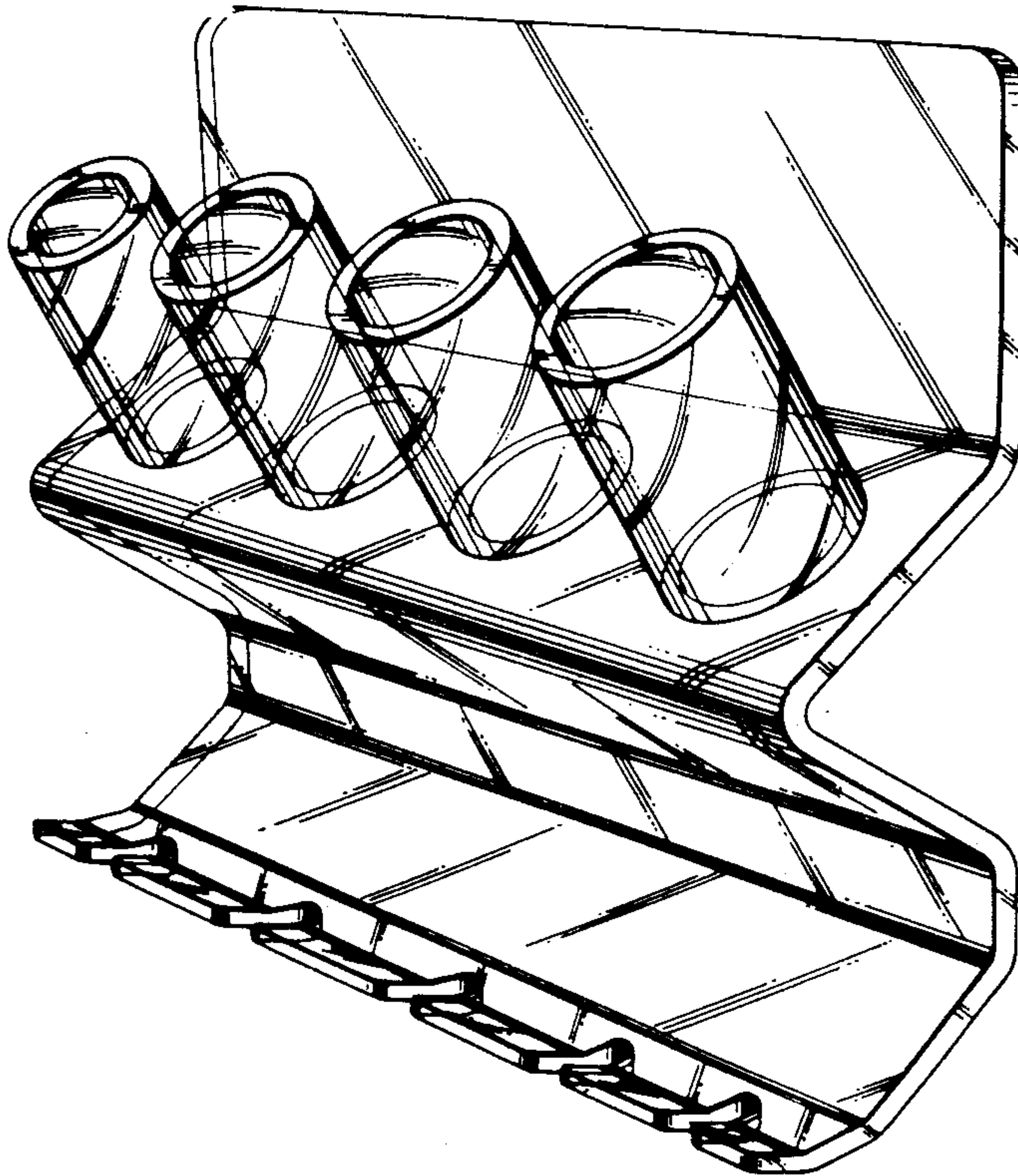
Assistant Examiner—B. J. Bullock

[57] CLAIM

The ornamental design for a vertically mounted holder,
as shown and described.

DESCRIPTION

FIG. 1 is a front right perspective view of a vertically
mounted holder showing my new design;
FIG. 2 is a front elevational view thereof;
FIG. 3 is a side elevational view taken from the right of
FIG. 2, the side opposite being a mirror image thereof;
FIG. 4 is a sectional view taken in the direction of the
arrows on line 4—4 of FIG. 2.



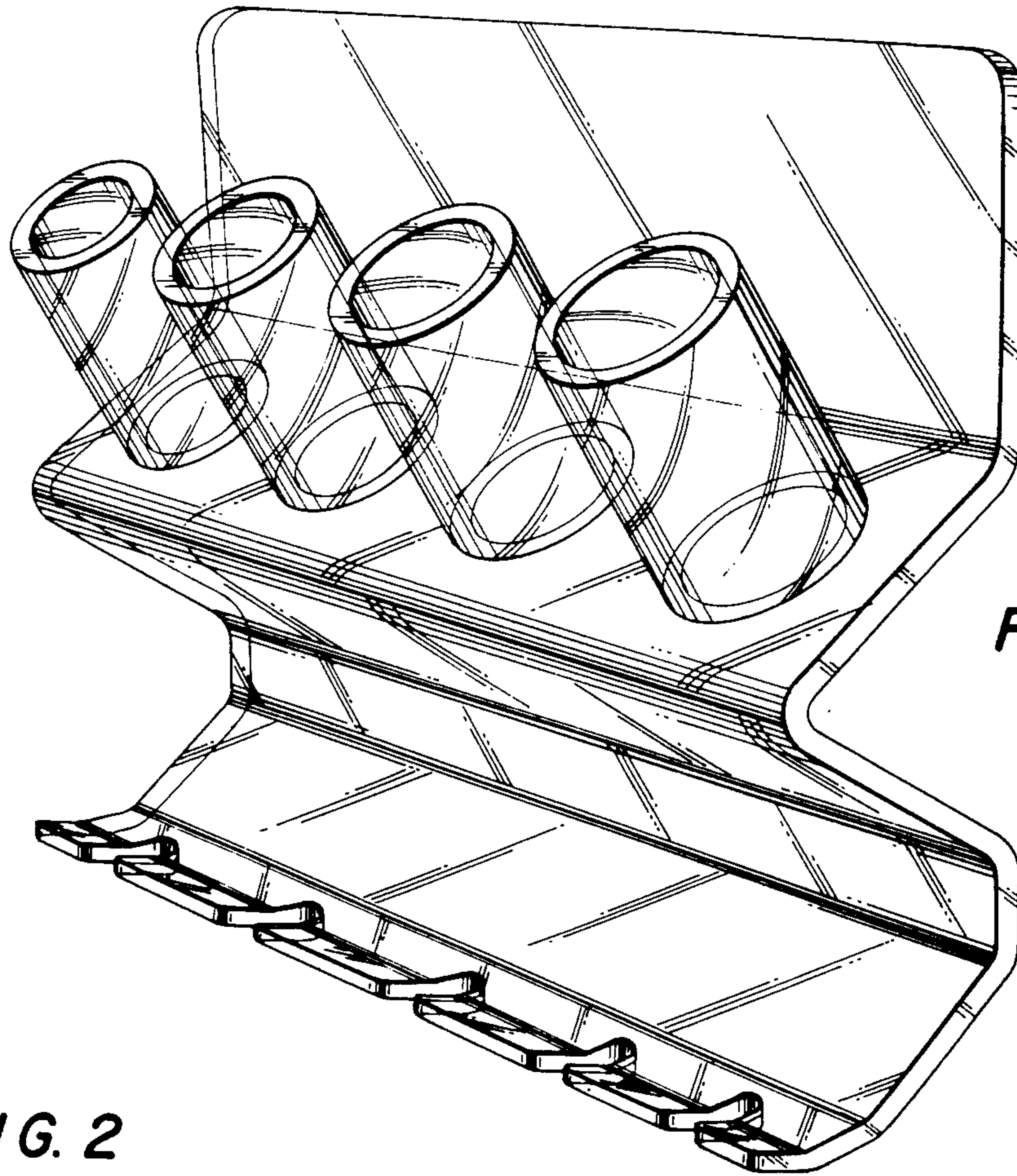


FIG. 1

FIG. 2

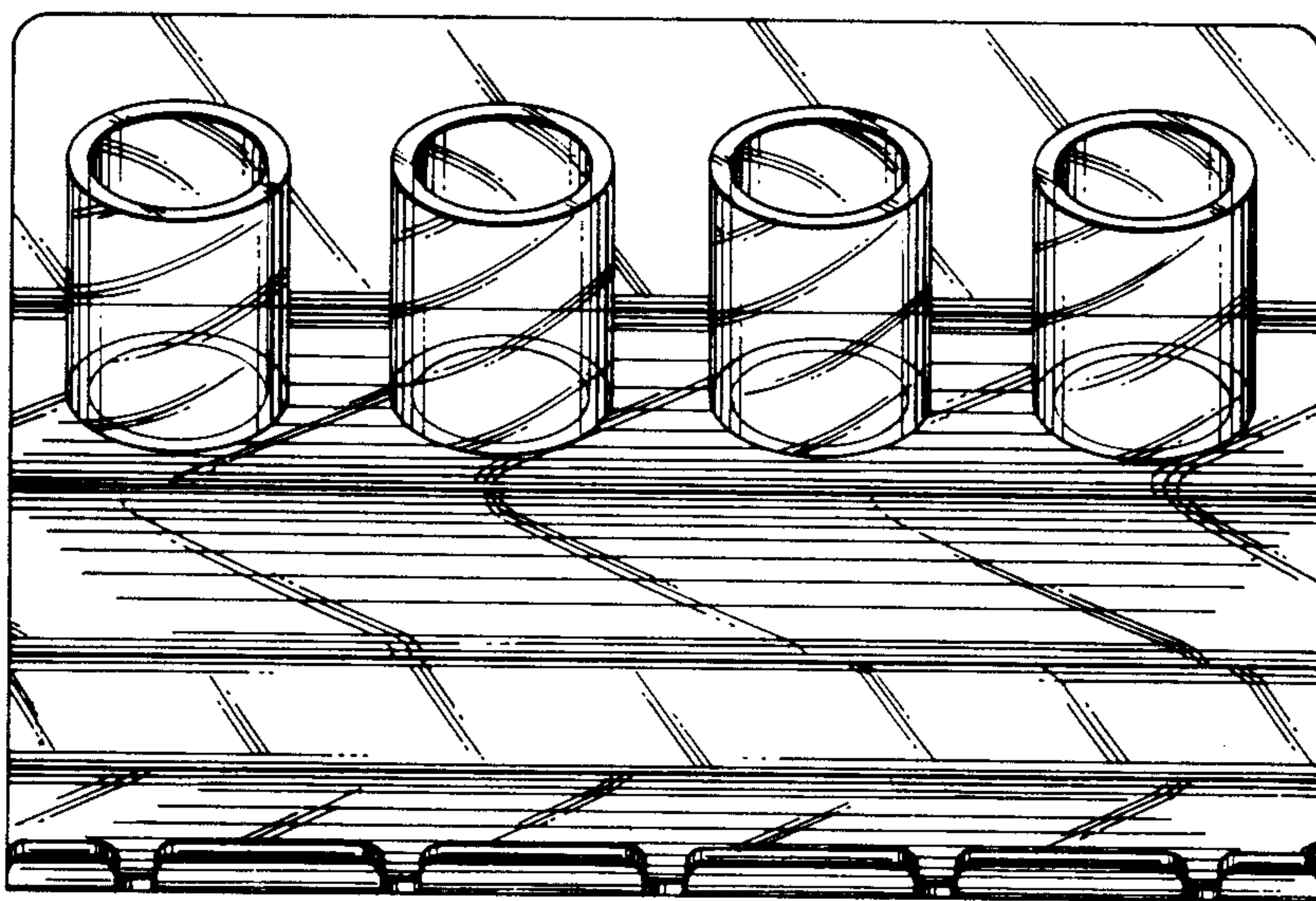
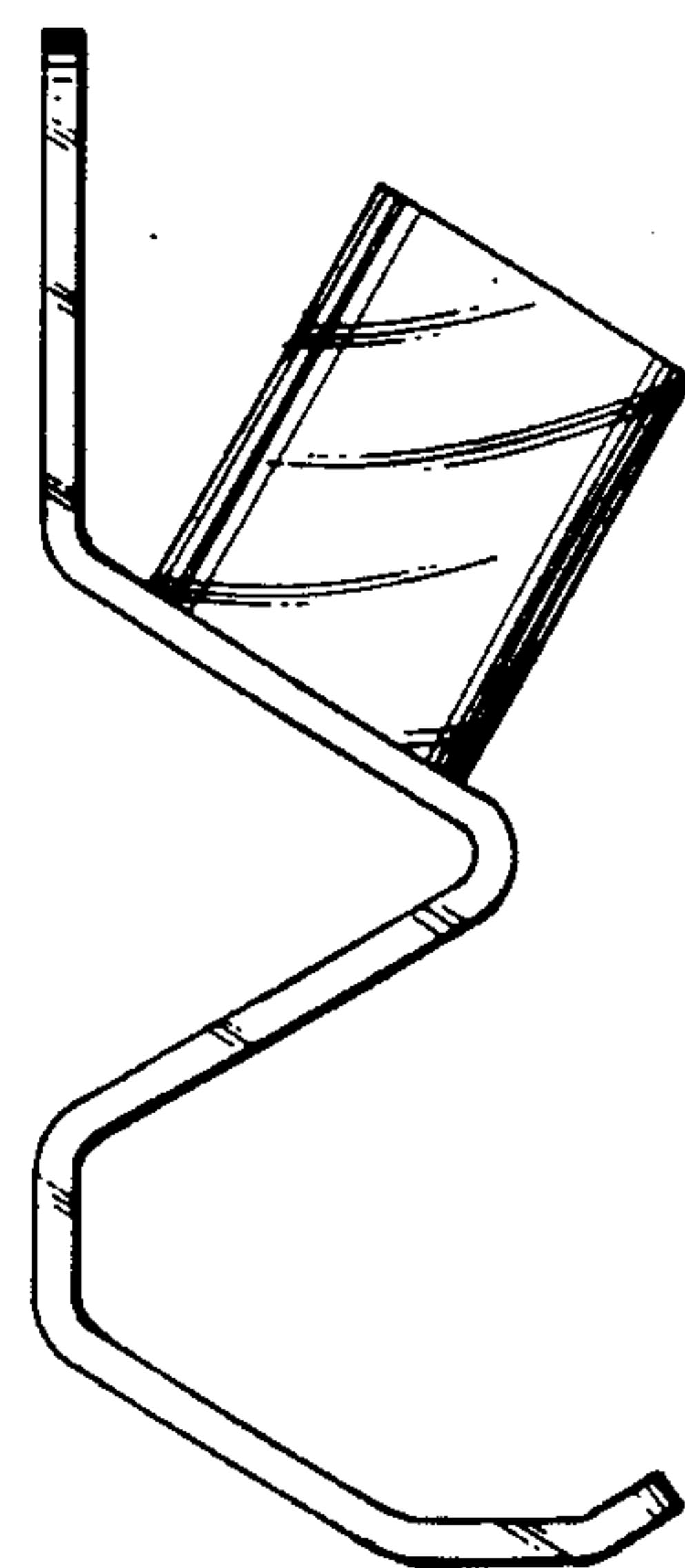


FIG. 3



4

4

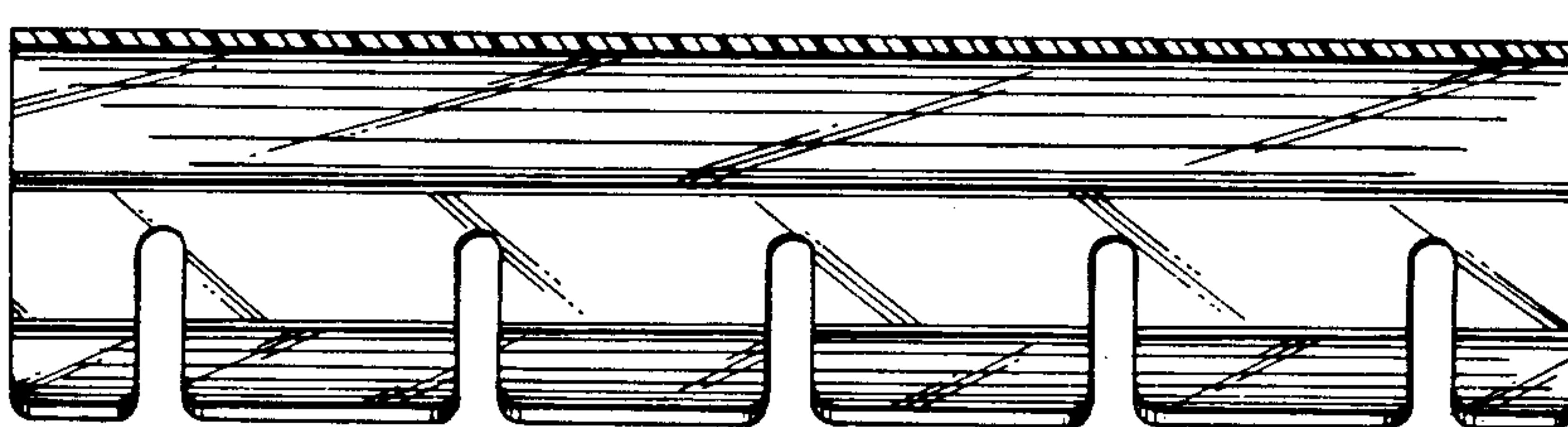


FIG. 4