

[54] **DISPLAY STAND OR THE LIKE**
 [76] Inventor: **Hillard M. Avery, R.R. 3, Box 140A, Morgantown, Ind. 46160**
 [**] Term: **14 Years**
 [21] Appl. No.: **835,246**
 [22] Filed: **Sep. 21, 1977**
 [51] Int. Cl. **D20-02; D6-01**
 [52] U.S. Cl. **D6/32; D6/146; D6/177**
 [58] Field of Search **D6/32, 85, 146-149, D6/177; 297/175, 176**

D. 236,673 9/1975 Ehrman D6/149
 D. 240,871 8/1976 Herman D6/32

Primary Examiner—Bernard Ansher
Assistant Examiner—B. J. Bullock
Attorney, Agent, or Firm—Thomas P. Jenkins

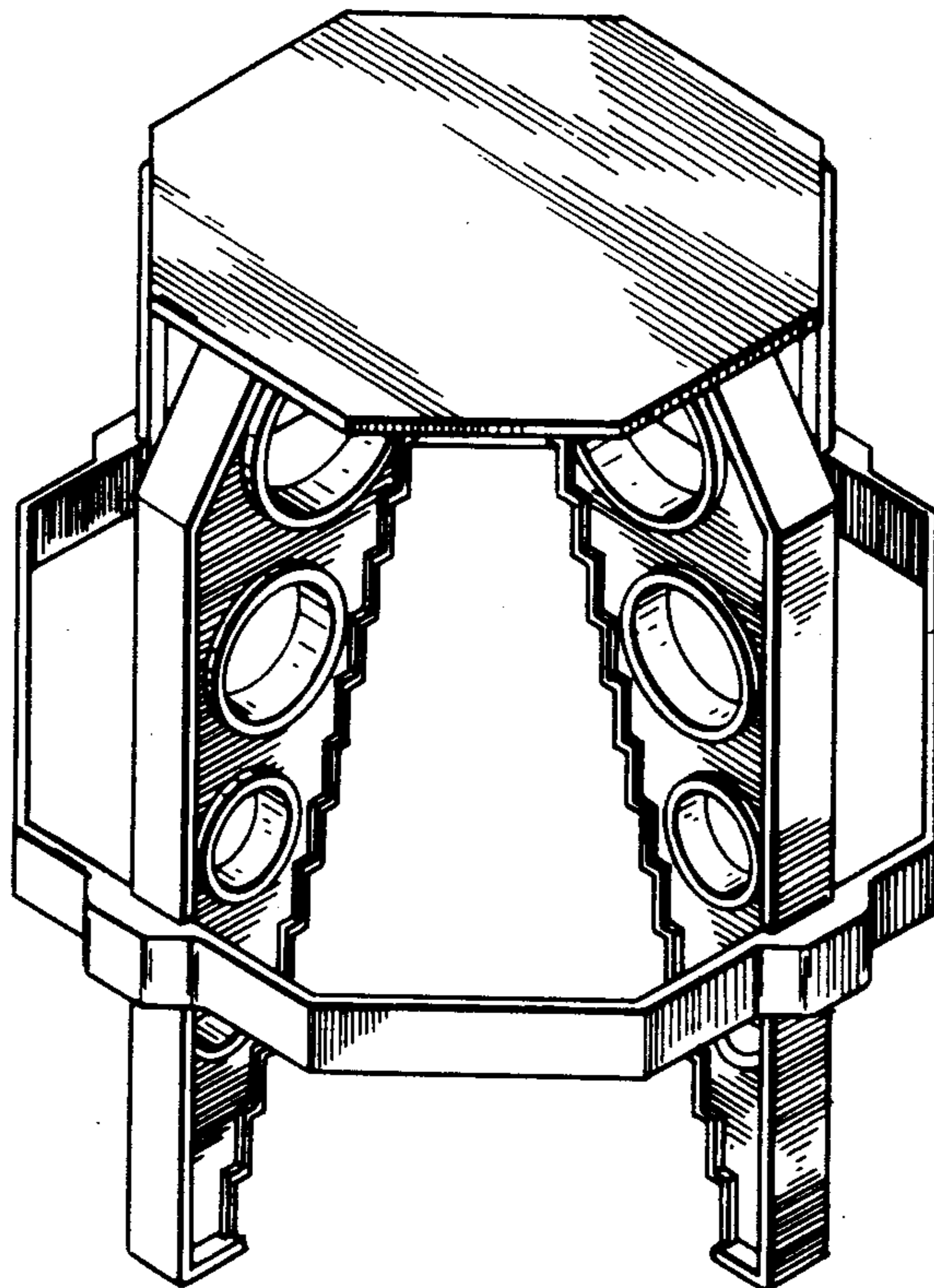
[57] **CLAIM**

The ornamental design for a display stand or the like, substantially as shown and described.

DESCRIPTION

FIG. 1 is a side perspective view of a display stand or the like showing my new design;
 FIG. 2 is a top plan view thereof;
 FIG. 3 is a front elevational view, the rear being identical;
 FIG. 4 is a side elevational view taken from the left of FIG. 1; and
 FIG. 5 is a bottom plan view thereof.

[56] **References Cited**
U.S. PATENT DOCUMENTS
 D. 106,780 11/1937 Bentz D6/32
 D. 132,105 4/1942 Peterson D6/32



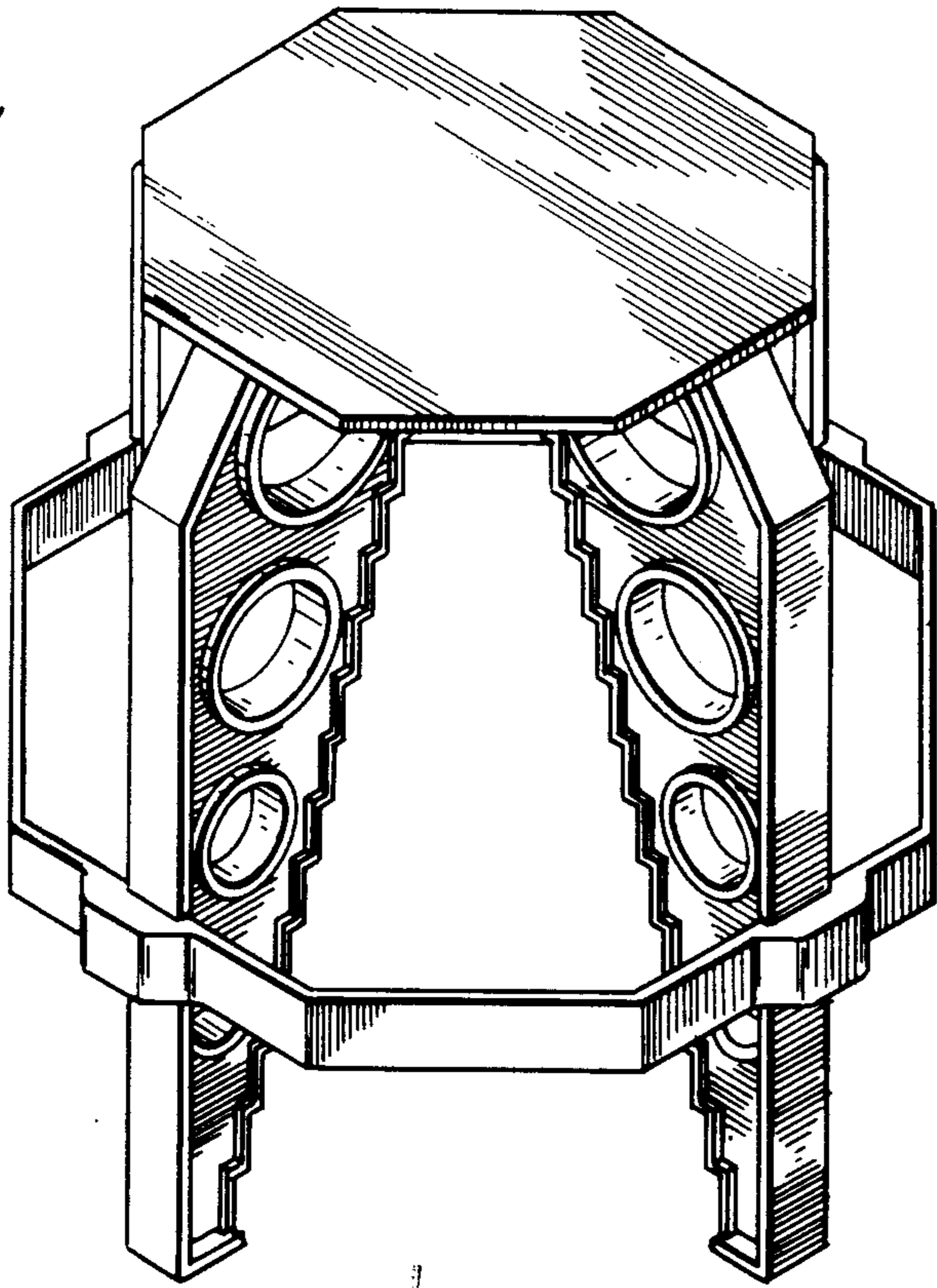


Fig. 1

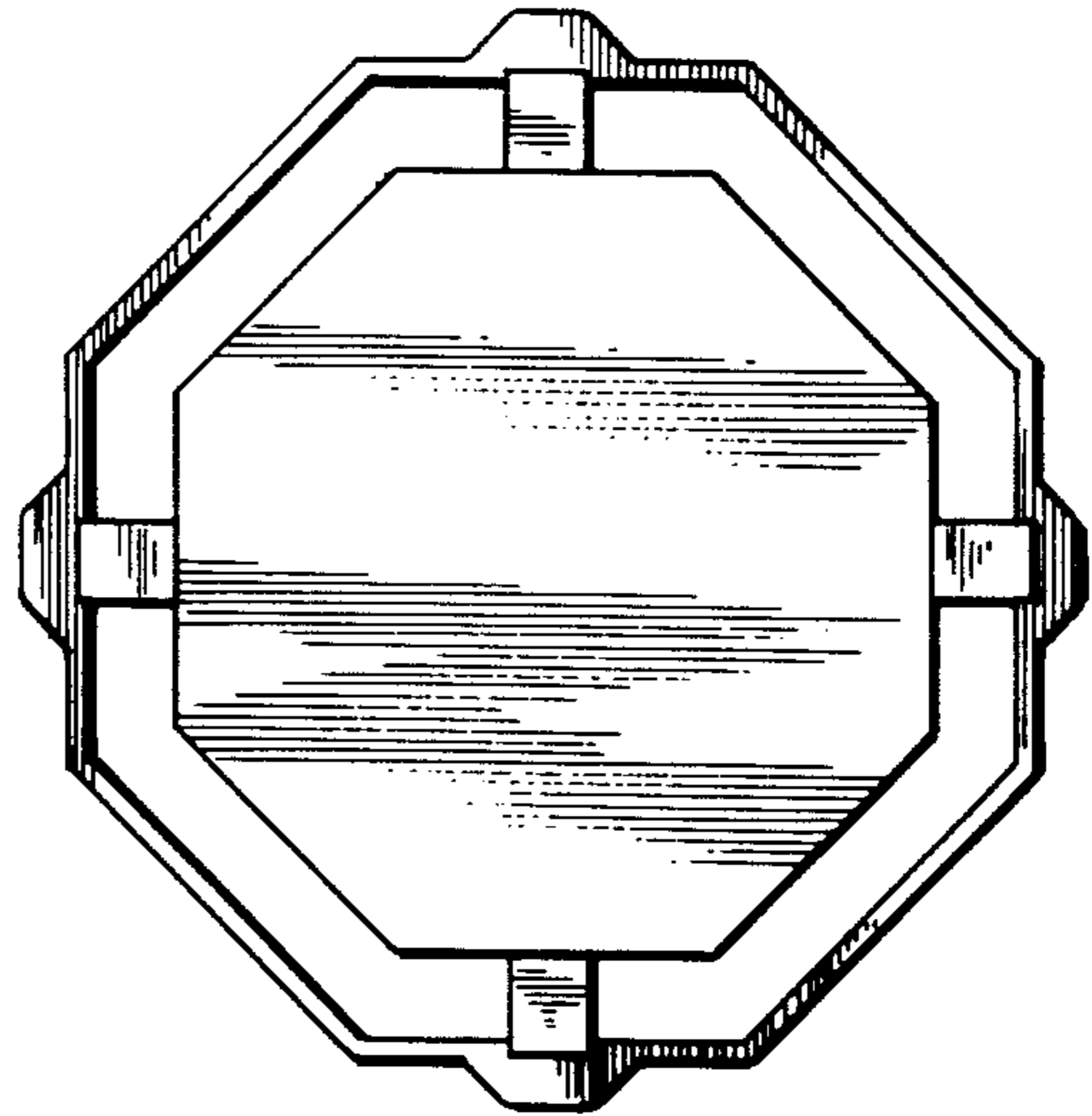


Fig. 2

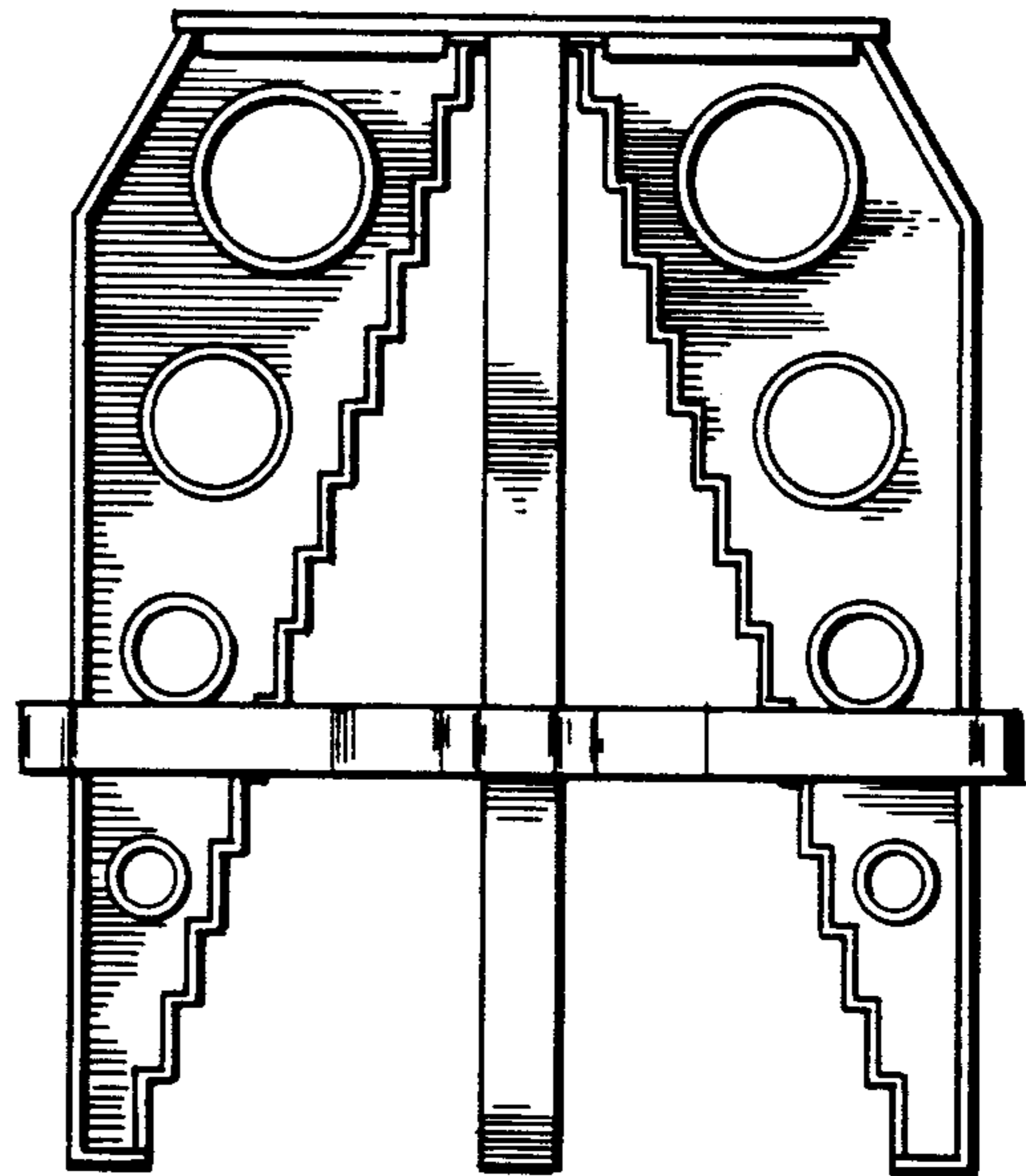


Fig. 3

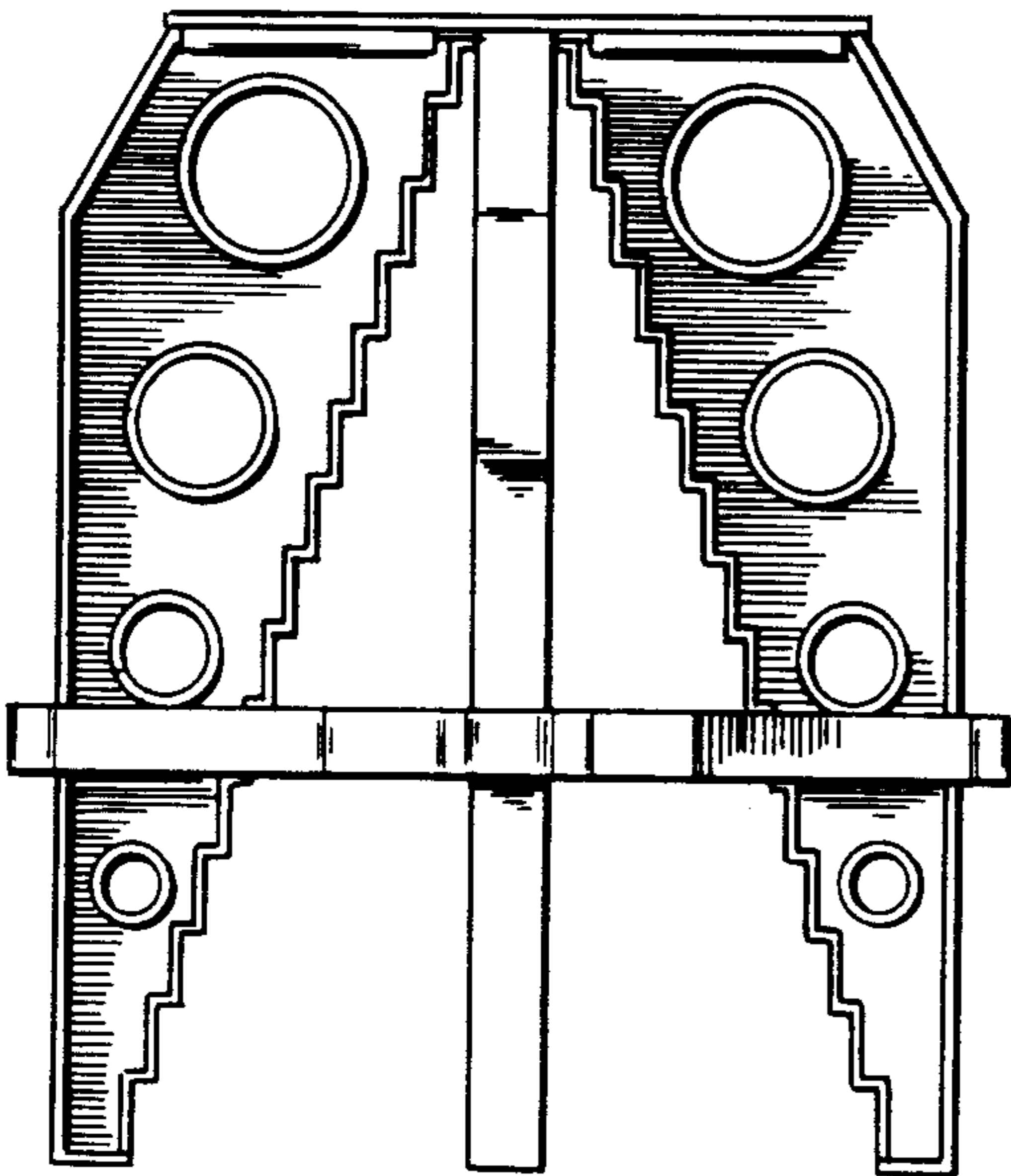


Fig. 4

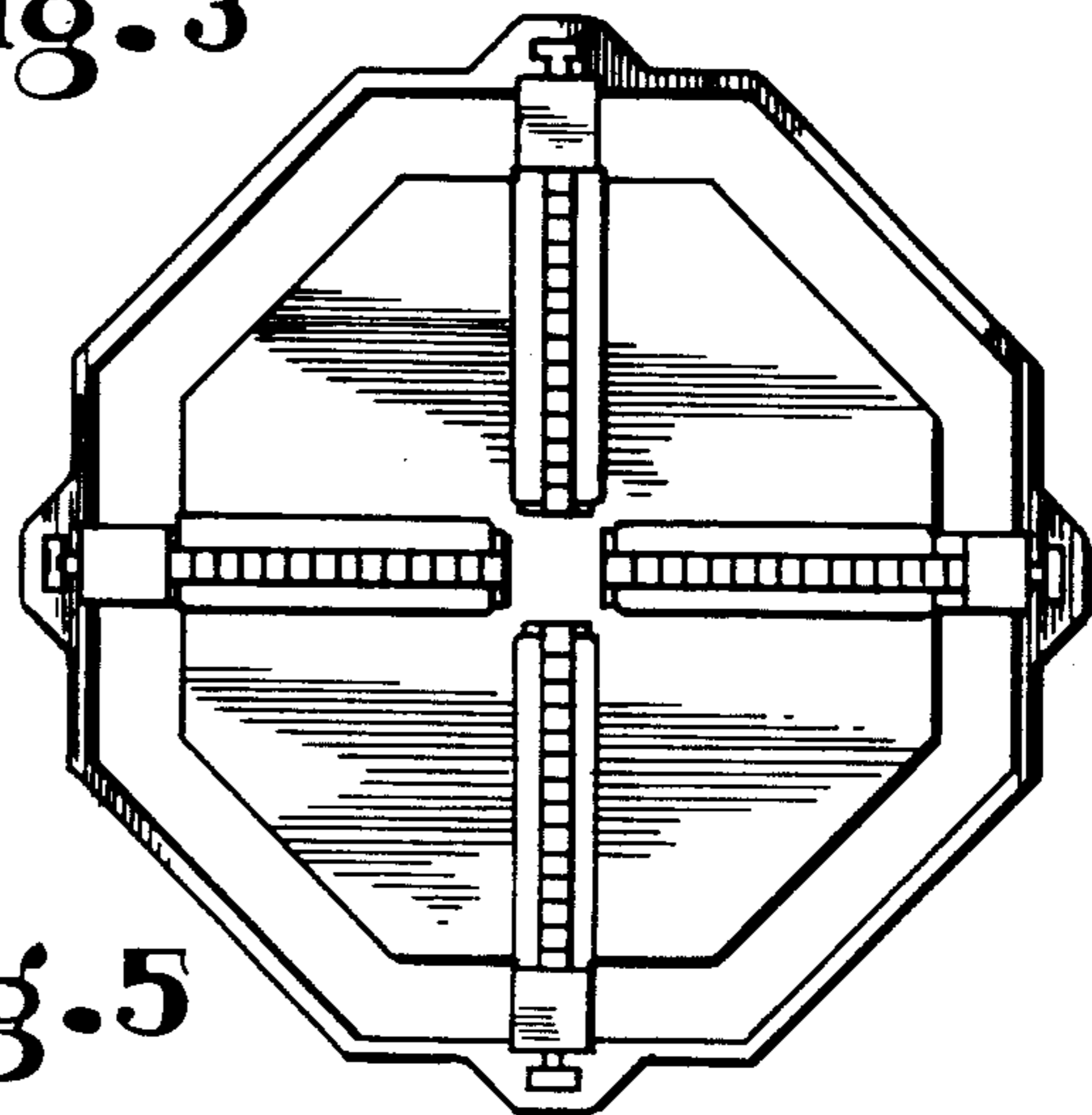


Fig. 5