

[54] PISTOL GRIP HAIR DRYER

[75] Inventor: William J. Rakocy, Nutley, N.J.

[73] Assignee: North American Philips Corporation, New York, N.Y.

[**] Term: 14 Years

[21] Appl. No.: 784,534

[22] Filed: Apr. 4, 1977

[51] Int. Cl. D28-03

[52] U.S. Cl. D28/13; D28/18

[58] Field of Search D28/10-18; D4/14, 19-21; 219/222; 132/9; 34/96-98

[56] References Cited

U.S. PATENT DOCUMENTS

D. 247,630 3/1978 Wistrand D28/13
2,778,043 1/1957 Arf D4/14

OTHER PUBLICATIONS

Home Furnishings Daily, 6/10/1976, p. 5-Gillette "Pro-max" Compact Hairdryer at upper left.

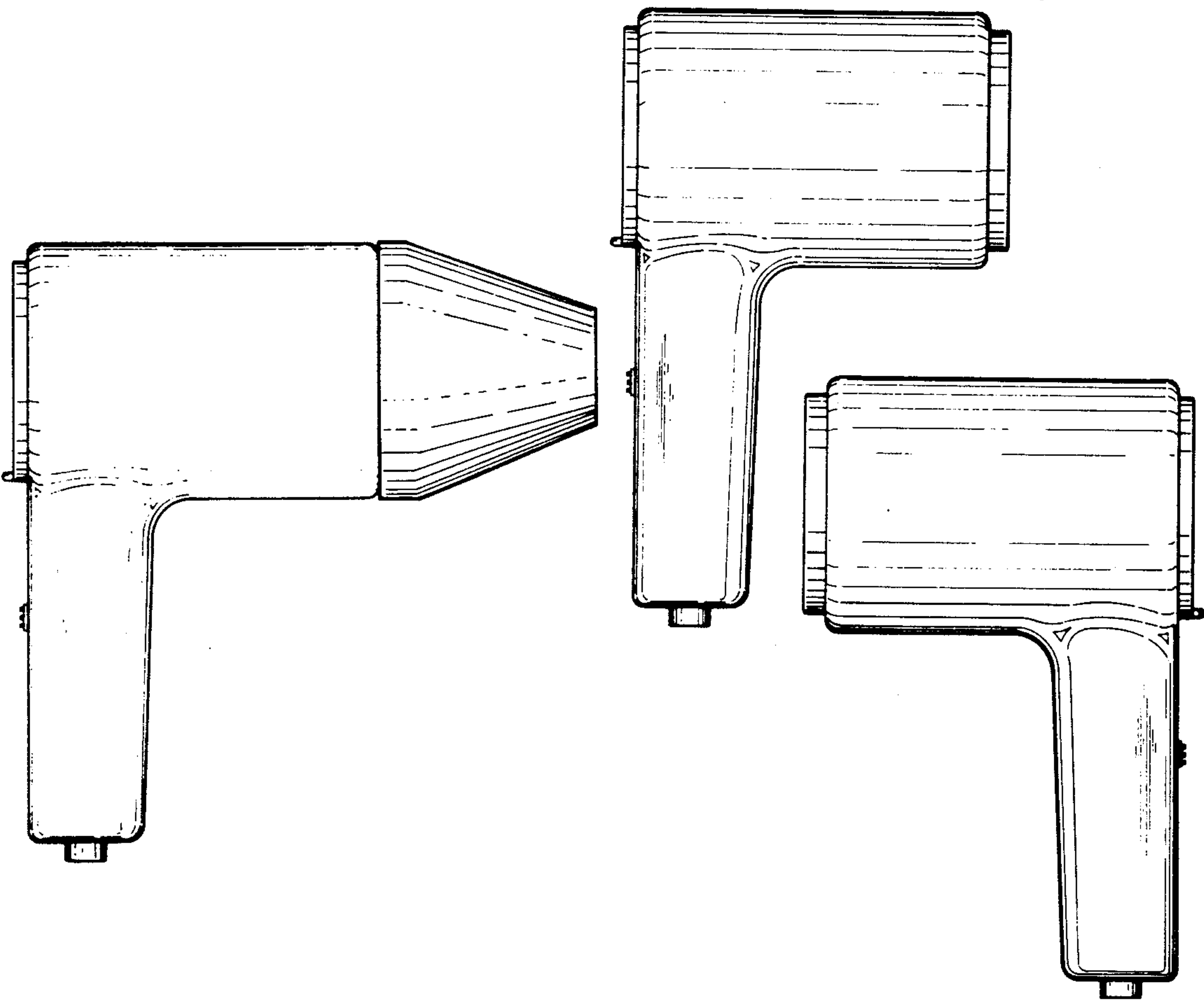
Primary Examiner—Louis S. Zarfes
Attorney, Agent, or Firm—Frank R. Trifari

[57] CLAIM

The ornamental design for a pistol grip hair dryer, as shown and described.

DESCRIPTION

FIG. 1 is a left-side elevation view of a pistol grip hair dryer showing my new design;
FIG. 2 is a right-side elevation view thereof;
FIG. 3 is a front elevation view thereof;
FIG. 4 is a rear elevation view thereof;
FIG. 5 is a top plan view thereof;
FIG. 6 is a bottom plan view thereof;
FIG. 7 is a left-side elevation view thereof, with a nozzle member attached;
FIG. 8 is a rear elevation view of the nozzle member;
FIG. 9 is a top plan view of the nozzle member, the bottom plan view being identical;
FIG. 10 is a left-side elevation view of the nozzle, the right-side elevation view being identical; and
FIG. 11 is a front elevation view of the nozzle member.



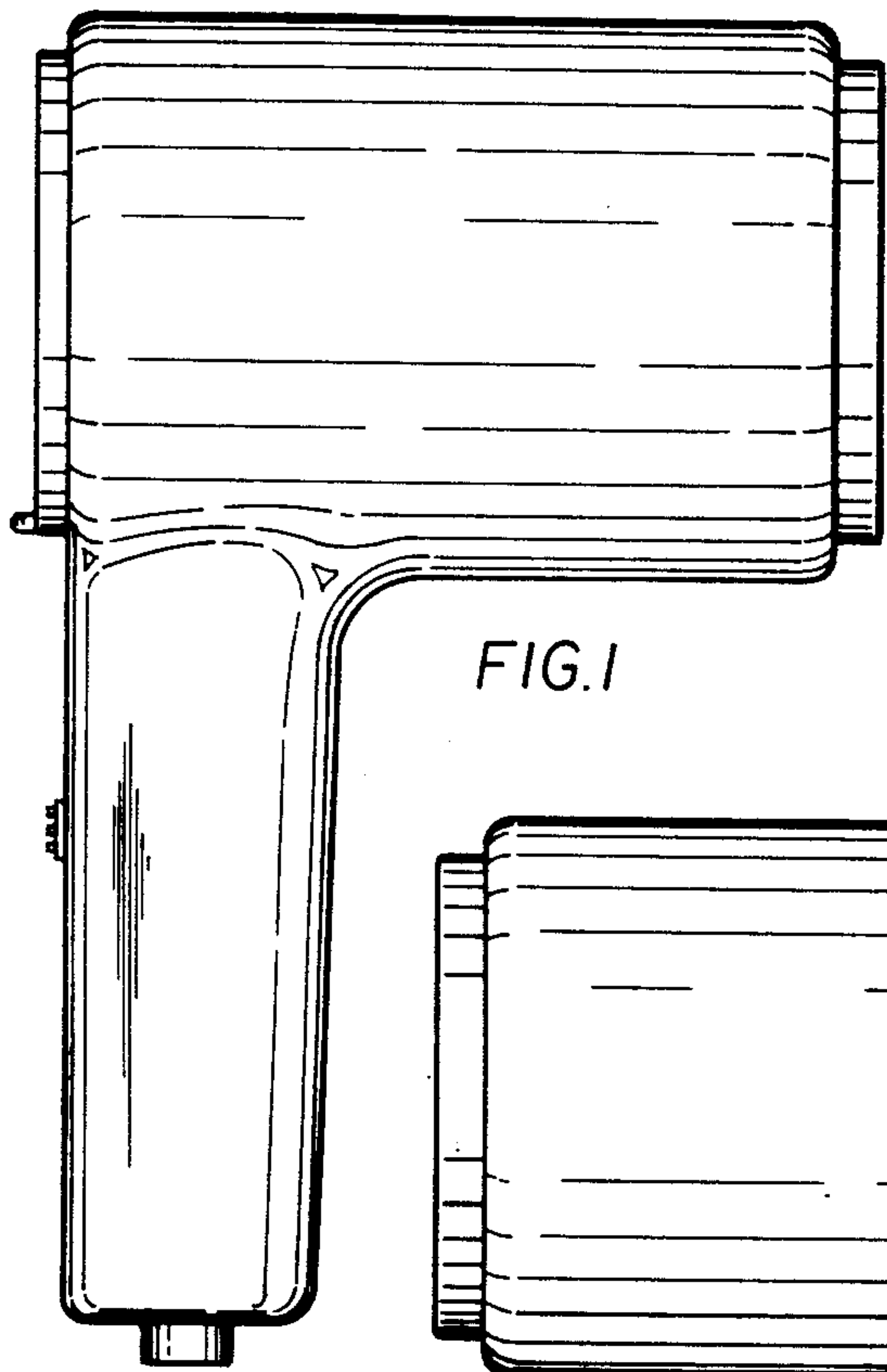


FIG. 1

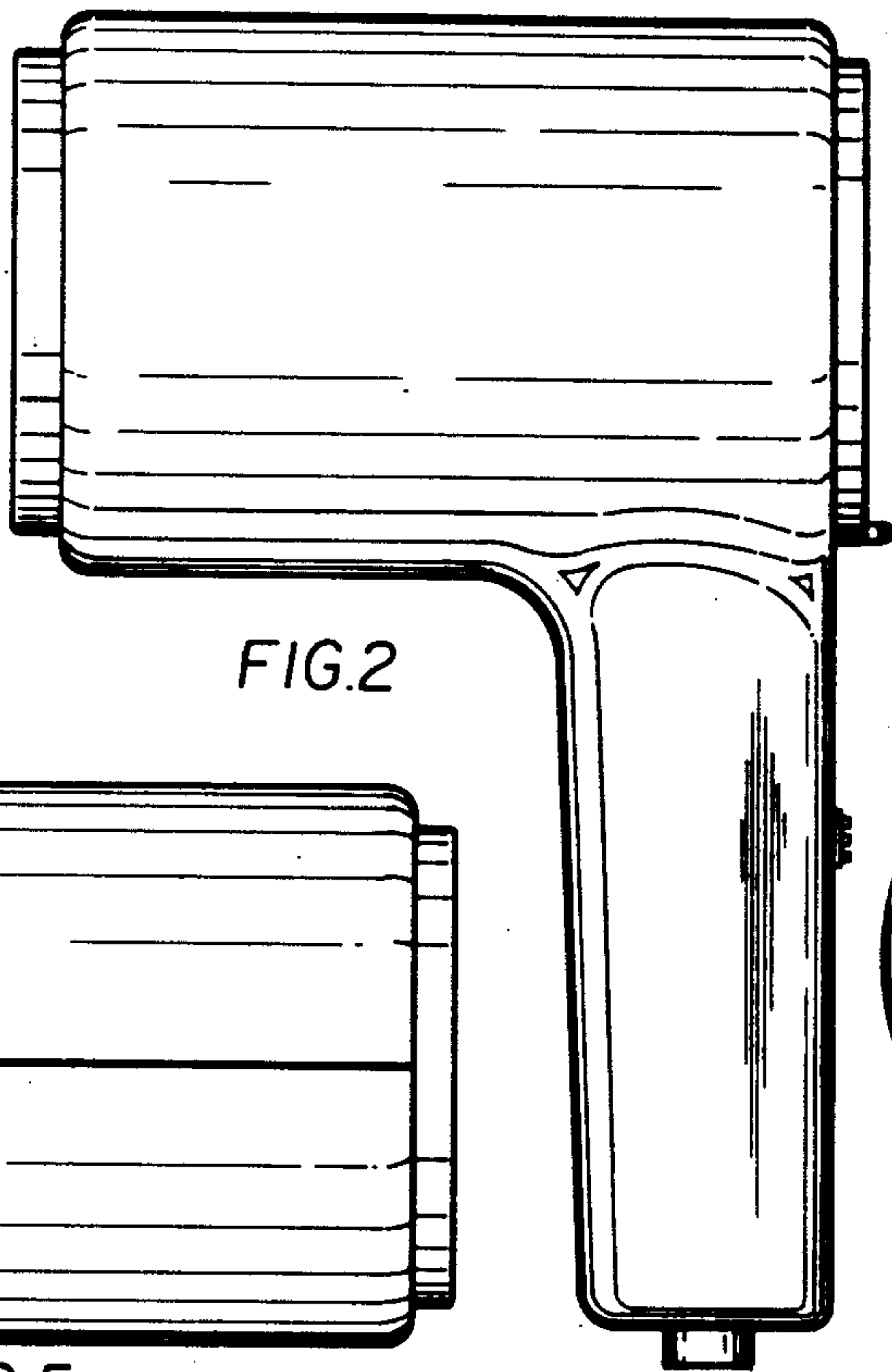


FIG. 2

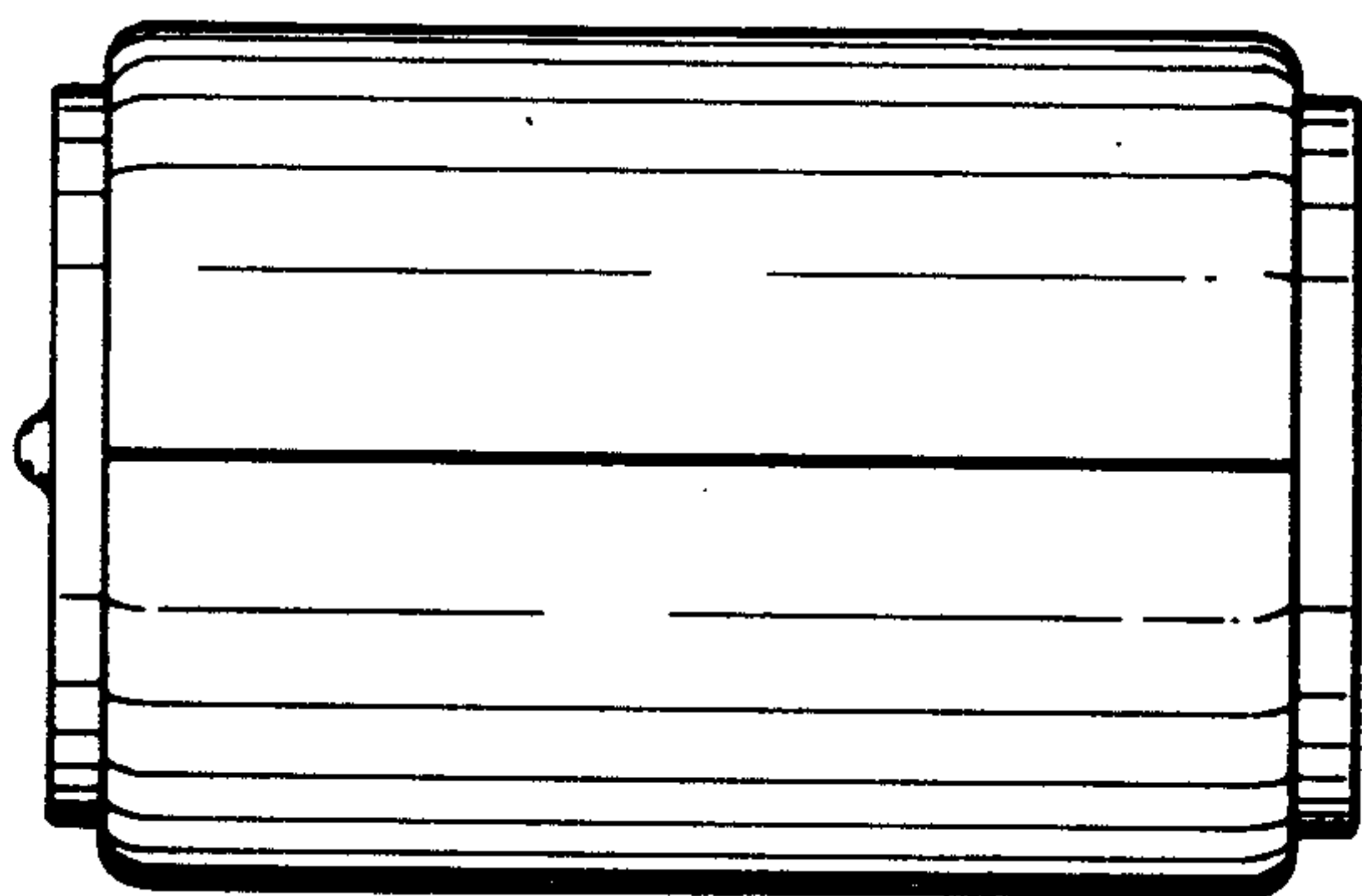


FIG. 5

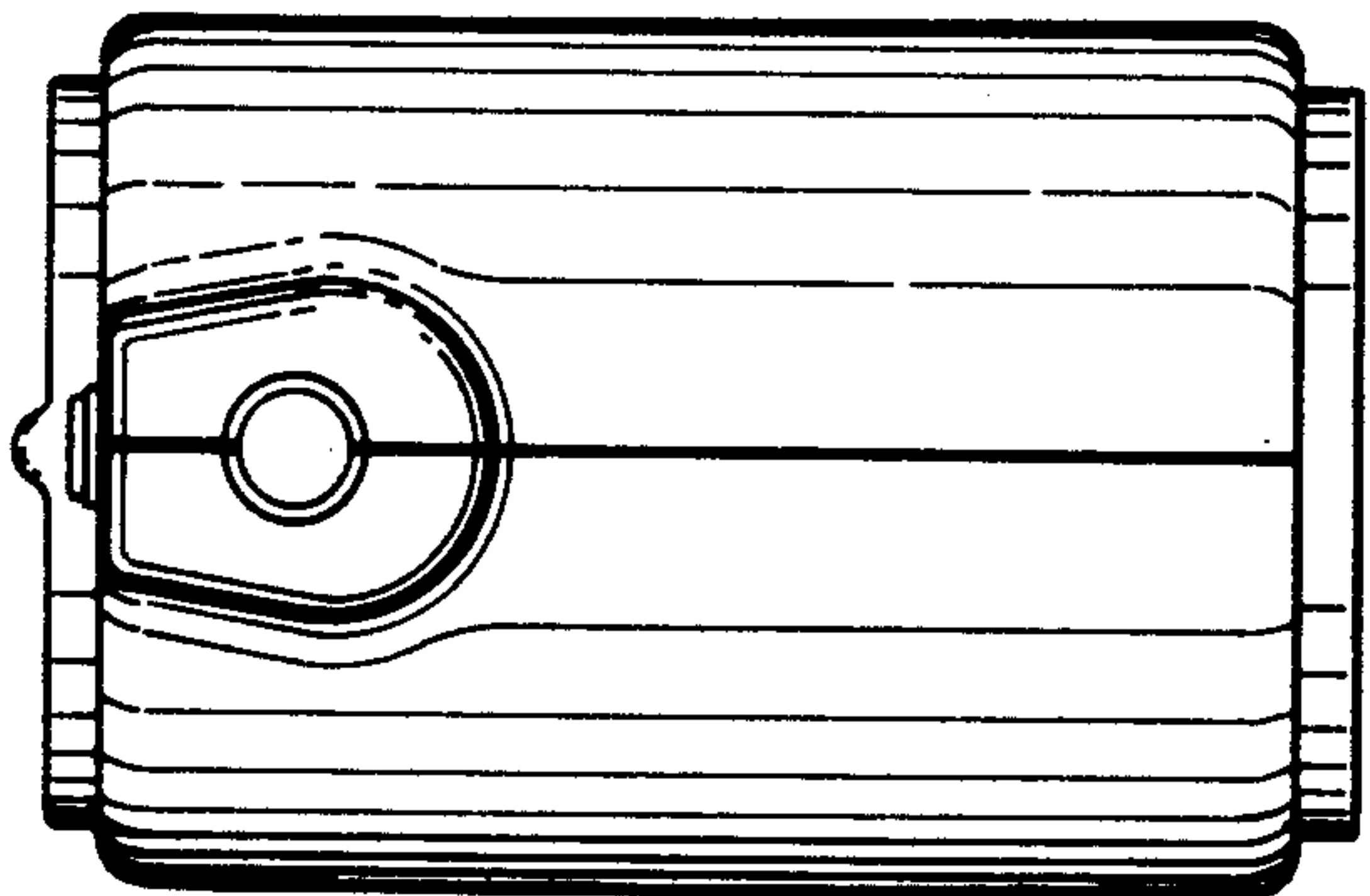


FIG. 6

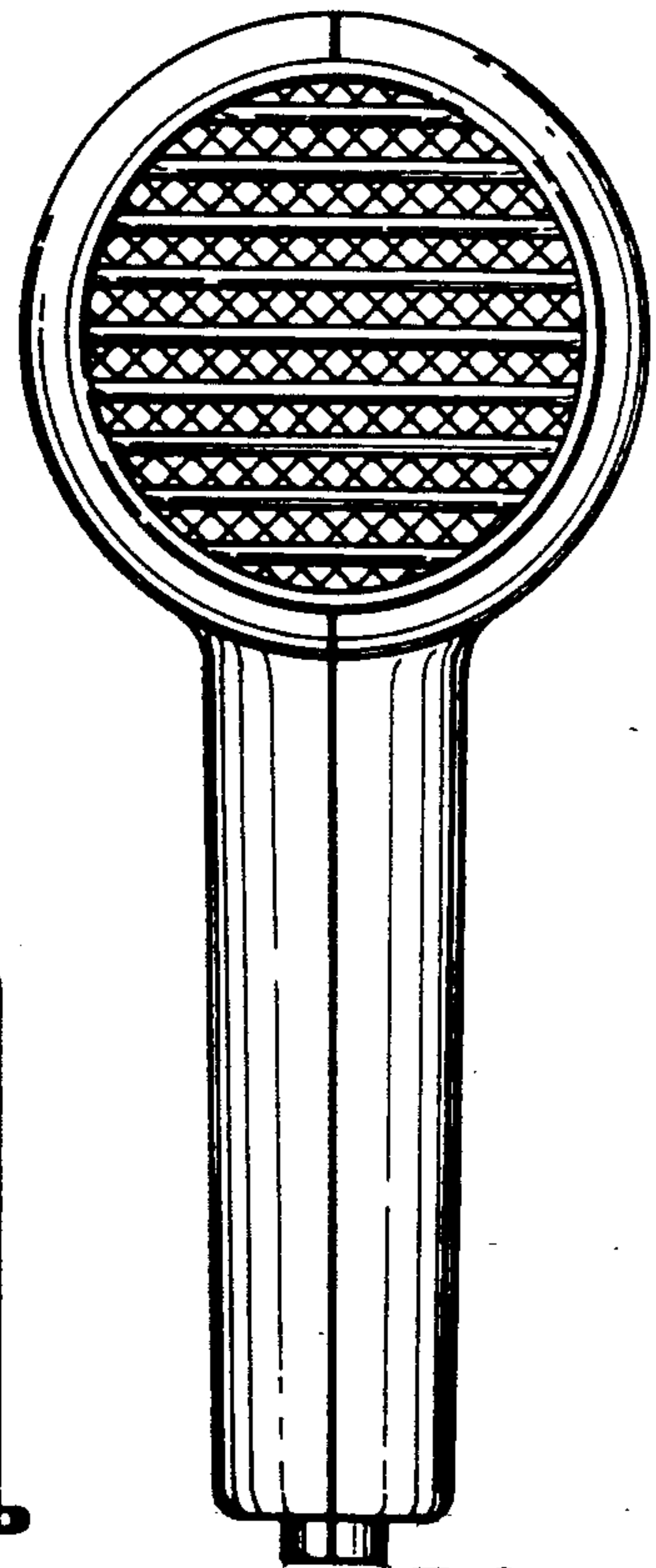


FIG. 3

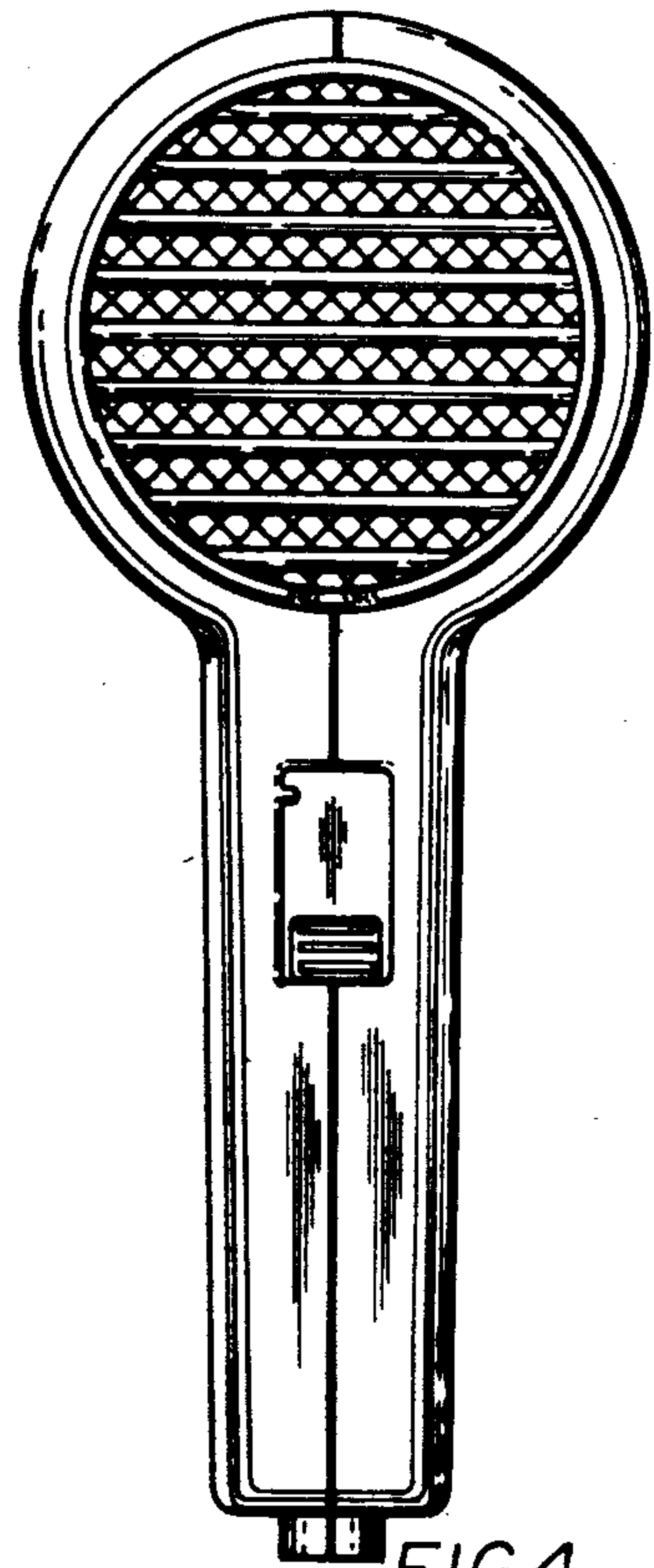


FIG. 4

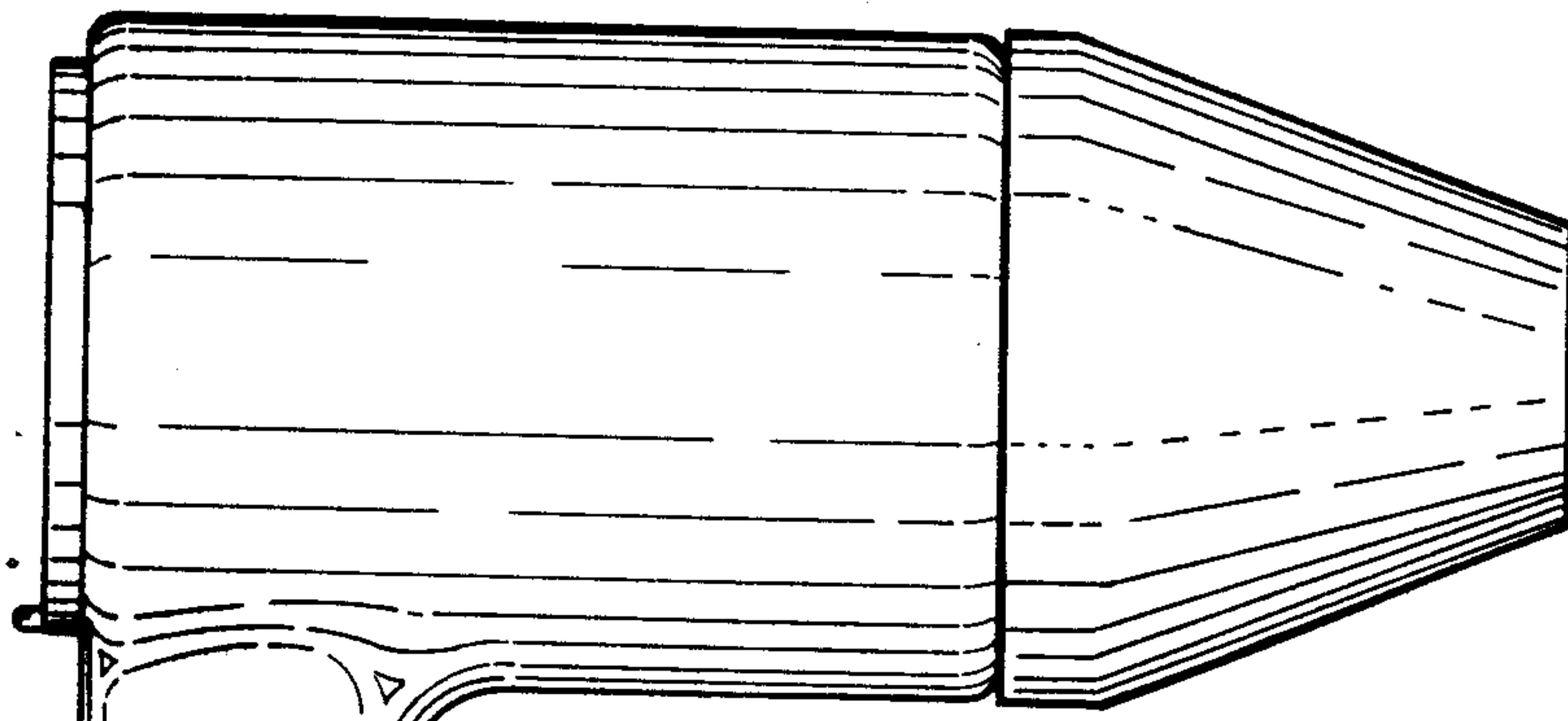


FIG. 7

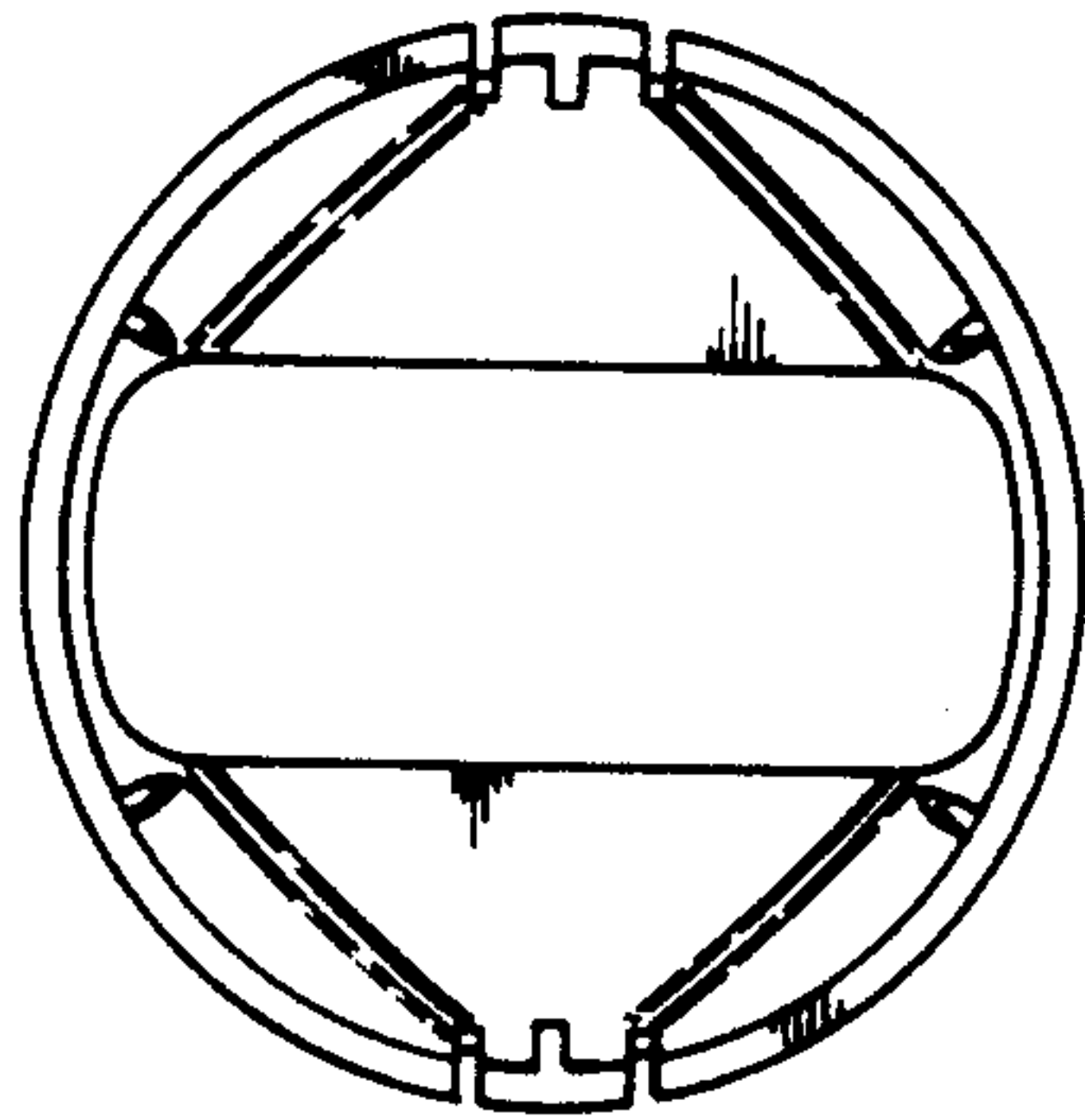


FIG. 8

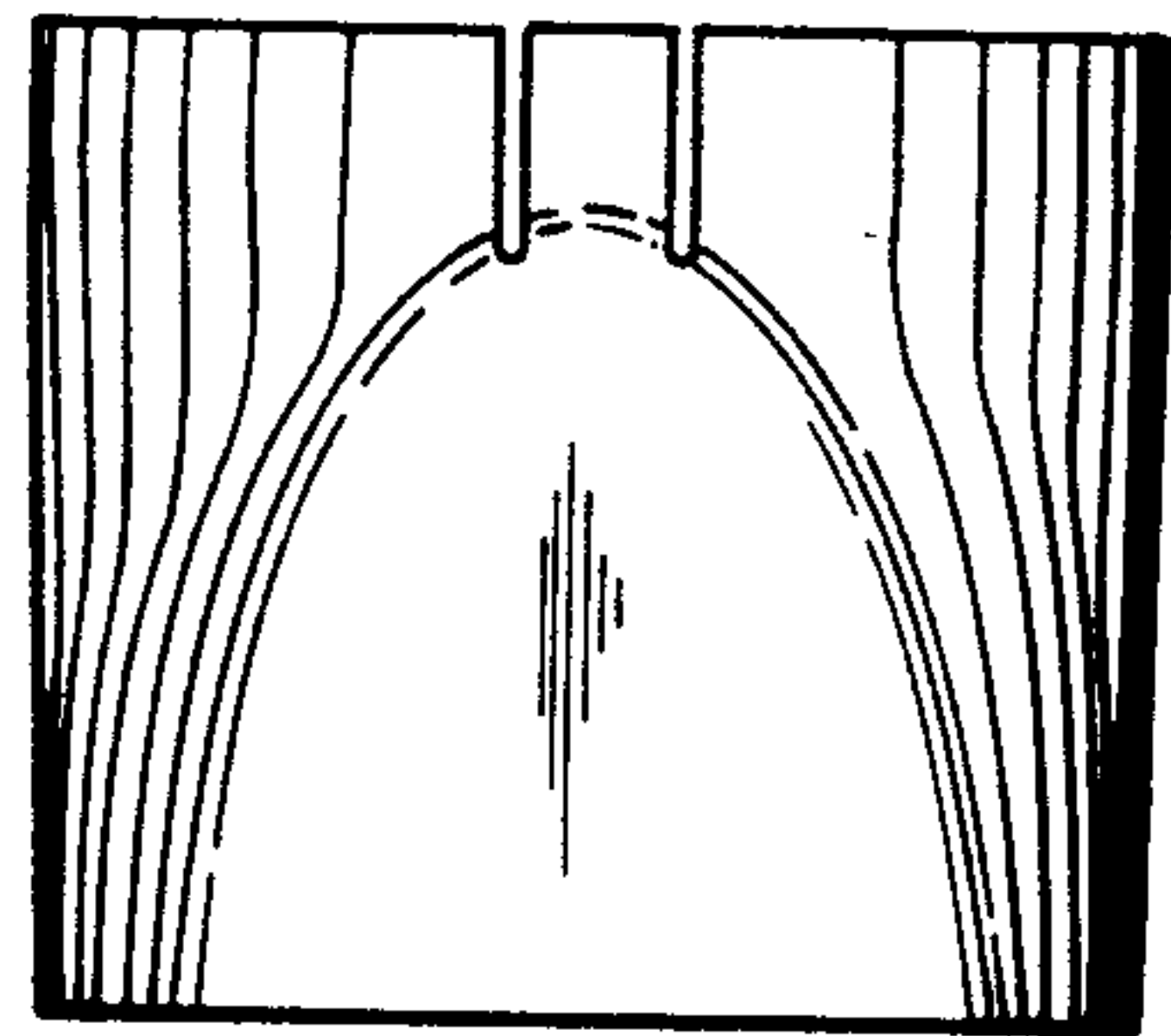


FIG. 9

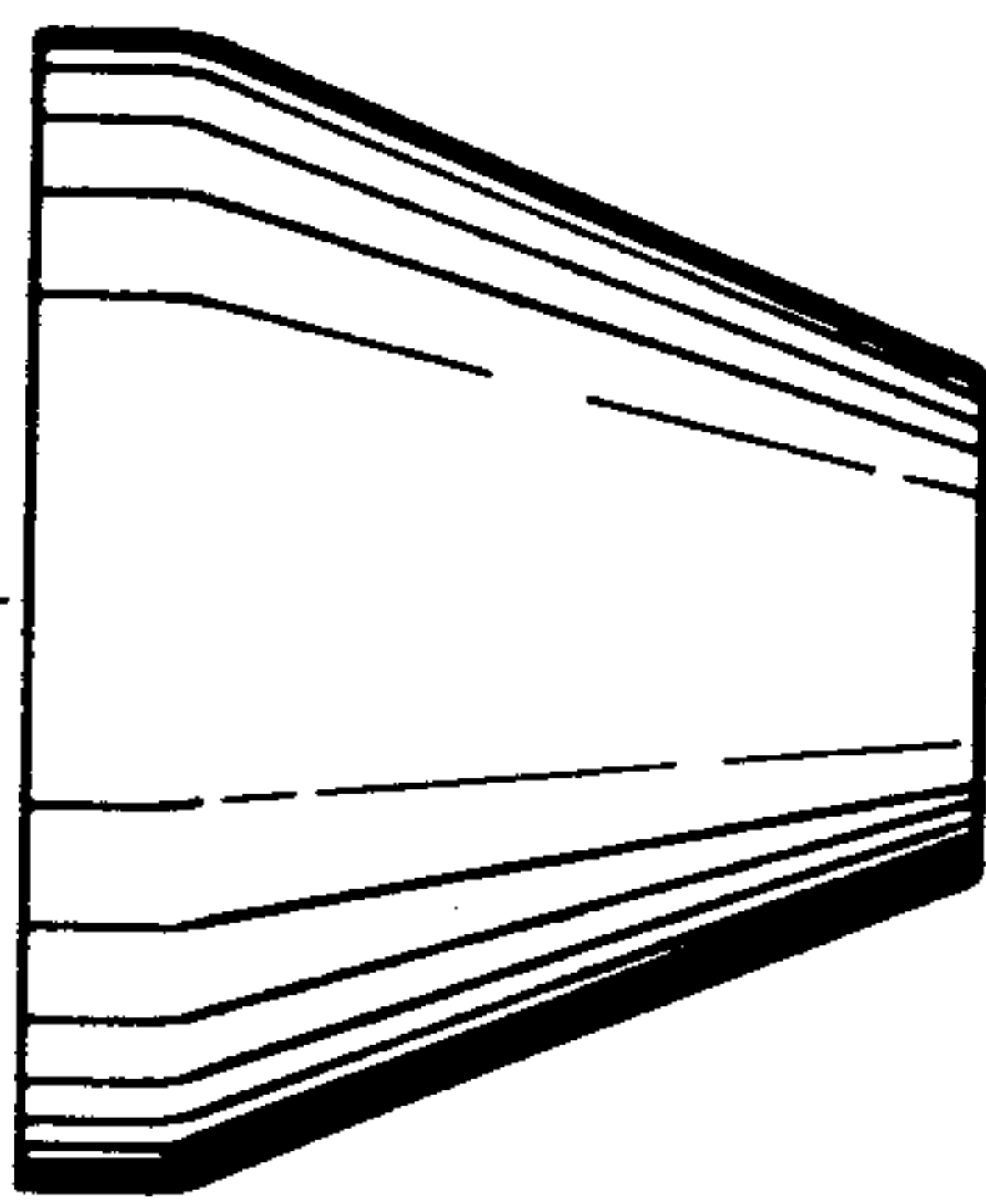


FIG. 10

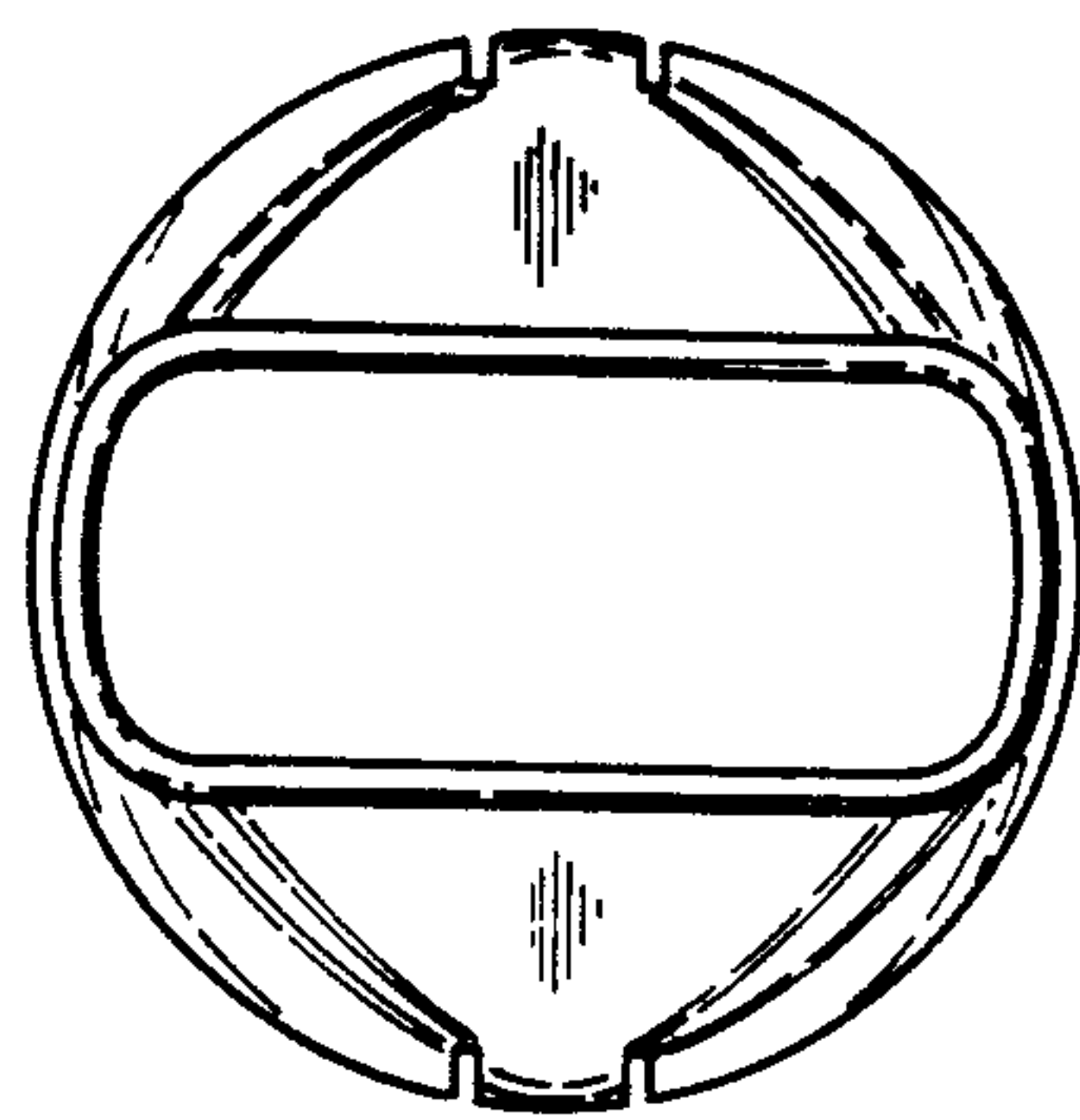


FIG. 11