

[54] PORTABLE LABELING MACHINE

[75] Inventor: Yo Sato, Tokyo, Japan

[73] Assignee: Kabushiki Kaisha Sato Kenkyusho, Tokyo, Japan

[**] Term: 14 Years

[21] Appl. No.: 807,312

[22] Filed: Jun. 16, 1977

[51] Int. Cl. D18-99

[52] U.S. Cl. D18/19

[58] Field of Search D64/10; 101/288; 156/DIG. 48, DIG. 49, 354; D18/19

[56] References Cited

U.S. PATENT DOCUMENTS

4,072,105 2/1978 Becker et al. 156/384 X

OTHER PUBLICATIONS

Hardware Age, 9/1/1969, Precision Pricer on insert postcard.

Hardware Age, Apr. 1973, p. 115-Primark "N1" at left.

Primary Examiner—Louis S. Zarfes

Attorney, Agent, or Firm—Sidney G. Faber

[57] CLAIM

The ornamental design for a portable labeling machine, as shown and described.

DESCRIPTION

FIG. 1 is a top plan view of a portable labeling machine showing my new design;

FIG. 2 is a right side elevational view of the labeling machine;

FIG. 3 is a bottom plan view of the labeling machine;

FIG. 4 is a left side elevational view of the labeling machine;

FIG. 5 is a rear elevational view, from the right in FIG. 2, of the labeling machine;

FIG. 6 is a front elevational view of the labeling machine;

FIG. 7 is a top perspective view from the left side of the labeling machine;

FIG. 8 is a top perspective view from the right side of the labeling machine; and

FIG. 9 is a bottom perspective view of the labeling machine.

The characteristic feature of my design resides in the beaded side panels.

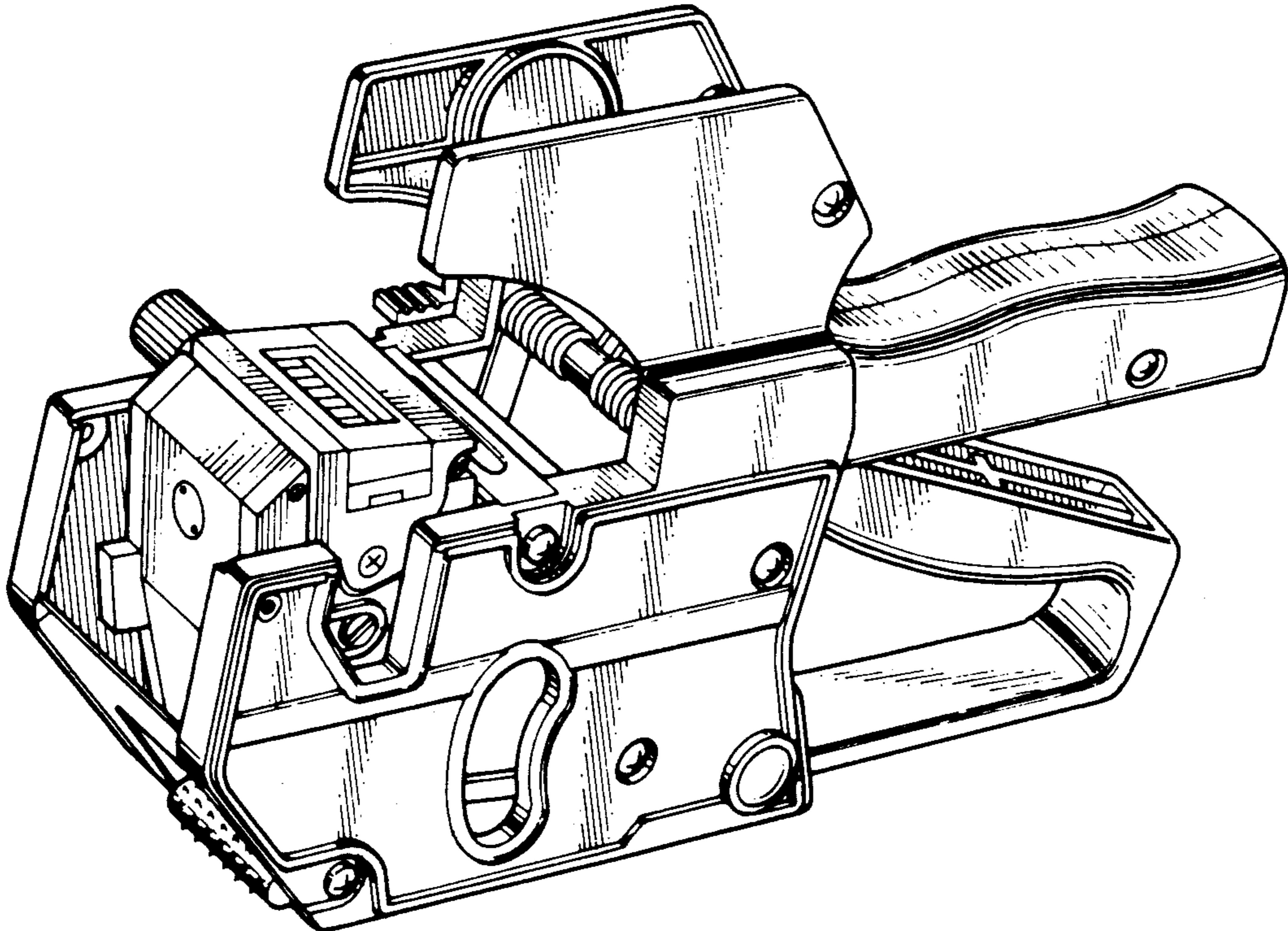


FIG. 1

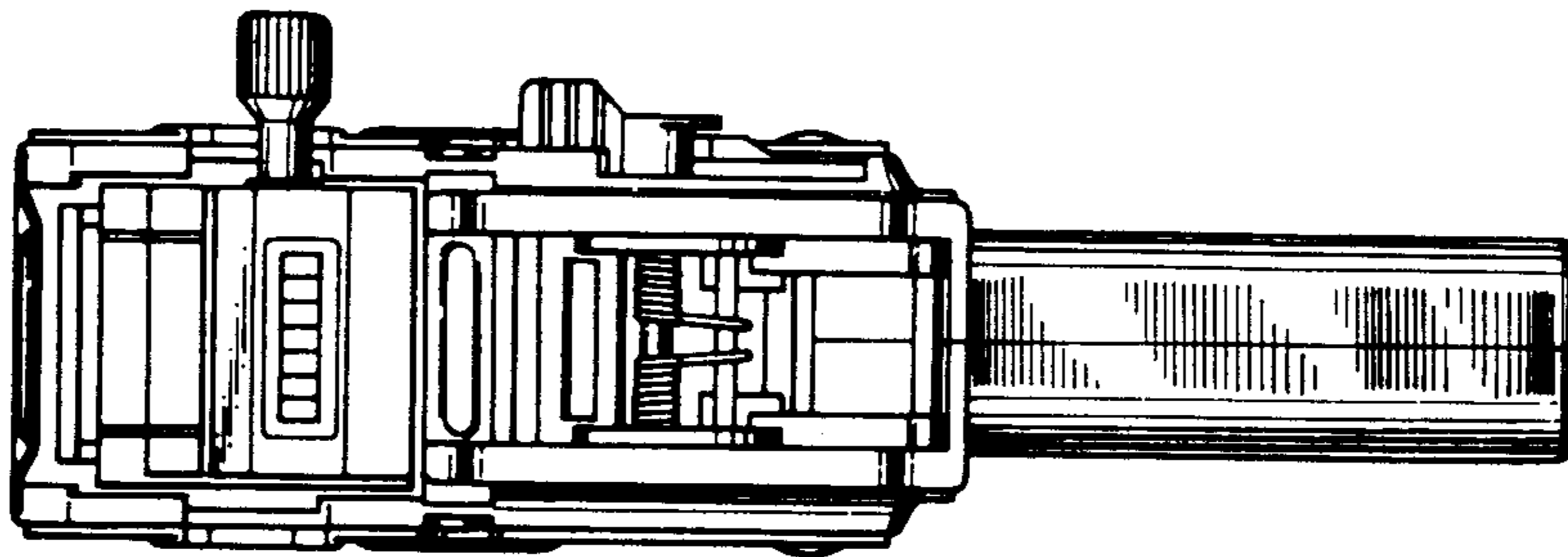


FIG. 2

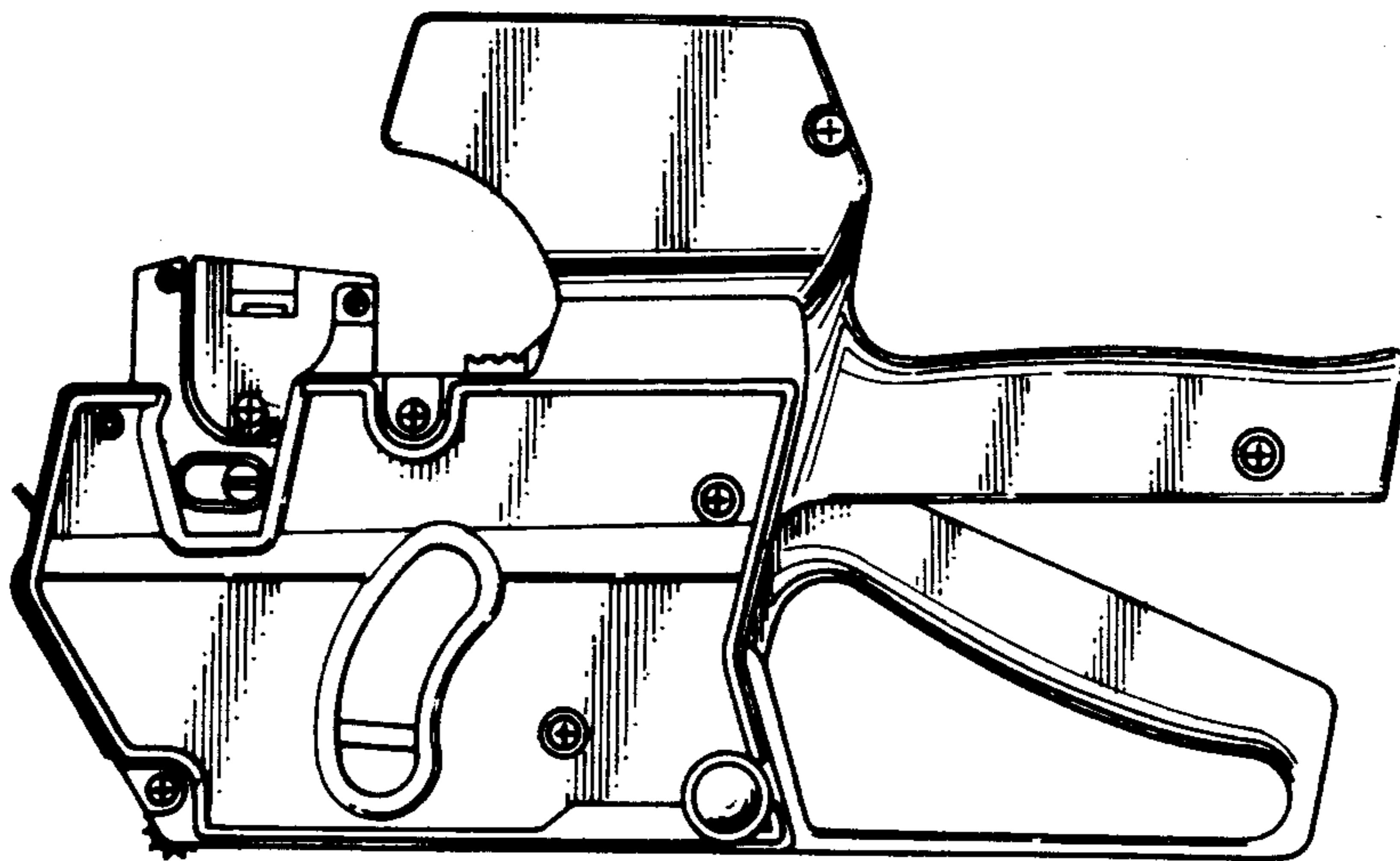


FIG. 3

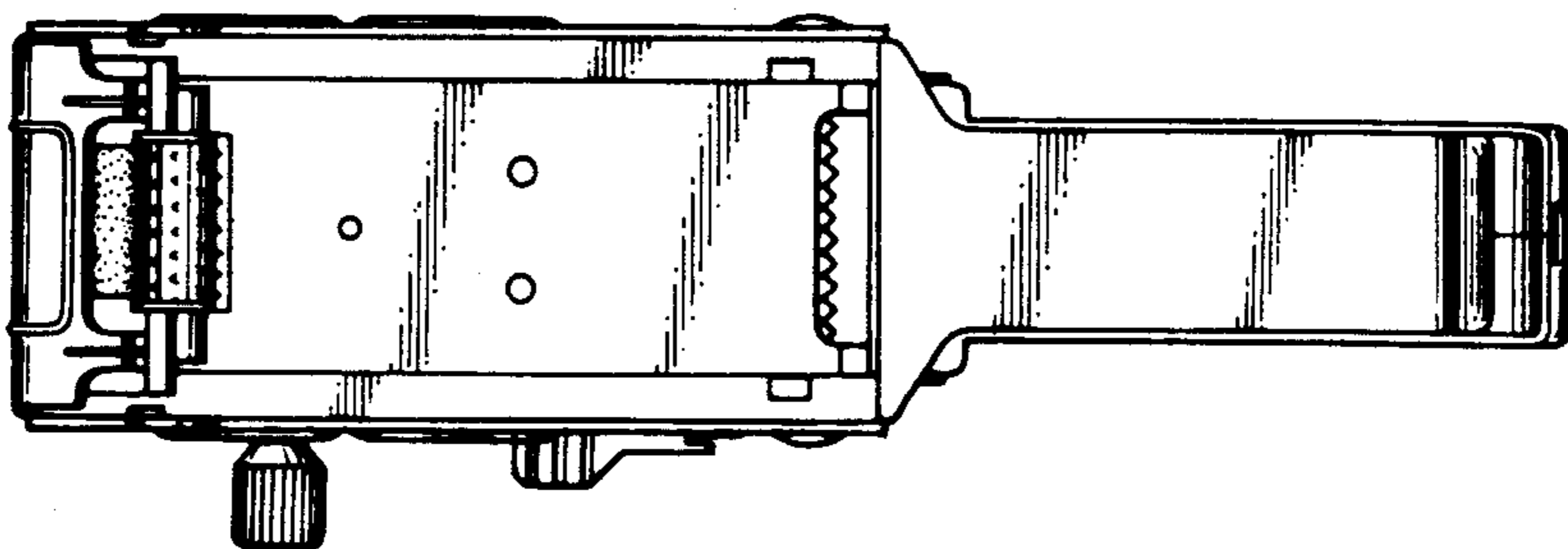


FIG. 4

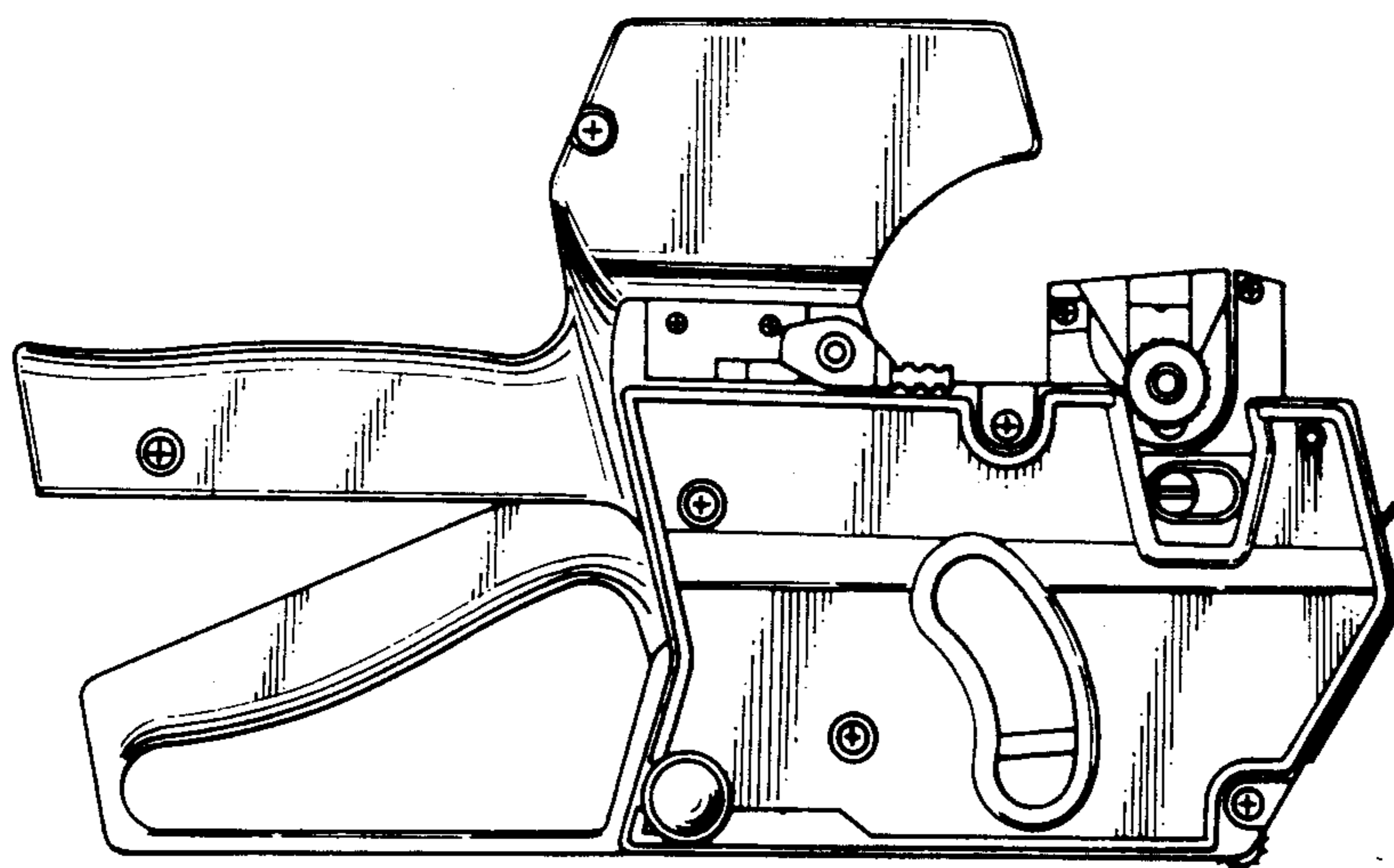


FIG. 5

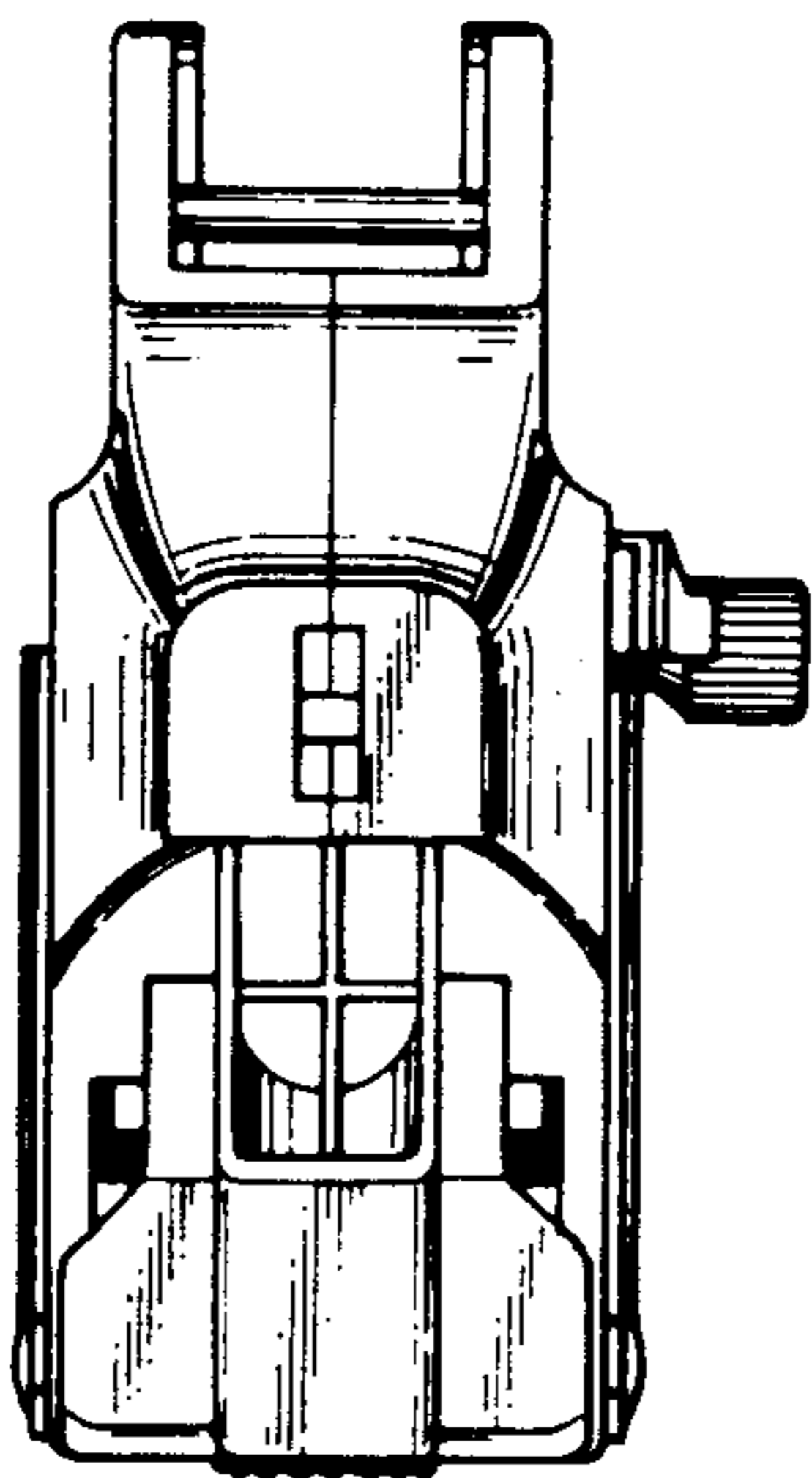


FIG. 6

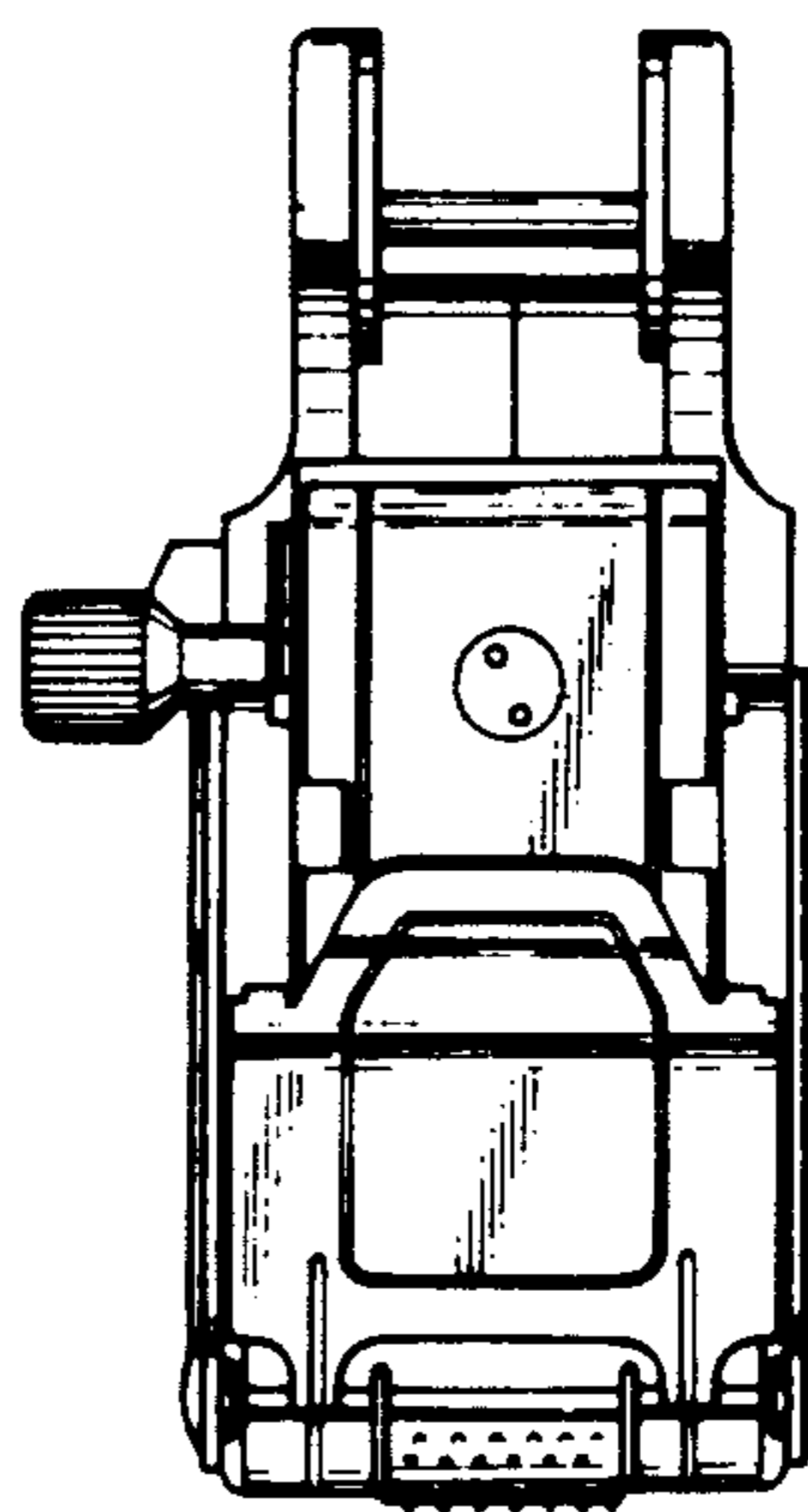


FIG. 7

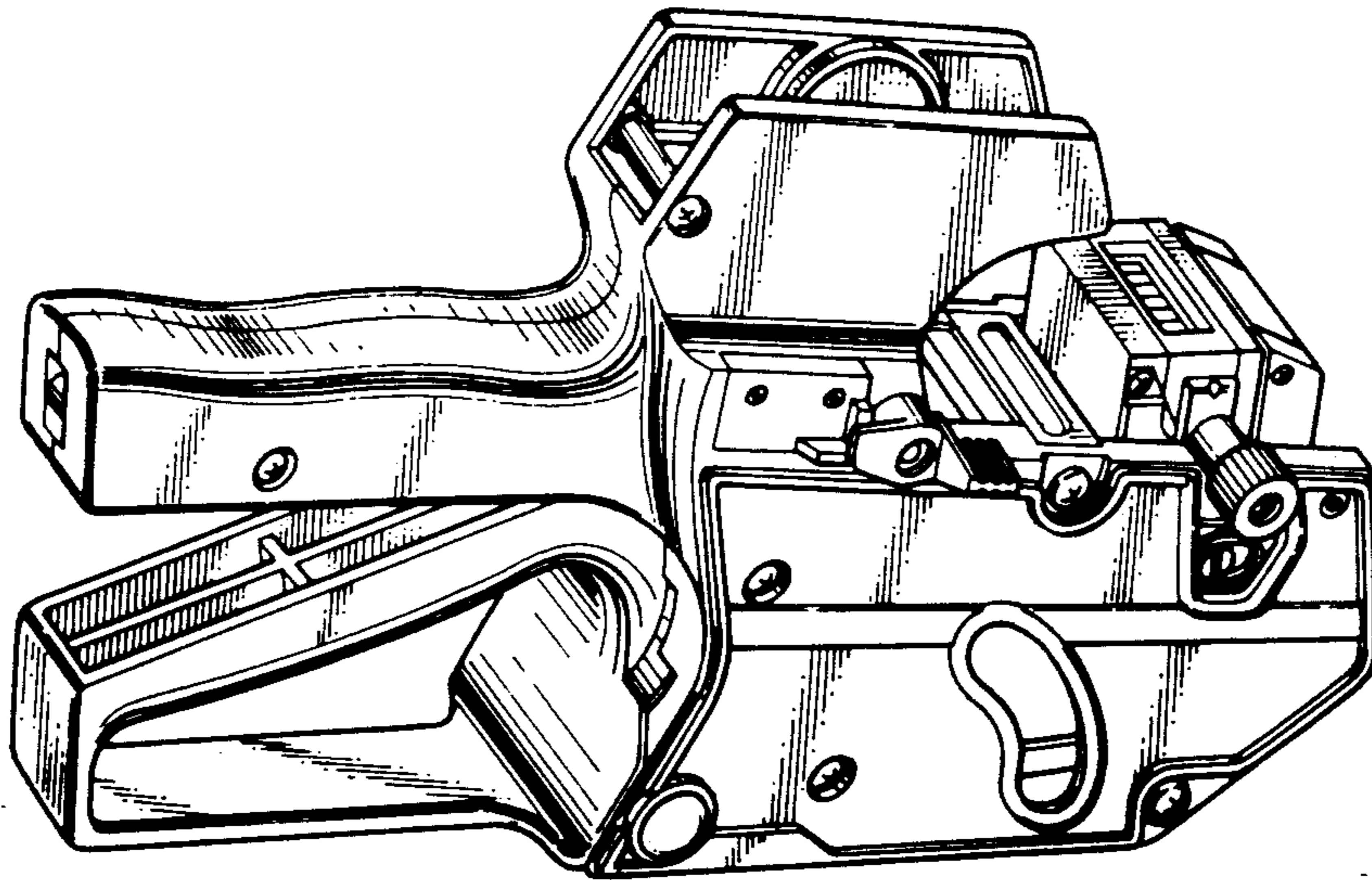


FIG. 8

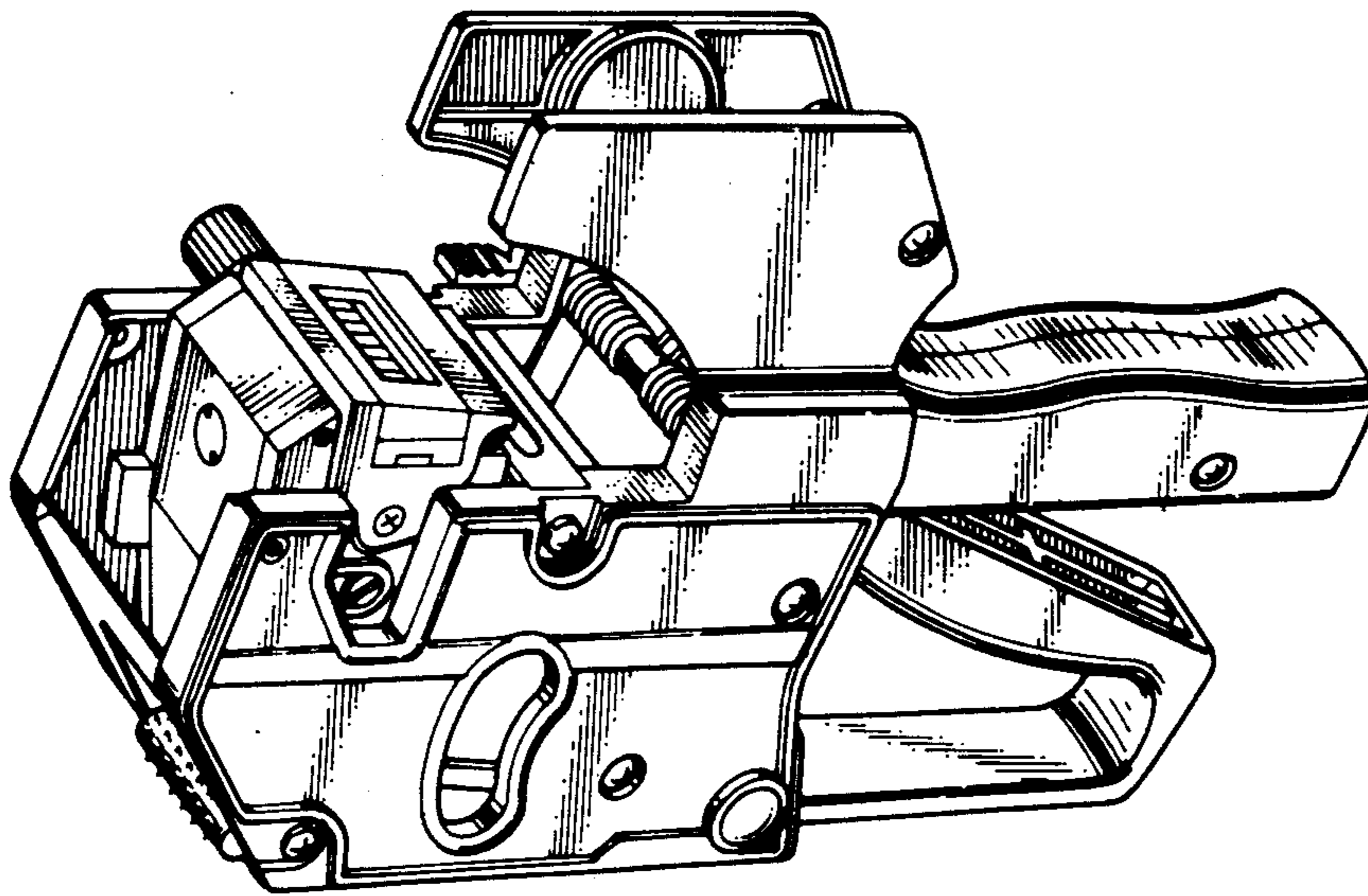


FIG. 9

