

[54] HAND OPERATED PORTABLE LABELING MACHINE

[75] Inventor: Yo Sato, Tokyo, Japan

[73] Assignee: Kabushiki Kaisha Sato Kenkyusho, Tokyo, Japan

[**] Term: 14 Years

[21] Appl. No.: 785,351

[22] Filed: Apr. 7, 1977

[51] Int. Cl. D18-99

[52] U.S. Cl. D18/19

[58] Field of Search D64/10; 101/288; 156/354, DIG. 48, DIG. 49; D18/19

[56] References Cited

U.S. PATENT DOCUMENTS

D. 209,350	11/1967	Sato et al.	D64/10
D. 228,364	9/1973	Lee	D64/10
D. 237,746	11/1975	Sato	D64/10
3,656,430	4/1972	Olsson	101/288

OTHER PUBLICATIONS

Gifts & Decorative Accessories, 7/1973, p. 268—Hand Pricers at bottom center.

Primary Examiner—Louis S. Zarfes
Attorney, Agent, or Firm—Sidney G. Faber

[57] CLAIM

The ornamental design for a hand operated portable labeling machine, as shown.

DESCRIPTION

FIG. 1 is a top plan view of a hand operated portable labeling machine showing my new design;
 FIG. 2 is a right side elevational view of the labeling machine;
 FIG. 3 is a bottom plan view of the labeling machine;
 FIG. 4 is a left side elevational view of the labeling machine;
 FIG. 5 is a rear elevational view, from the right in FIG. 2, of the labeling machine;
 FIG. 6 is a front elevational view of the labeling machine;
 FIG. 7 is a top perspective view from the left side of the labeling machine;
 FIG. 8 is a top perspective view from the right side of the labeling machine; and
 FIG. 9 is a bottom perspective view of the labeling machine.

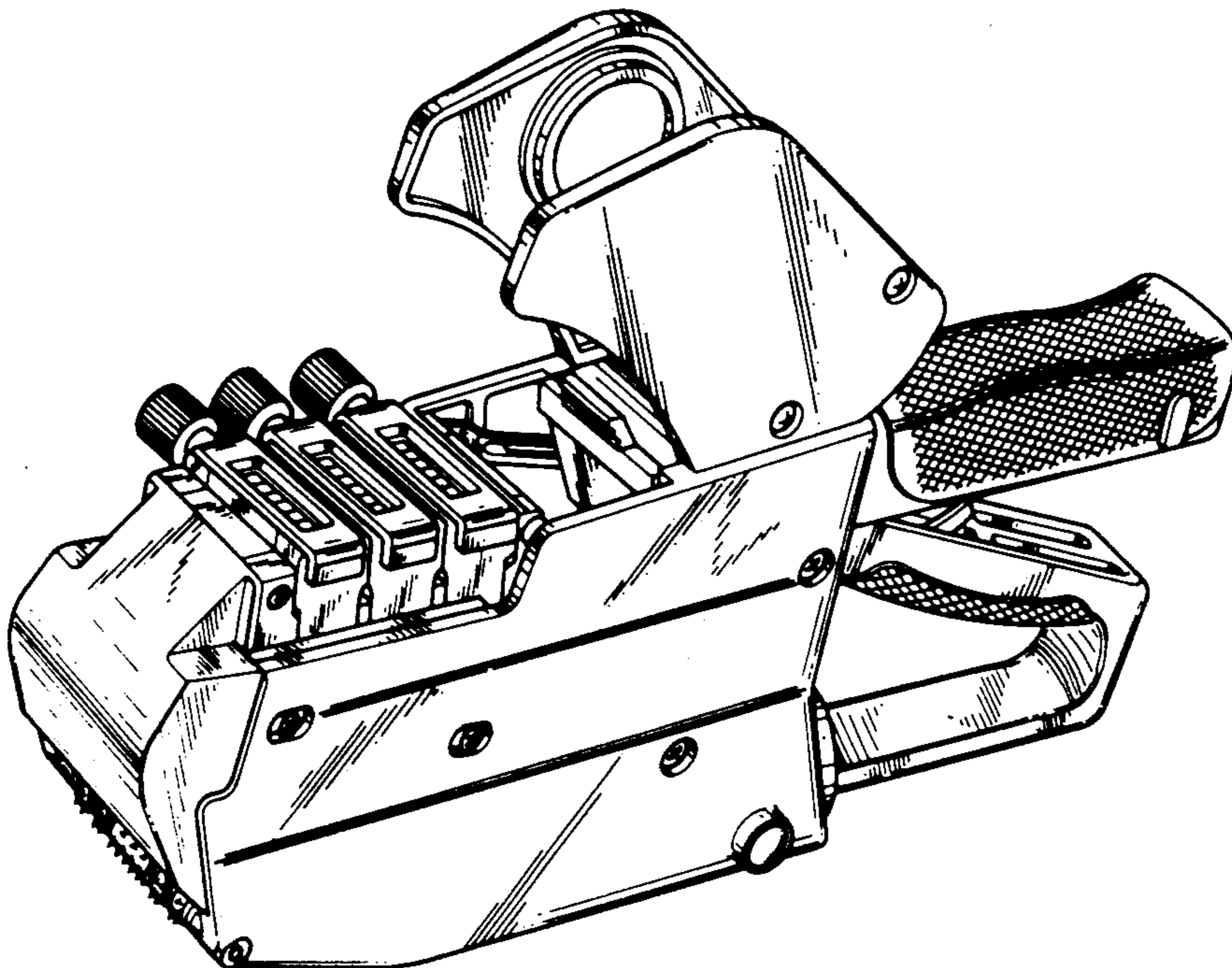


FIG. 1

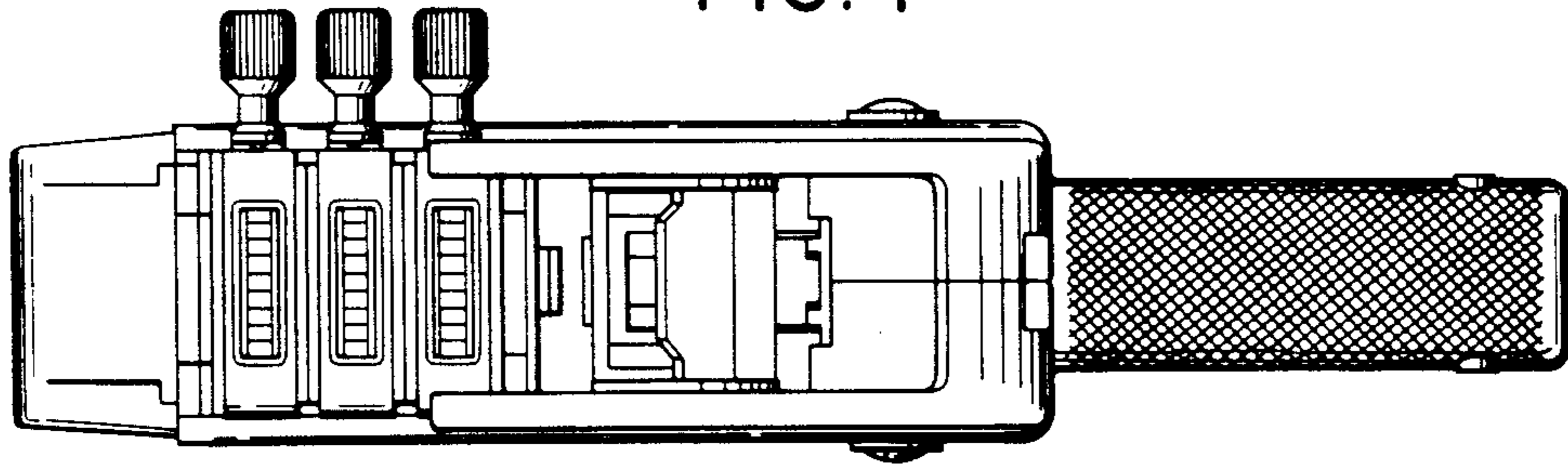


FIG. 2

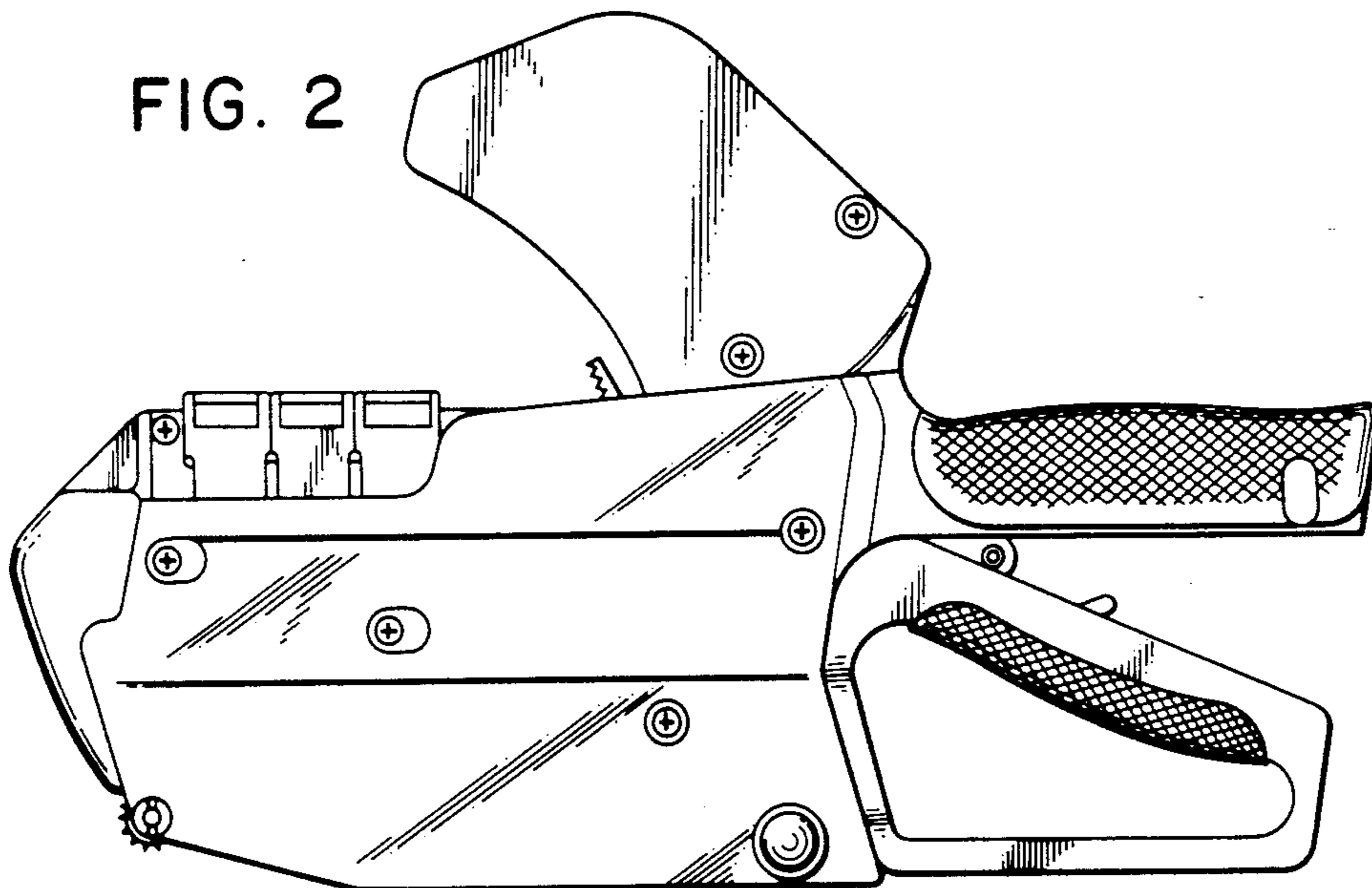
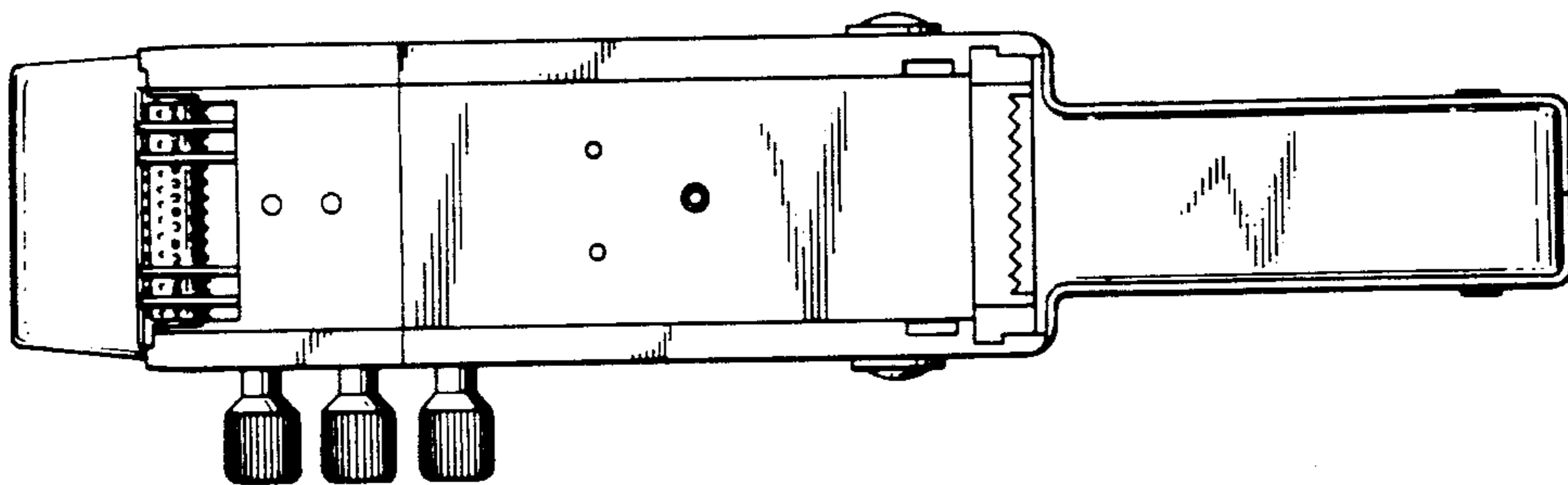


FIG. 3



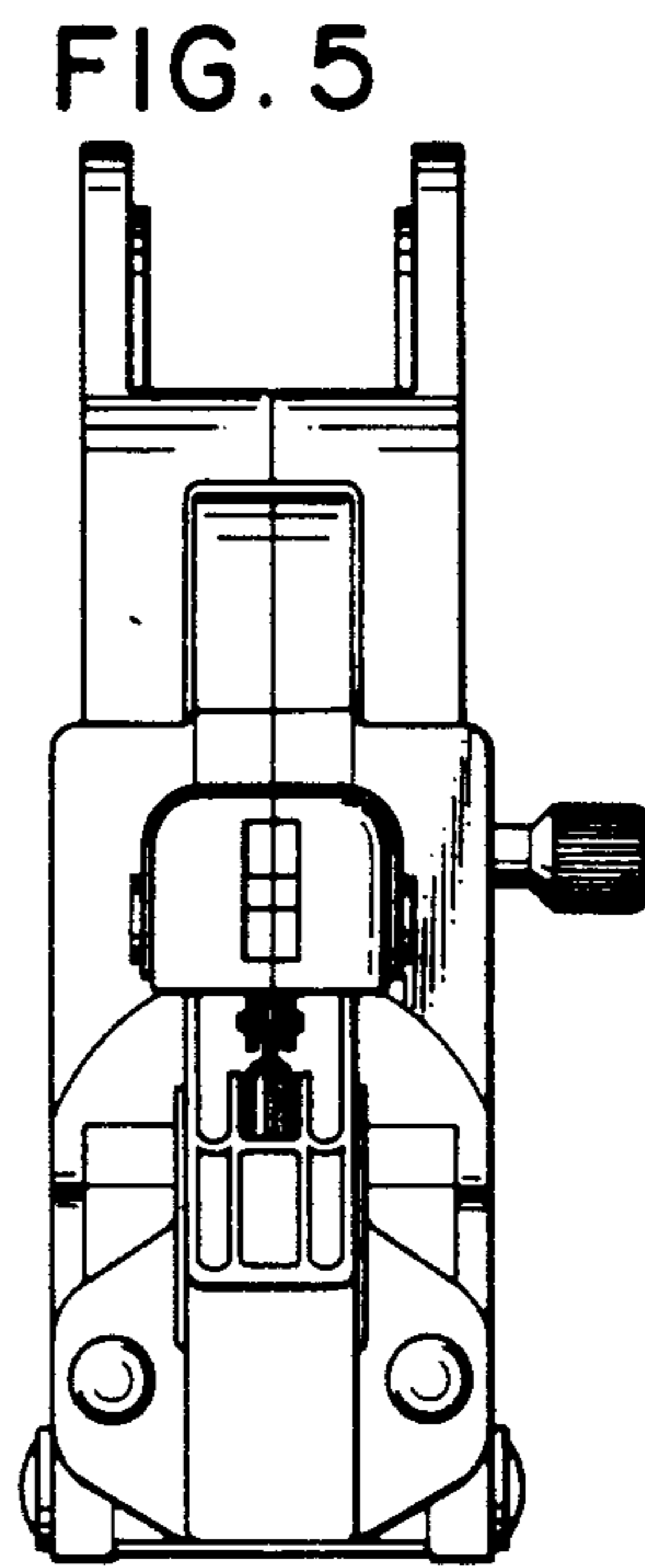
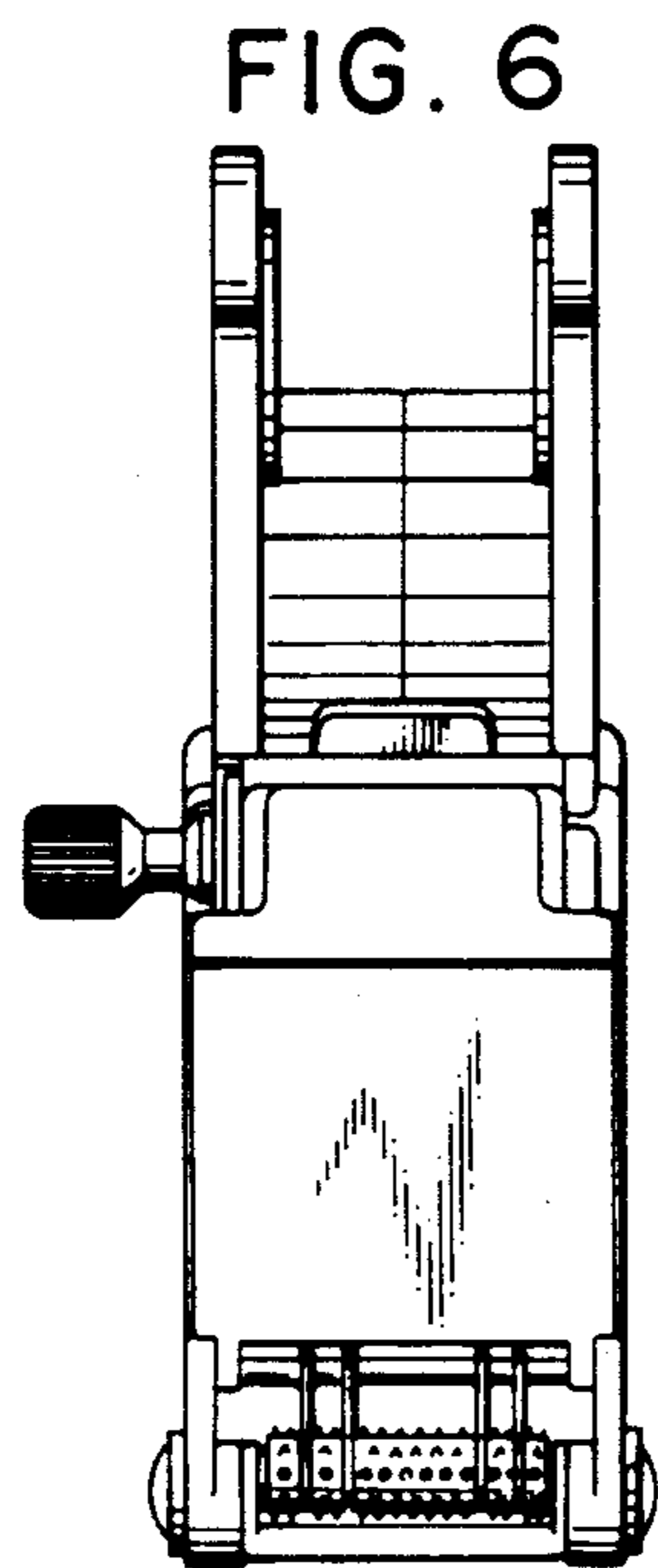
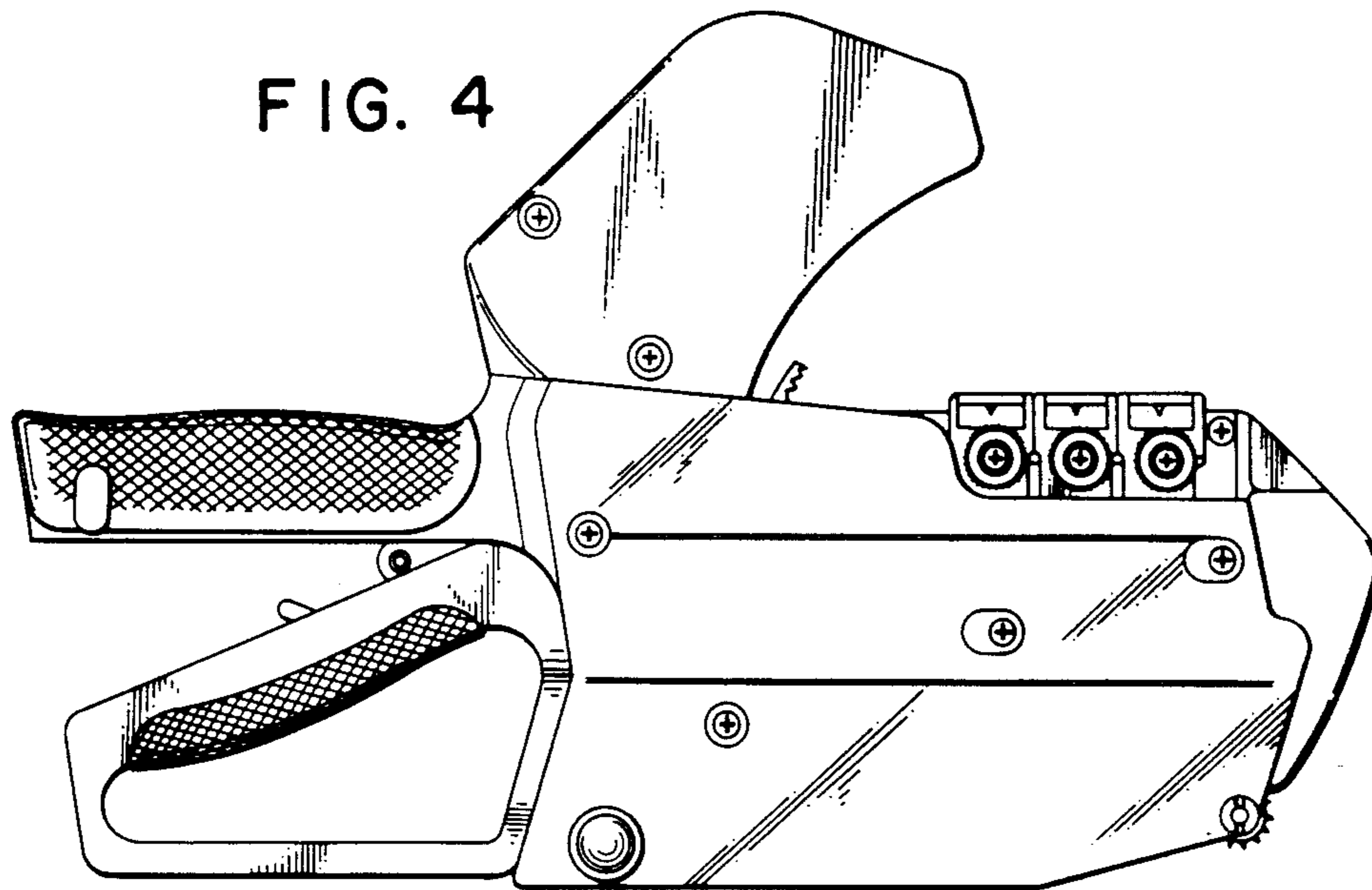


FIG. 7

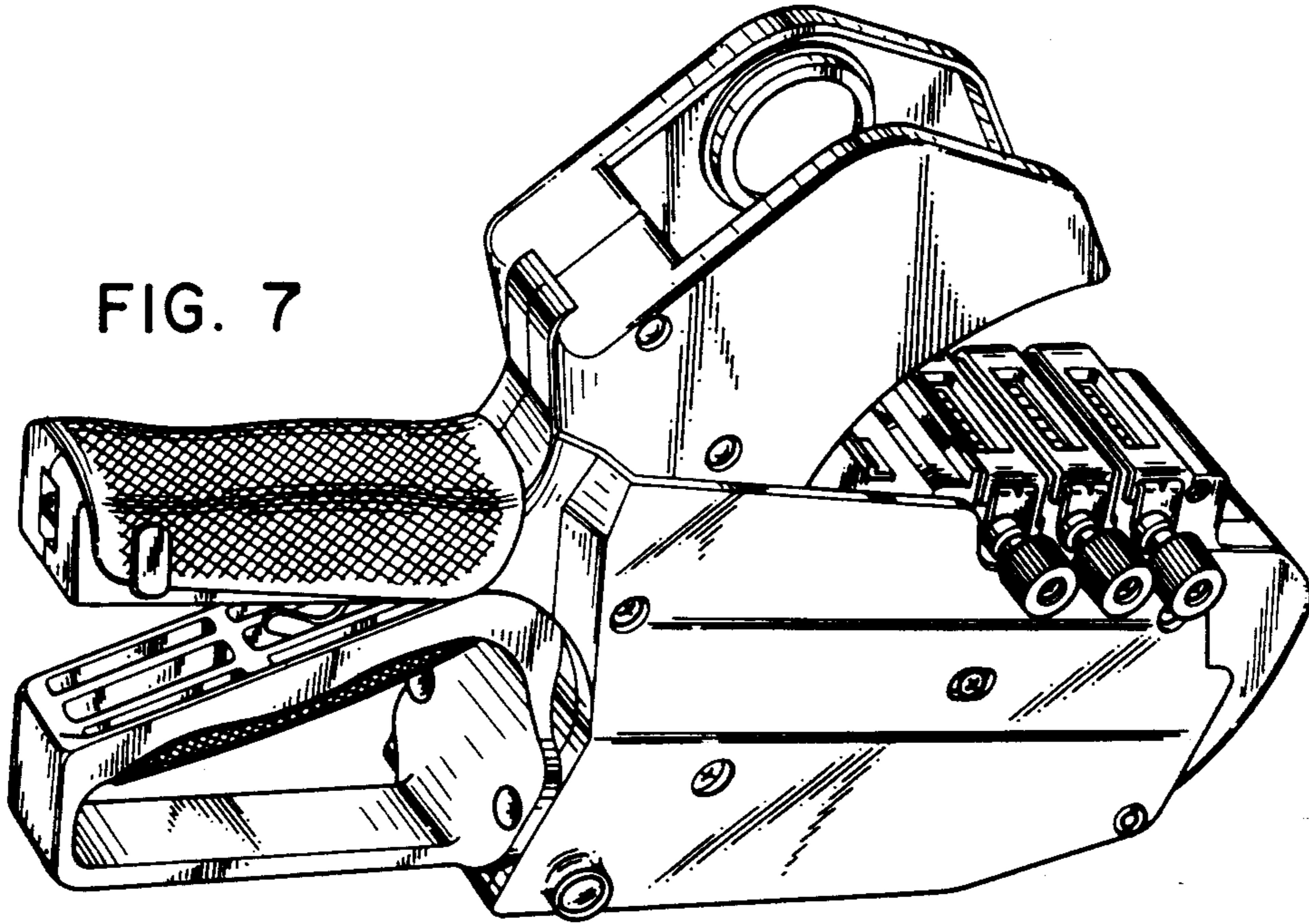


FIG. 8

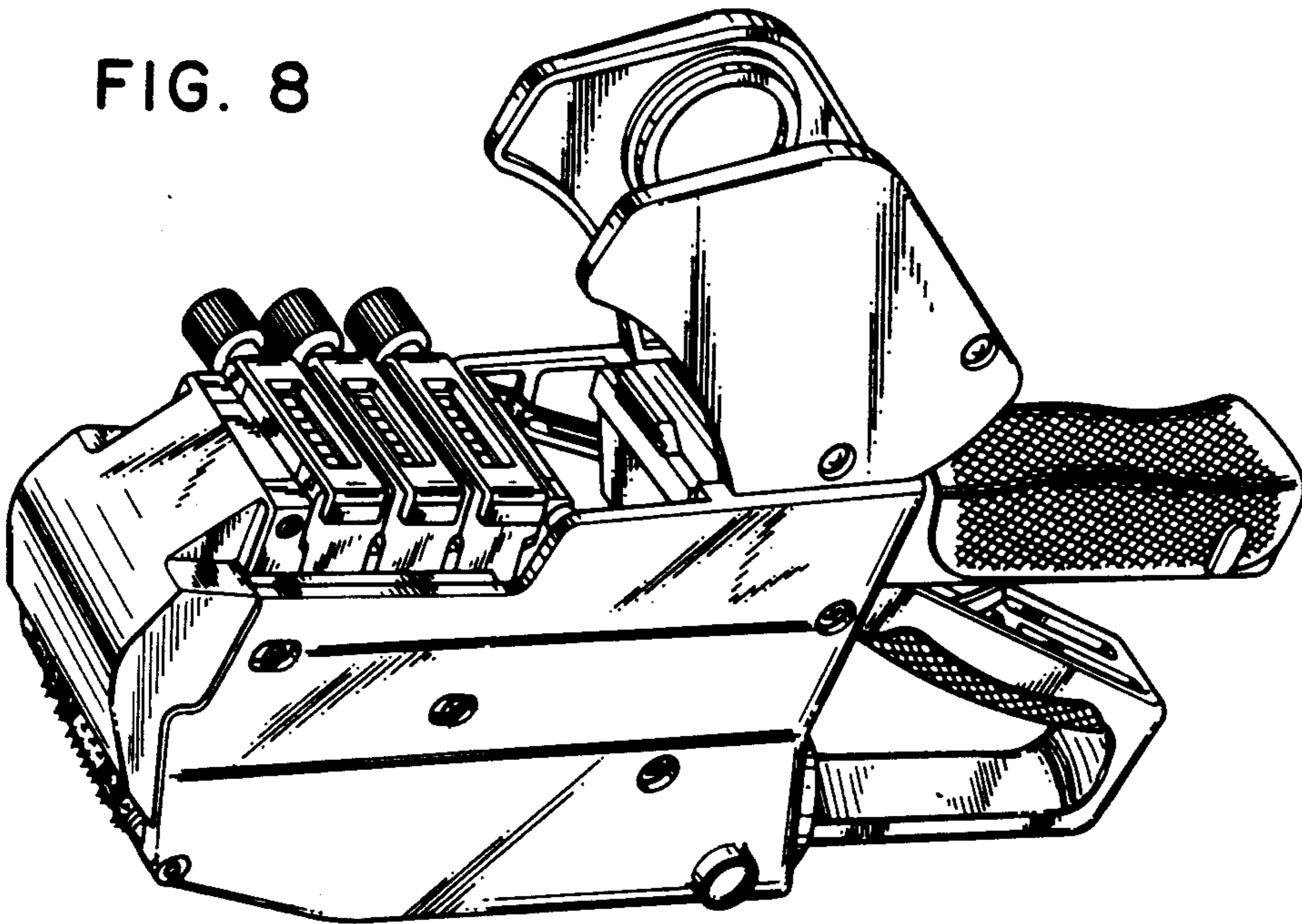


FIG. 9

