

[54] CARTRIDGE ASSEMBLY FOR A TYPEWRITER

3,354,776 11/1967 Smitzer et al. .... 242/200 X  
4,013,160 3/1977 Colecchi et al. .... 242/194 X

[75] Inventors: Edwin J. Lenney; John O. Schaefer, both of Lexington, Ky.

Primary Examiner—Louis S. Zarfes  
Attorney, Agent, or Firm—William J. Dick

[73] Assignee: International Business Machines Corporation, Armonk, N.Y.

[57] CLAIM

The ornamental design for a cartridge assembly for a typewriter, substantially as shown and described.

[\*\*] Term: 14 Years

DESCRIPTION

[21] Appl. No.: 801,288

FIG. 1 is a top plan view of a cartridge assembly for a typewriter showing our new design; FIG. 2 is a bottom plan view thereof; FIG. 3 is a rear elevational view thereof; FIG. 4 is a front elevational view thereof; FIG. 5 is a right end elevational view thereof; and FIG. 6 is a left end elevational view thereof; FIG. 7 is a top plan view of a cartridge assembly for a typewriter showing a modified form of our new design; FIG. 8 is a bottom plan view thereof; FIG. 9 is a rear elevational view thereof; FIG. 10 is a front elevational view thereof; FIG. 11 is a right end elevational view thereof; and FIG. 12 is a left end elevational view thereof;

[22] Filed: May 27, 1977

[51] Int. Cl. .... D18-01

[52] U.S. Cl. .... D18/12

[58] Field of Search ..... D64/11 A; D14/11; 242/55.19 A, 194, 197-200; 400/196, 196.1, 207, 208, 208.1; D18/12

[56] References Cited

U.S. PATENT DOCUMENTS

D. 245,116 7/1977 Trezise ..... D64/11 A  
D. 247,033 1/1978 Muramatsu et al. .... D14/11  
3,008,661 11/1961 Estes et al. .... 242/199 X

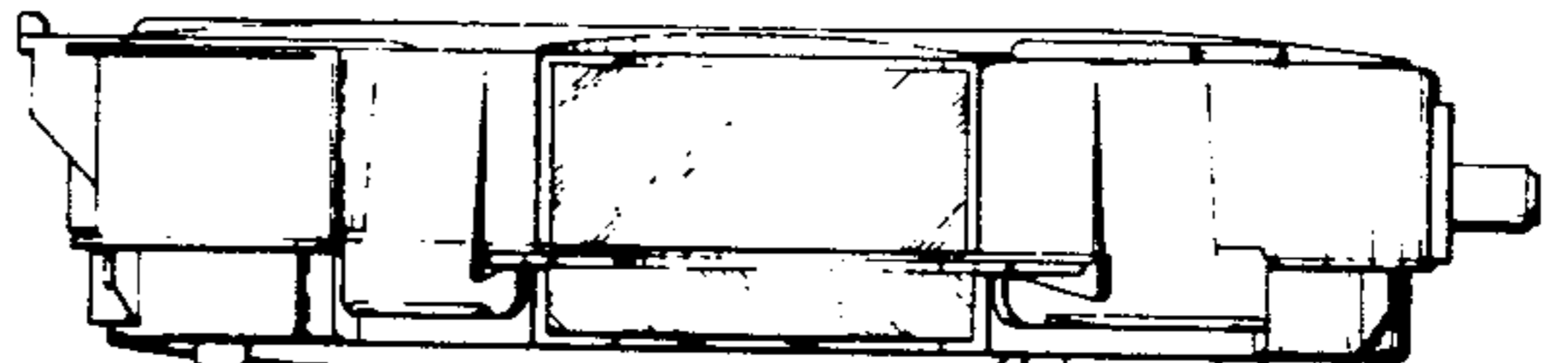
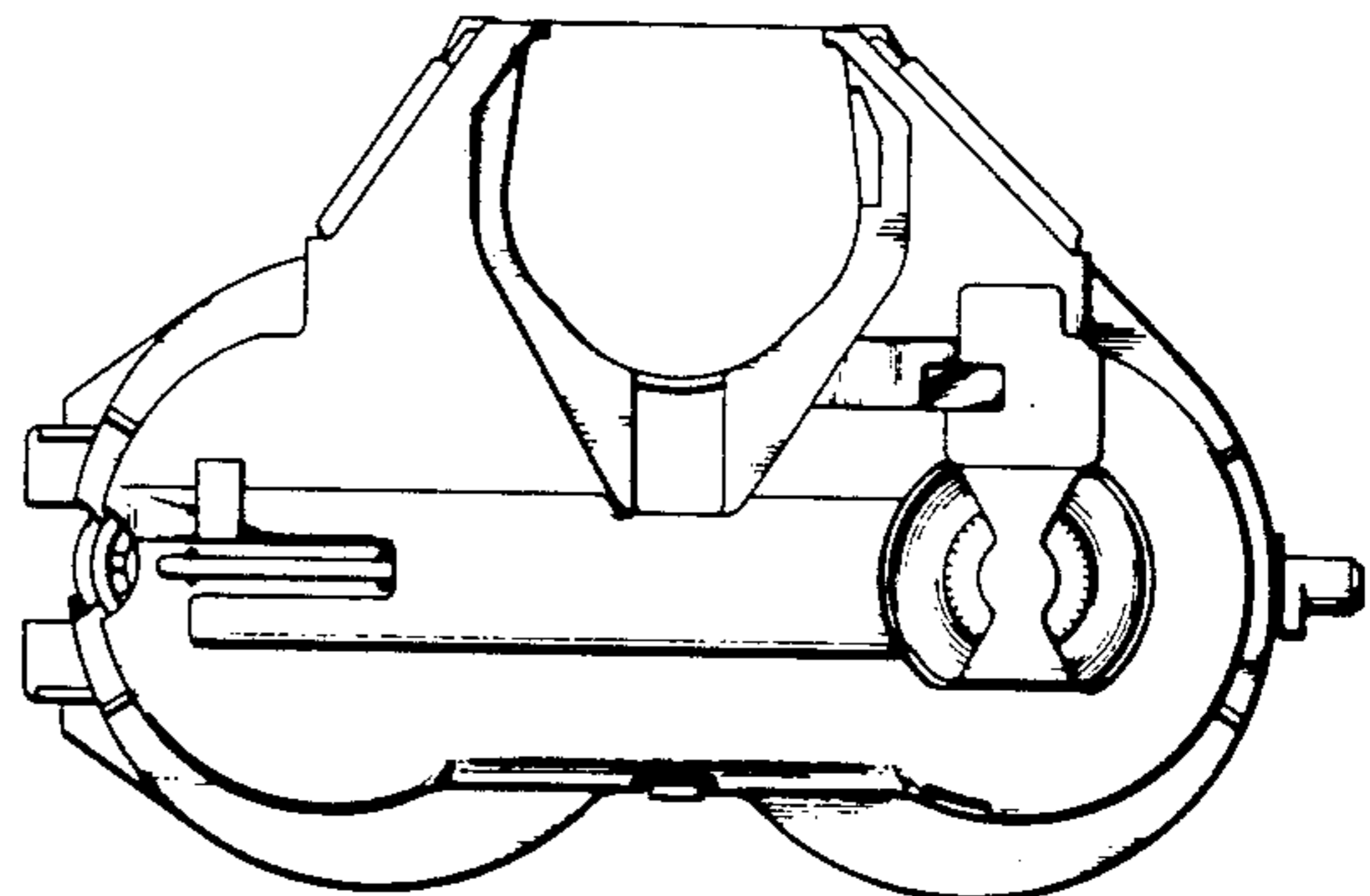
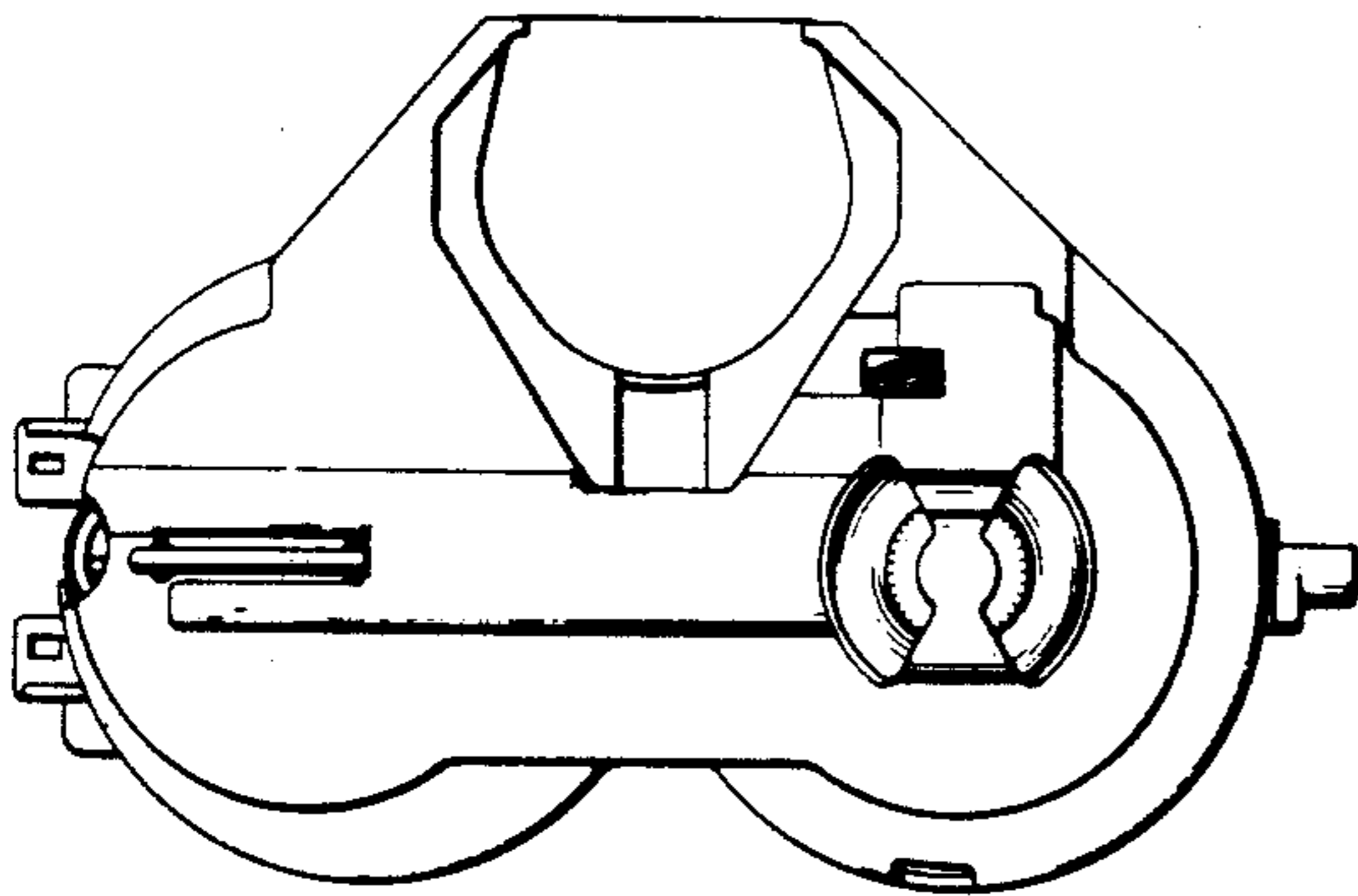


FIG. 1

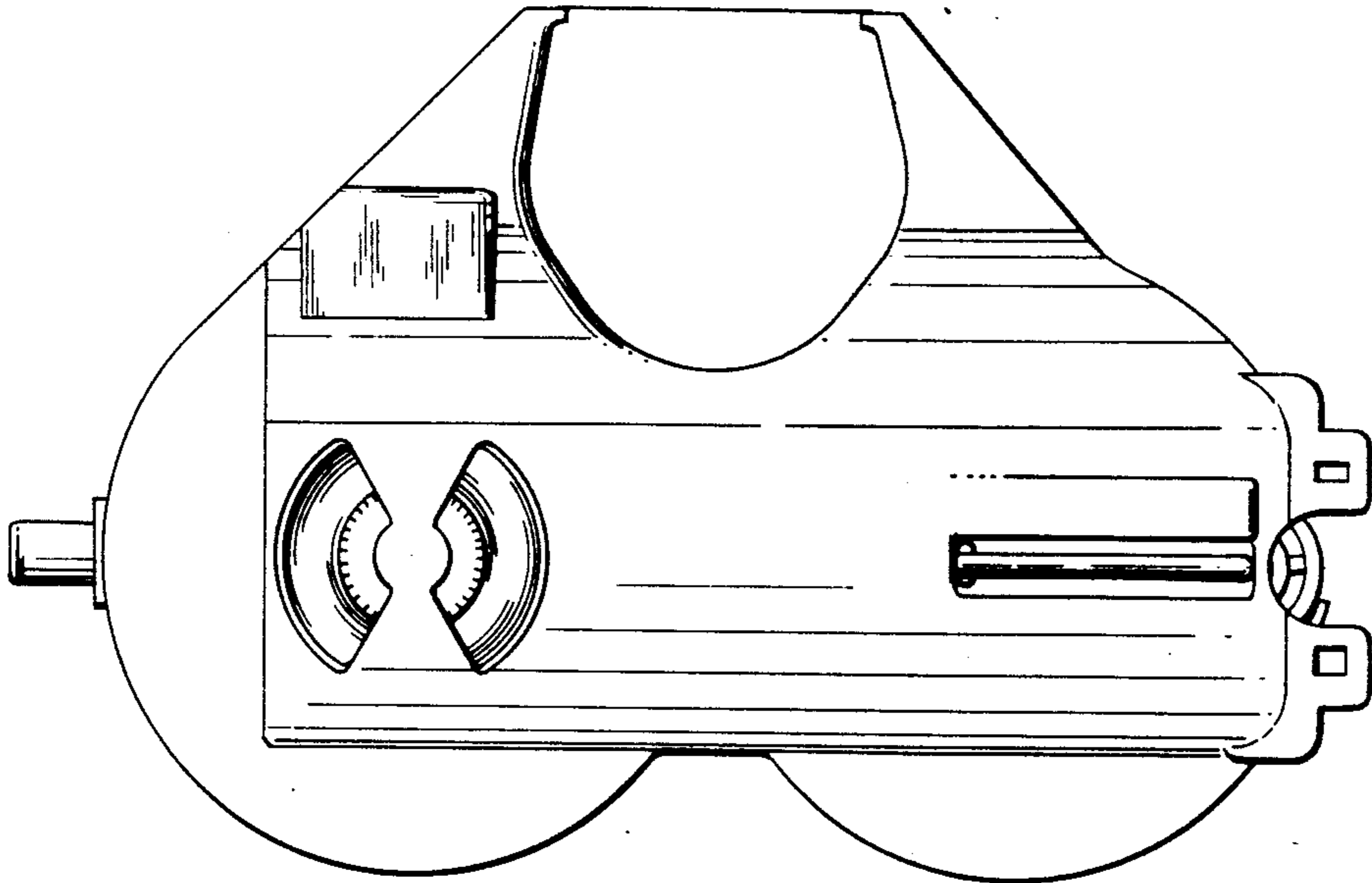


FIG. 2

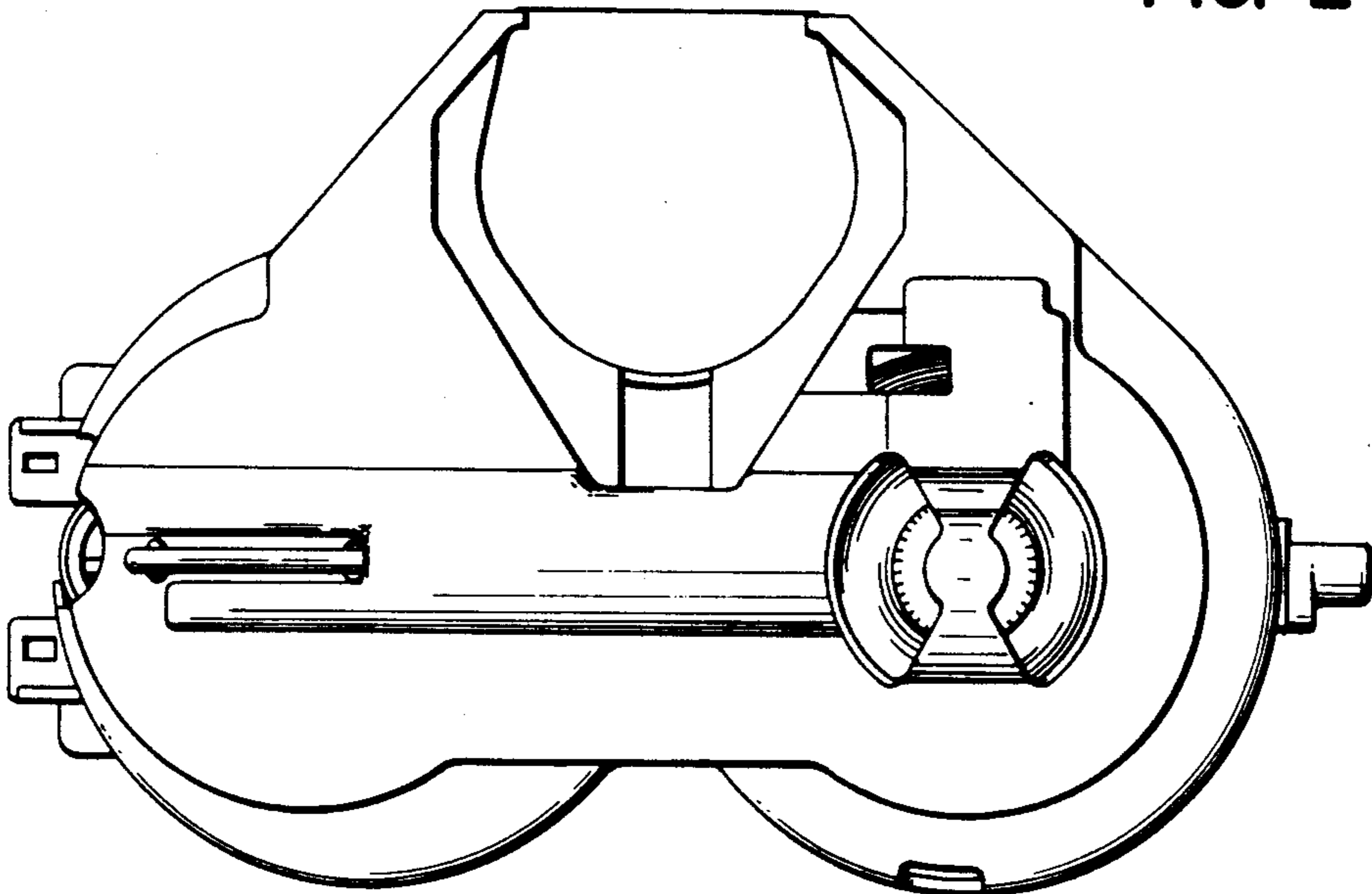


FIG. 3

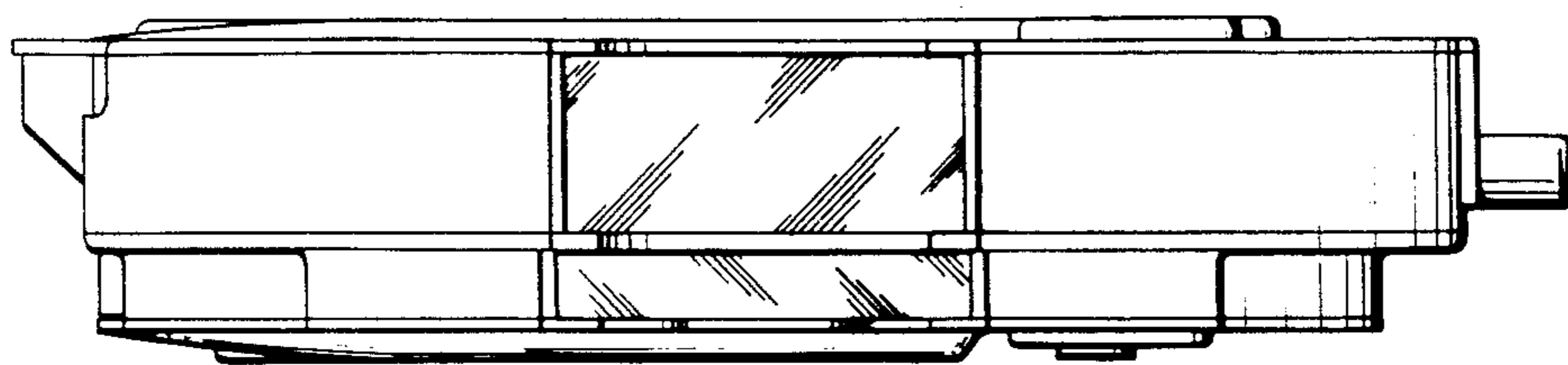


FIG. 4

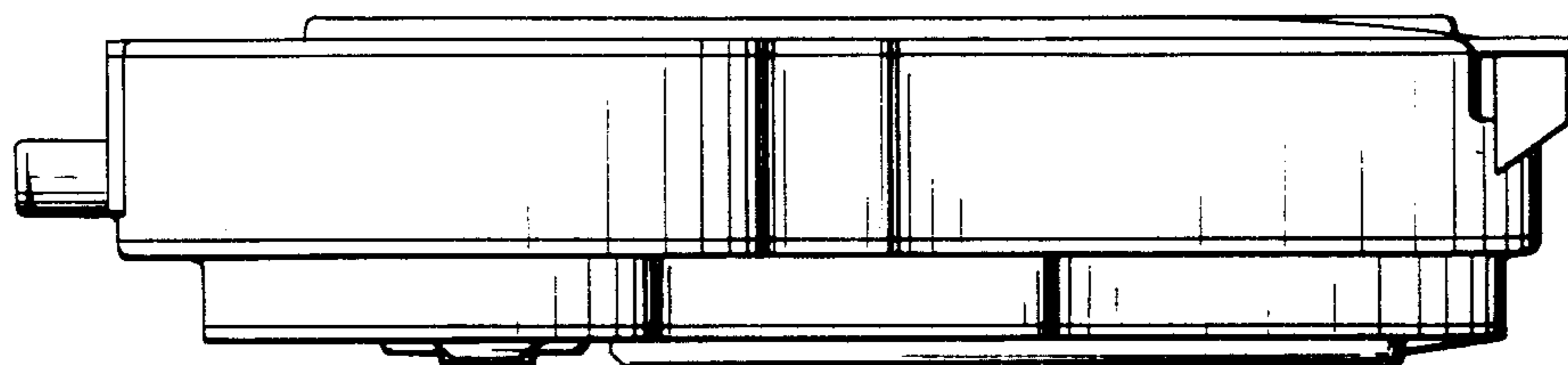


FIG. 5

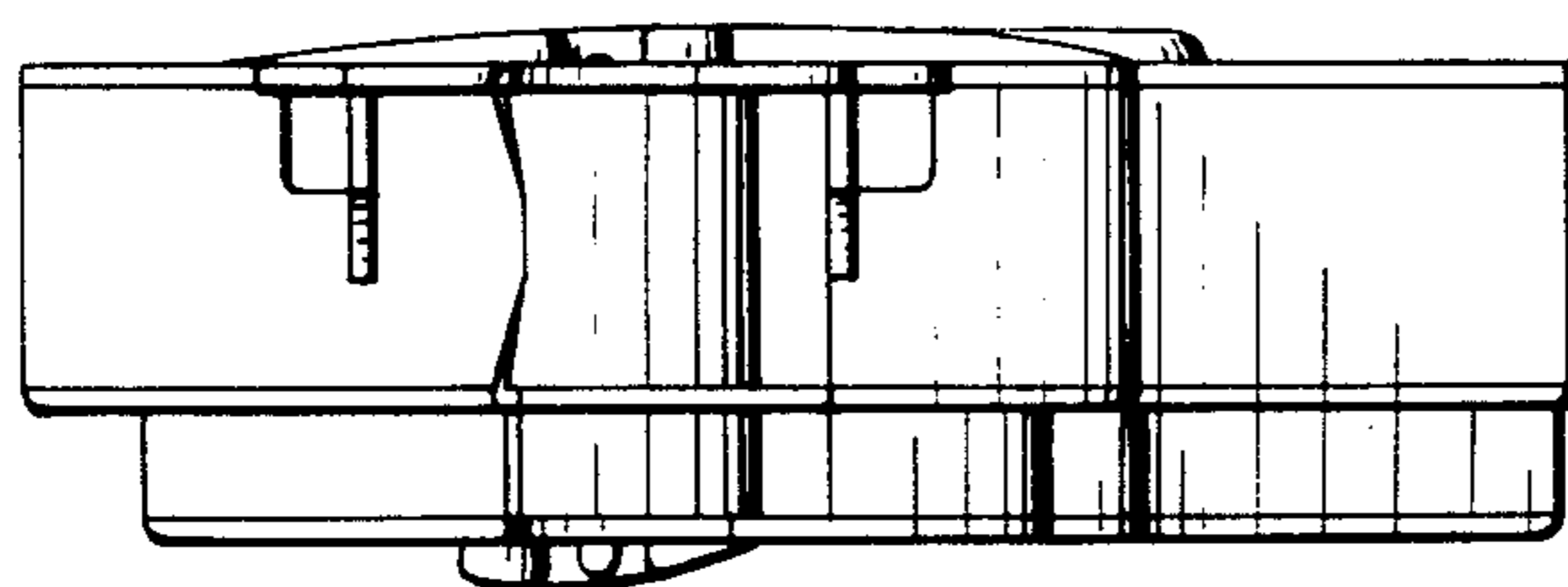


FIG. 6

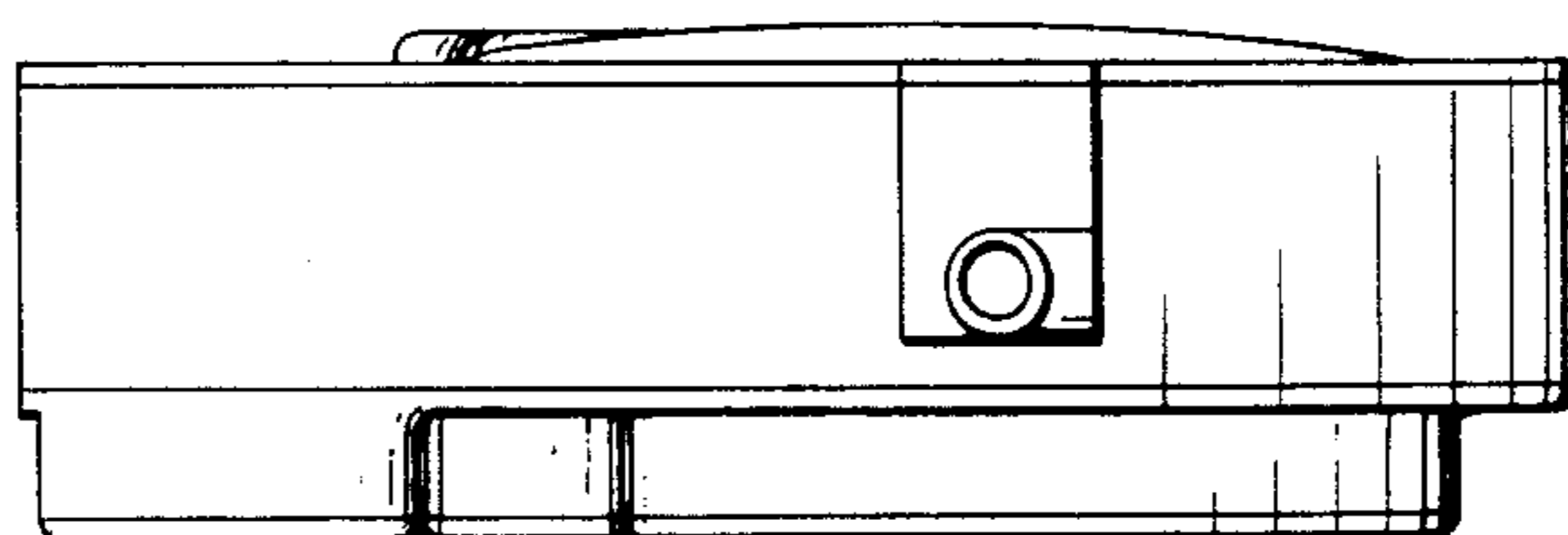


FIG. 7

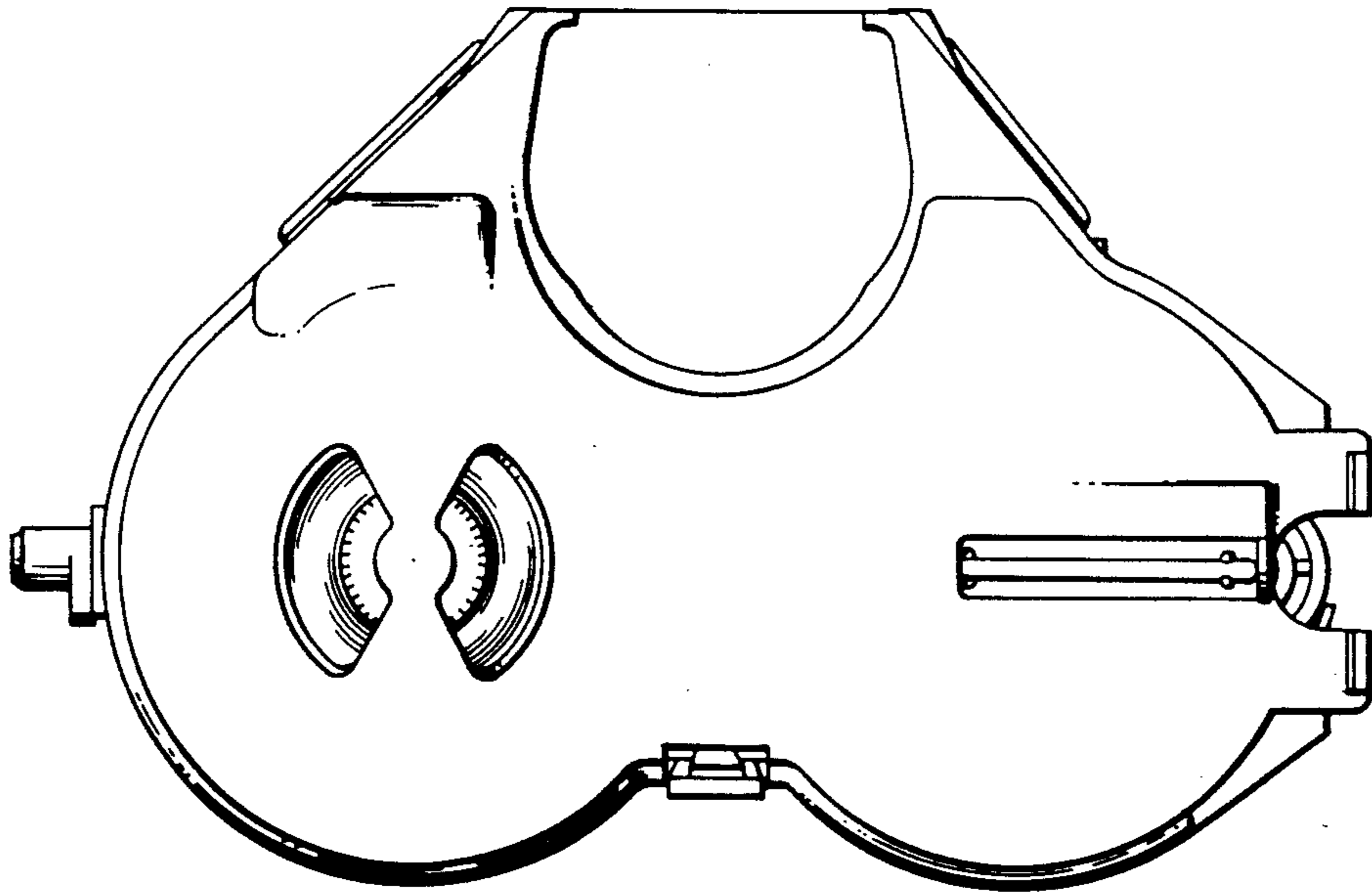


FIG. 8

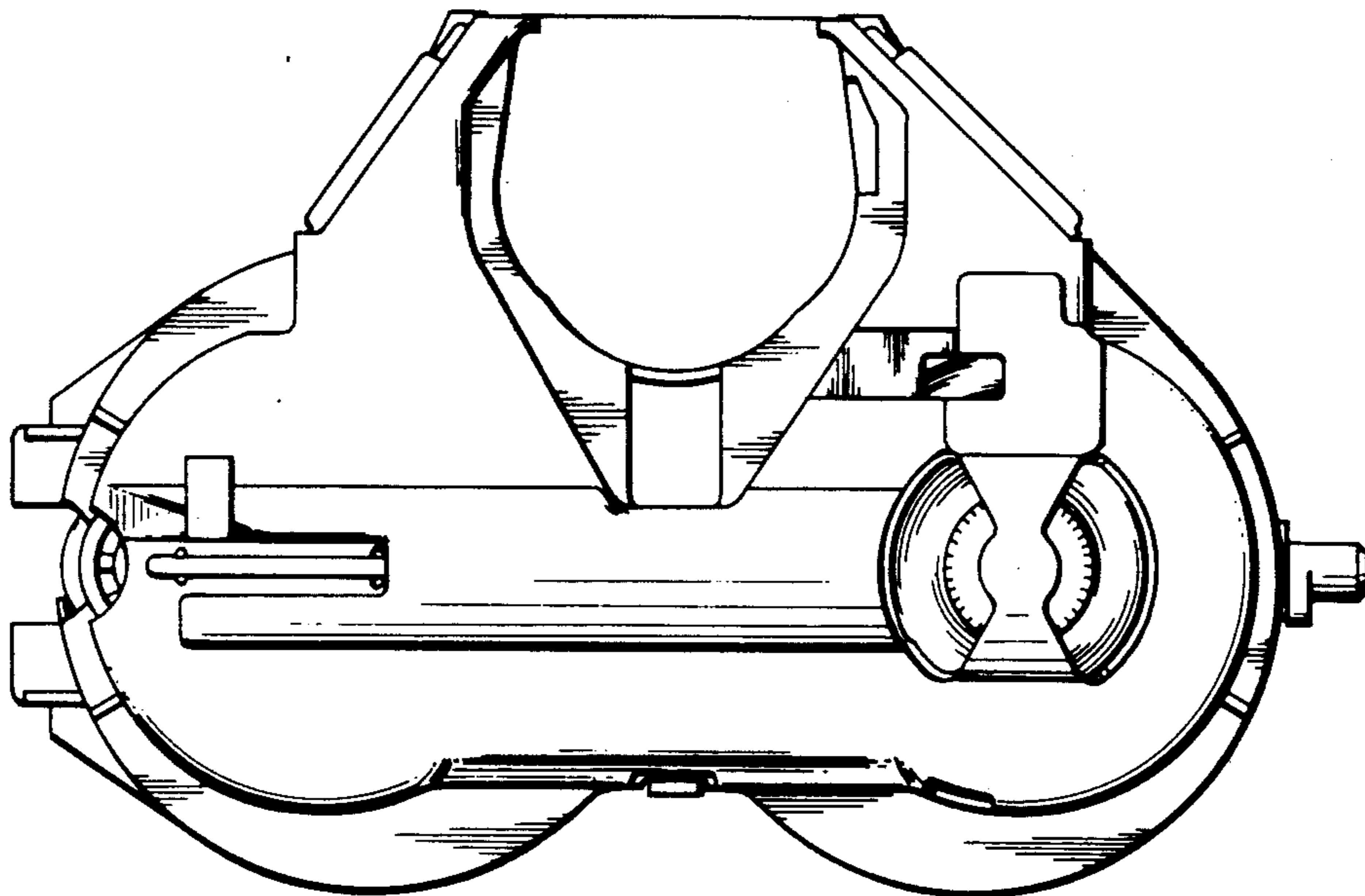


FIG. 9

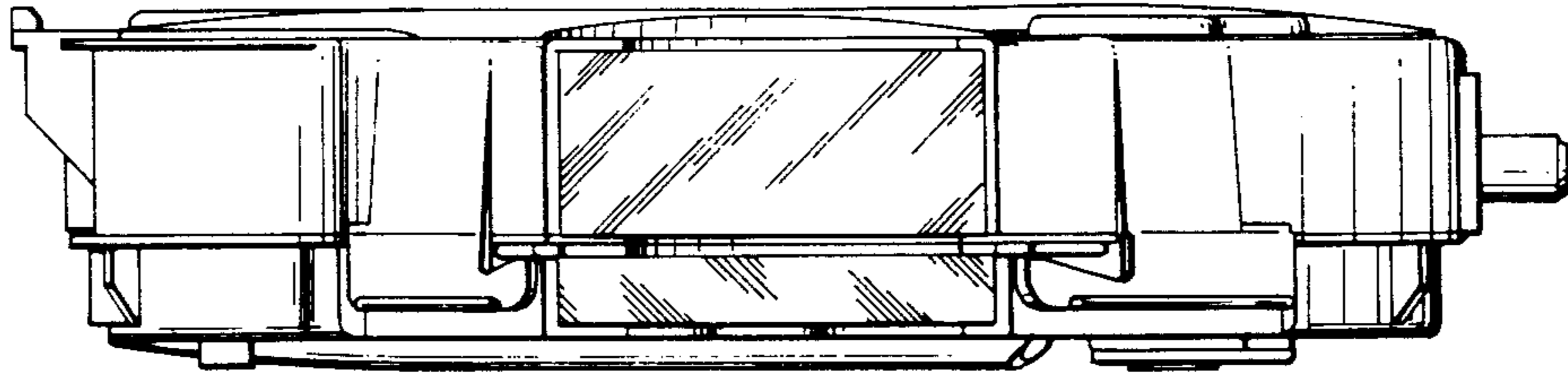


FIG. 10

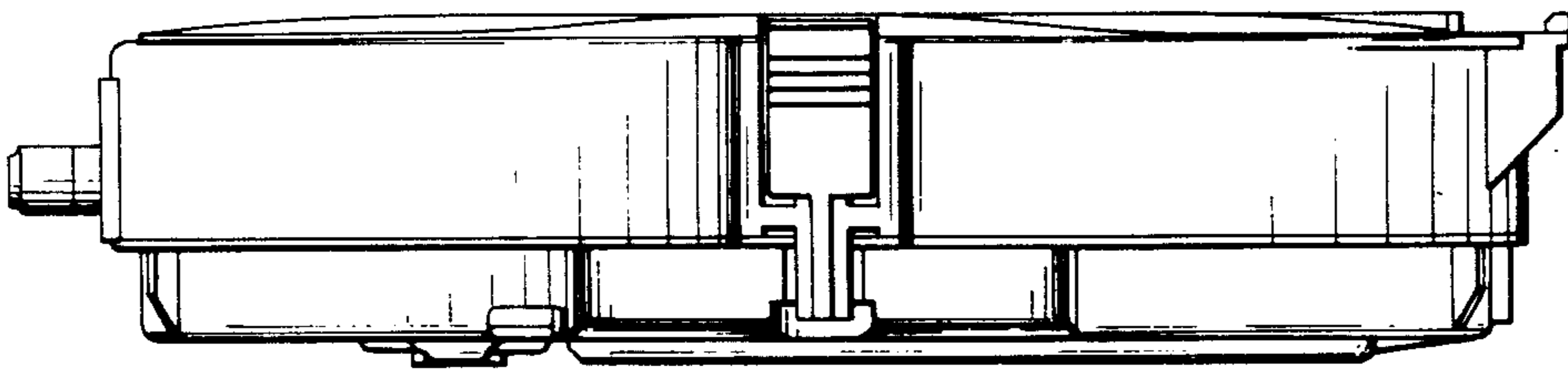


FIG. 11

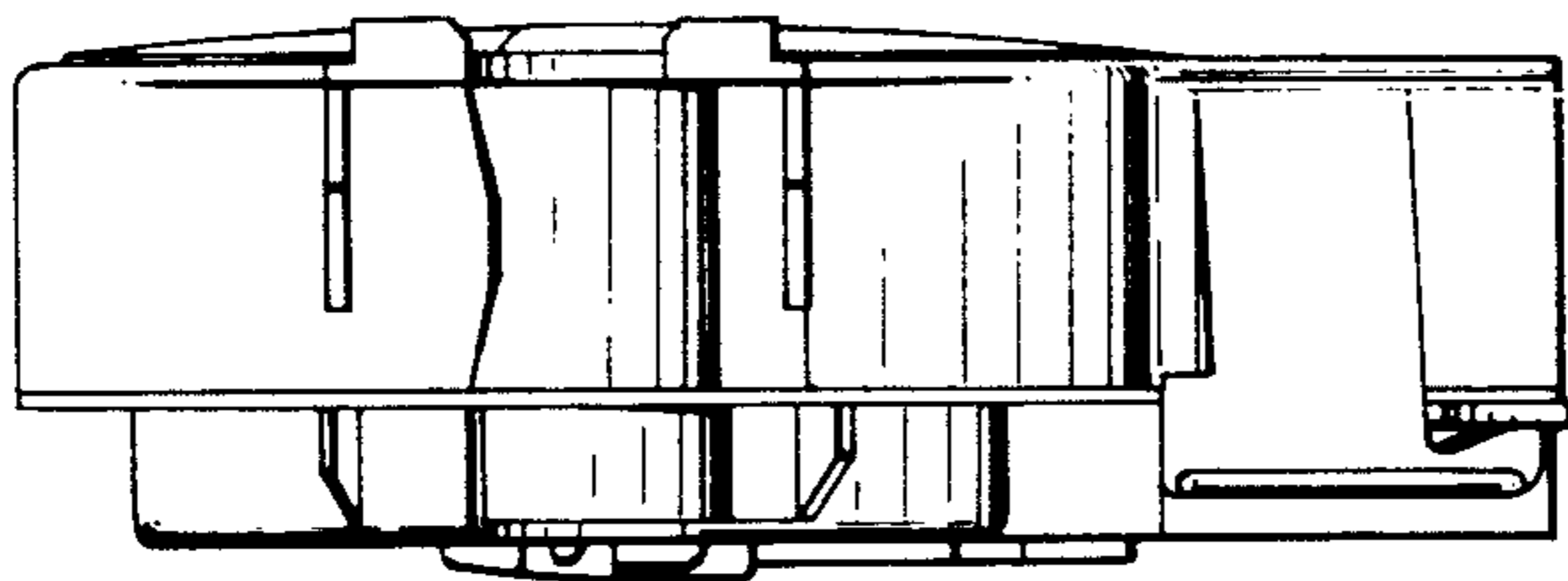


FIG. 12

