

[54] TELESCOPE CRADLE

[75] Inventors: Clyde O. Drauglis, Willow Grove; Peter W. Bressler, Philadelphia, both of Pa.

[73] Assignee: Edmund Scientific Company, Barrington, N.J.

[**] Term: 14 Years

[21] Appl. No.: 830,363

[22] Filed: Sep. 2, 1977

[51] Int. Cl. D16-08

[52] U.S. Cl. D16/60; D16/83

[58] Field of Search 350/83, 84, 85; D16/60, D16/83

[56] References Cited

U.S. PATENT DOCUMENTS

D. 191,377	9/1961	Kraus	D16/60
D. 199,371	10/1964	Kraus	D16/60
2,981,572	4/1961	Kühne	350/83
3,751,134	8/1973	McMahon	350/85 X
3,885,858	5/1975	Hildemann	350/83
3,942,865	3/1976	Rand	350/83

FOREIGN PATENT DOCUMENTS

1120736 12/1961 Fed. Rep. of Germany 350/383

OTHER PUBLICATIONS

Sky and Telescope, Mar. 1970, p. 200, Telescope, (bottom of page).

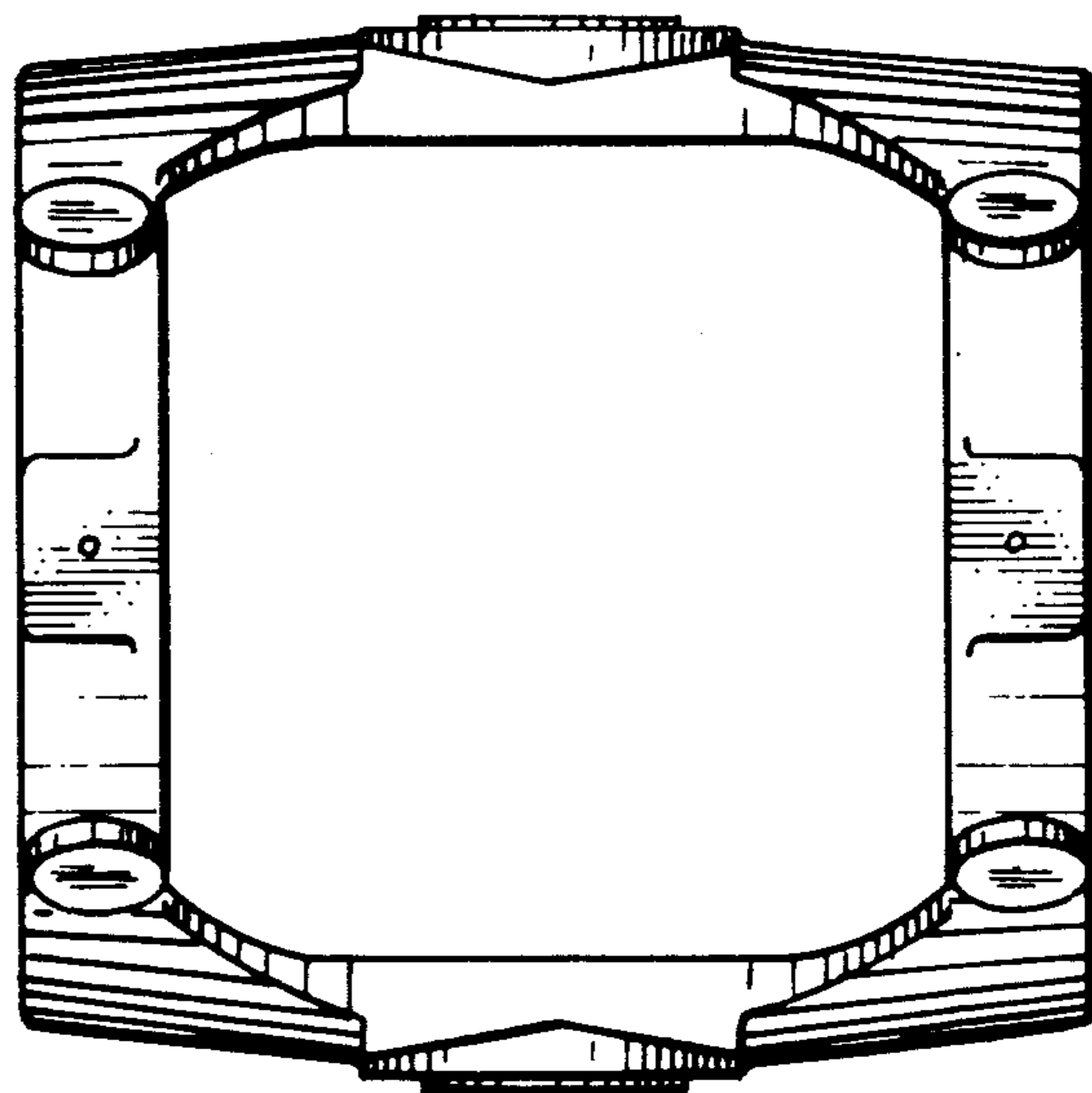
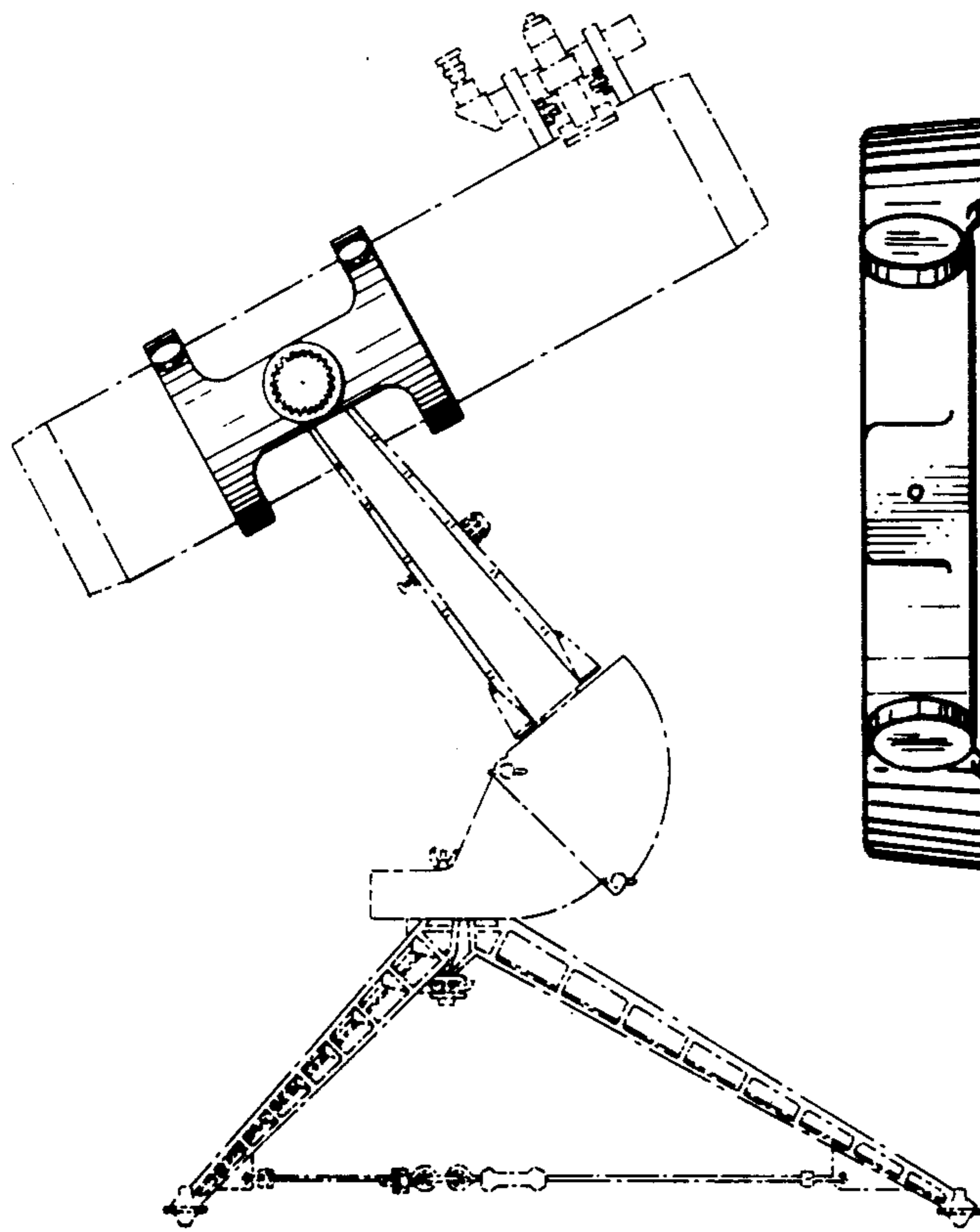
Primary Examiner—Bernard Ansher
Attorney, Agent, or Firm—George A. Smith, Jr.

[57] CLAIM

The ornamental design for a telescope cradle, as shown and described.

DESCRIPTION

FIG. 1 is a right-hand side elevation of a telescope cradle showing our new design; FIG. 2 is a top plan view thereof; FIG. 3 is a bottom plan view thereof; FIG. 4 is a rear elevation thereof; FIG. 5 is a front elevation thereof; and FIG. 6 is a right-hand side elevation thereof showing the relation of the cradle to a telescope and mount, the latter elements being shown in broken lines to denote environmental structure only.



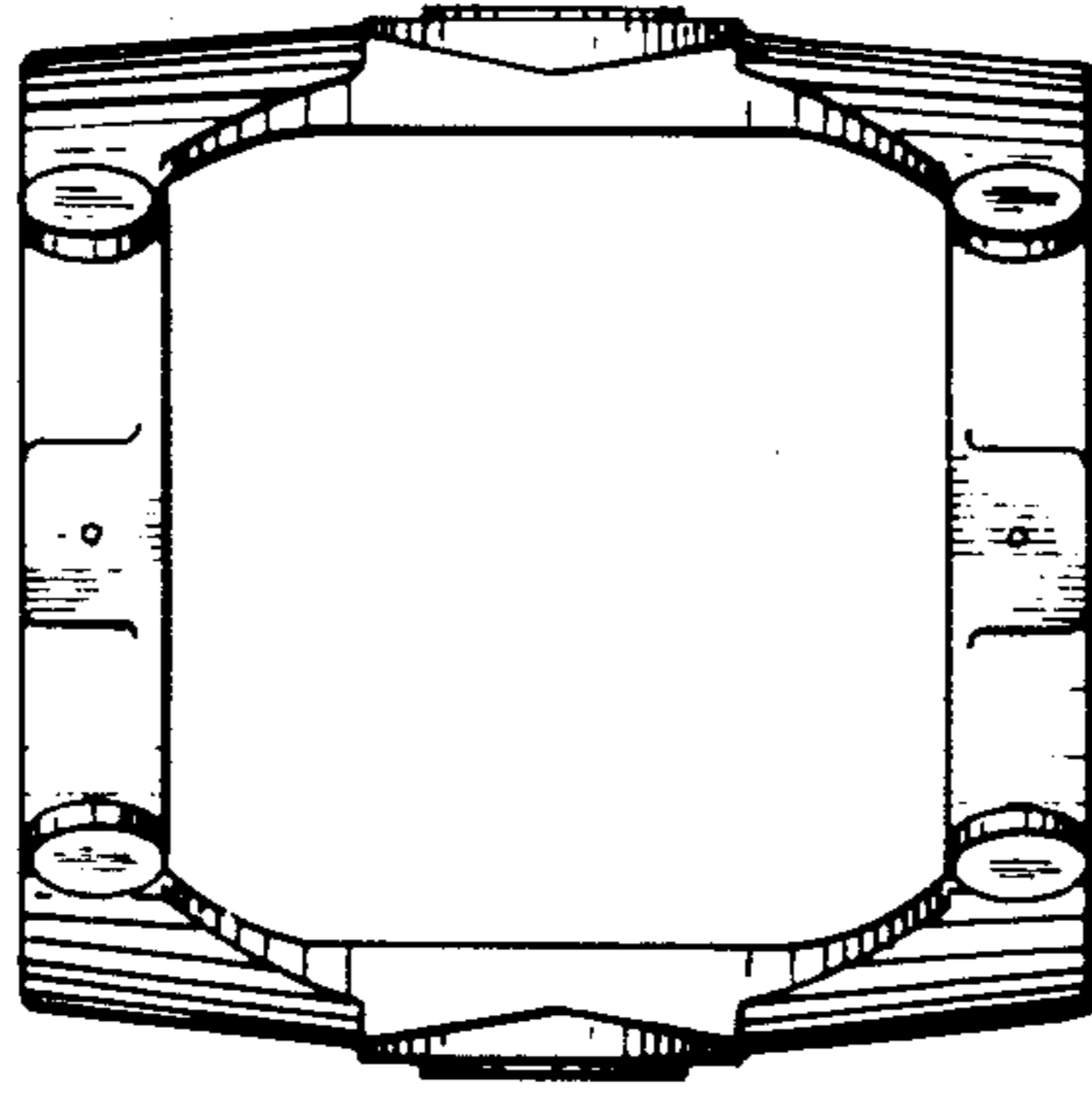


FIG. 2.

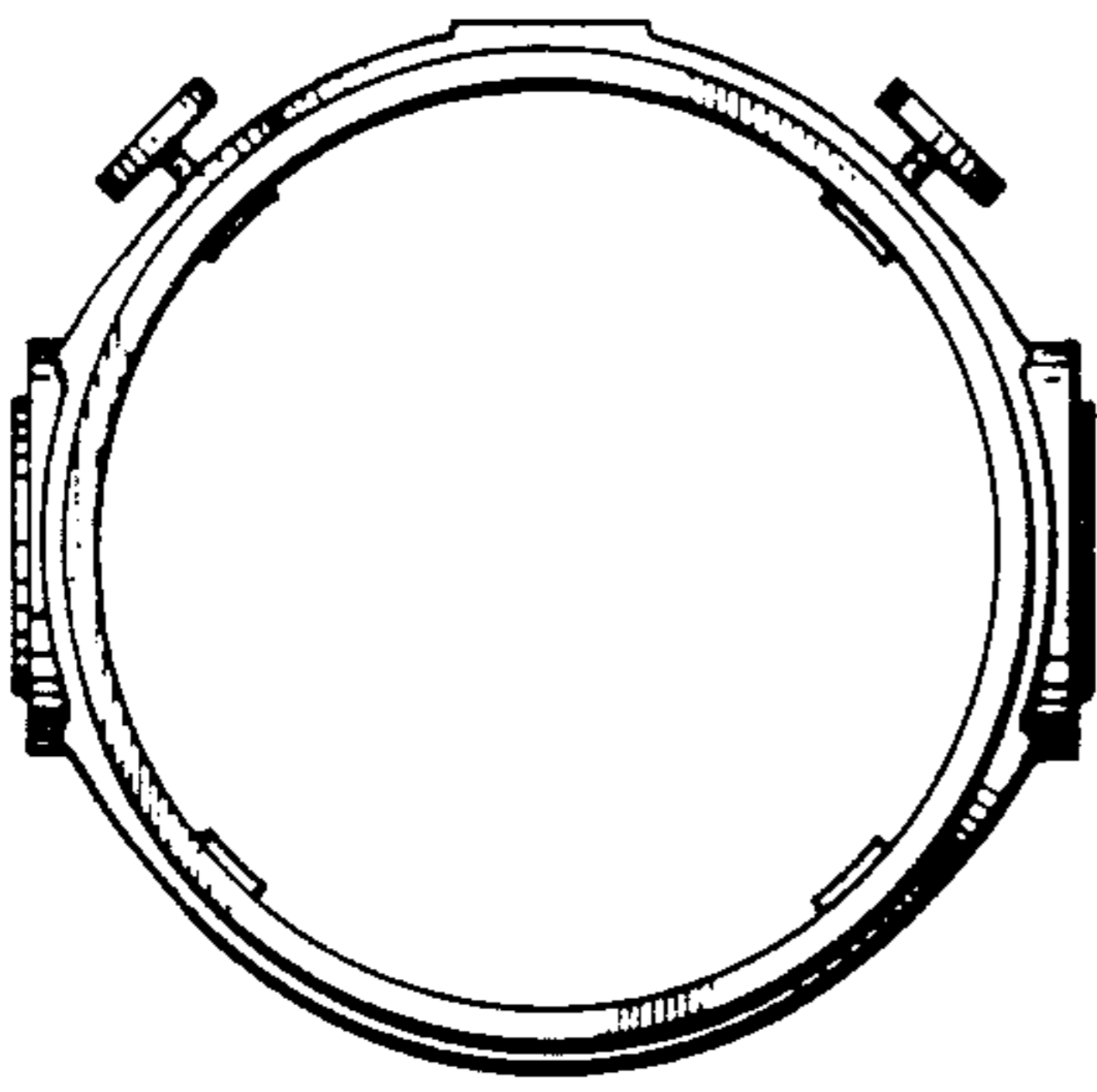


FIG. 4.

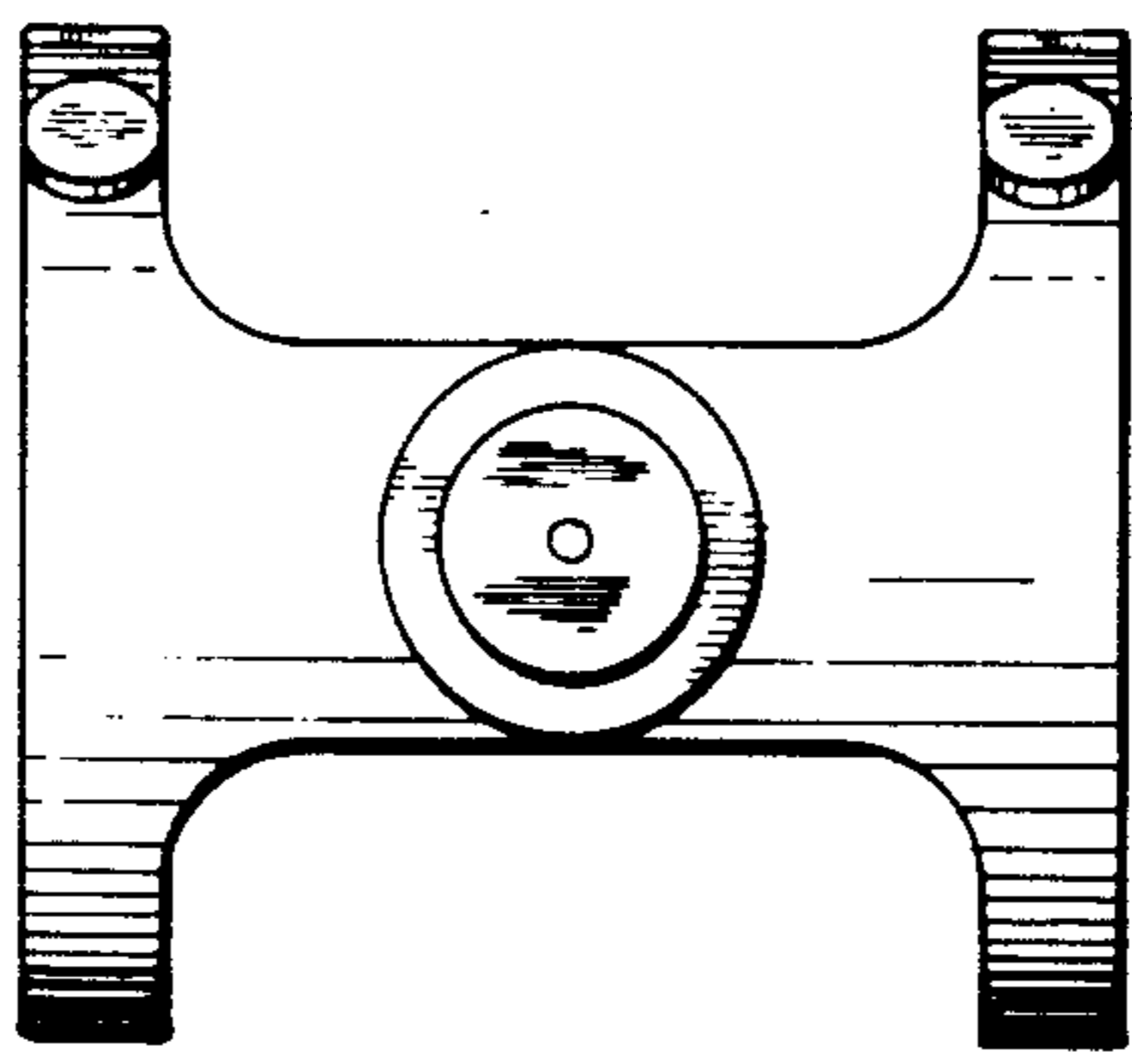


FIG. 1.

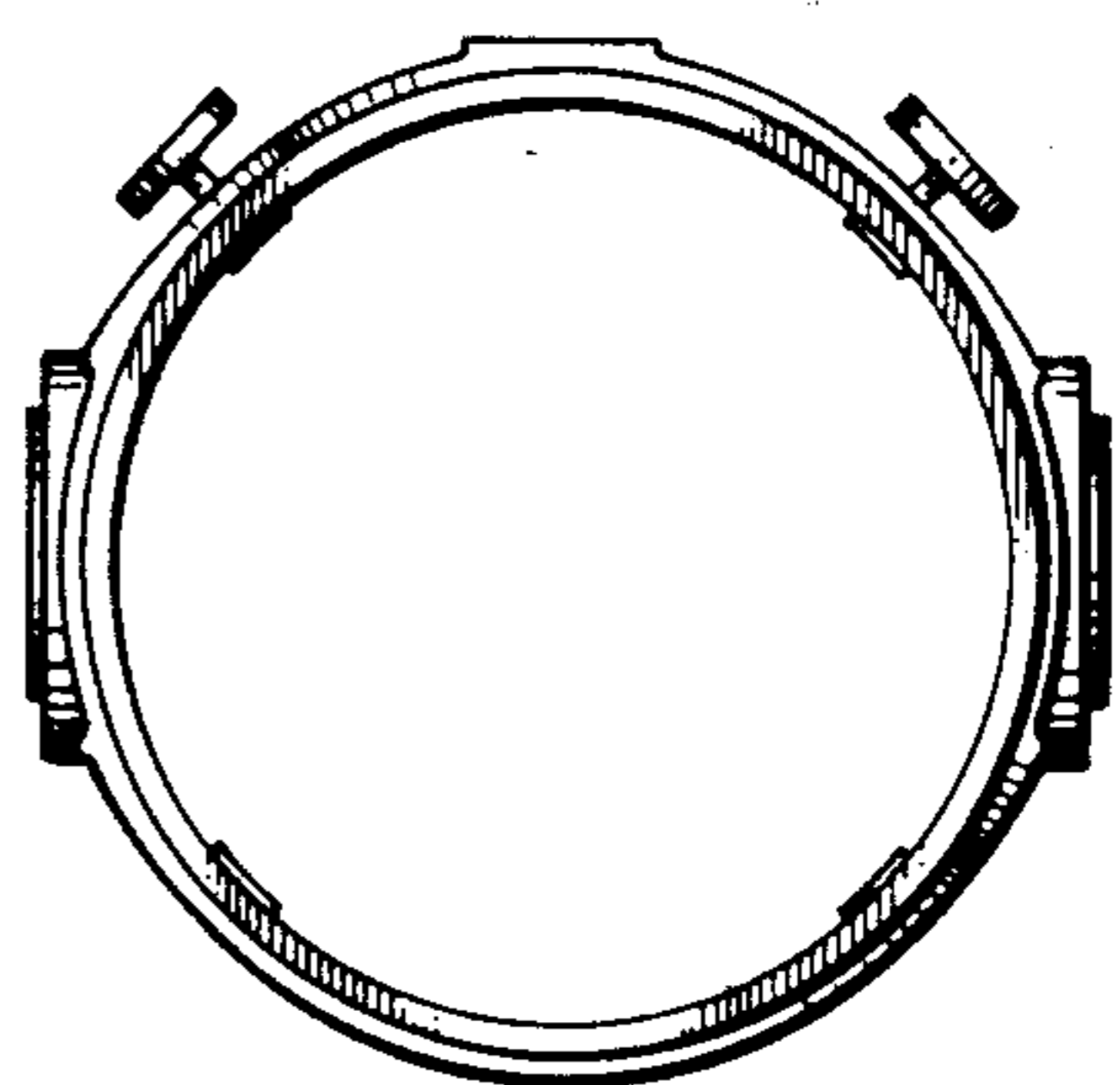


FIG. 5.

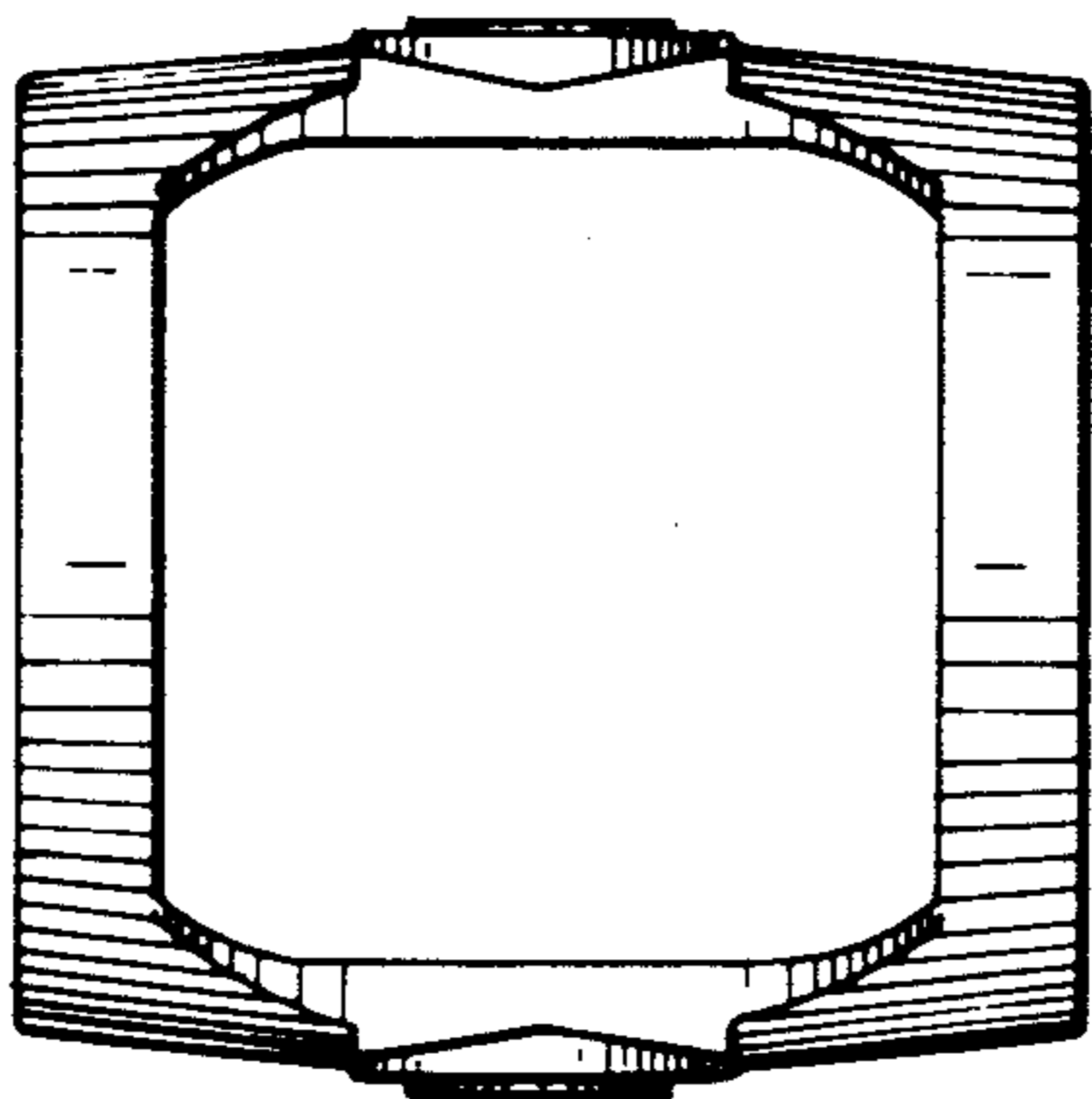


FIG. 3.

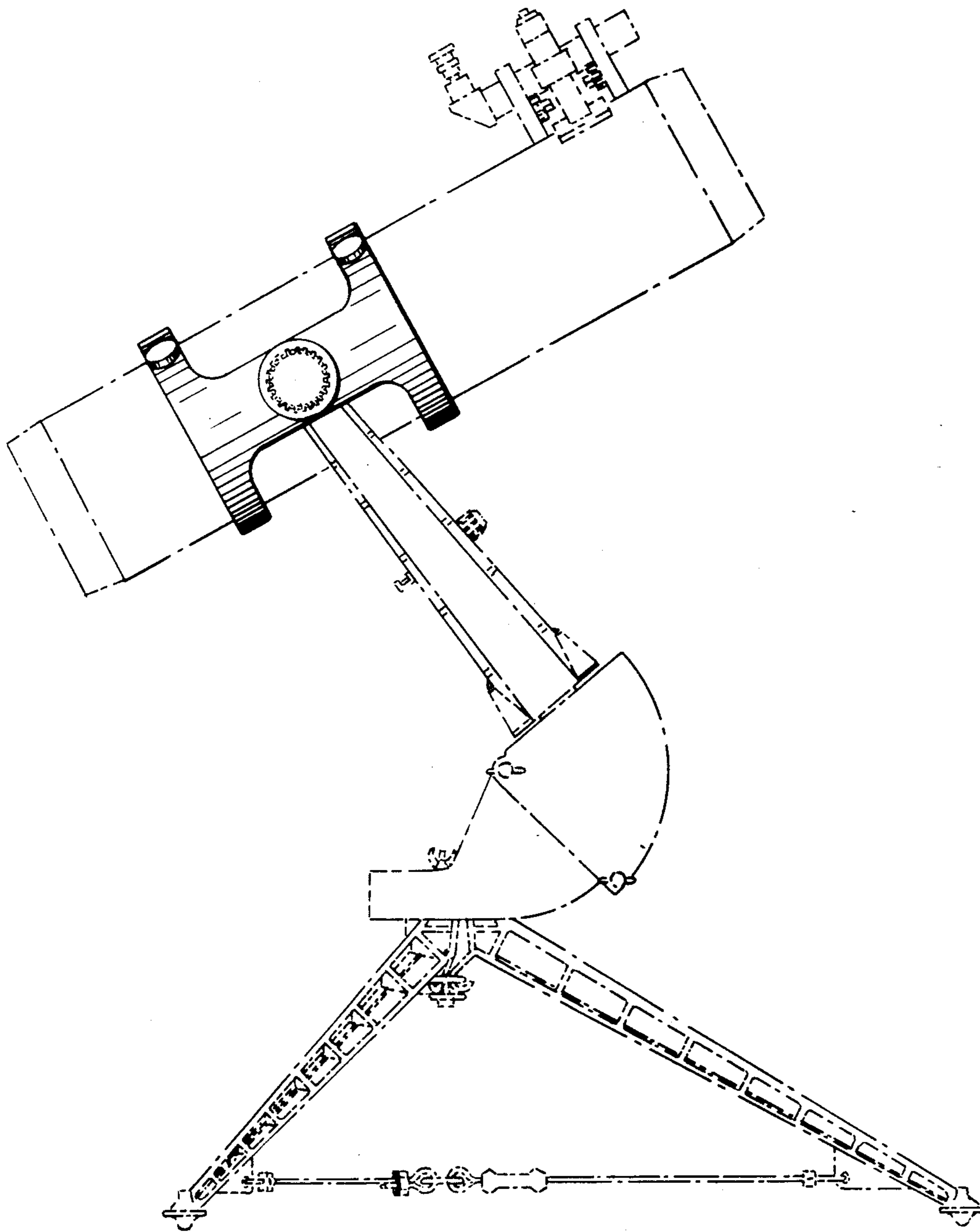


FIG. 6.