

[54] **OUTDOOR WEATHERPROOF PLATE AND CLOSURE COMBINATION**

[75] Inventors: **Salvatore C. Petralia**, Sayreville;
Richard Sangiamo, Roselle, both of N.J.

[73] Assignee: **Keene Corporation**, New York, N.Y.

[**] Term: **14 Years**

[21] Appl. No.: **833,606**

[22] Filed: **Sep. 15, 1977**

[51] Int. Cl. **D13—03; D8—09**

[52] U.S. Cl. **D8/353; D13/31**

[58] Field of Search **D8/350, 352, 353; 174/67; 220/242, 335; D13/31**

[56] **References Cited**

U.S. PATENT DOCUMENTS

D. 203,116	12/1965	Weitzman et al.	D8/350
D. 216,185	12/1969	Thompson	D13/31
3,204,807	9/1965	Ramsing	220/242
3,716,815	2/1973	Riches	174/67
4,134,516	1/1979	Sullo	174/67

Primary Examiner—Wallace R. Burke
Assistant Examiner—B. J. Bullock
Attorney, Agent, or Firm—David S. Kane

[57] **CLAIM**

The ornamental design for an outdoor weatherproof plate and closure combination, as shown and described.

DESCRIPTION

FIG. 1 is a front isometric view of an outdoor weatherproof plate and closure combination showing our new design;

FIG. 2 is a top plan view of FIG. 1;

FIG. 3 is a front elevational view of FIG. 1;

FIG. 4 is a side elevational view taken from the right of FIG. 1;

FIG. 5 is a rear elevational view of FIG. 1;

FIG. 6 is a bottom plan view of FIG. 1;

FIG. 7 is a front isometric view of a second embodiment of the design of FIG. 1;

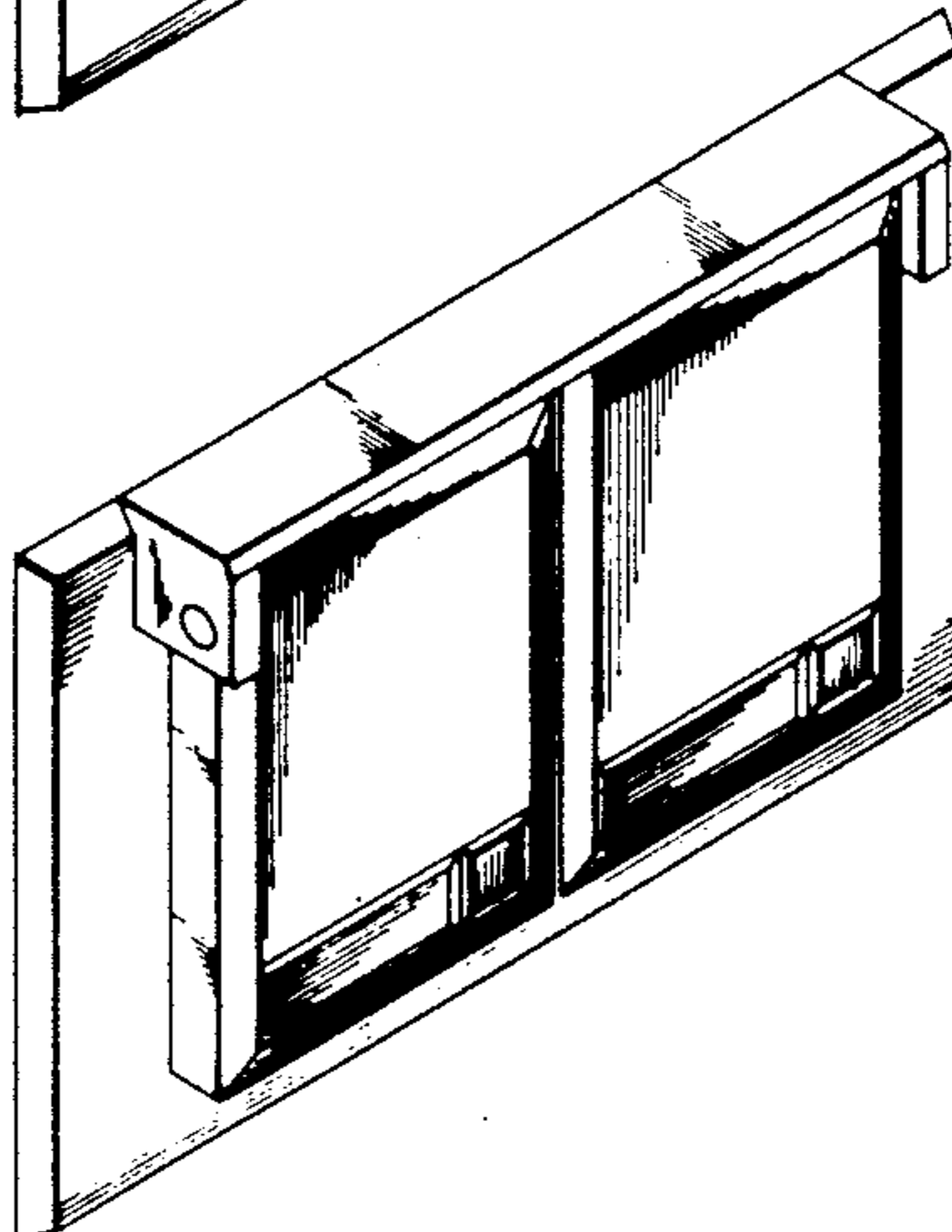
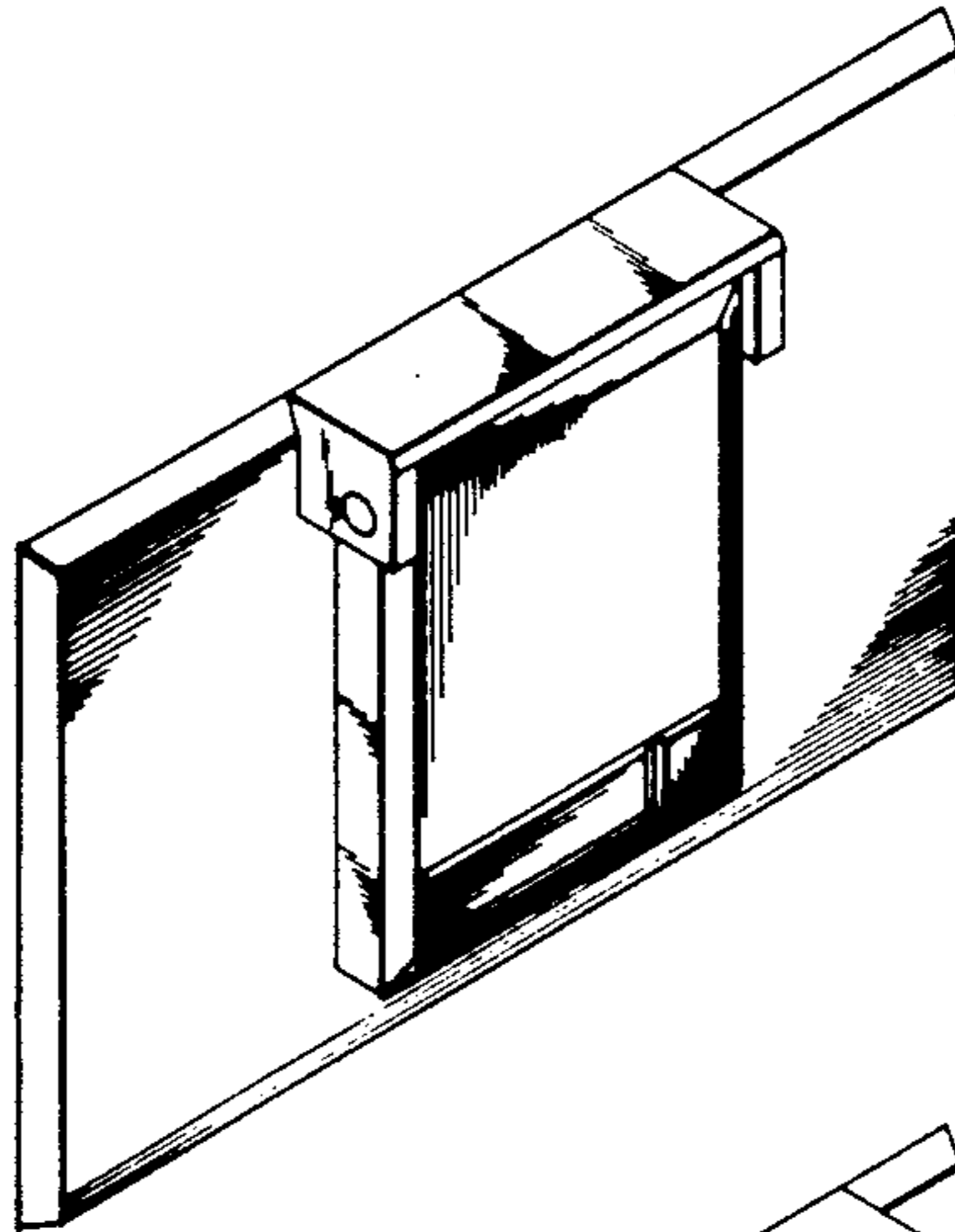
FIG. 8 is a top plan view of FIG. 7;

FIG. 9 is a front elevational view of FIG. 7;

FIG. 10 is a side elevational view taken from the right of FIG. 7;

FIG. 11 is a rear elevational view of FIG. 7;

FIG. 12 is a bottom plan view of FIG. 7.



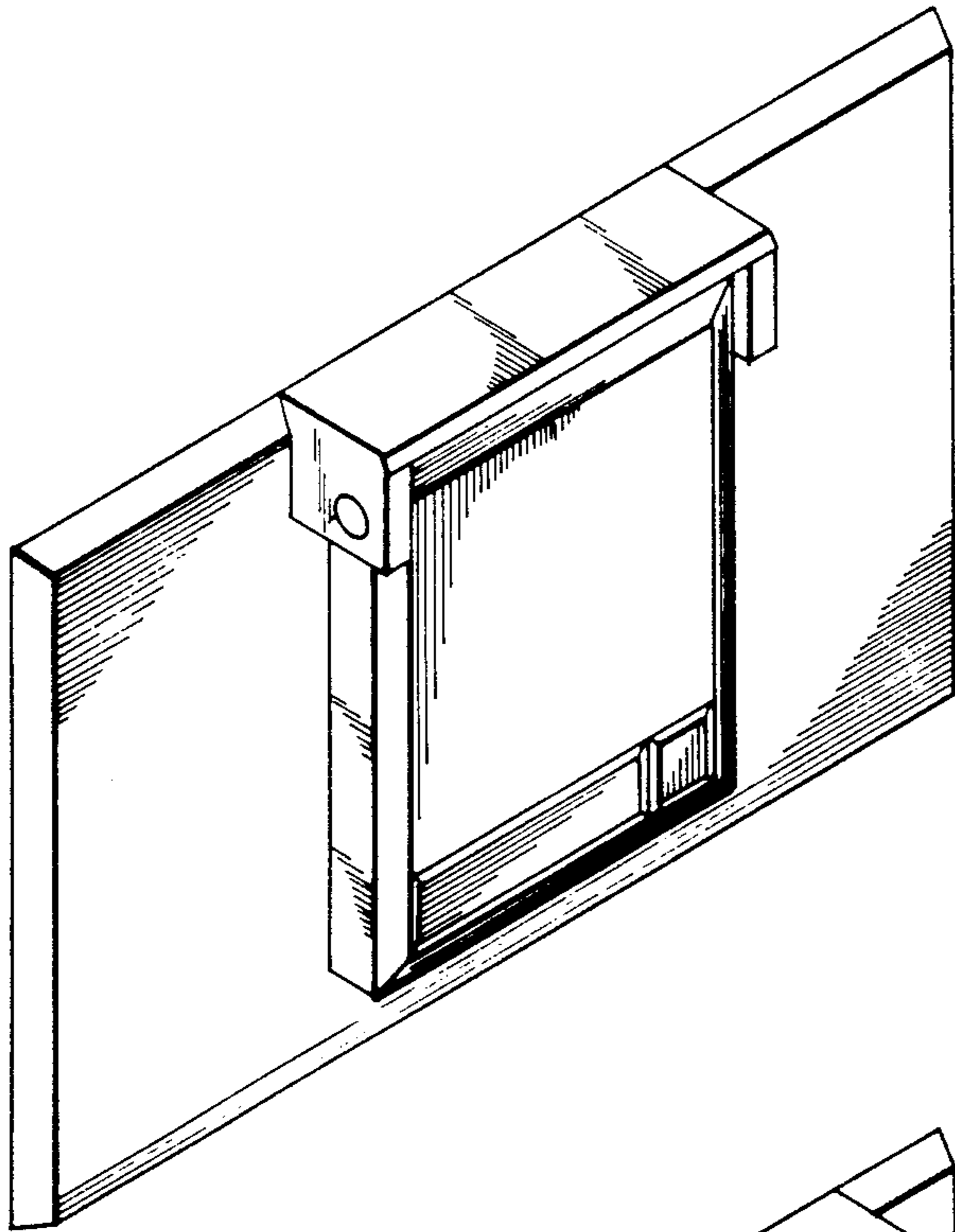


FIG. 1

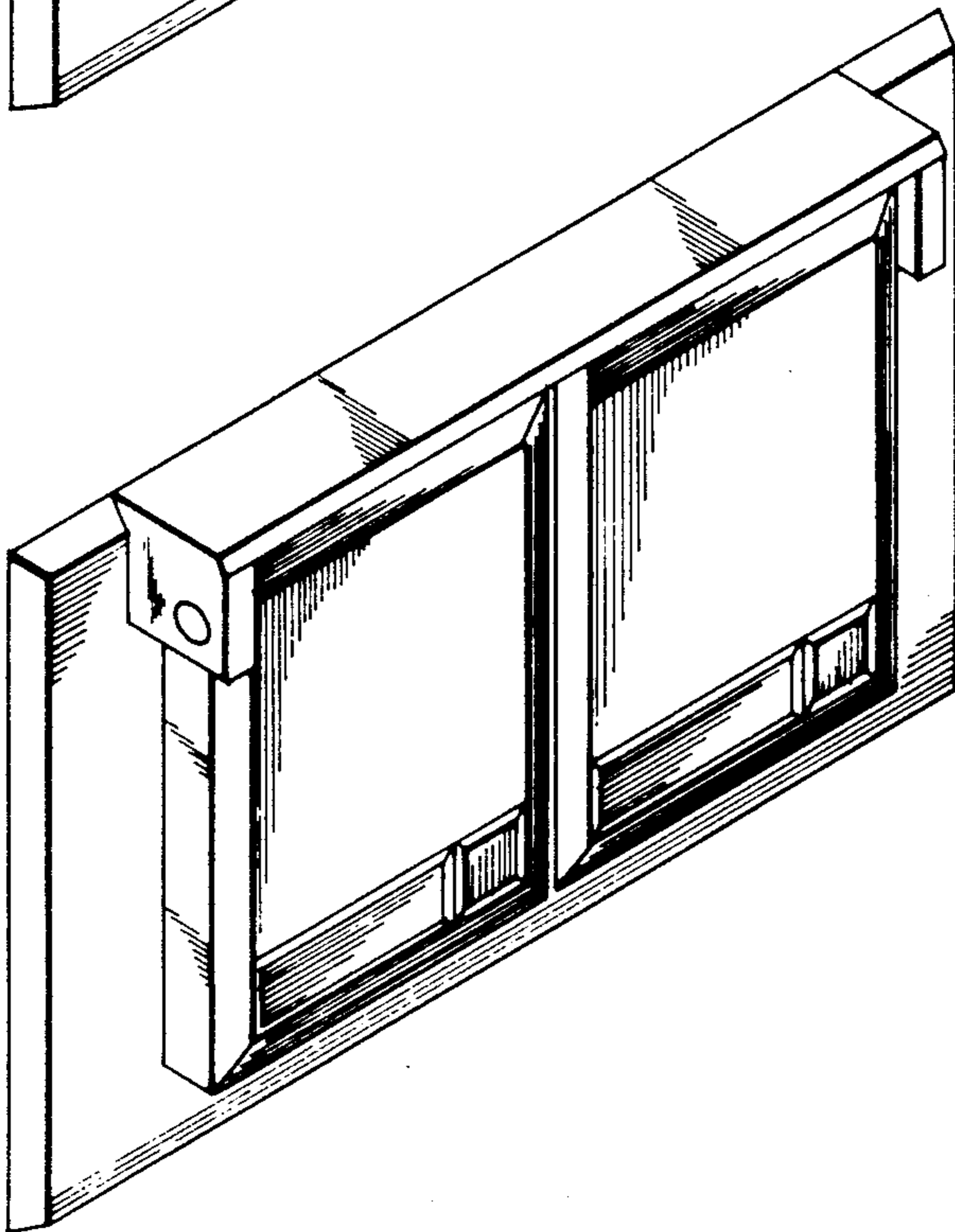


FIG. 7

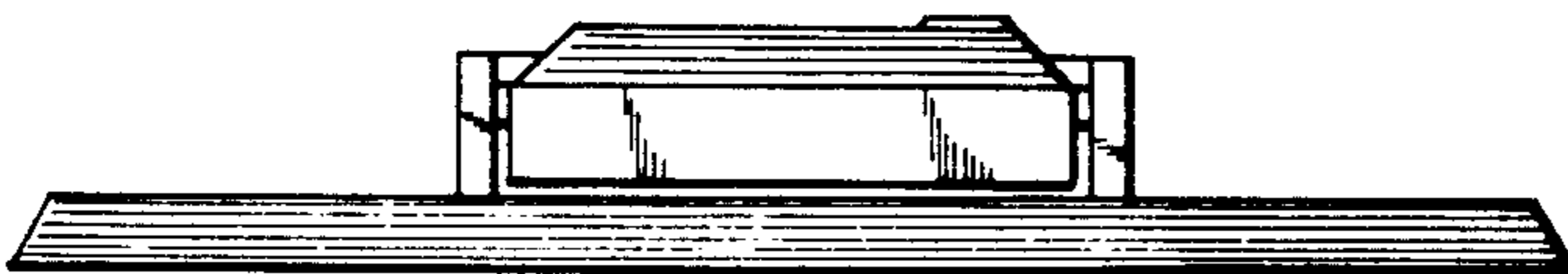
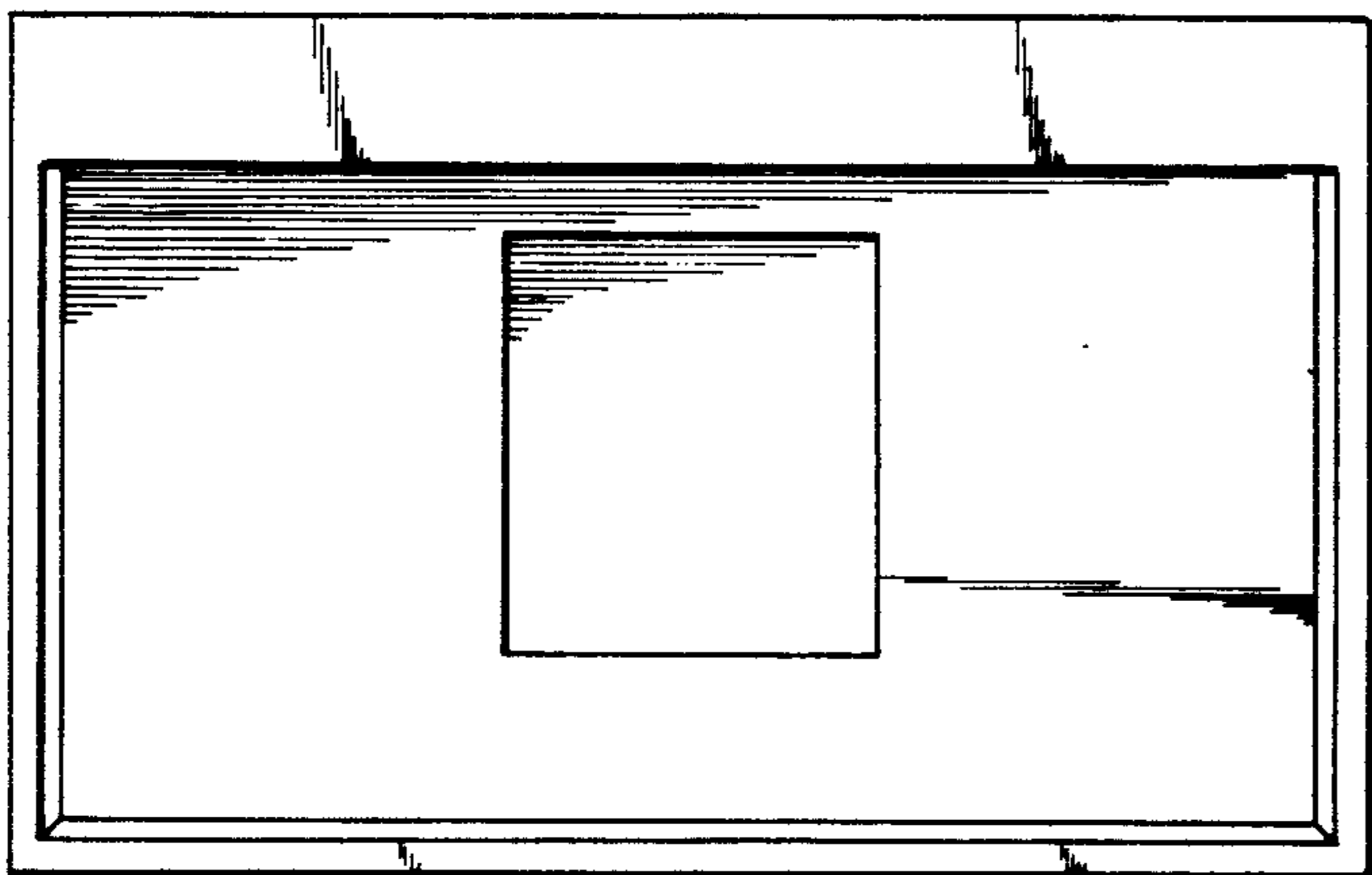
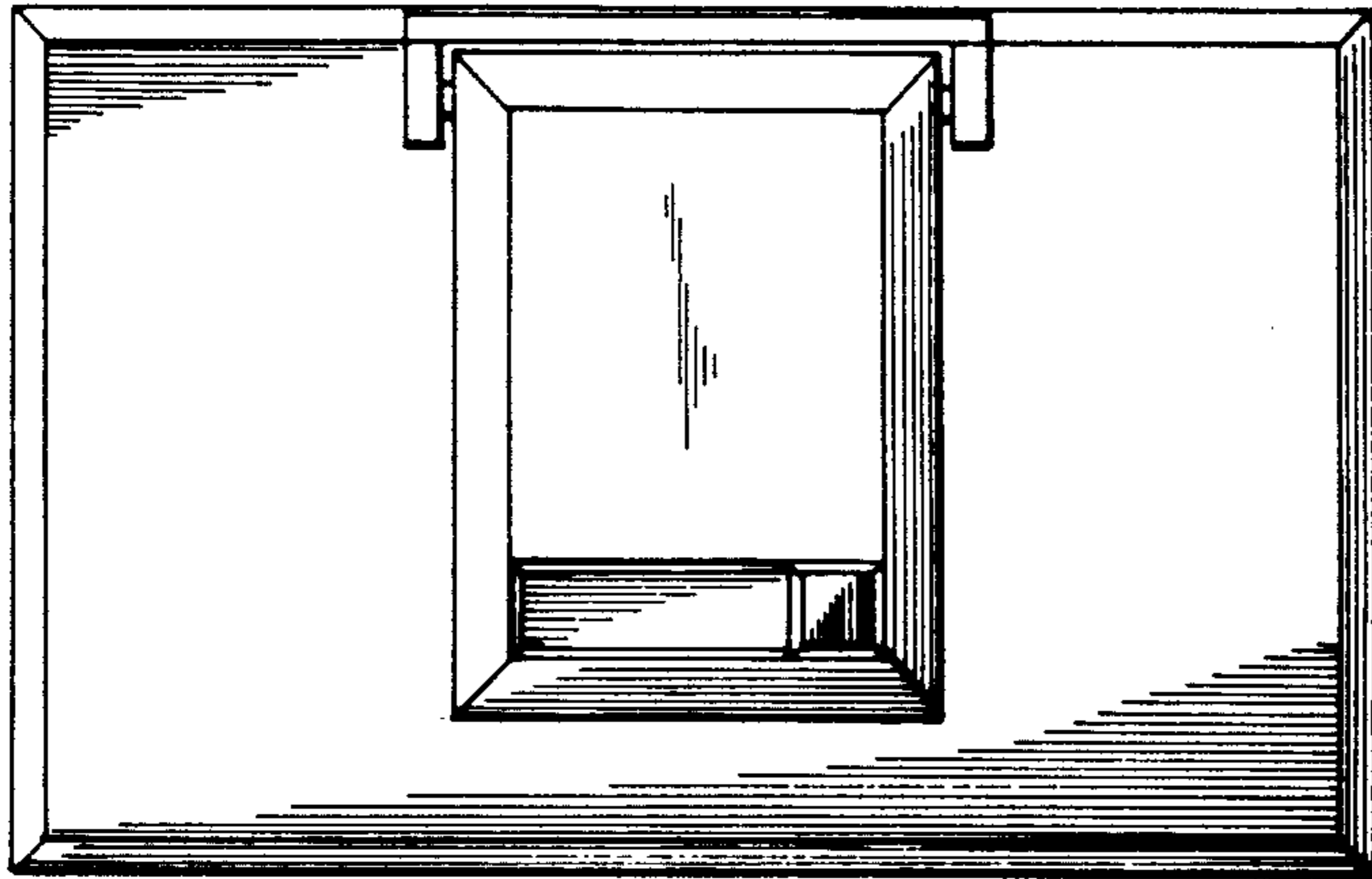
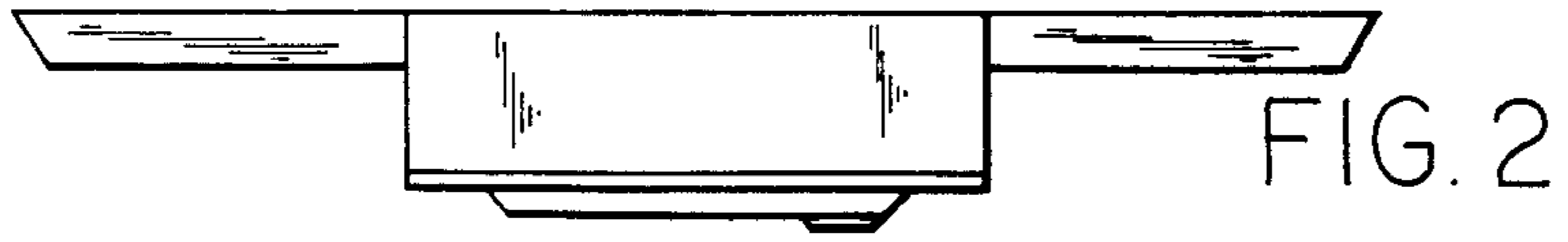




FIG. 8

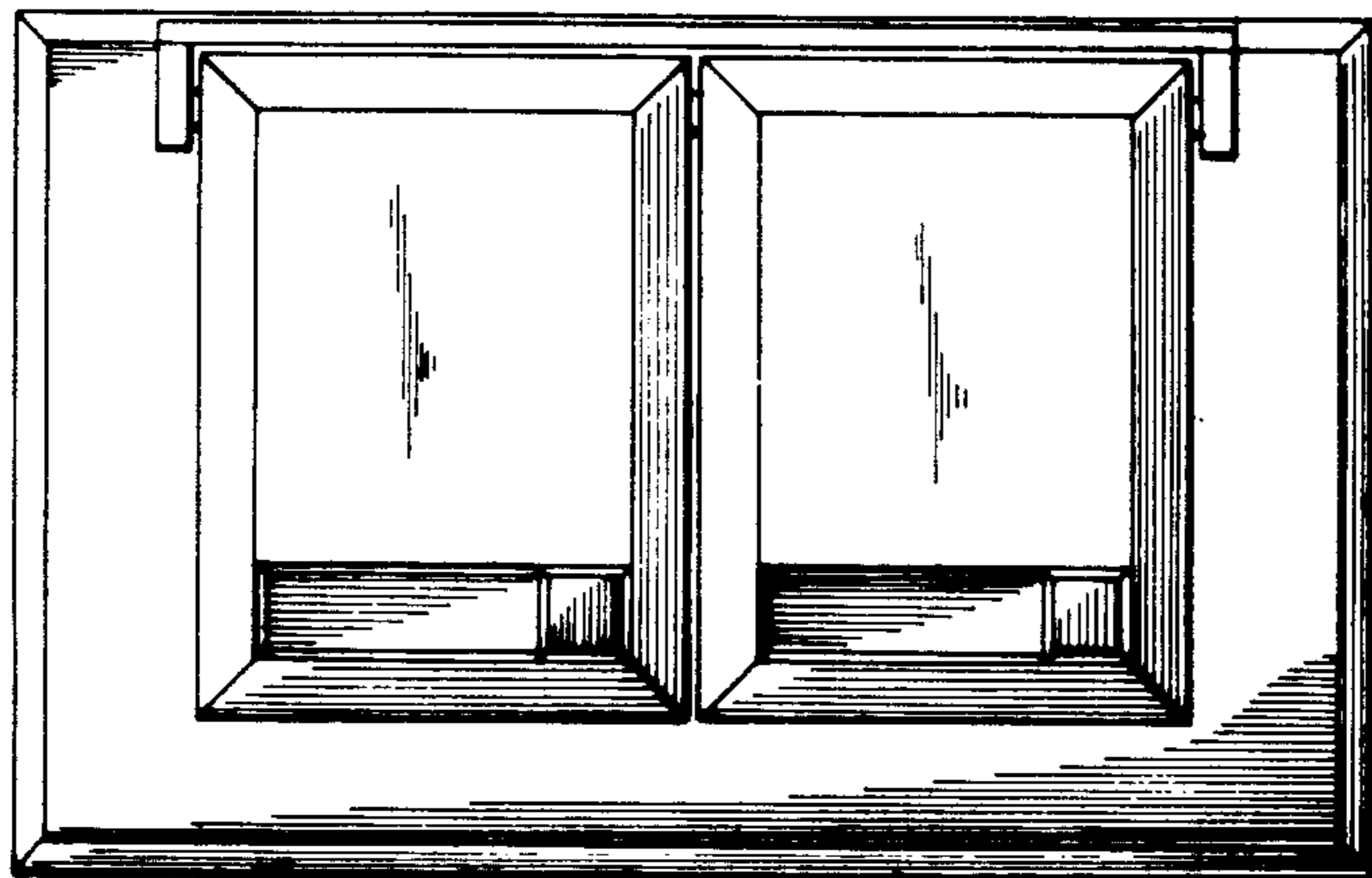


FIG. 9



FIG. 10

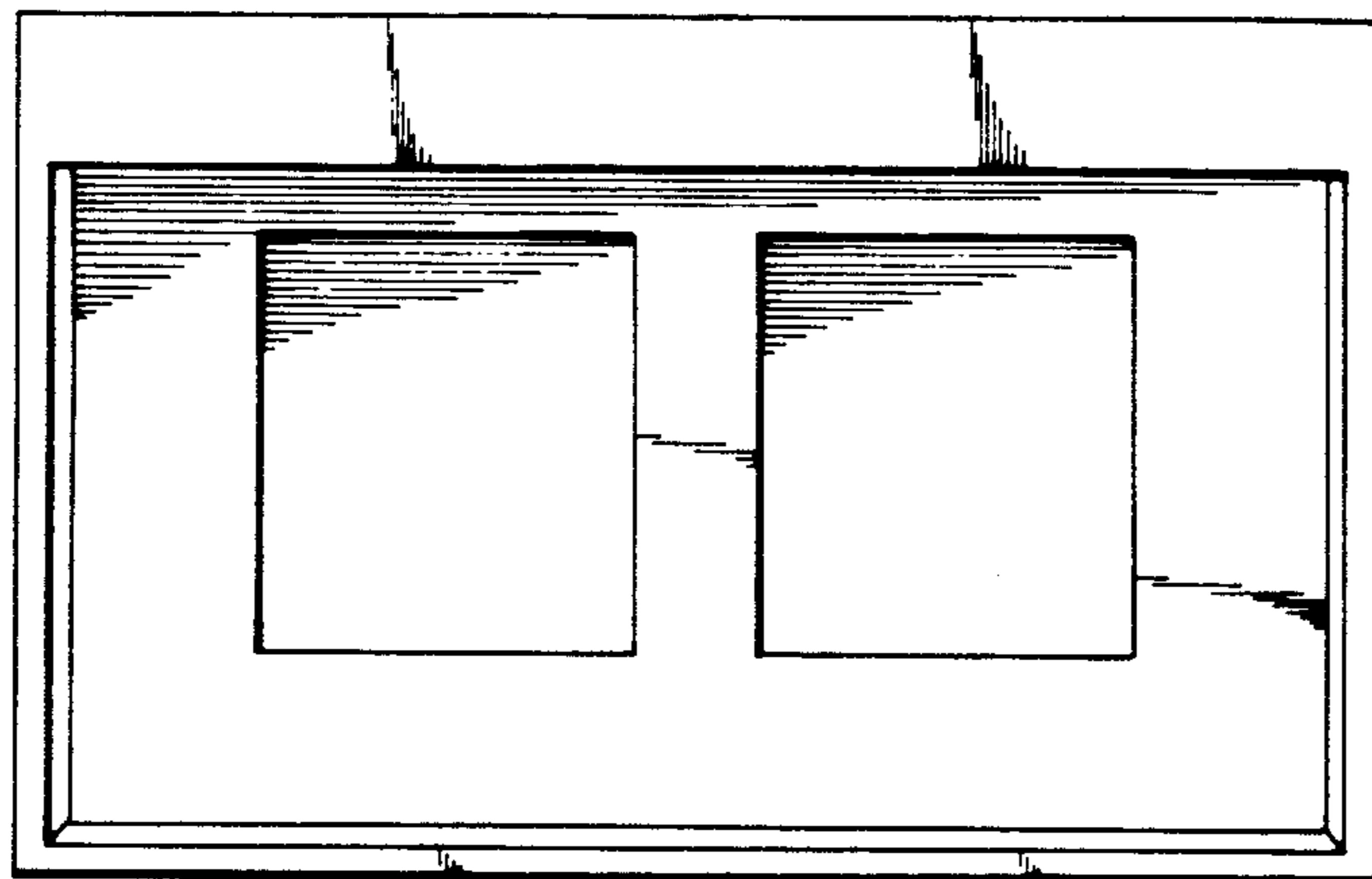


FIG. 11

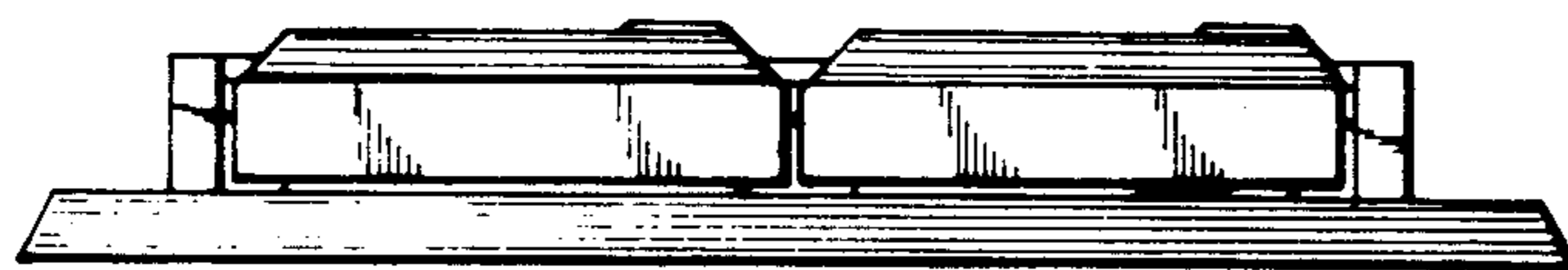


FIG. 12