

[54] DONUT MAKER

[75] Inventor: Lawrence L. Johnson, Wilmette, Ill.

[73] Assignee: Sunbeam Corporation, Chicago, Ill.

[**] Term: 14 Years

[21] Appl. No.: 815,923

[22] Filed: Jul. 15, 1977

[51] Int. Cl. D7-02

[52] U.S. Cl. D7/94; D7/88

[58] Field of Search D7/85, 87, 88, 94, 97

[56] References Cited

U.S. PATENT DOCUMENTS

- D. 96,678 8/1935 Knapp D7/88
- D. 113,733 3/1939 Farber D7/94

- D. 118,841 2/1940 Towne D7/95
- D. 175,547 9/1955 Josephson D7/88
- D. 202,062 8/1965 Yamazaki D7/97
- D. 250,447 12/1978 Levin D7/88

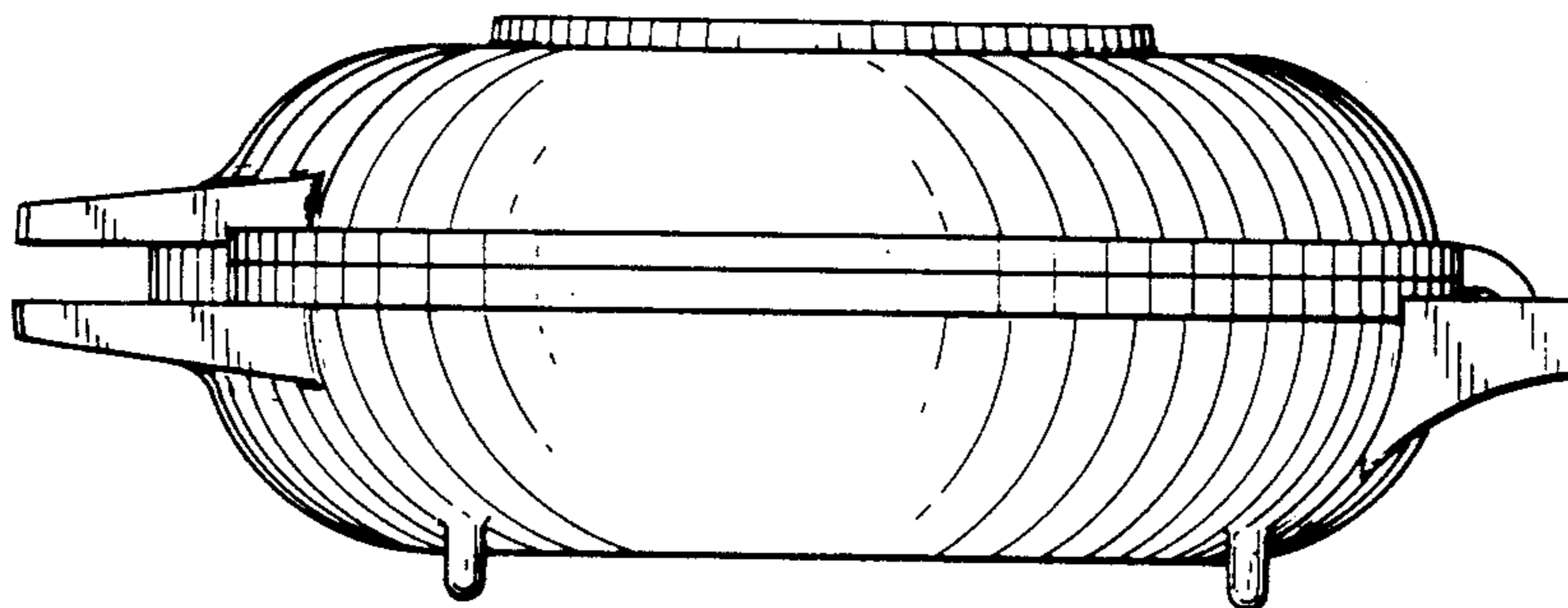
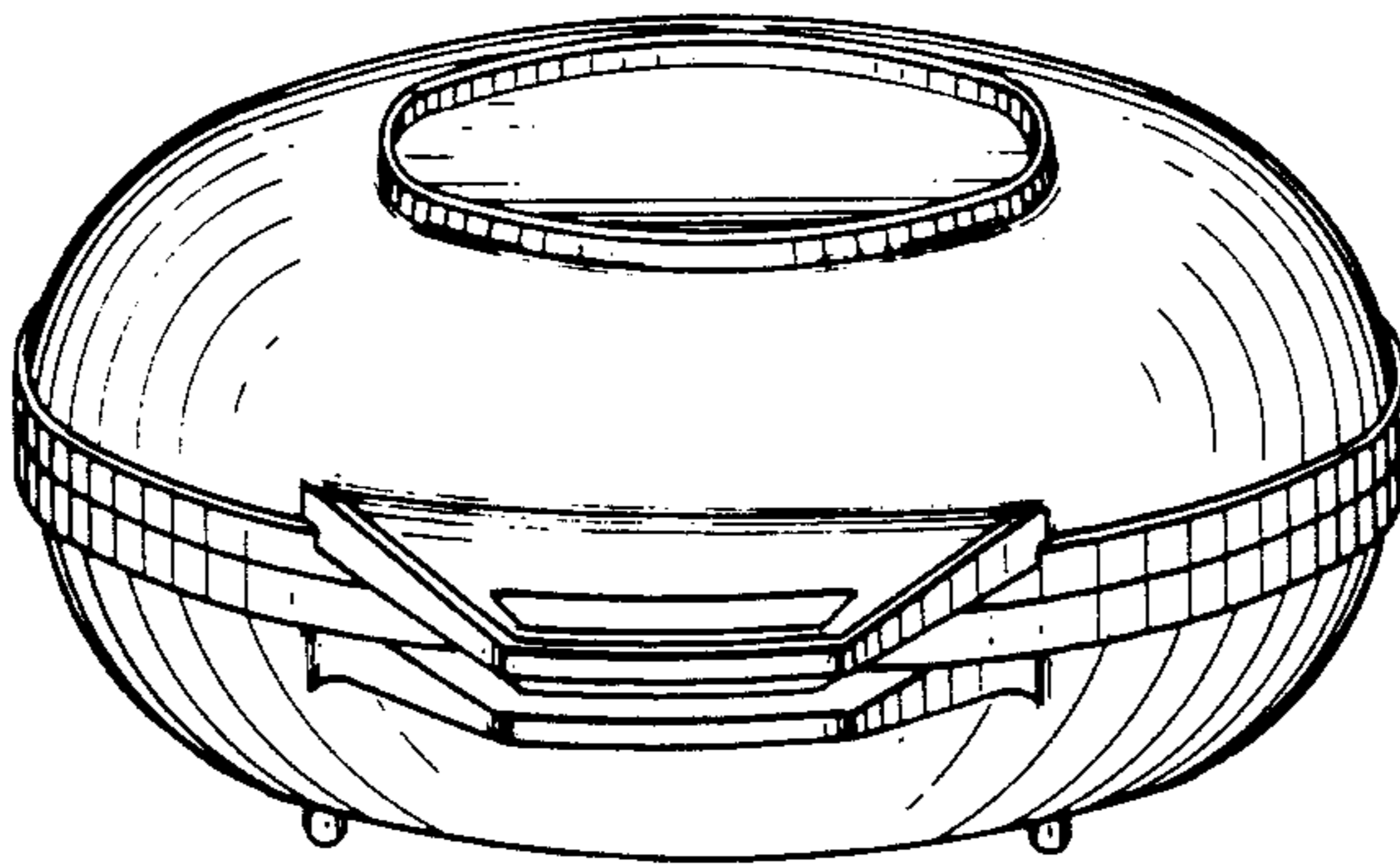
Primary Examiner—Winifred E. Herrmann
Attorney, Agent, or Firm—George R. Clark

[57] CLAIM

The ornamental design for a donut maker, as shown and described.

DESCRIPTION

FIG. 1 is a perspective view of a donut maker embodying my new design;
 FIG. 2 is an enlarged top plan view thereof;
 FIG. 3 is an enlarged side elevational view thereof, the donut maker being substantially symmetrical with respect to the left and right end views thereof; and
 FIG. 4 is an enlarged rear elevational view thereof.



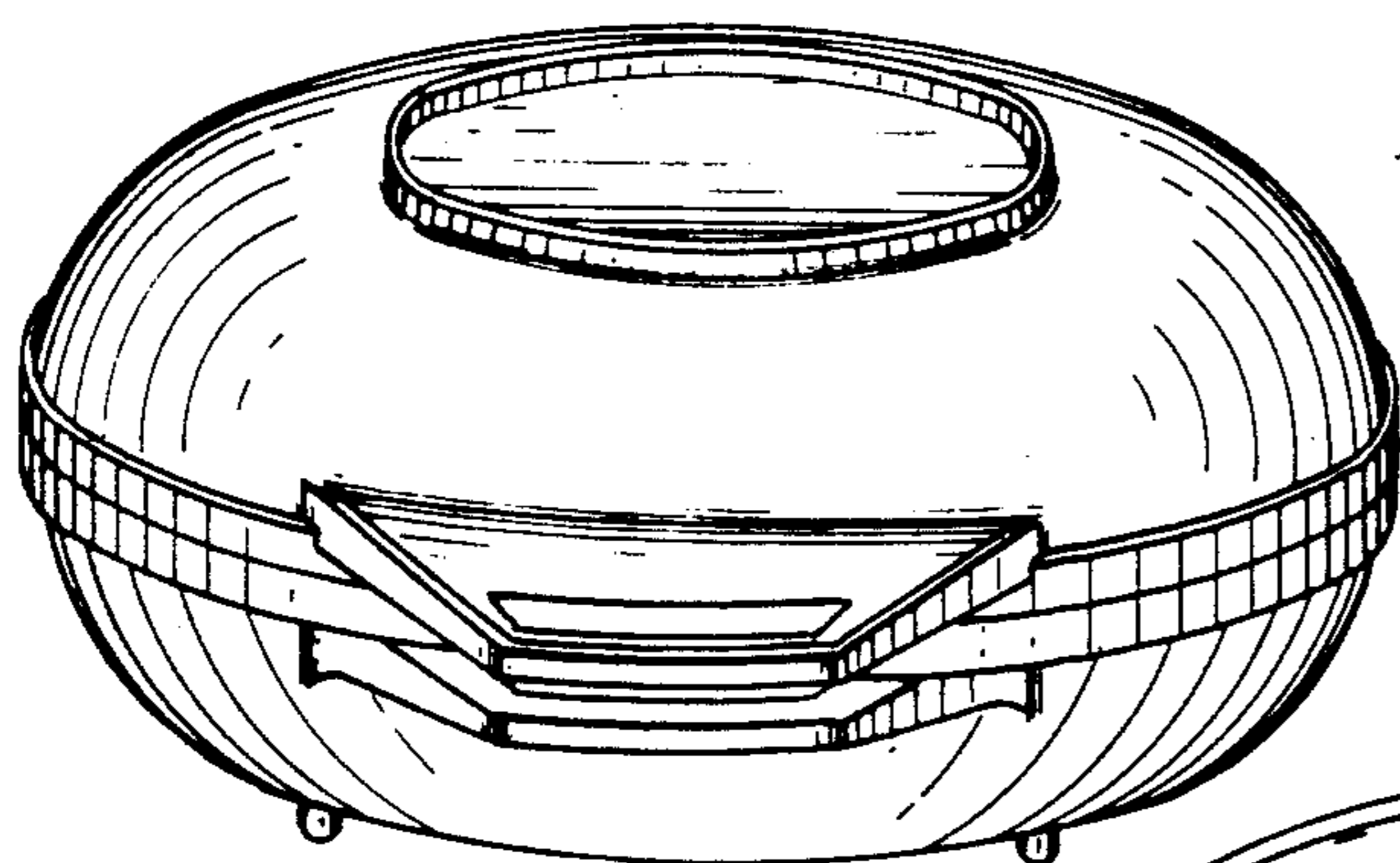


Fig. 1.

Fig. 2.

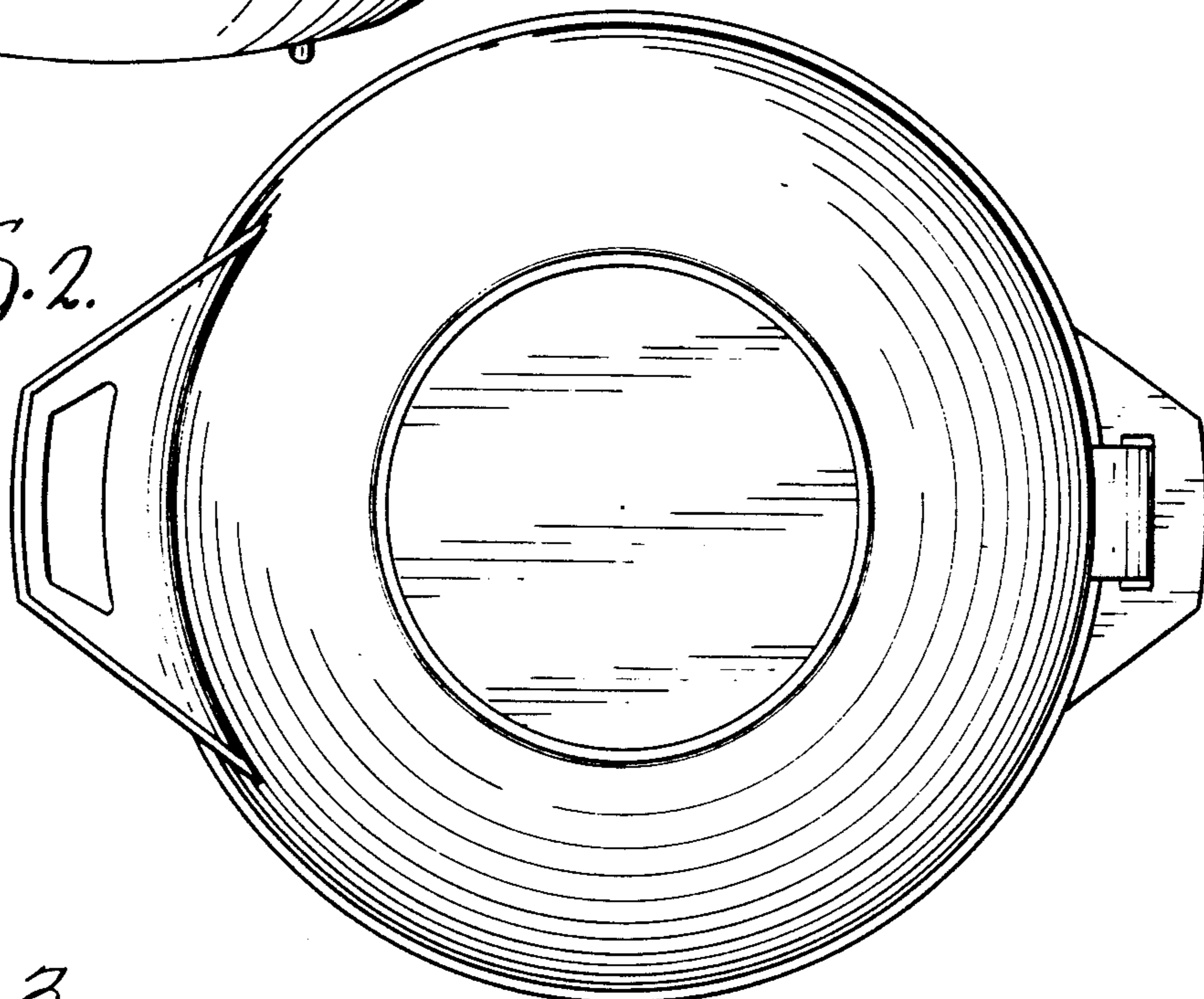


Fig. 3.

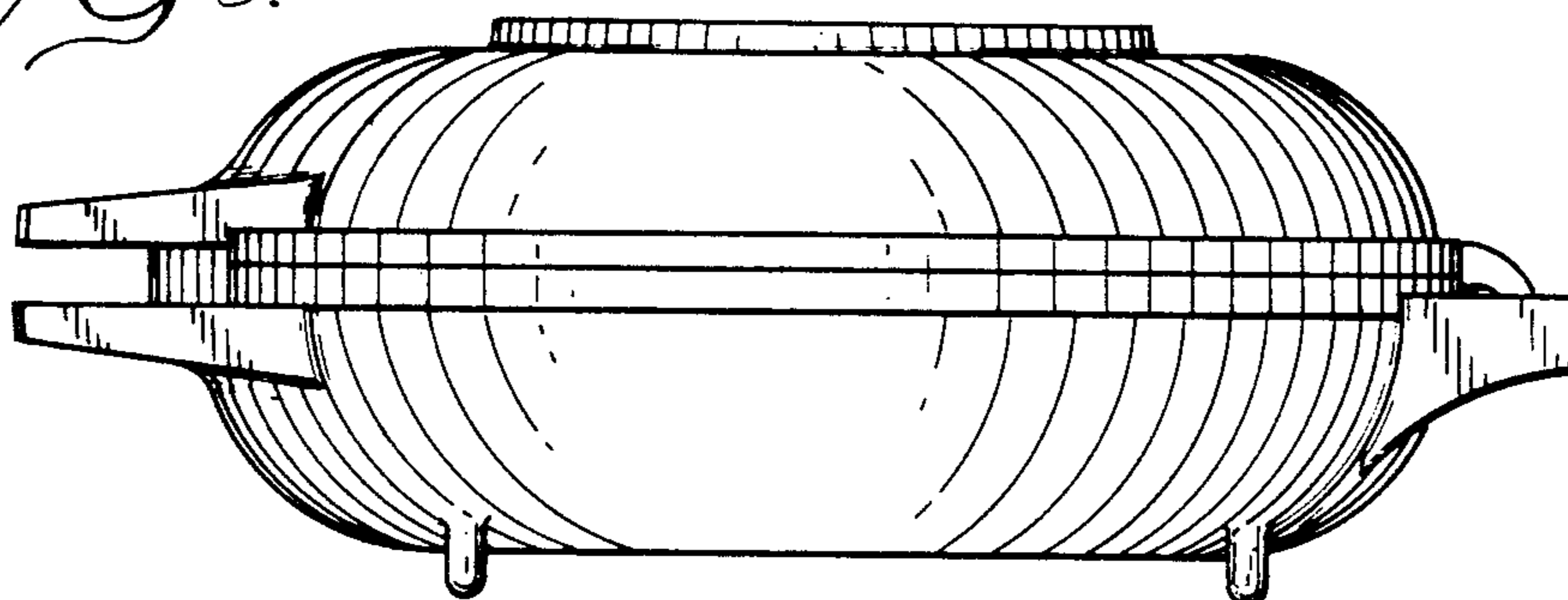


Fig. 4.

