

[54] WAFFLE MACHINE

[76] Inventor: Pete Marsoobian, 14912 Dickens St., Sherman Oaks, Calif. 91403

[\*\*] Term: 14 Years

[21] Appl. No.: 790,231

[22] Filed: Apr. 25, 1977

[51] Int. Cl. .... D7-02

[52] U.S. Cl. .... D7/88

[58] Field of Search ..... D7/87, 88, 89, 85; 99/372, 374, 377, 379; D15/104, 106

[56] References Cited

U.S. PATENT DOCUMENTS

D. 100,195	6/1936	Bellamy	.....	D7/89
D. 134,457	12/1942	Raiser	.....	D7/89
194,894	9/1877	Daly	.....	99/377 X
2,066,507	1/1937	Yost	.....	D7/87 X

FOREIGN PATENT DOCUMENTS

996052	12/1951	France	.....	99/372
996722	12/1951	France	.....	99/377

Primary Examiner—Winifred E. Herrmann  
Attorney, Agent, or Firm—W. Robert Spensley

[57] CLAIM

The ornamental design for a waffle machine, substantially as shown and described.

DESCRIPTION

FIG. 1 is a front elevational view of a waffle machine showing my new design; FIG. 2 is a top plan view thereof; FIG. 3 is a right side elevational view thereof; FIG. 4 is a left side elevational view thereof; FIG. 5 is a back elevational view thereof; FIG. 6 is a bottom plan view thereof; and FIG. 7 is a perspective view thereof showing the top element in the closed position, the handles having been omitted therefrom for convenience of illustration.

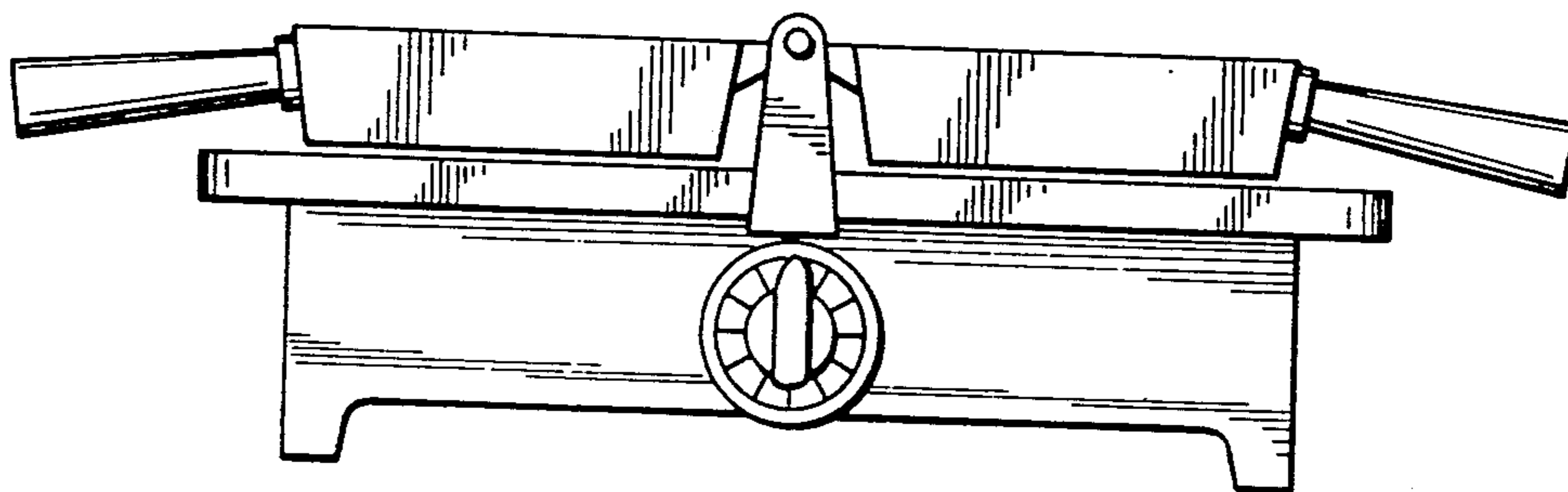


Fig. 1

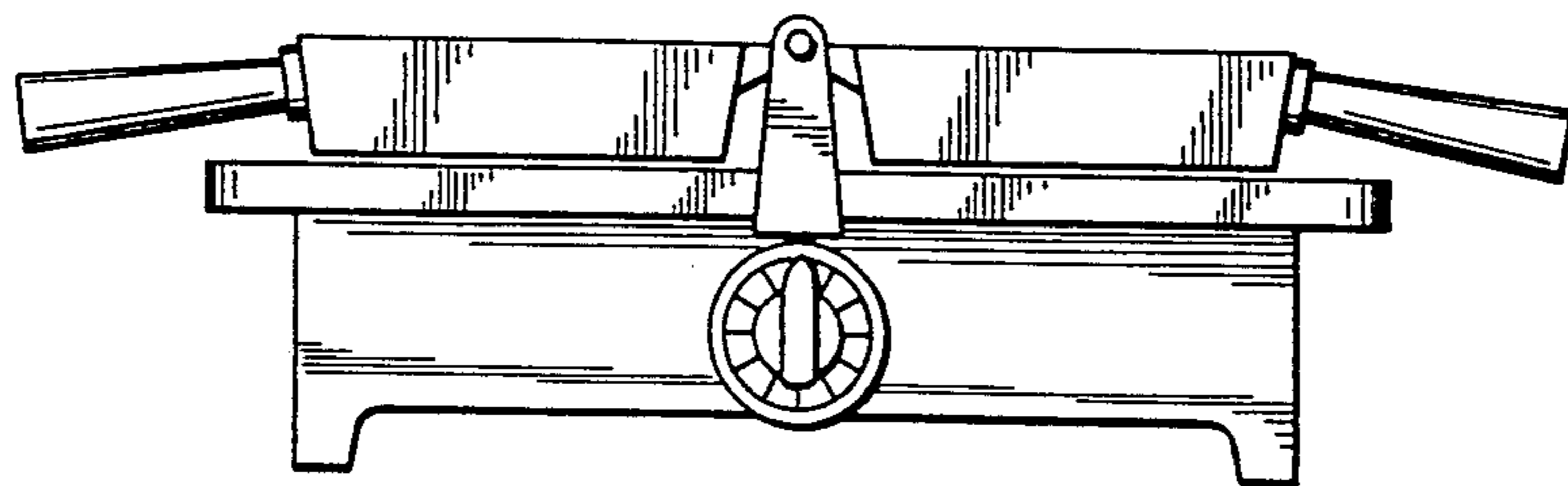


Fig. 2

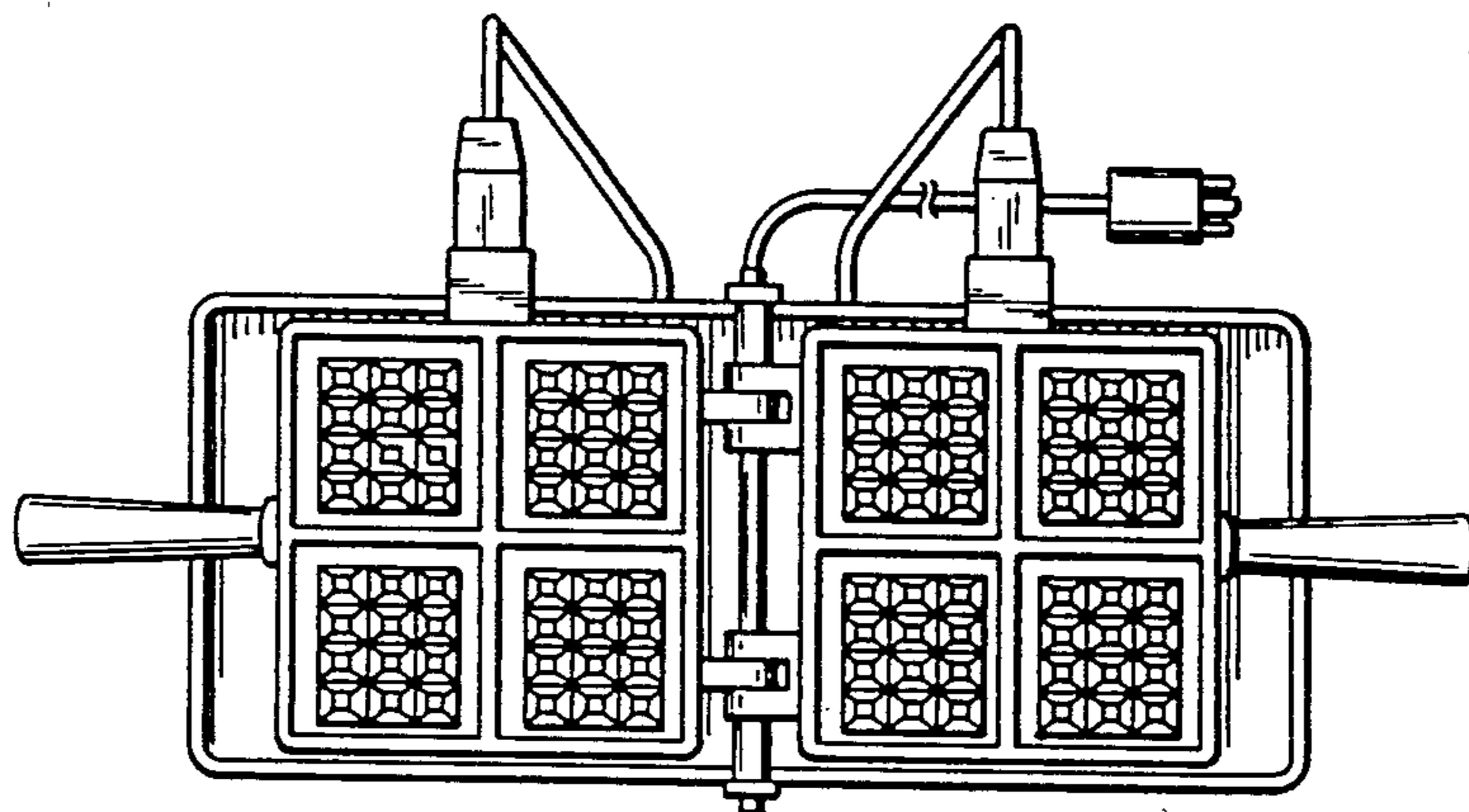


Fig. 3

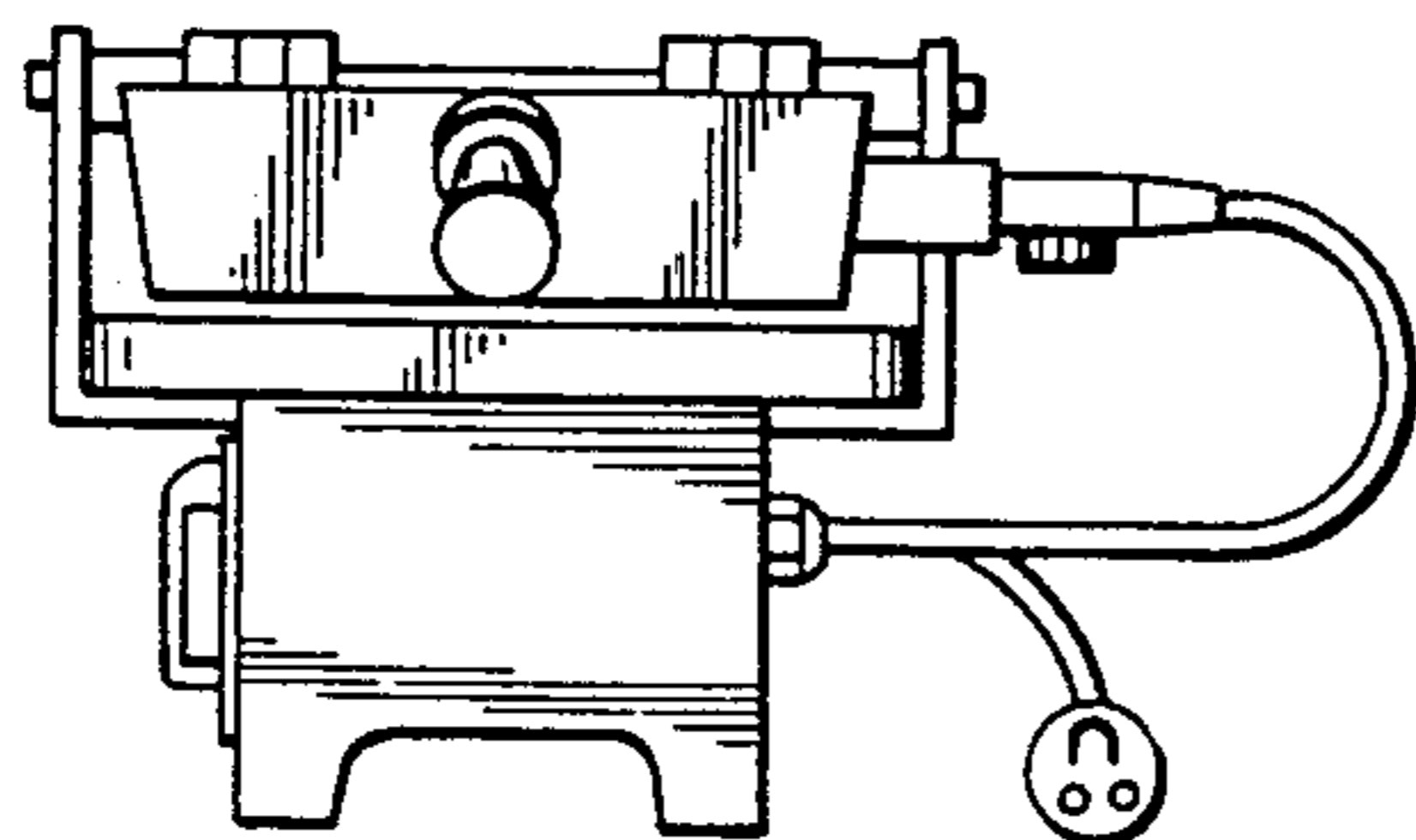


Fig. 4

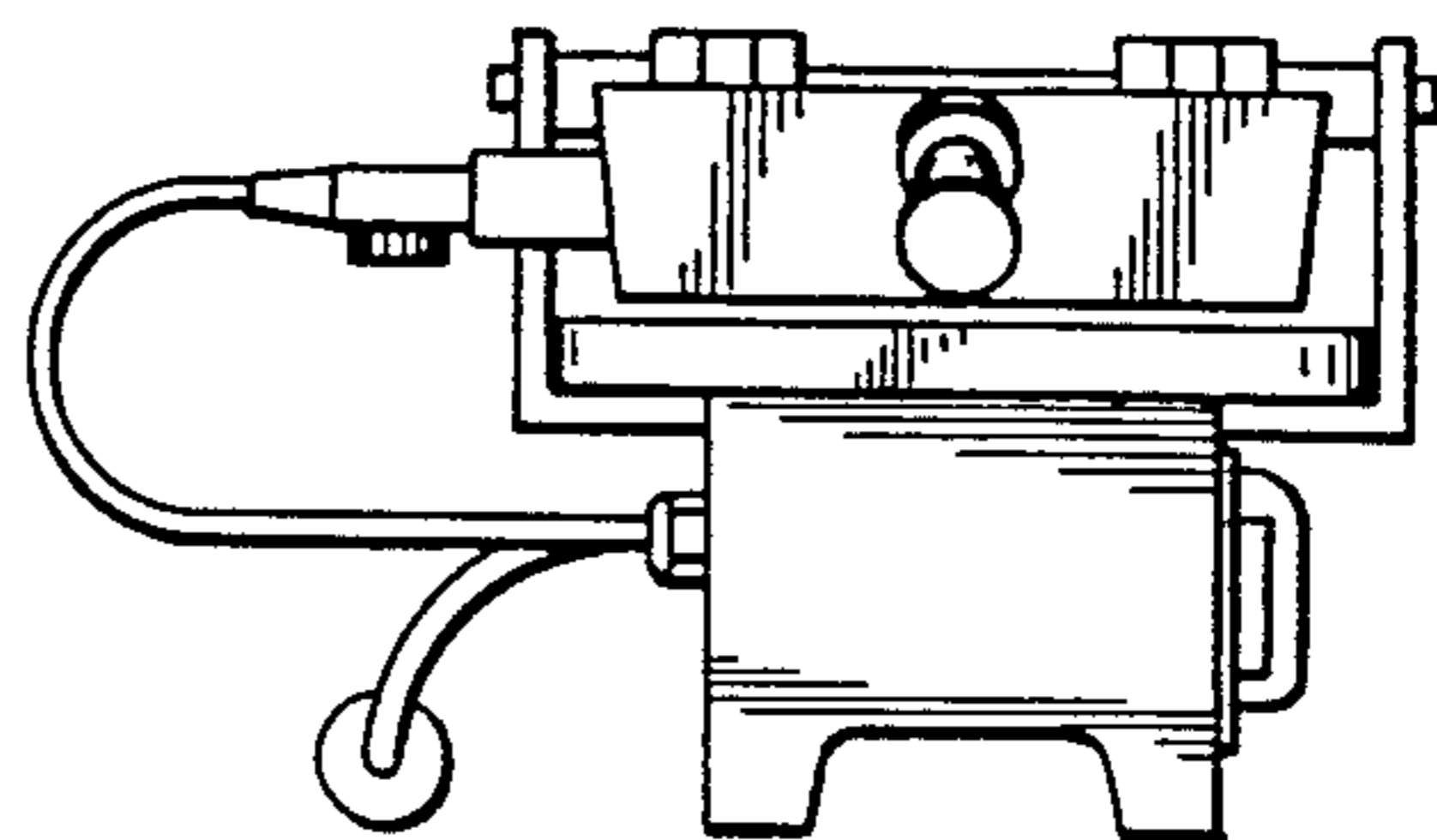


Fig. 5

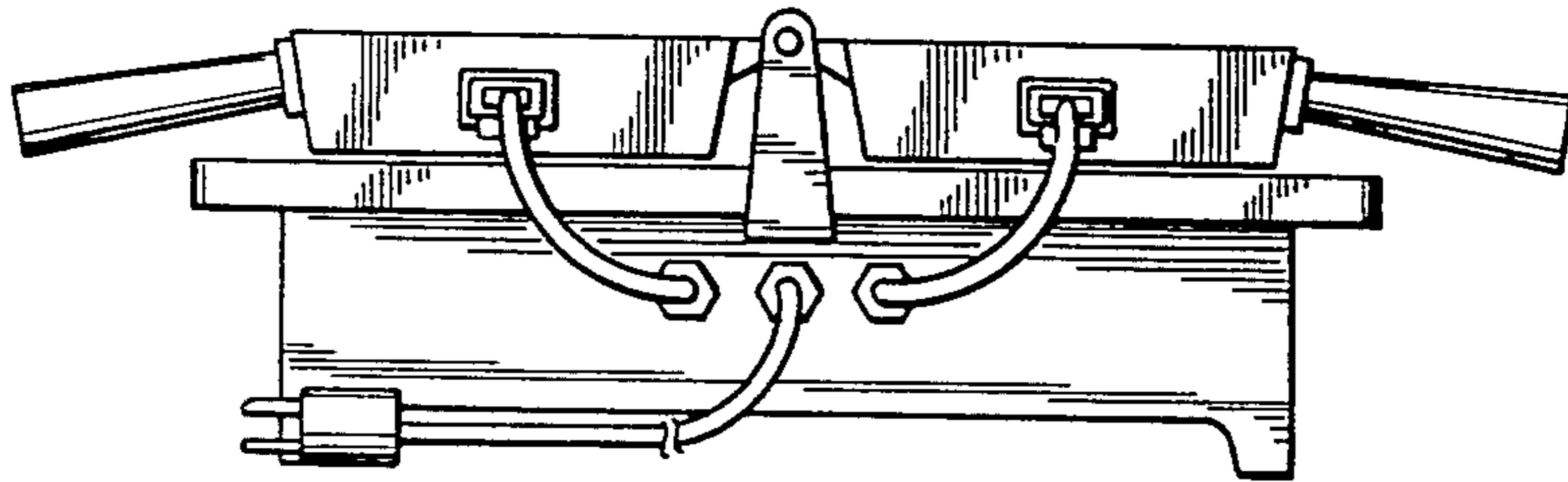


Fig. 6

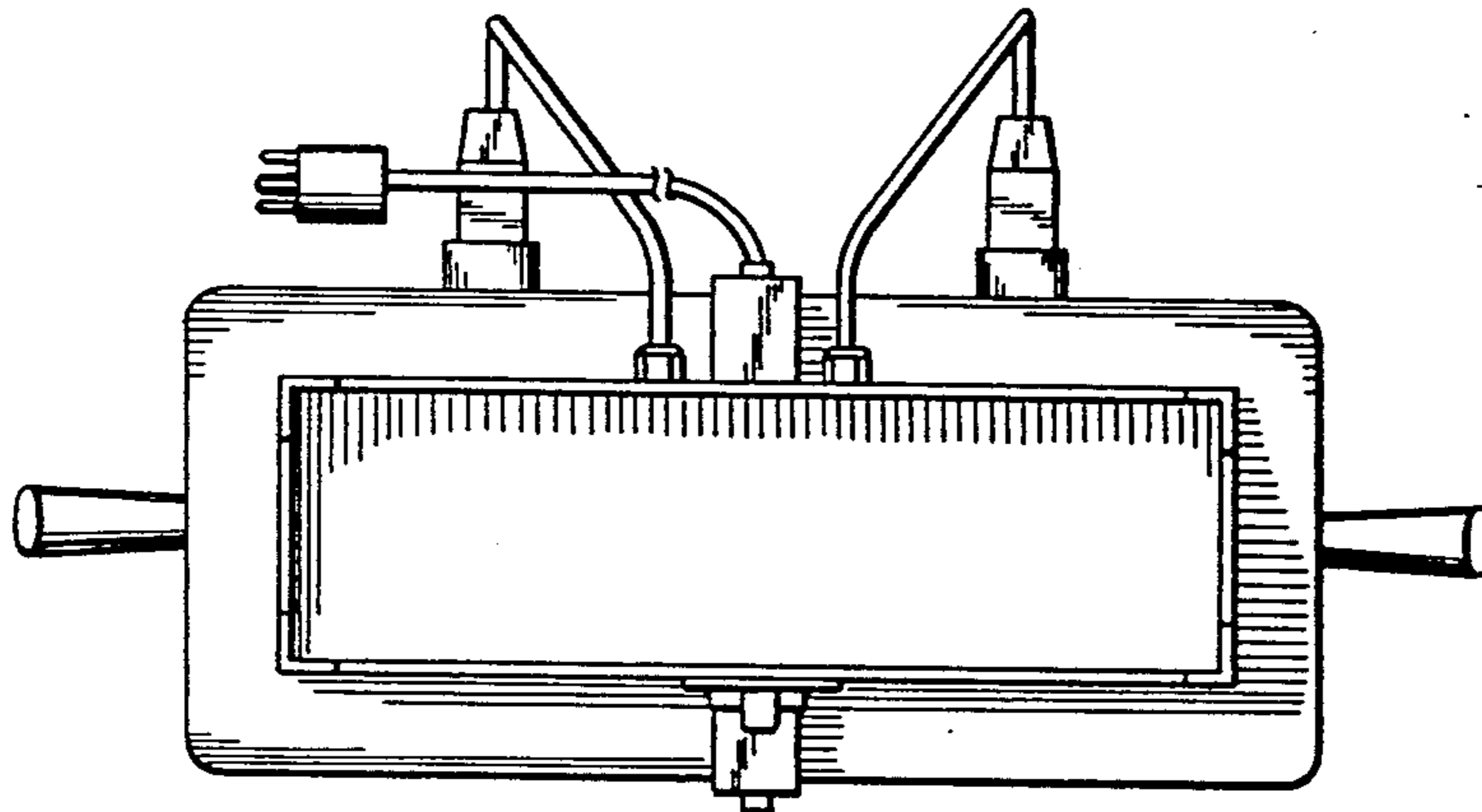


Fig. 7

