

[54] COMBINED CARRIER AND SUPPORT FOR BOTTLED GAS CONTAINERS

[76] Inventor: James L. Grigsby, Sr., P.O. Box 82456, Oklahoma City, Okla. 73108

[**] Term: 14 Years

[21] Appl. No.: 799,461

[22] Filed: May 23, 1977

[51] Int. Cl. D3-99; D6-04; D8-99

[52] U.S. Cl. D3/30; D6/85; D8/373

[58] Field of Search D6/85, 114, 125; D7/52, D7/55, 153; D87/1 R; D8/373; D9/176; 224/45 A, 45 AA, 48 A; 248/300, 301, 309 R, 310, 311.1, 311.1 A, 312, 174, 175; 211/13, 74, 75, 181, 182, 88

[56]

References Cited

U.S. PATENT DOCUMENTS

D. 189,506	12/1960	Pooch	D87/1 R
1,274,631	8/1918	Tillmann	224/45 A
1,353,282	9/1920	Shrauger	224/48 A
2,615,238	10/1952	Highwood	248/311.1

Primary Examiner—Wallace R. Burke

Assistant Examiner—B. J. Bullock

Attorney, Agent, or Firm—Robert K. Rhea

[57]

CLAIM

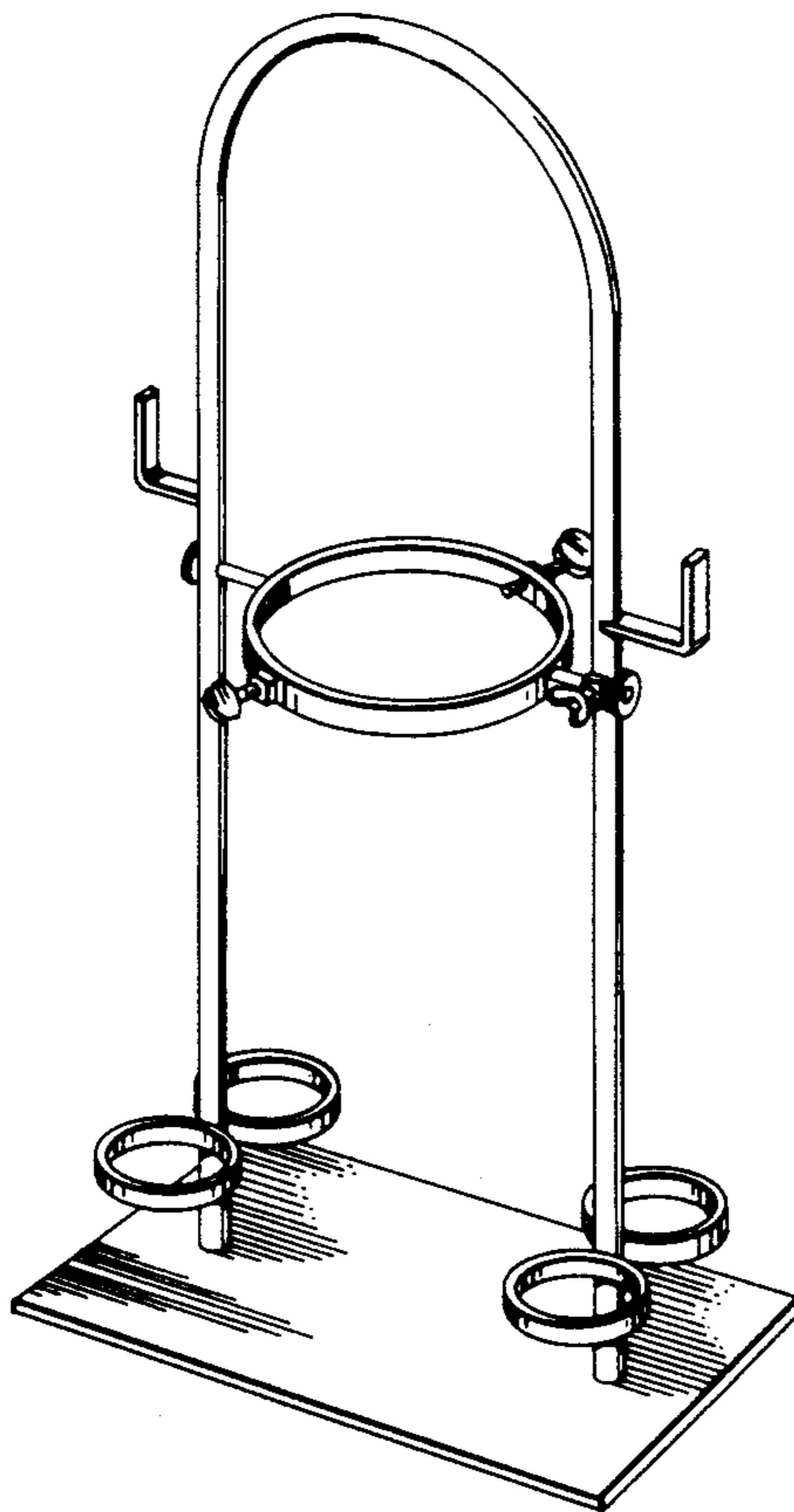
The ornamental design for a combined carrier and support for bottled gas containers, as shown and described.

DESCRIPTION

FIG. 1 is a perspective view of a combined carrier and support for bottled gas container embodying my new design; and,

FIG. 2 is a perspective view of the opposite side of FIG. 1.

The bottom is flat and unornamented.



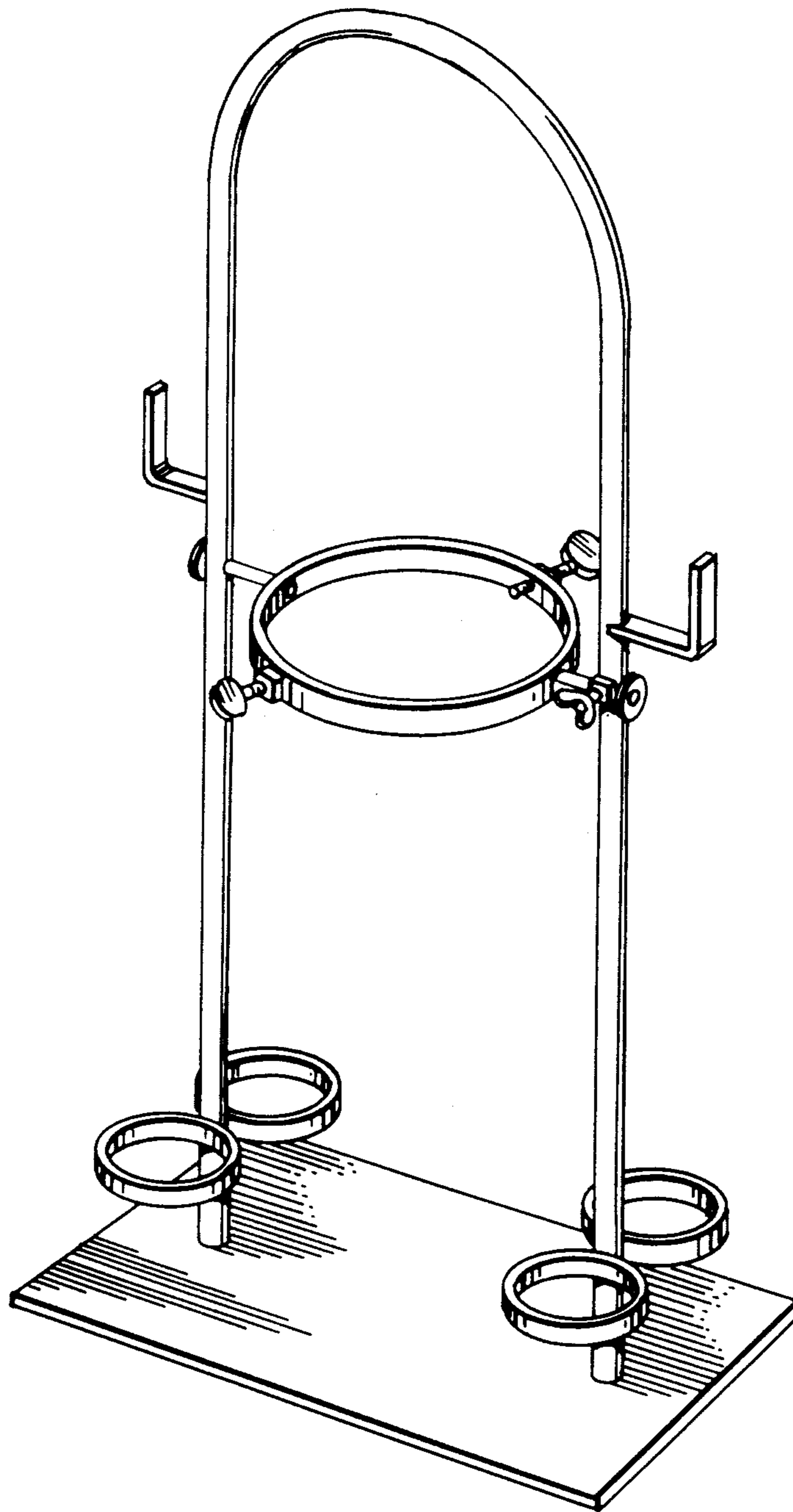


FIG. 1

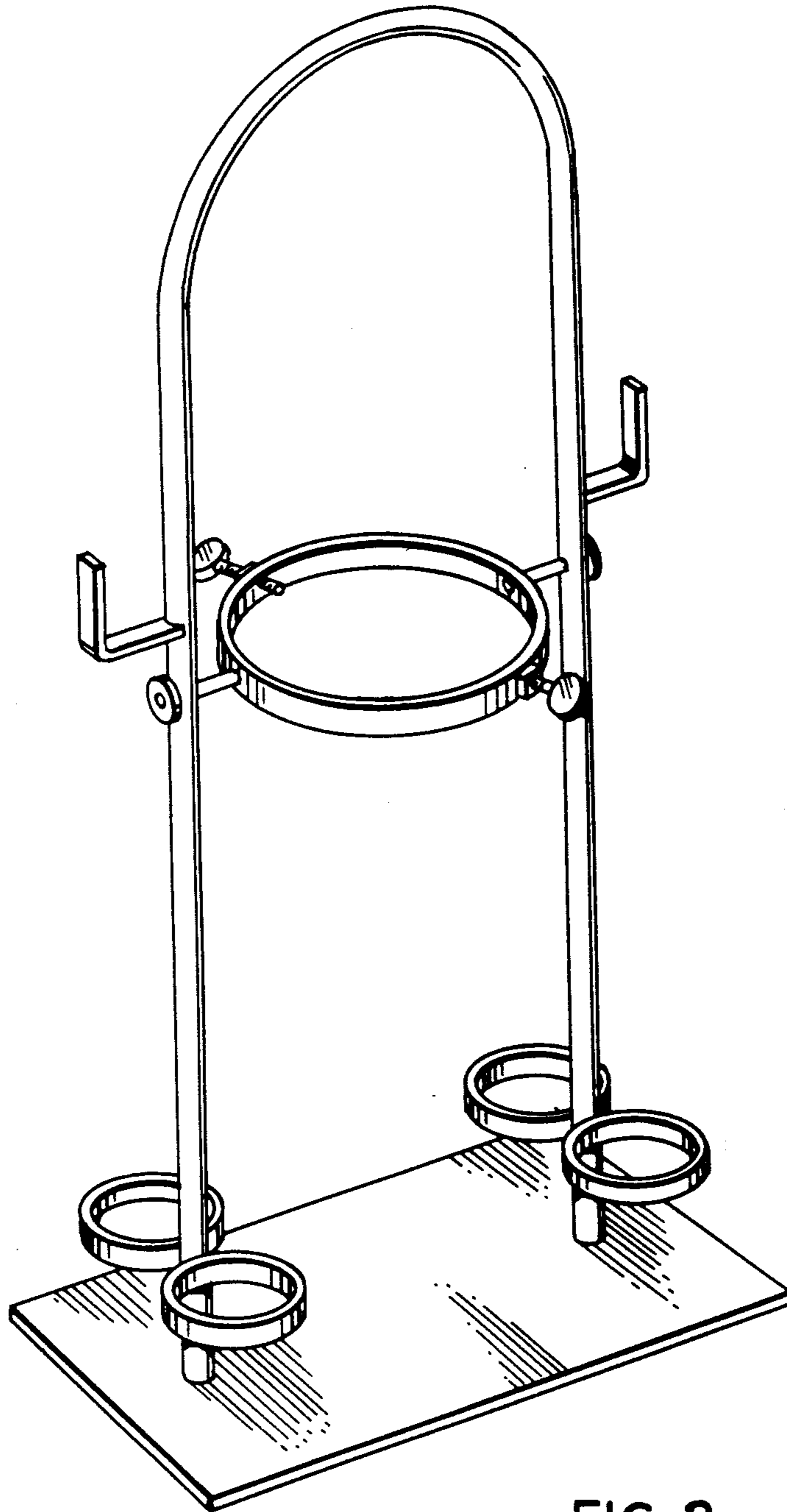


FIG. 2