

[54] PORTABLE SPOT LIGHT

[76] Inventor: Jerry O. Watley, 504 W. 13th St.,
Cassville, Mo. 65625

[**] Term: 14 Years

[21] Appl. No.: 723,672

[22] Filed: Sep. 16, 1976

[51] Int. Cl. D26-02

[52] U.S. Cl. D48/20 K; D48/24 R

[58] Field of Search D48/24 R, 24 A, 20 K;
240/8.18, 10.5, 10.6 R, 10.61, 10.63, 10.65,
10.67, 10.68

[56] References Cited

U.S. PATENT DOCUMENTS

3,439,159 4/1969 McRoskey et al. 240/8.18
3,539,797 11/1970 Brindley et al. 240/10.6 R

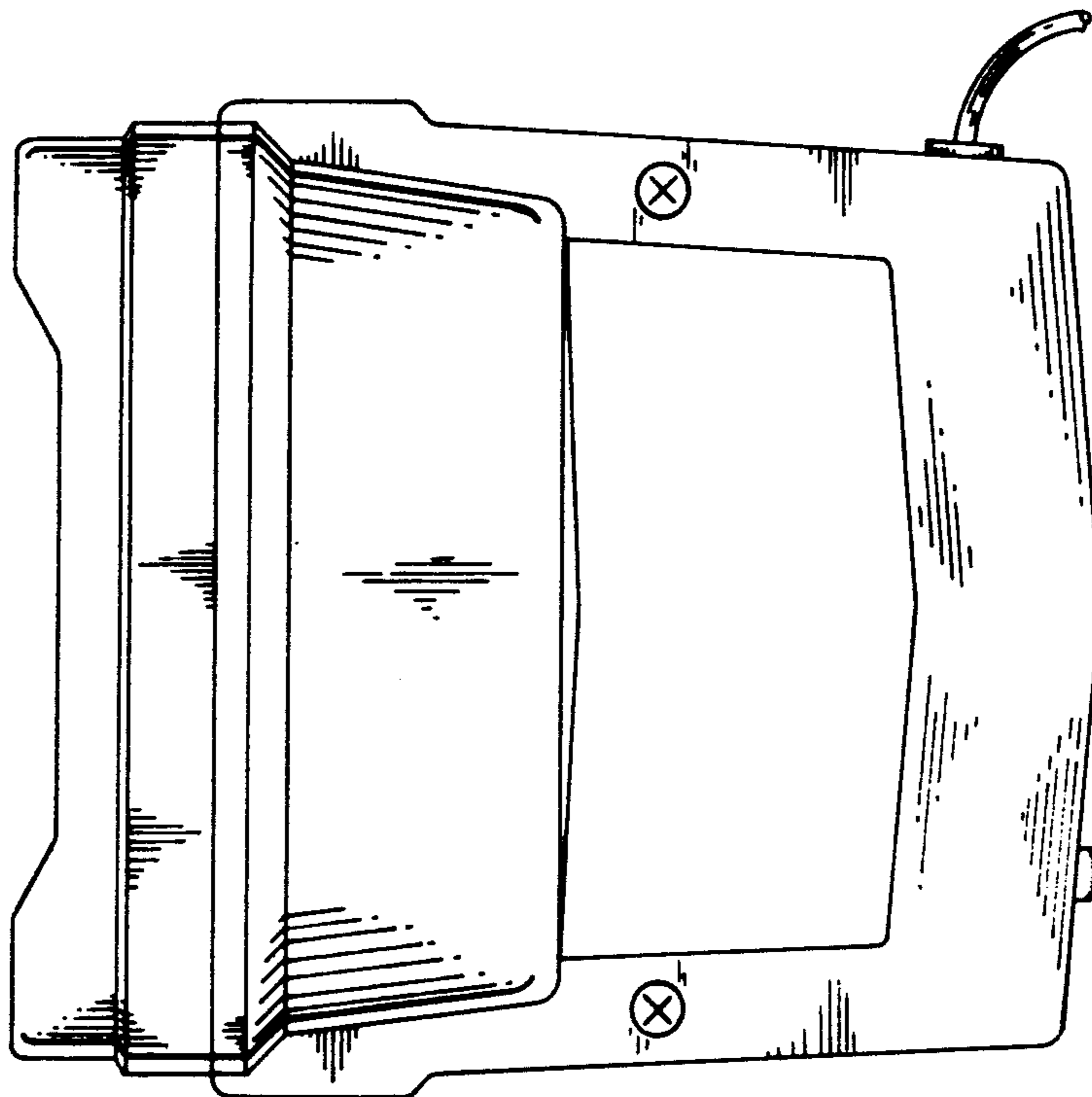
Primary Examiner—Susan J. Lucas
Attorney, Agent, or Firm—Louis J. Strom

[57] CLAIM

The ornamental design for a portable spot light, sub-
stantially as shown and described.

DESCRIPTION

FIG. 1 is a top plan view of a portable spot light show-
ing my new design;
FIG. 2 is a side elevational view thereof, the opposite
side being a mirror image thereof;
FIG. 3 is a front elevational view thereof; and
FIG. 4 is a rear elevational view thereof.



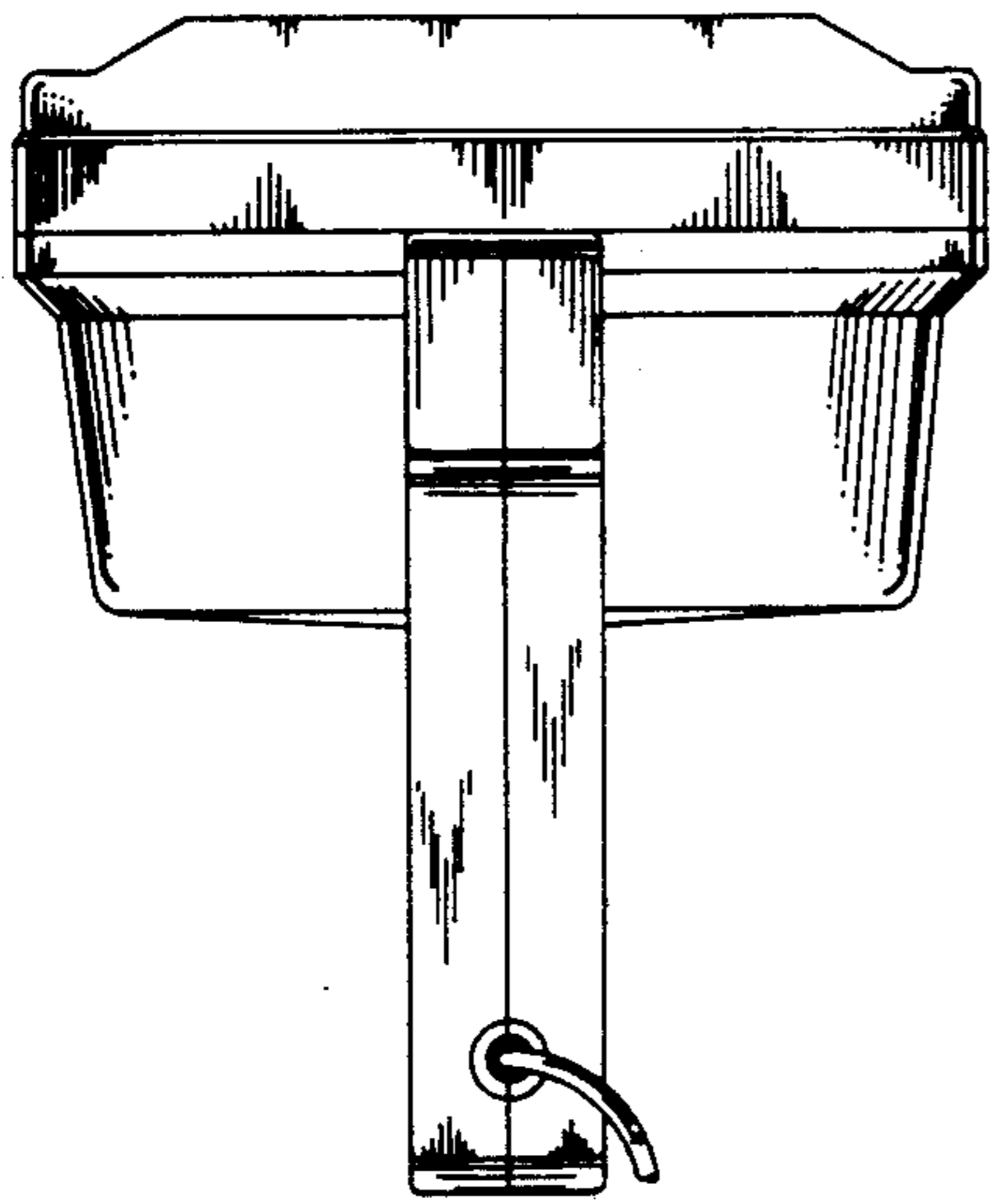


FIG. 1

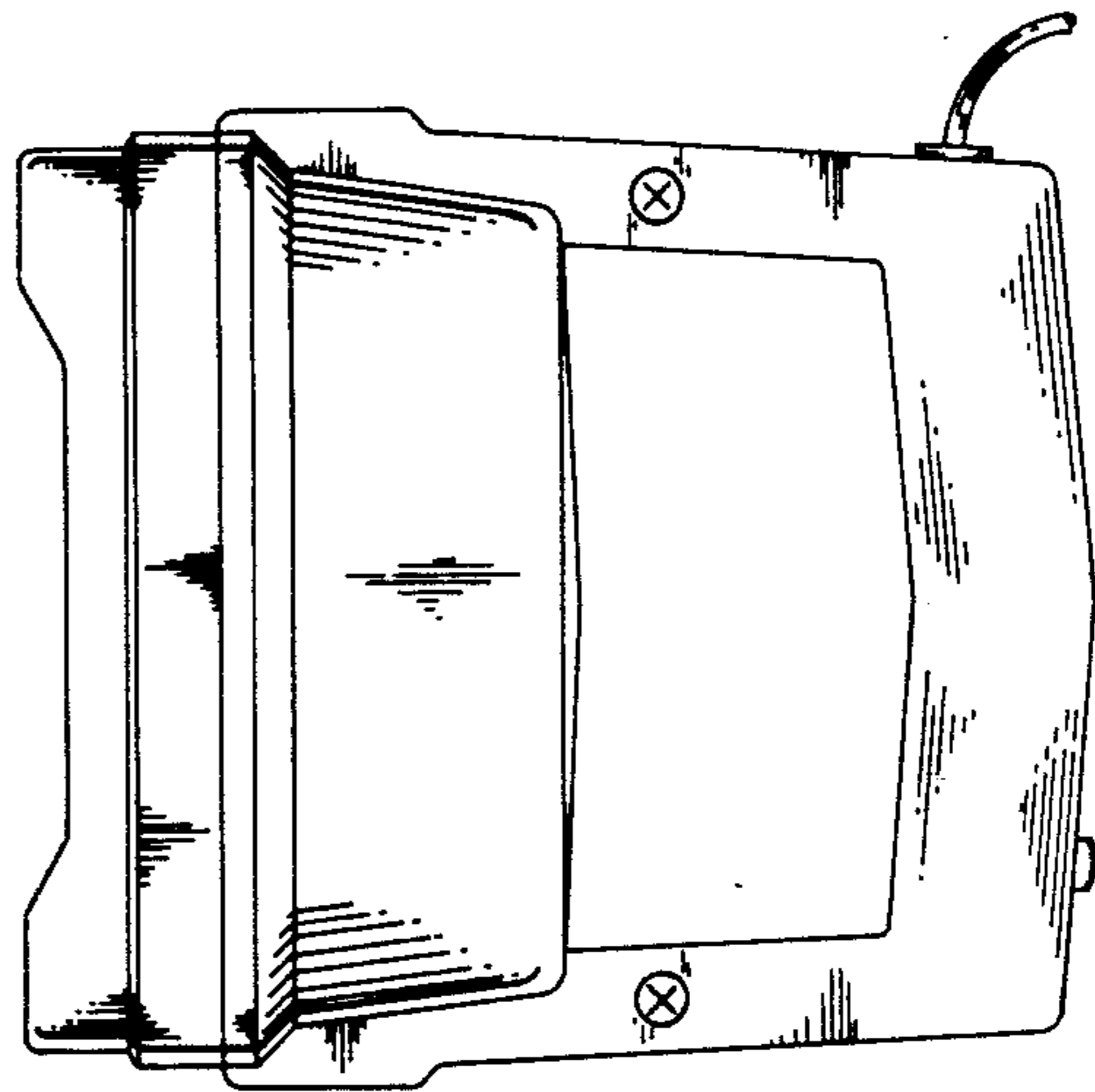


FIG. 2

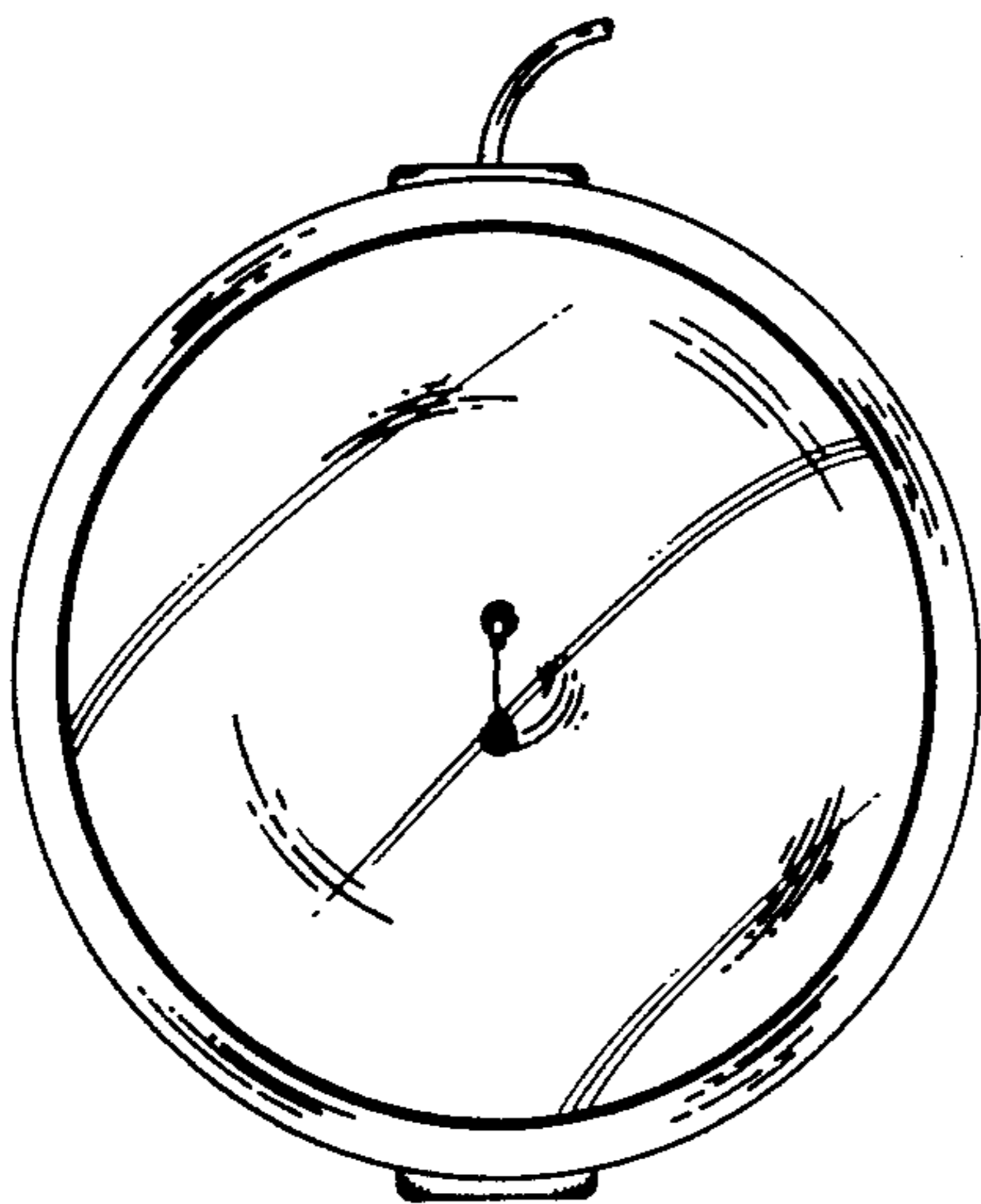


FIG. 3

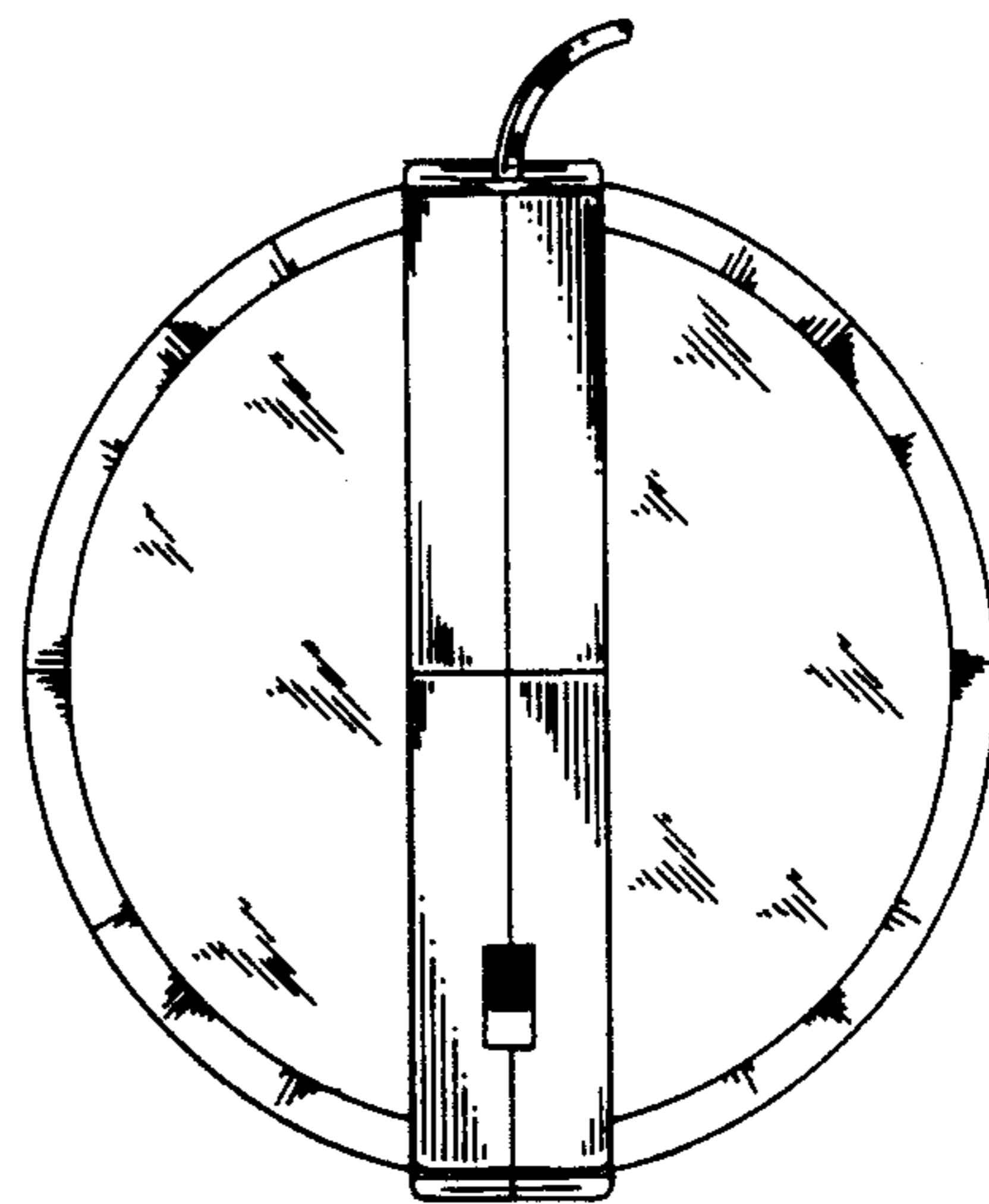


FIG. 4