

[54] **TOY TRUCK CAB**

[75] **Inventor:** Royce D. Rumsey, Hopkins, Minn.

[73] **Assignee:** Tonka Corporation, Spring Park, Minn.

[**] **Term:** 14 Years

[21] **Appl. No.:** 878,038

[22] **Filed:** Feb. 15, 1978

Related U.S. Application Data

[63] Continuation of Ser. No. 650,518, Jan. 19, 1976, abandoned.

[51] **Int. Cl.** D21-01

[52] **U.S. Cl.** D21/134; D21/128

[58] **Field of Search** D12/96, 97; D34/15 AJ, D34/15 AN

[56] **References Cited**

U.S. PATENT DOCUMENTS

D. 217,825	6/1970	Peterson	D34/15 AJ
D. 220,507	4/1971	Peterson	D34/15 AJ
D. 222,868	1/1972	Gilford et al.	D34/15 AJ

OTHER PUBLICATIONS

Commercial Car Journal, 9-1960, p. 154, Truck Cab.

Primary Examiner—Joel Stearman

Assistant Examiner—Charles A. Rademaker

Attorney, Agent, or Firm—Robert G. McMorrow

[57] **CLAIM**

The ornamental design for a toy truck cab, as shown.

DESCRIPTION

FIG. 1 is a front right side perspective view of a toy truck cab showing my new design.

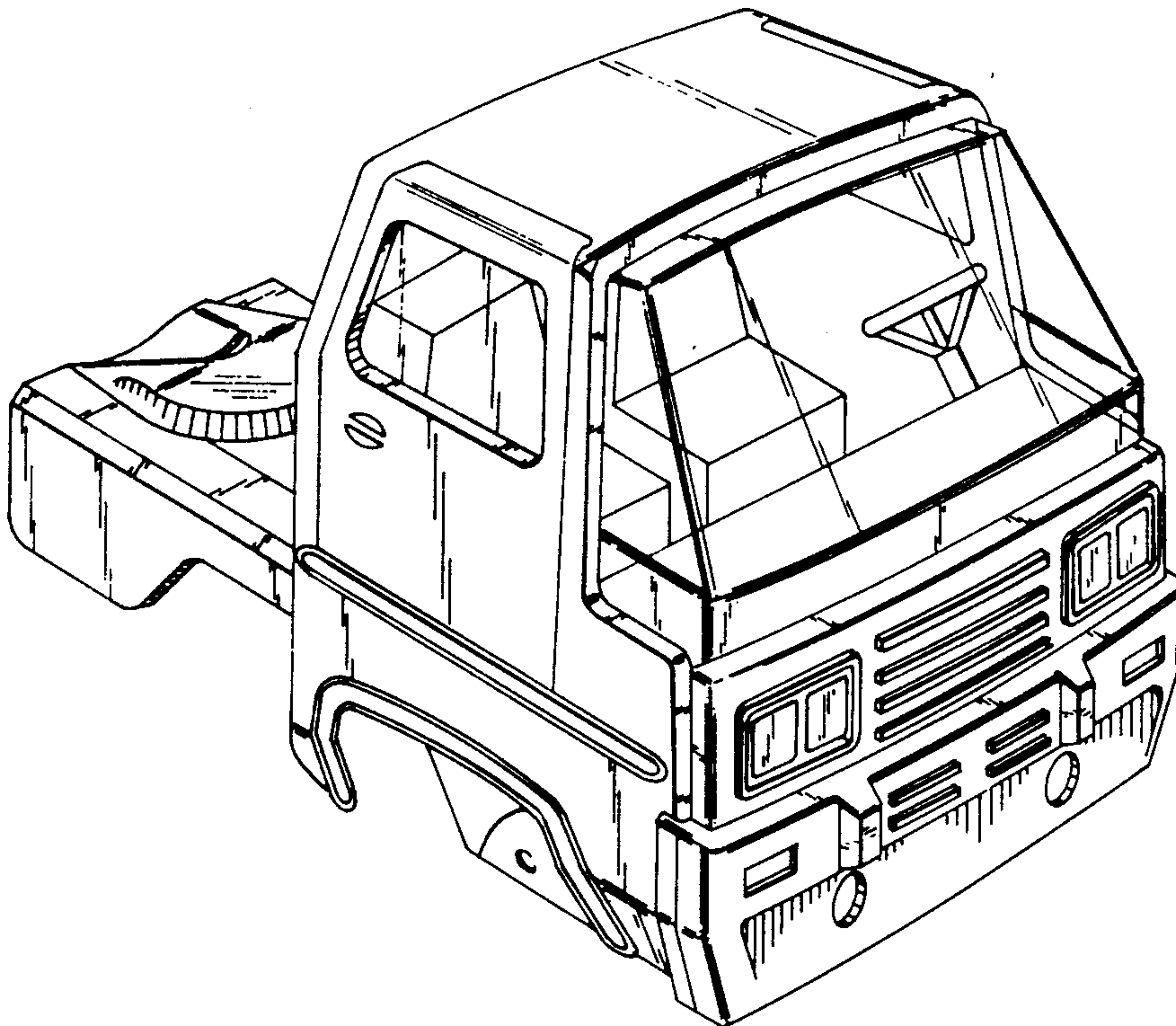
FIG. 2 is a top plan view thereof.

FIG. 3 is a front elevational view thereof.

FIG. 4 is a right side elevational view, the left side being a mirror image thereof.

FIG. 5 is a rear elevational view thereof.

FIG. 6 is a bottom plan view thereof.



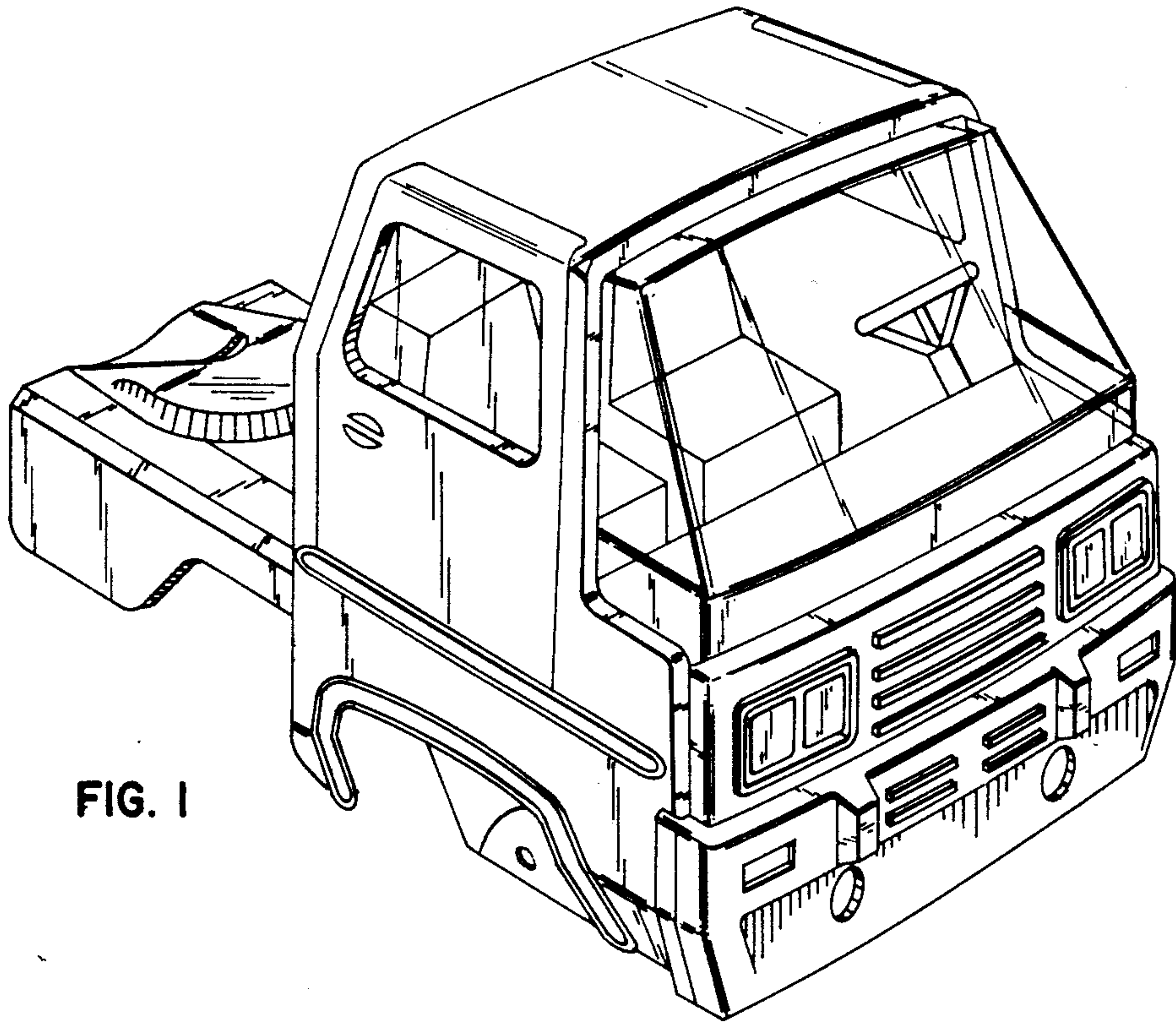


FIG. 1

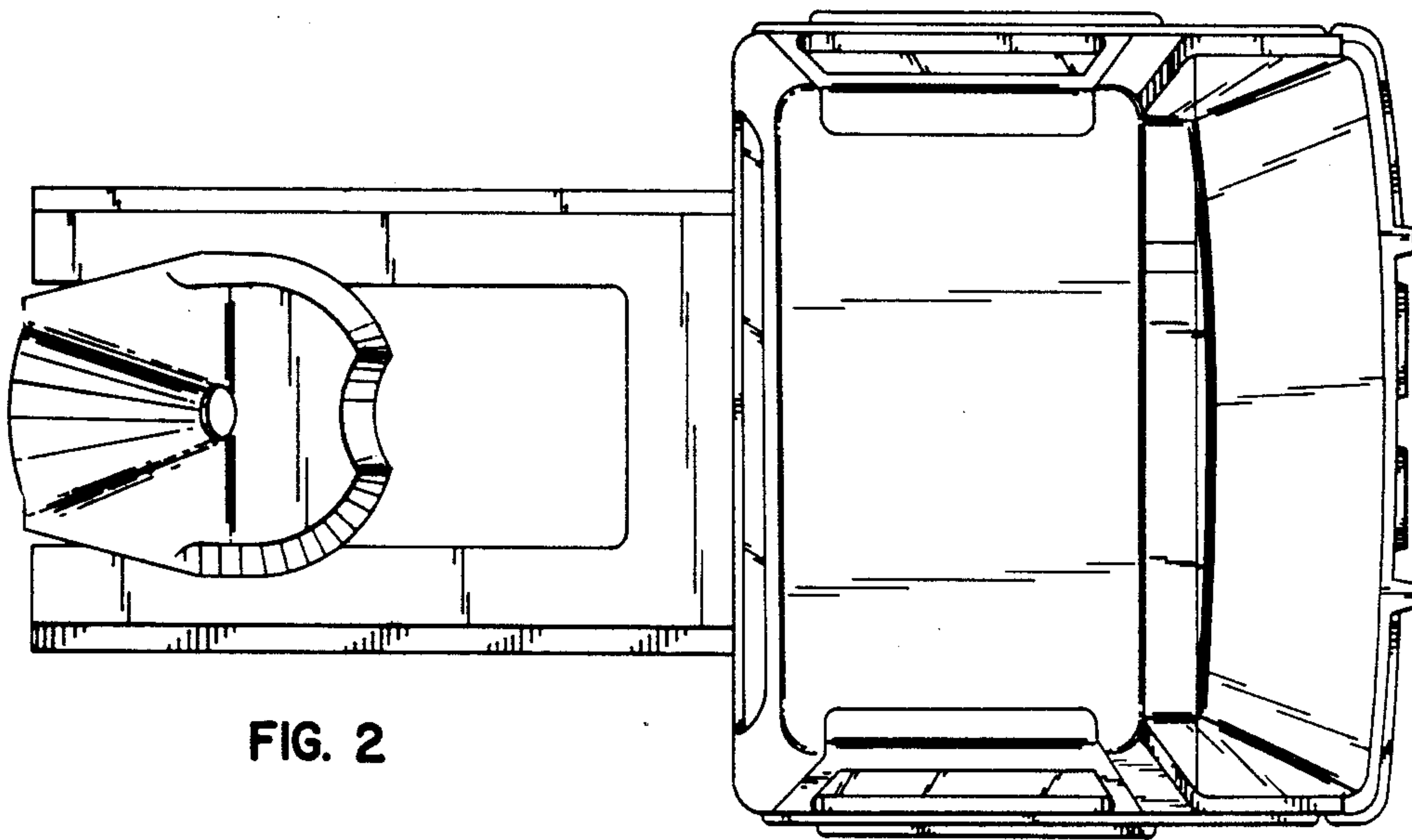
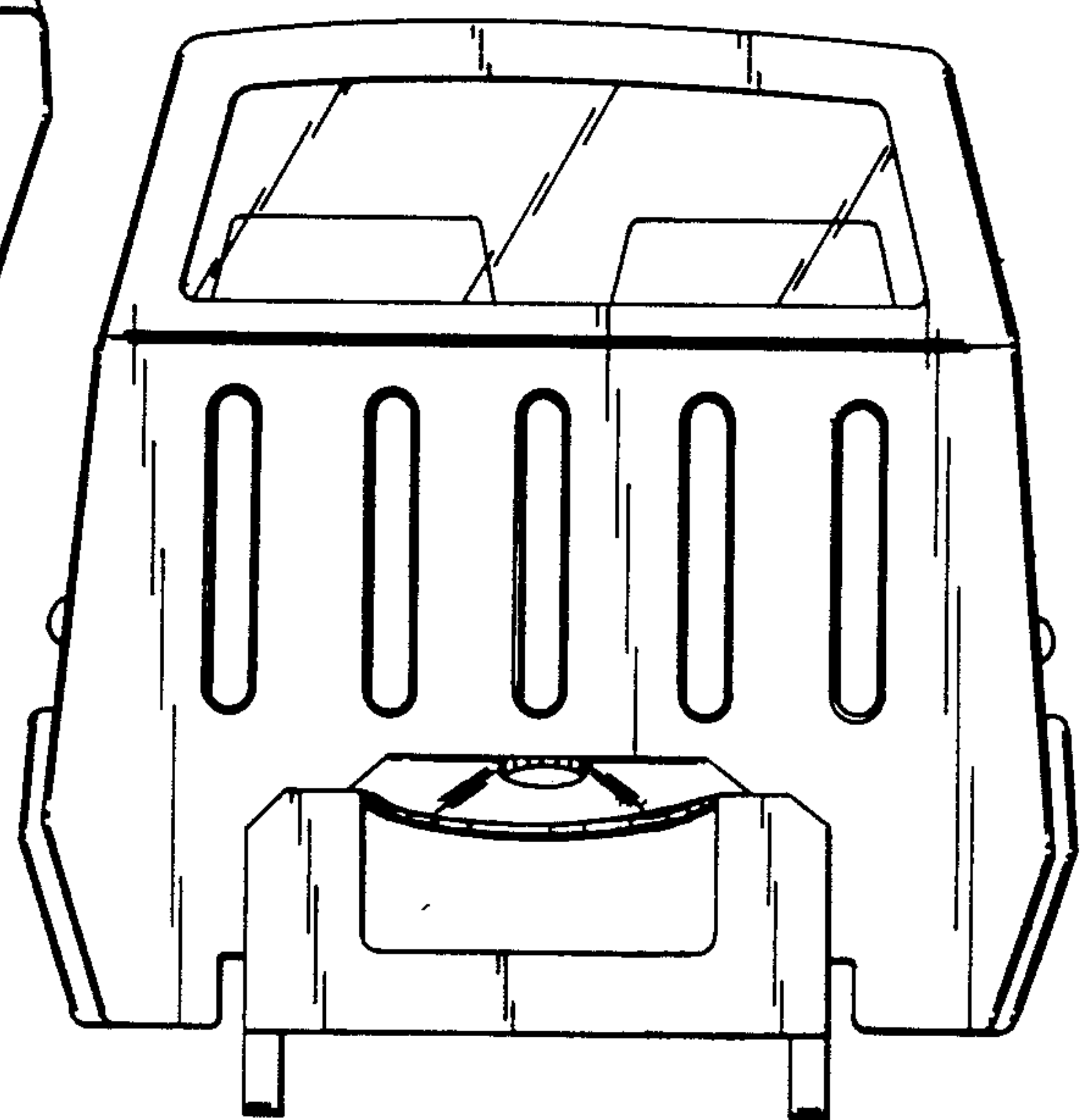
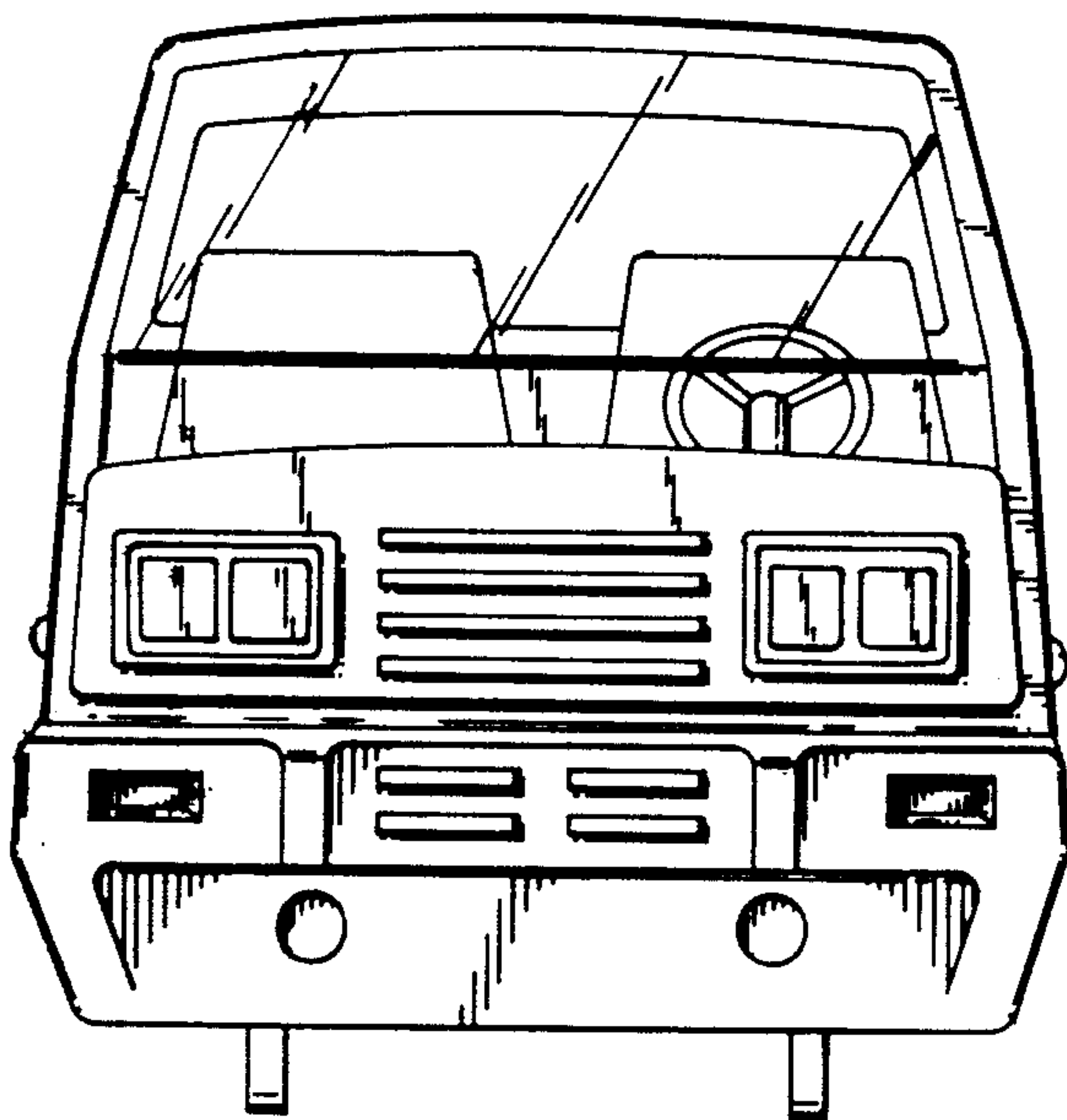
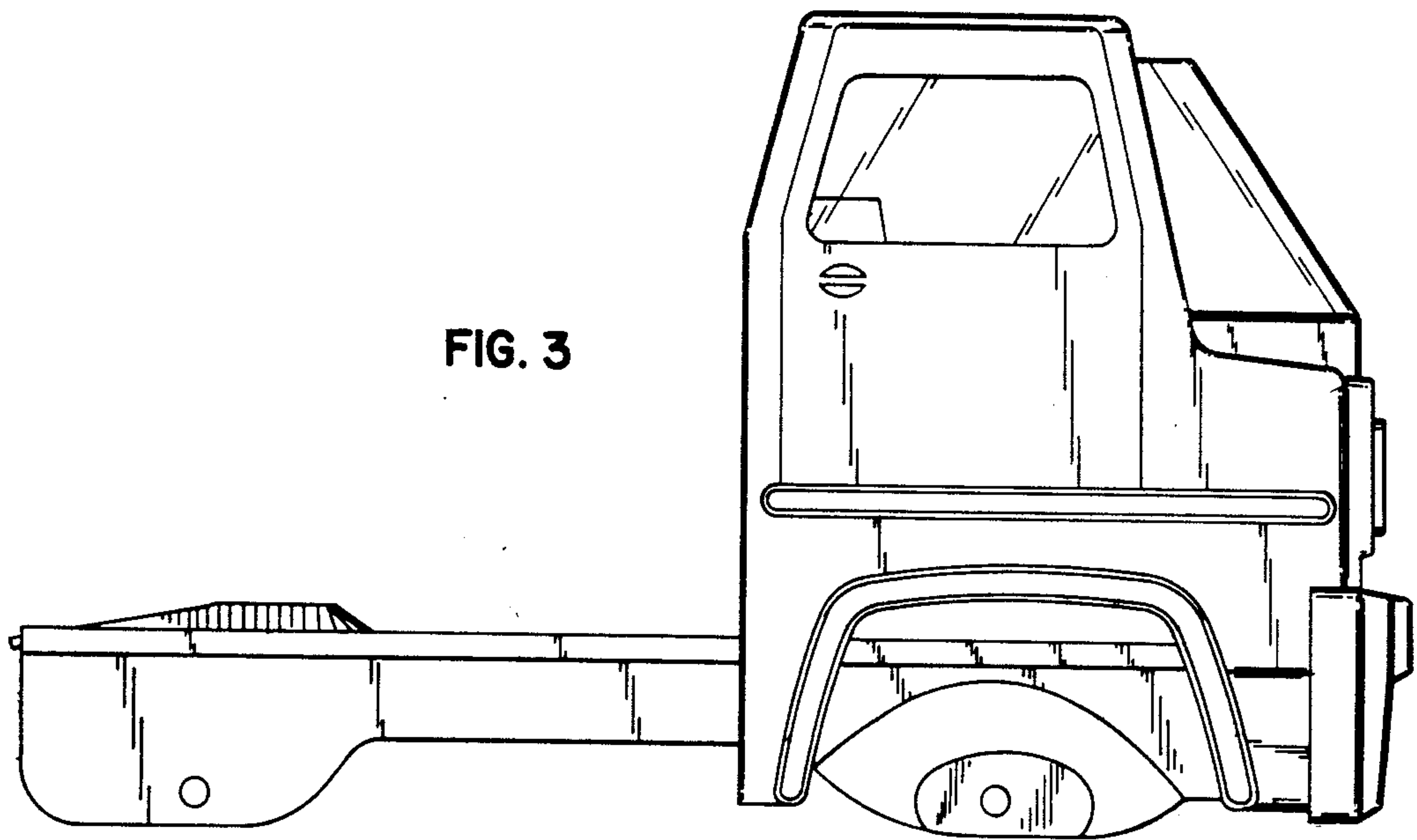


FIG. 2



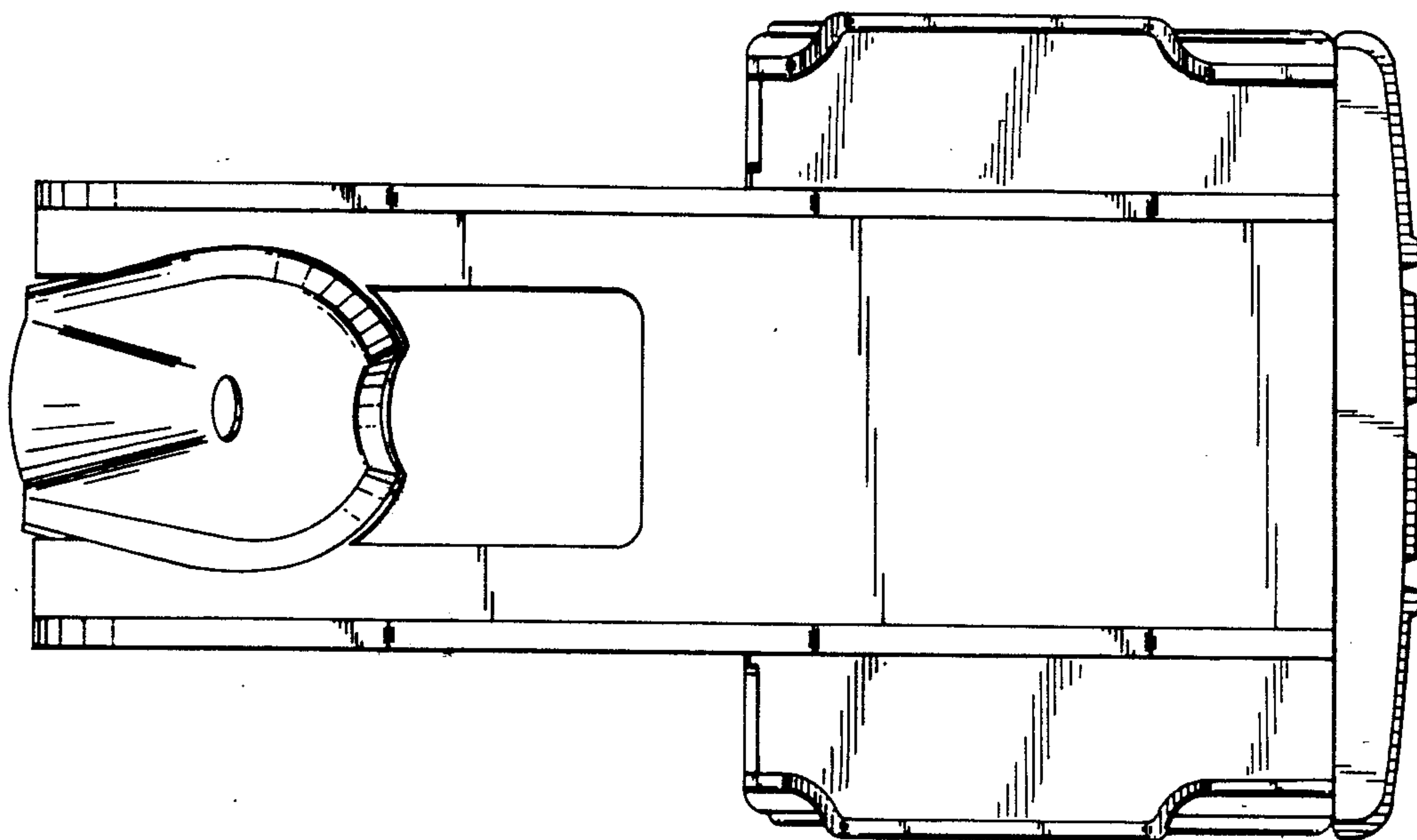


FIG. 6