

[54] TOY FORK LIFT

[75] Inventor: Victor J. Fratarcangeli, East Aurora, N.Y.

[73] Assignee: The Quaker Oats Company, Chicago, Ill.

[**] Term: 14 Years

[21] Appl. No.: 859,122

[22] Filed: Dec. 9, 1977

[51] Int. Cl. D21-01

[52] U.S. Cl. D21/134

[58] Field of Search D34/15 AJ, 15 AM, 15 AN; D15/10, 25, 23; 46/201, 204, 214, 219

[56] References Cited

U.S. PATENT DOCUMENTS

D. 213,312 2/1969 Renquist D15/23
D. 219,292 11/1970 Rosenthal D34/15 AJ

D. 243,546 3/1977 Peterson D34/15 AJ

OTHER PUBLICATIONS

Sears Wish Book, 1976, p. 454, Tonka ® Material Handling Set, Toy Fork Lift.

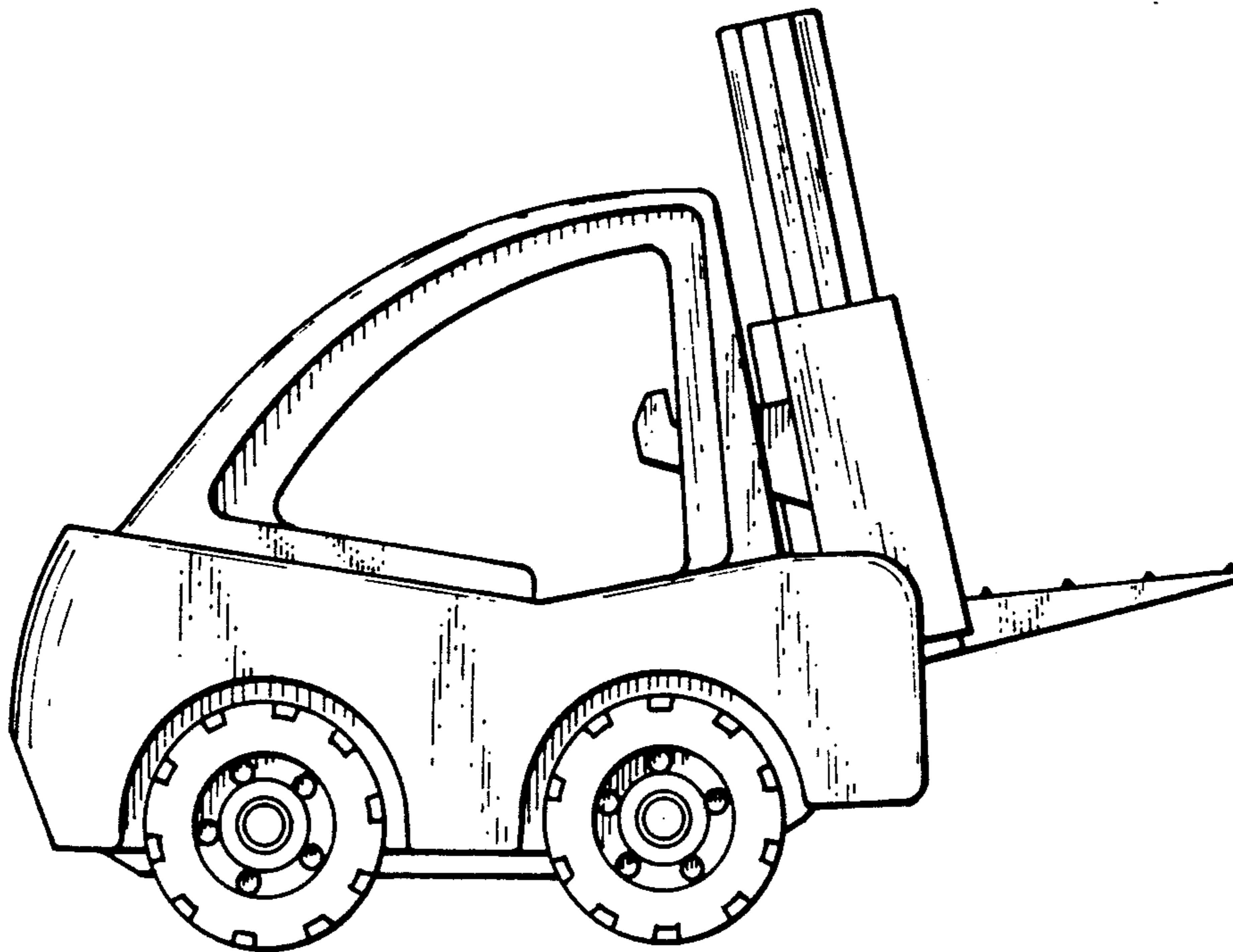
Primary Examiner—Joel Stearman
Assistant Examiner—Charles A. Rademaker
Attorney, Agent, or Firm—George W. Shaw

[57] CLAIM

The ornamental design for a toy fork lift, substantially as shown and described.

DESCRIPTION

FIG. 1 is a top plan view of a toy fork lift showing my new design;
FIG. 2 is a rear elevational view thereof;
FIG. 3 is a right-side elevational view thereof, the left side being substantially a mirror image;
FIG. 4 is a bottom plan view thereof; and
FIG. 5 is a front elevational view thereof.



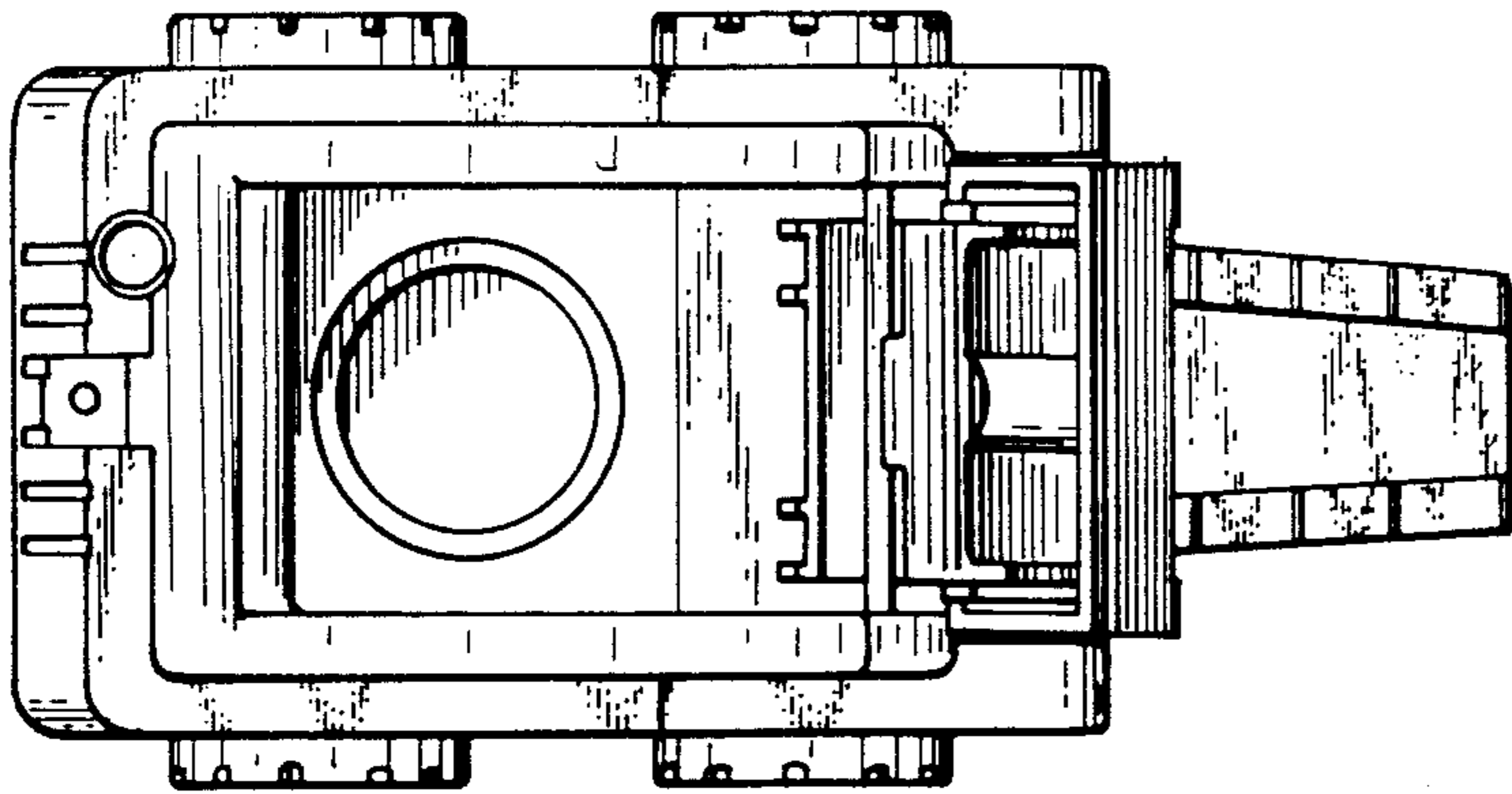


FIG. 1

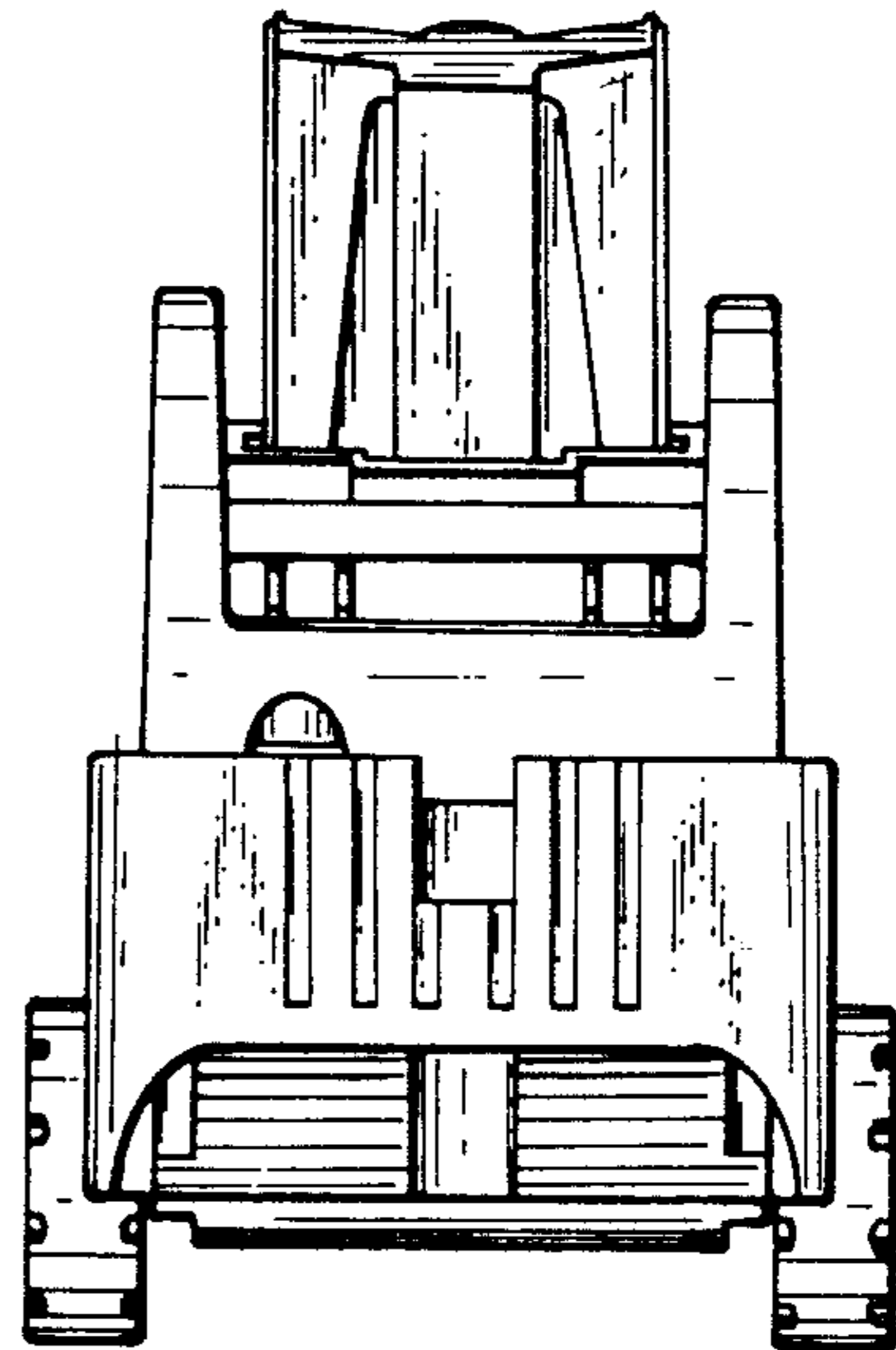


FIG. 2

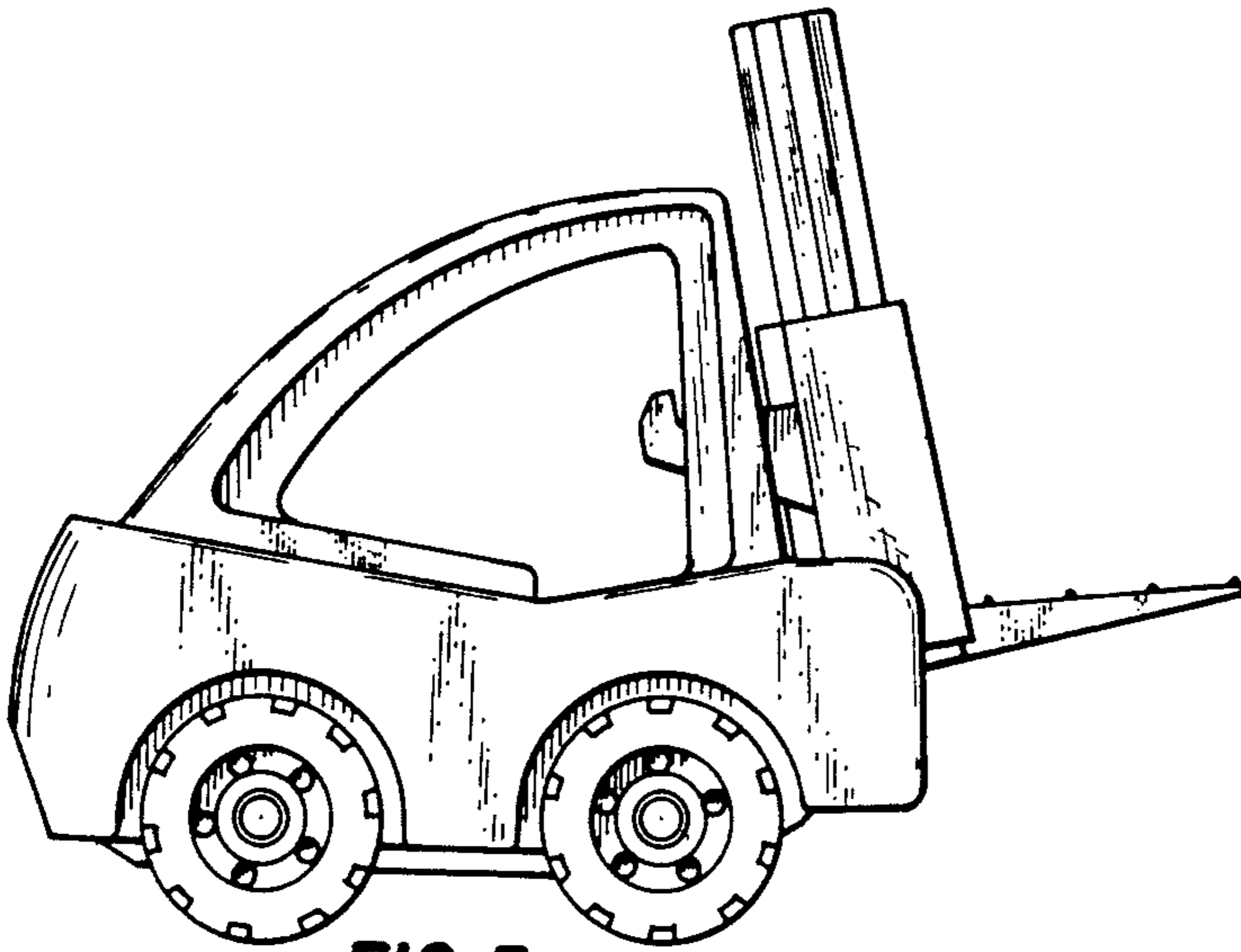


FIG. 3

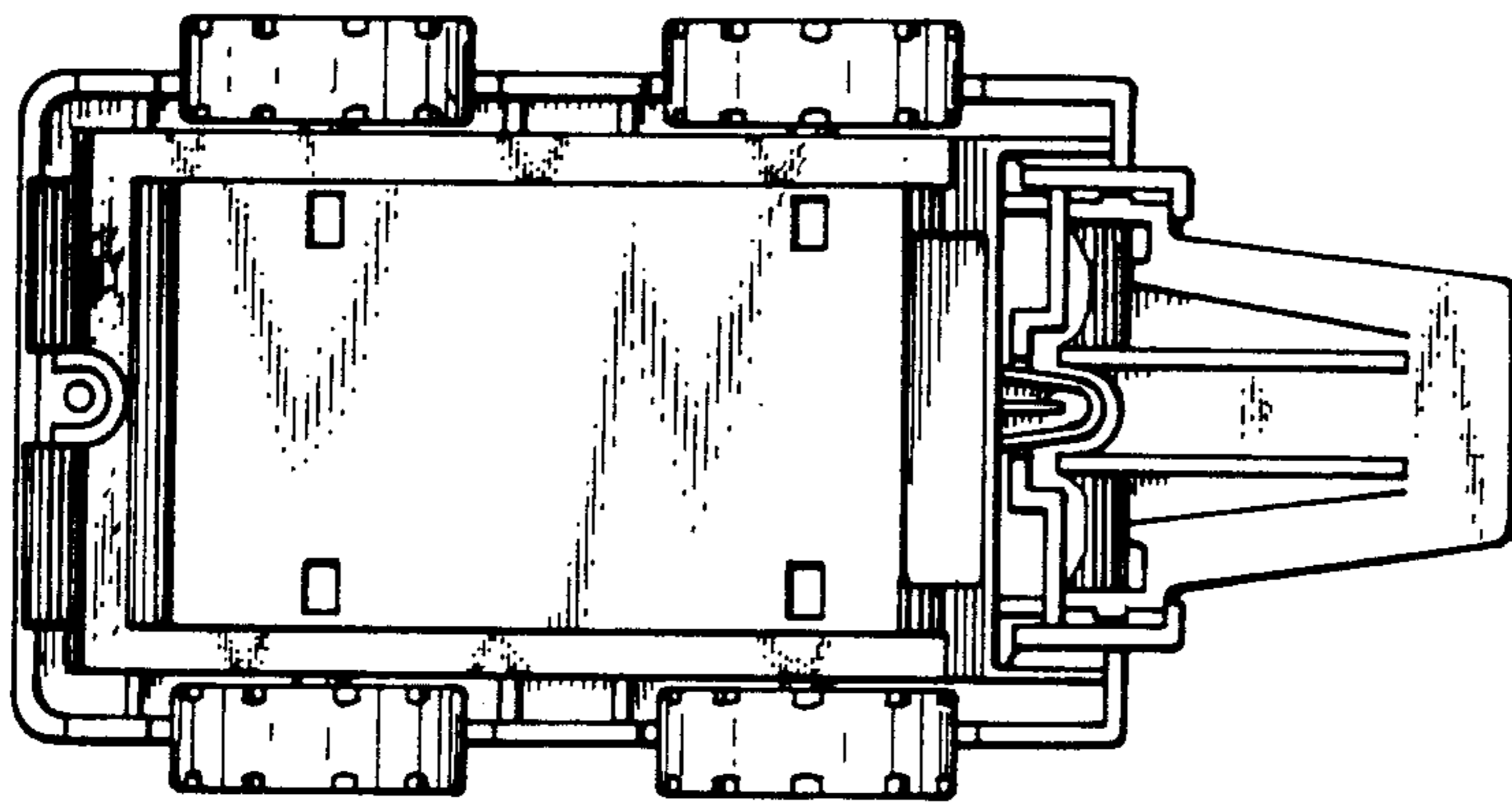


FIG. 4

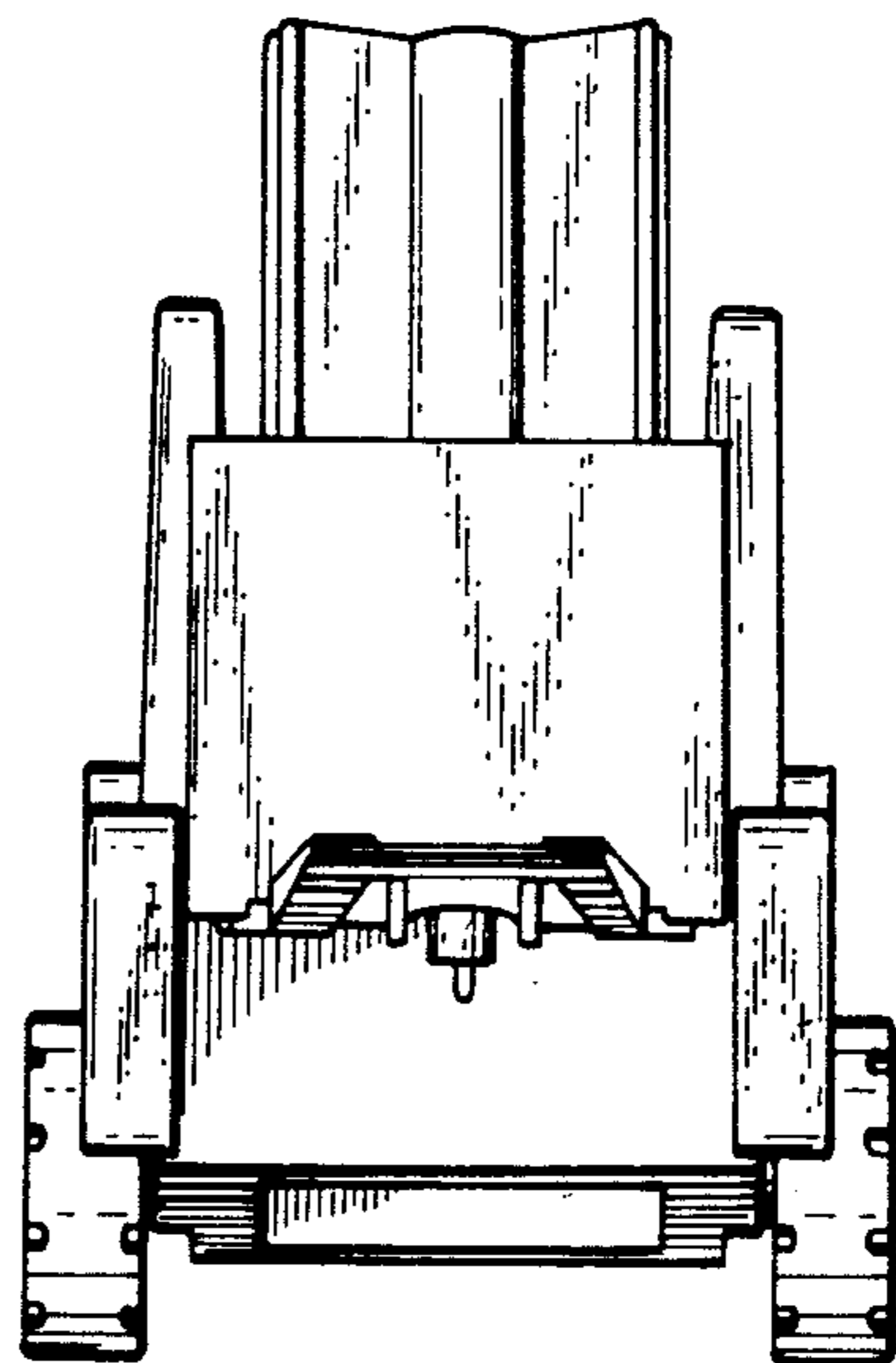


FIG. 5