

[54] TOY TRACTOR

3,835,583 9/1974 Manning ..... 46/201

[75] Inventor: Vernon A. Peterson, Minneapolis, Minn.

OTHER PUBLICATIONS

Sears Wish Book, 1976, p. 452, Item #2, Bulldozer.

[73] Assignee: Tonka Corporation, Spring Park, Minn.

Primary Examiner—Melvin B. Feifer  
Assistant Examiner—Charles A. Rademaker  
Attorney, Agent, or Firm—Norman P. Friederichs

[\*\*] Term: 14 Years

[21] Appl. No.: 870,934

[57] CLAIM

[22] Filed: Jan. 19, 1978

The ornamental design for the toy tractor, as shown and described.

[51] Int. Cl. .... D21-01

[52] U.S. Cl. .... D21/132

[58] Field of Search ..... D34/15 AJ, 15 AM, 15 AN;  
D15/10, 25, 23; 46/201, 204, 214, 219

DESCRIPTION

FIG. I is a perspective view of a toy tractor showing my new design;

FIG. II is a front elevational view thereof;

FIG. III is a rear elevational view thereof;

FIG. IV is a top plan view thereof;

FIG. V is a left side elevational view thereof, the side opposite being substantially a mirror image; and,

FIG. VI is a bottom plan view thereof.

[56] References Cited

U.S. PATENT DOCUMENTS

D. 189,812	2/1961	Purcell et al. ....	D15/23
D. 213,682	4/1969	Clarke et al. ....	D15/23
D. 238,955	2/1976	Peterson .....	D34/15 AJ

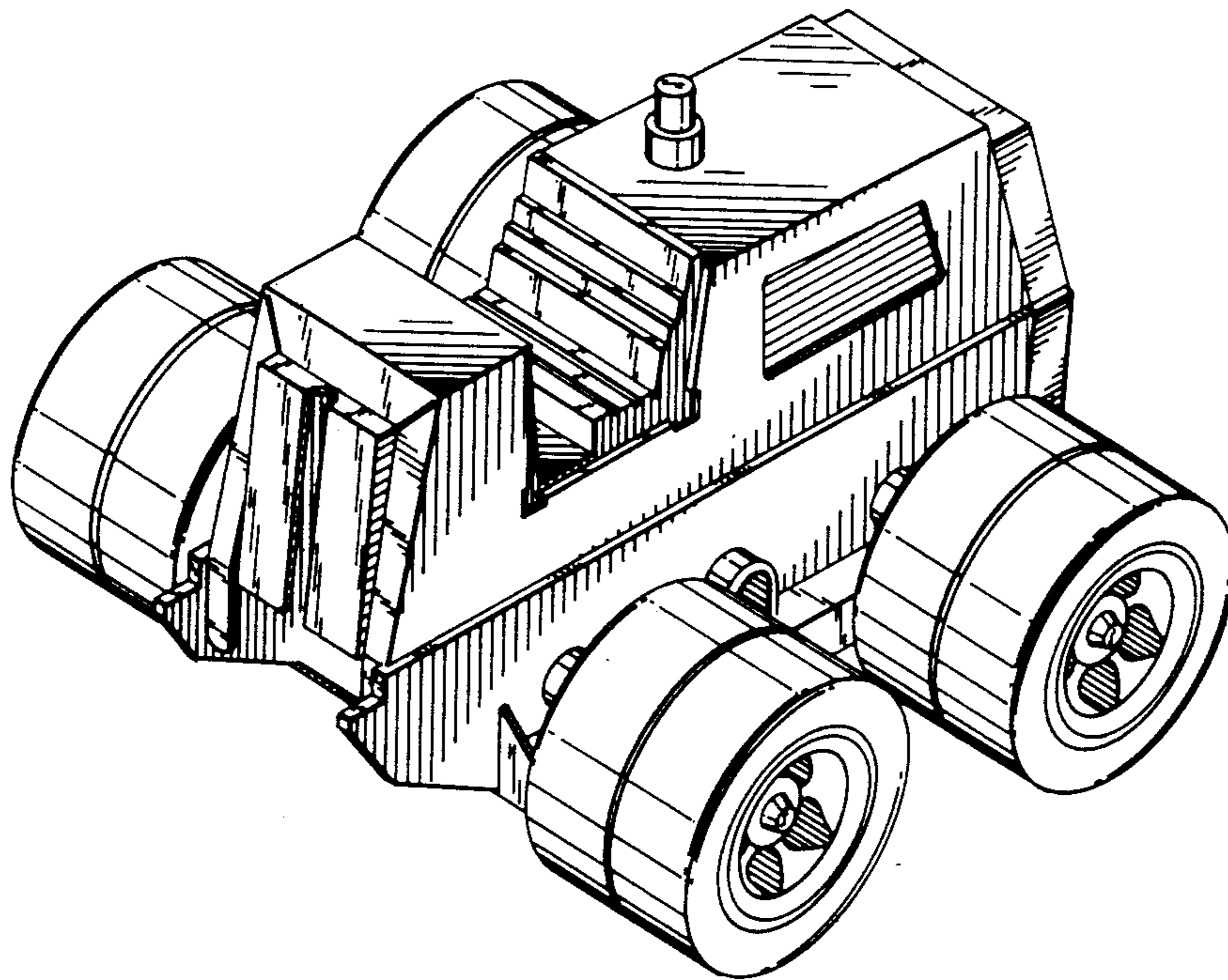


FIG. I

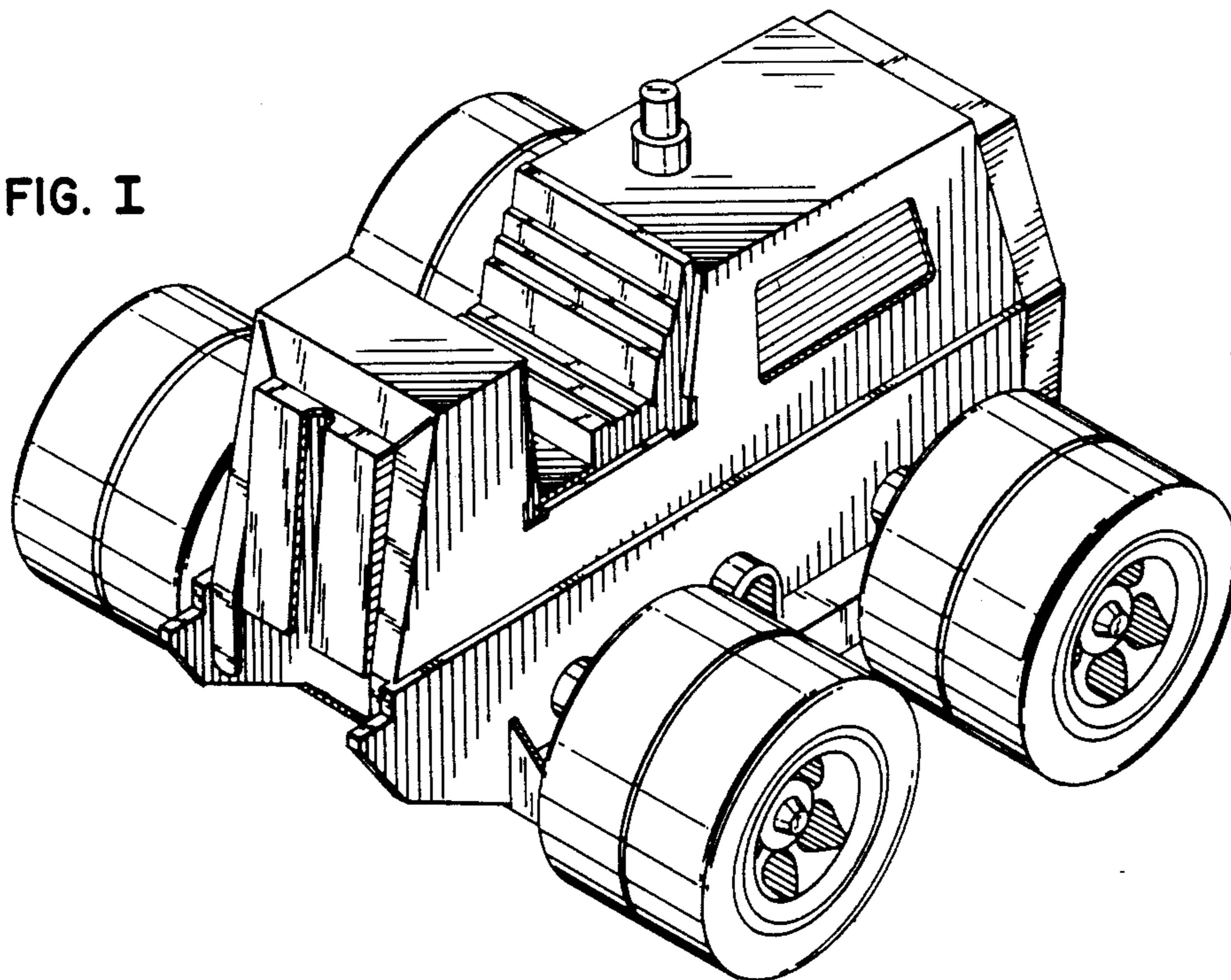


FIG. II

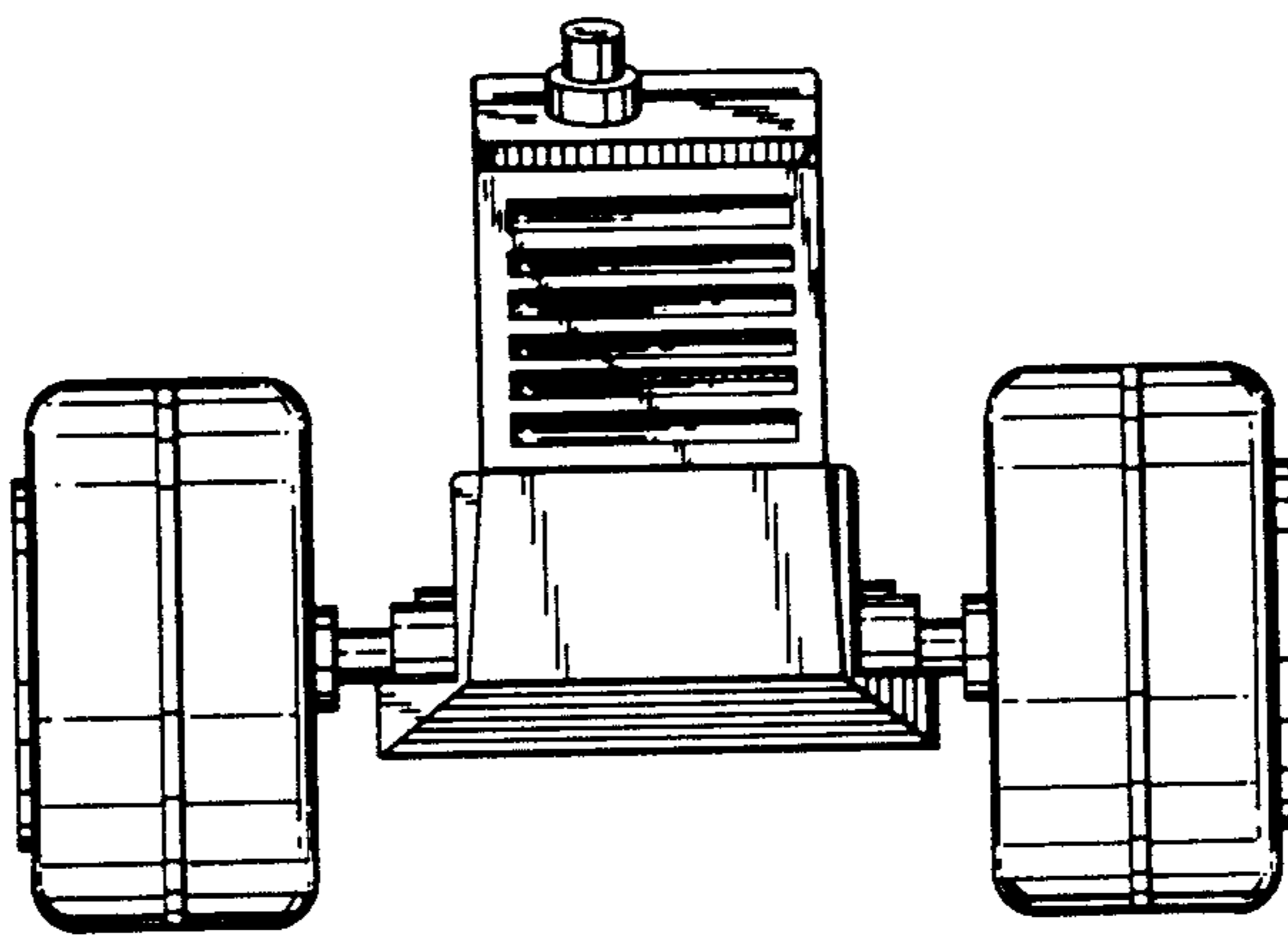


FIG. III

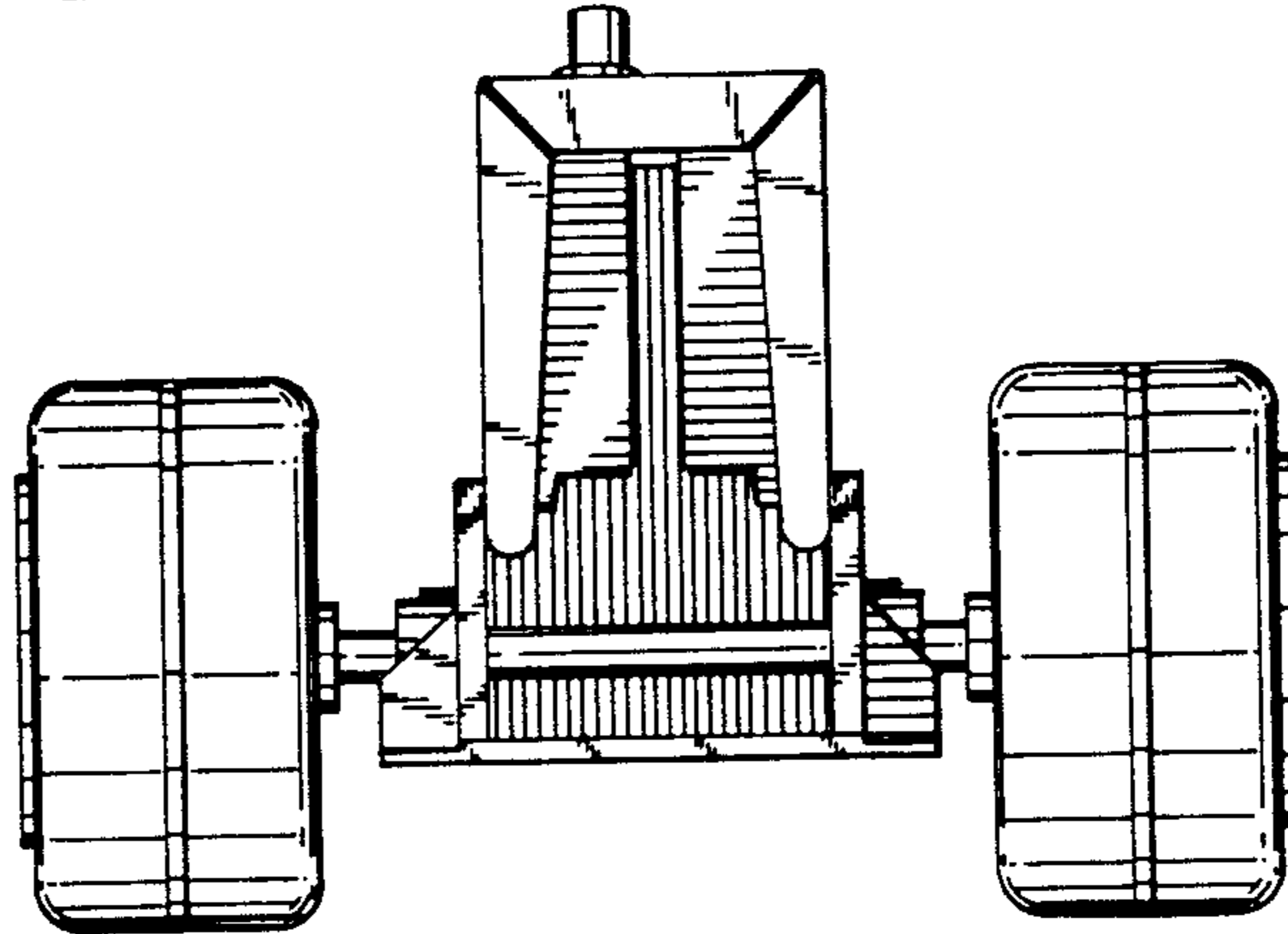


FIG. IV

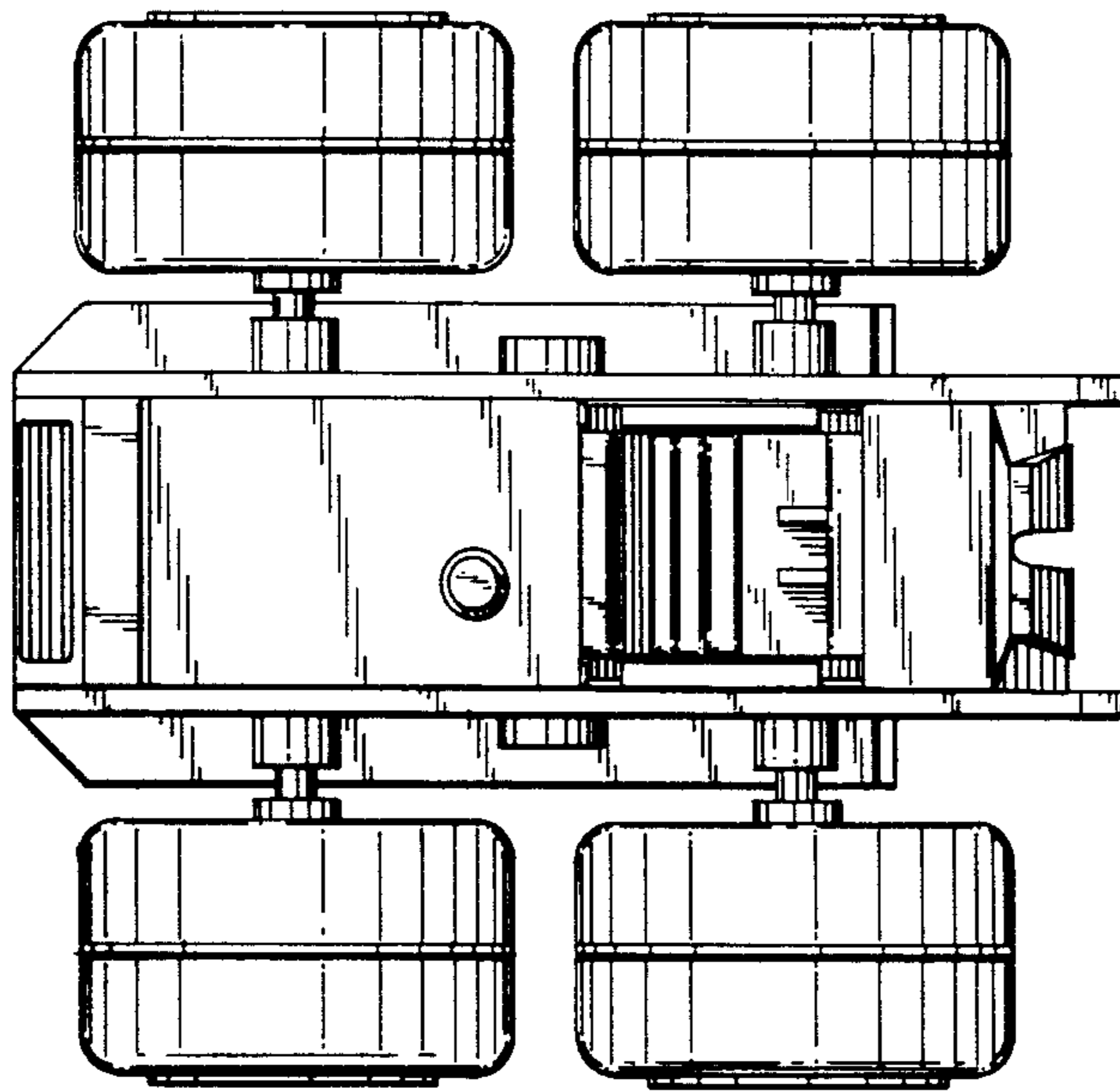


FIG. V

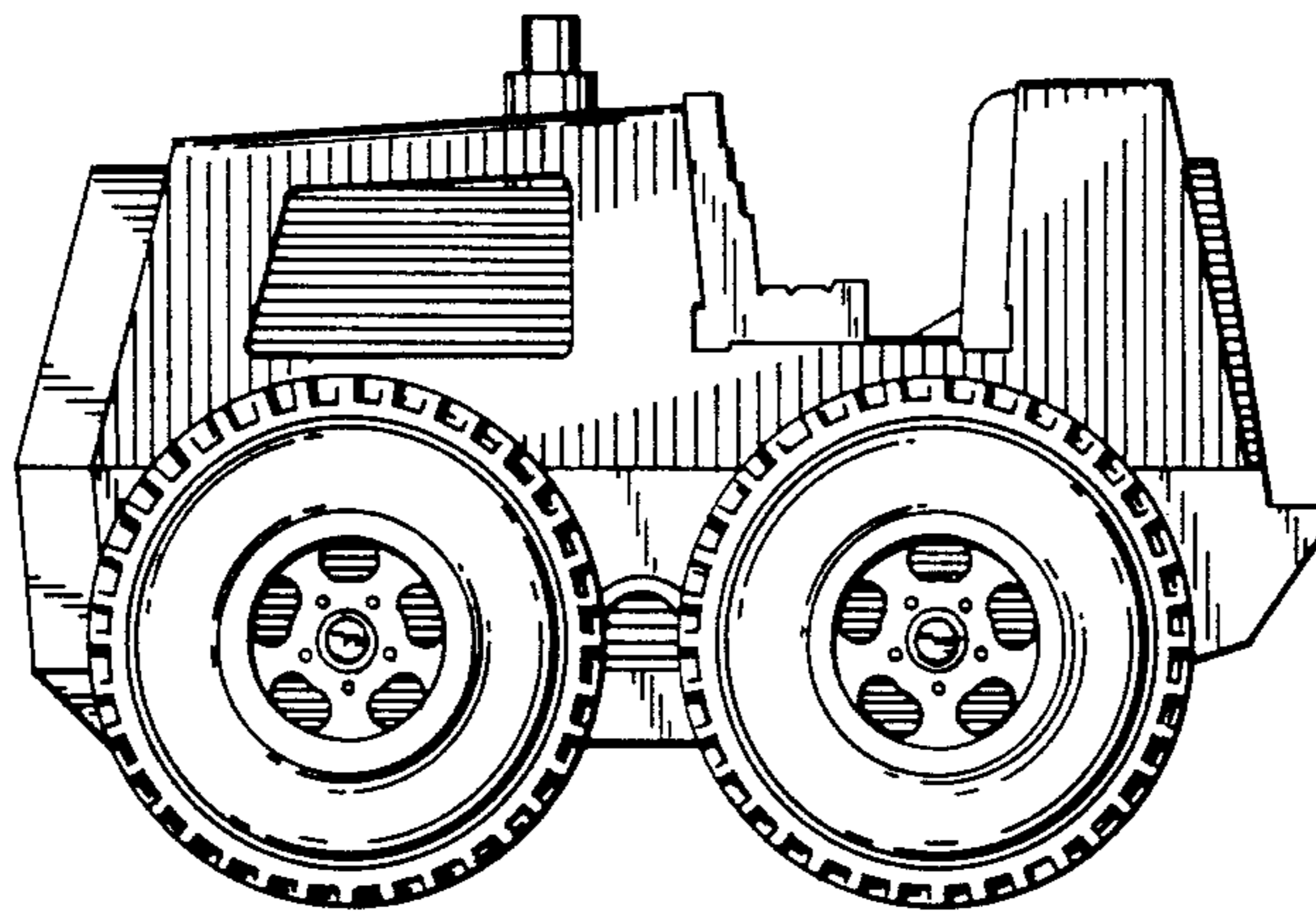


FIG. VI

