

[54] TOY VEHICLE

[75] Inventor: Michael I. Satten, Great Neck Estates, N.Y.

[73] Assignee: Child Guidance Playthings, Inc., New York, N.Y.

[\*\*] Term: 14 Years

[21] Appl. No.: 864,646

[22] Filed: Dec. 27, 1977

[51] Int. Cl. .... D21-01

[52] U.S. Cl. .... D21/80

[58] Field of Search ..... D34/15 AJ, 15 AT, 15 AM; D12/107, 108, 110, 112, 113; 280/87.01, 87.02 R, 87.02 W, 87.05; 46/201, 204, 214, 219

[56]

References Cited

U.S. PATENT DOCUMENTS

D. 225,761	1/1973	Munn et al. ....	D34/15 AJ
D. 234,923	4/1975	Hepp et al. ....	D34/15 AJ
1,278,851	9/1918	Carter .....	D34/15 AJ
4,052,082	10/1977	Jones et al. ....	280/87.02 R

Primary Examiner—Joel Stearman  
Assistant Examiner—Charles A. Rademaker  
Attorney, Agent, or Firm—Arthur H. Seidel

[57]

CLAIM

The ornamental design for a toy vehicle, as shown and described.

DESCRIPTION

FIG. 1 is a top plan view of a toy vehicle showing my new design;

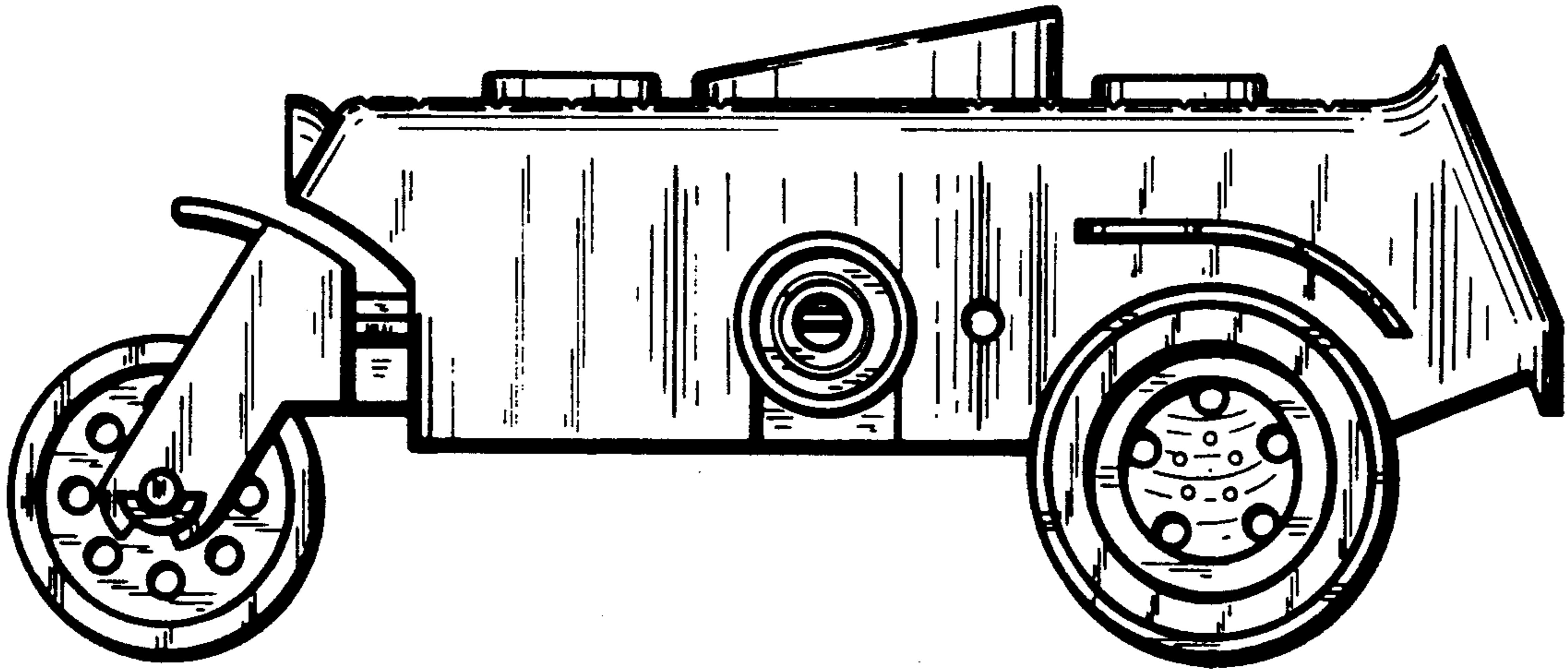
FIG. 2 is a right side elevational view thereof;

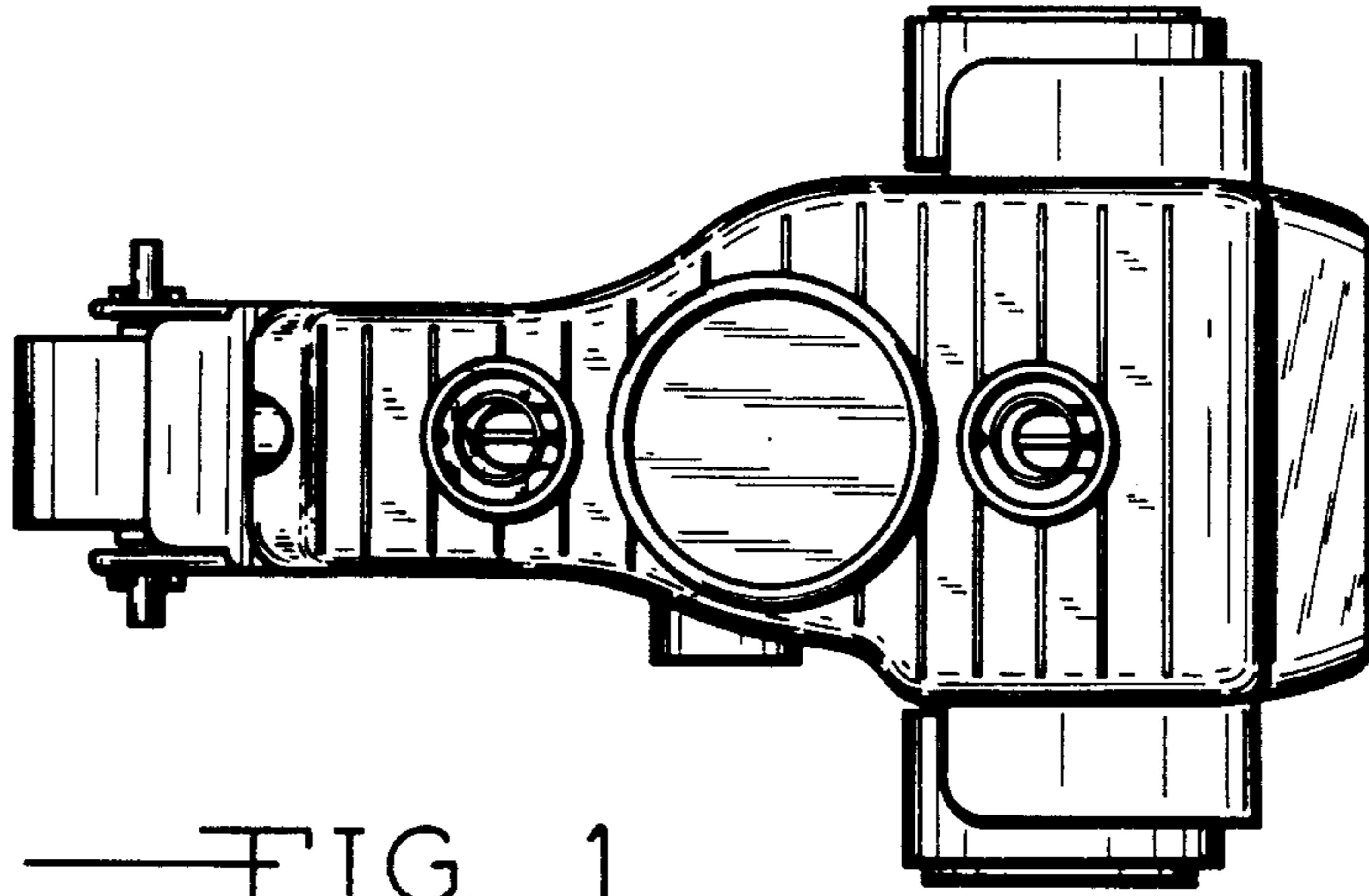
FIG. 3 is a bottom plan view thereof;

FIG. 4 is a left side elevational view thereof;

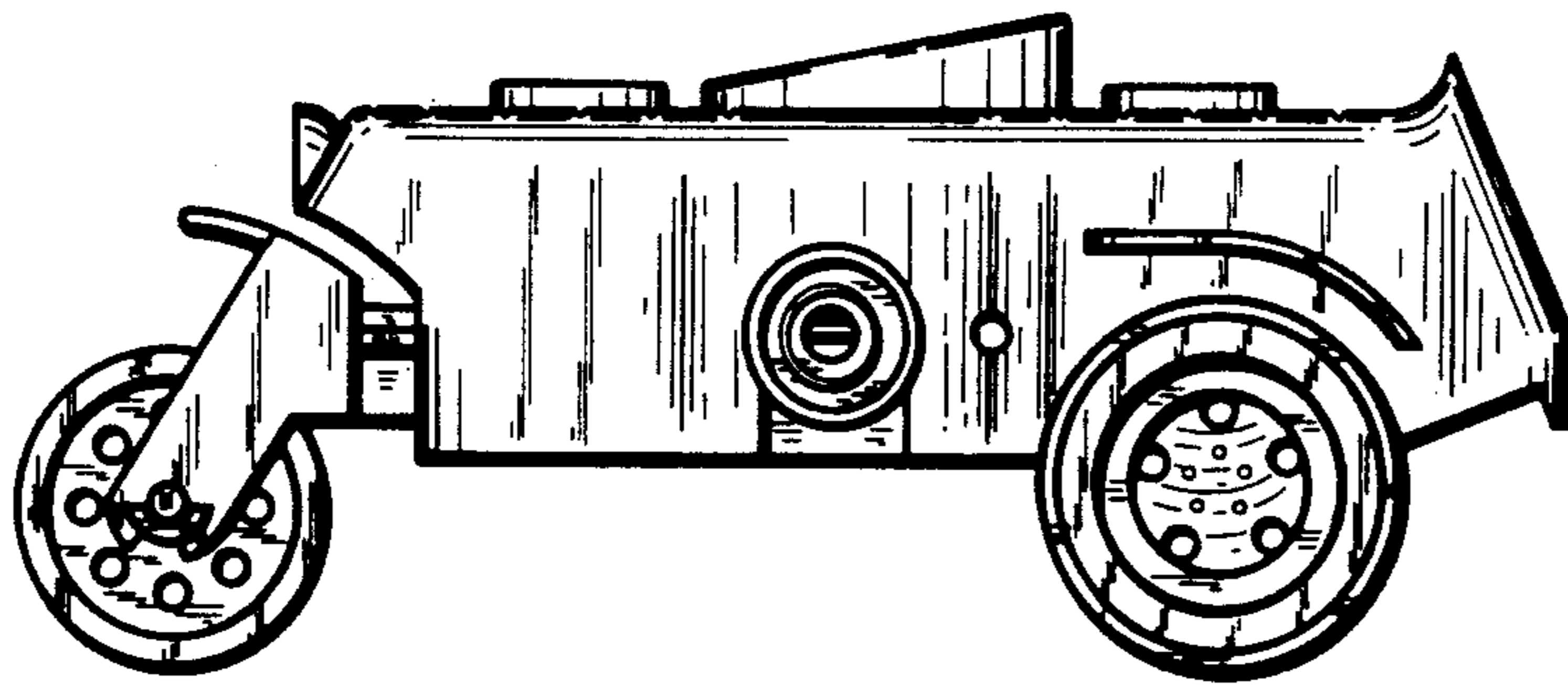
FIG. 5 is a front elevational view thereof; and,

FIG. 6 is a rear elevational view thereof.

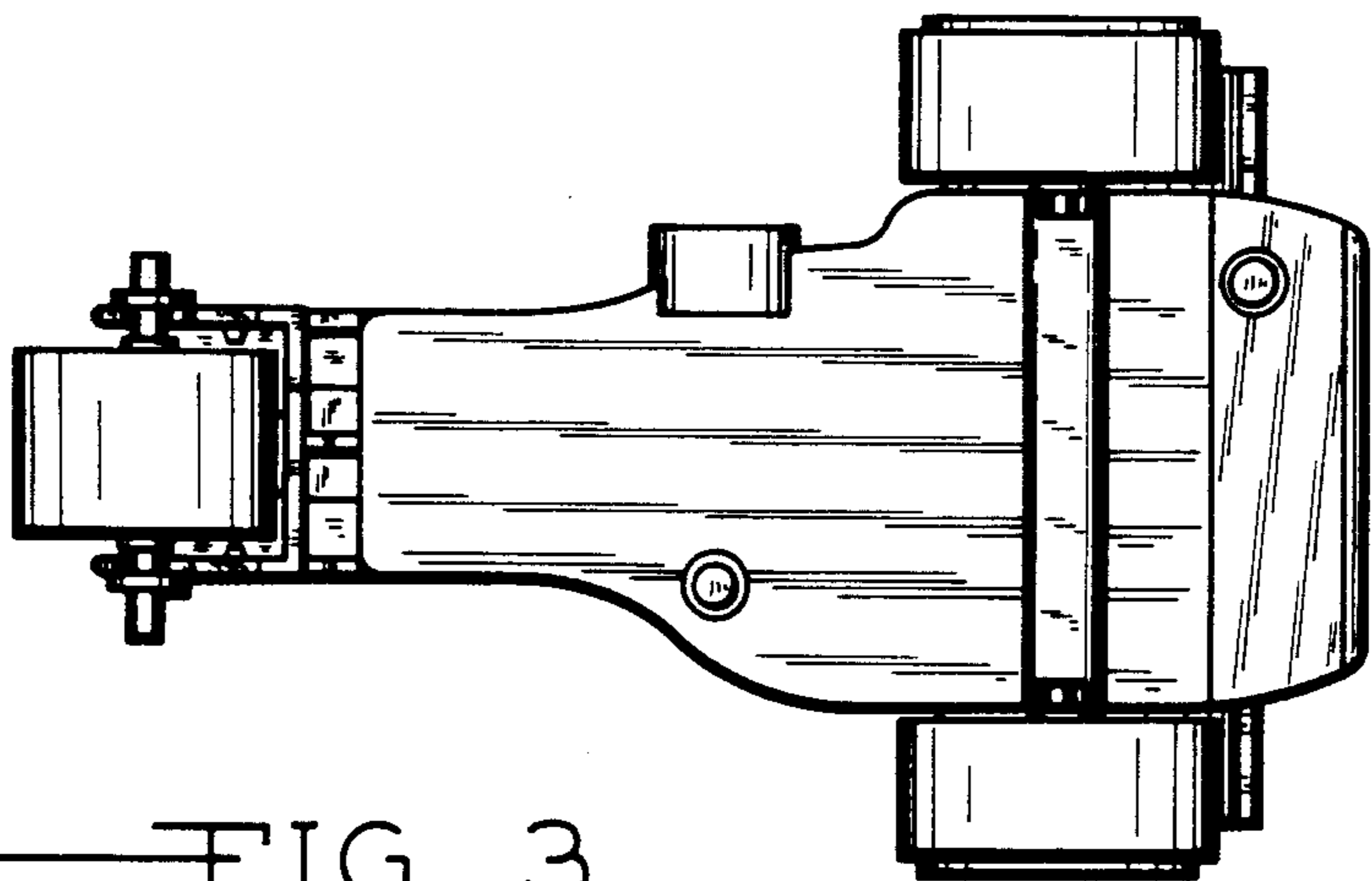




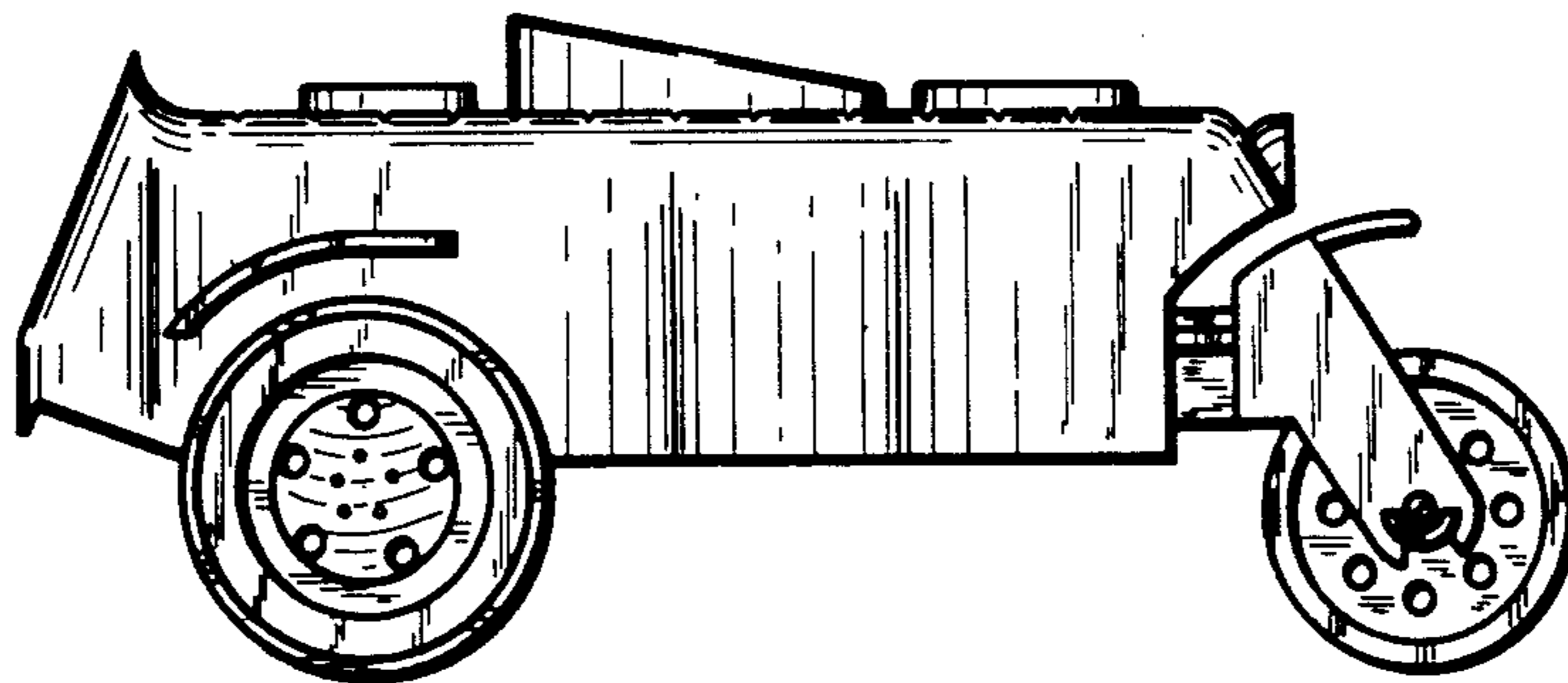
—FIG. 1



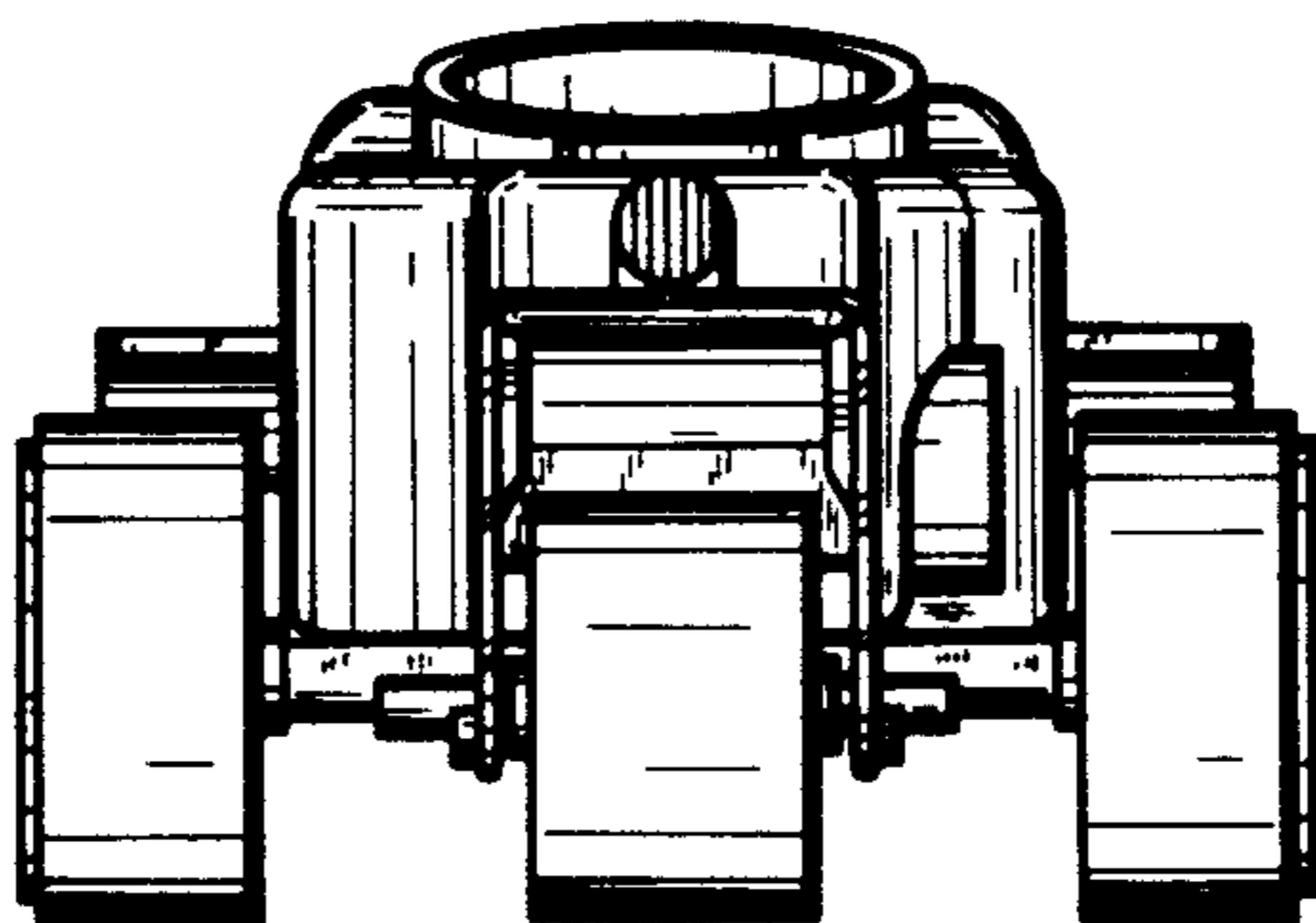
—FIG. 2



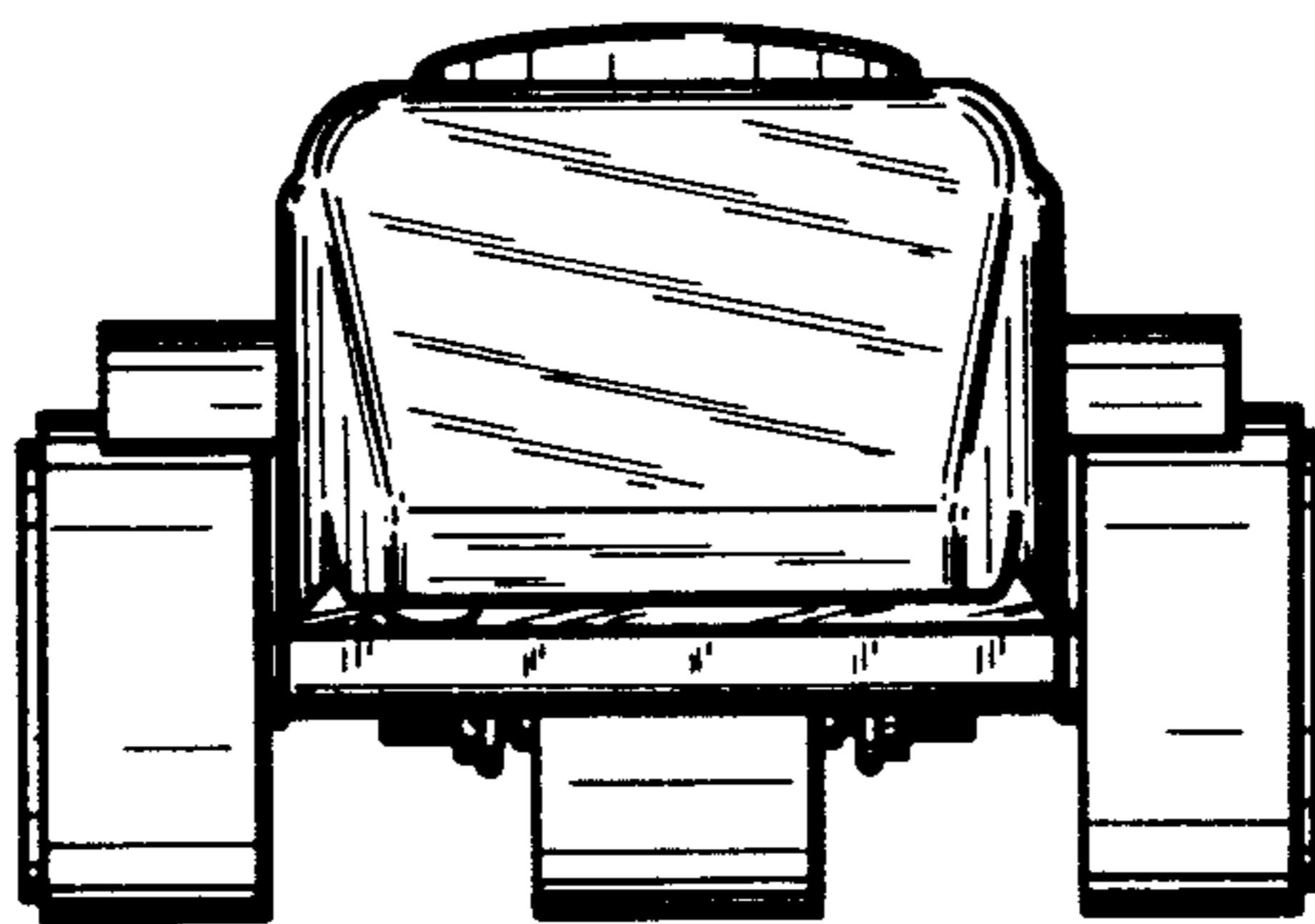
—FIG. 3



—FIG. 4



—FIG. 5



—FIG. 6