

[54] HOLDER FOR SMALL STATIONARY ITEMS OR THE LIKE

[56]

References Cited

U.S. PATENT DOCUMENTS

D. 79,822 11/1929 Larrabee D19/82
1,054,513 2/1913 Dickson 40/15 A

OTHER PUBLICATIONS

Kilbourne & Jacobs Mfg. Co. Cat. #31, p. 29.

Primary Examiner—Melvin B. Feifer
Assistant Examiner—George P. Word
Attorney, Agent, or Firm—Warren F. B. Lindsley

[76] Inventor: **Ralph E. Bosler**, 4149 W. Port au Prince, Phoenix, Ariz. 85023

[**] Term: **14 Years**

[21] Appl. No.: **818,465**

[57] CLAIM

[22] Filed: **Jul. 25, 1977**

The ornamental design for a holder for small stationary items or the like, as shown and described.

[51] Int. Cl. **D19-02**

DESCRIPTION

[52] U.S. Cl. **D19/82; D19/85; D19/97**

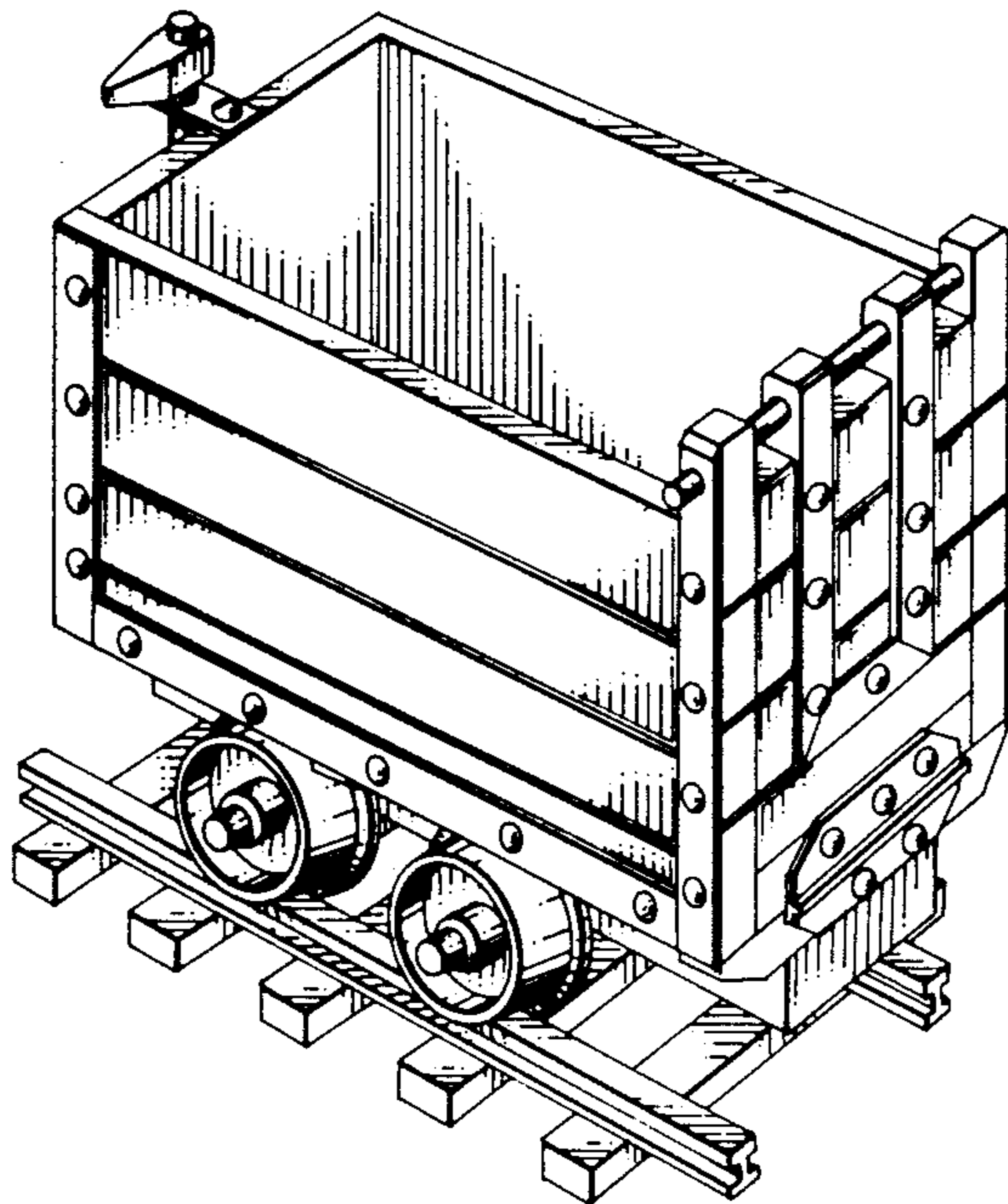
FIG. 1 is a perspective view of a holder for small stationary item or the like, showing my new design;

[58] Field of Search **D19/75, 77-80, D19/81-85, 93, 94, 95-97; D12/39; 40/15 A; 105/364**

FIG. 2 is a top plan view thereof;

FIG. 3 is a bottom plan view thereof; and

FIG. 4 is a rear elevational view thereof.



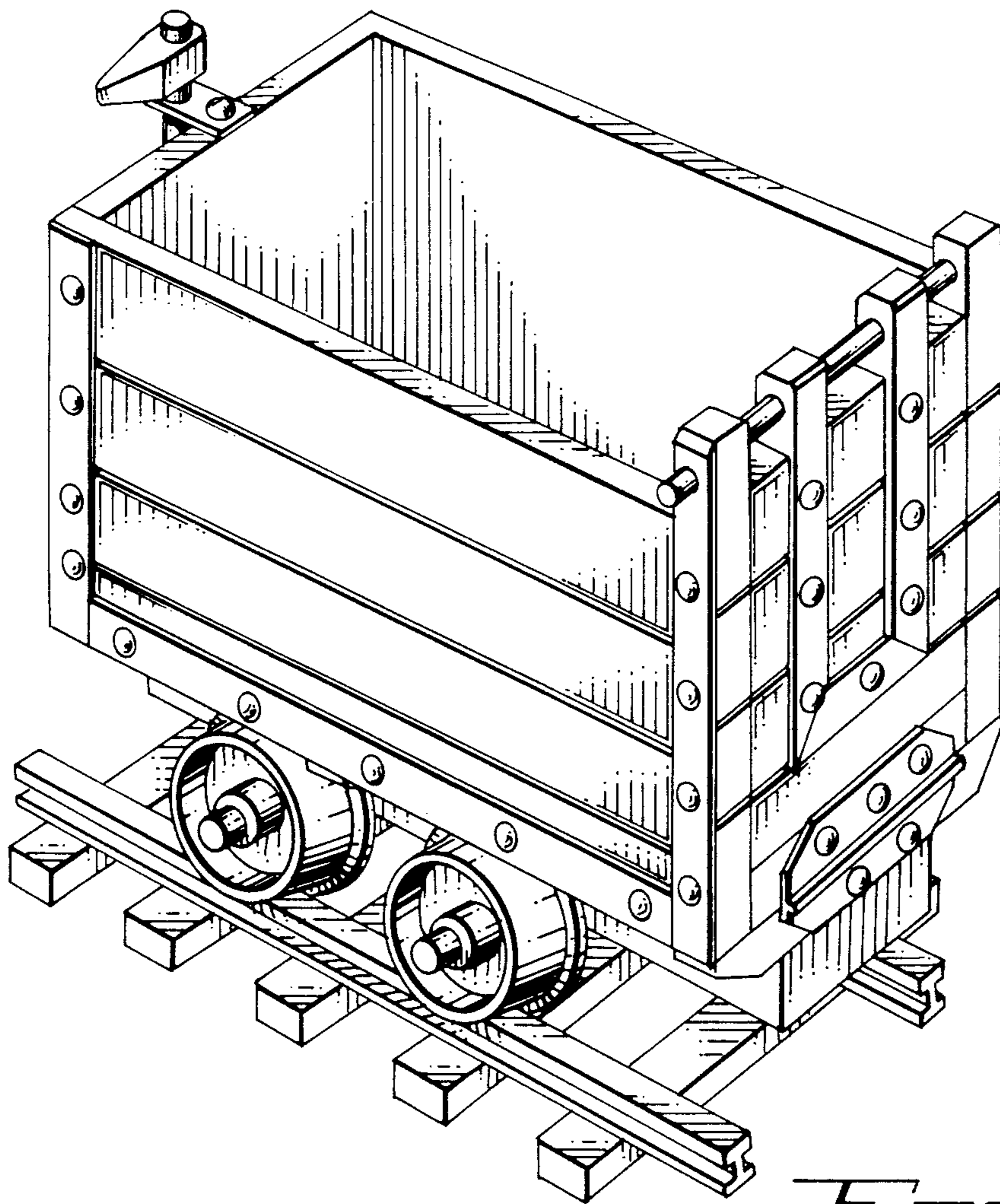


FIG. 1

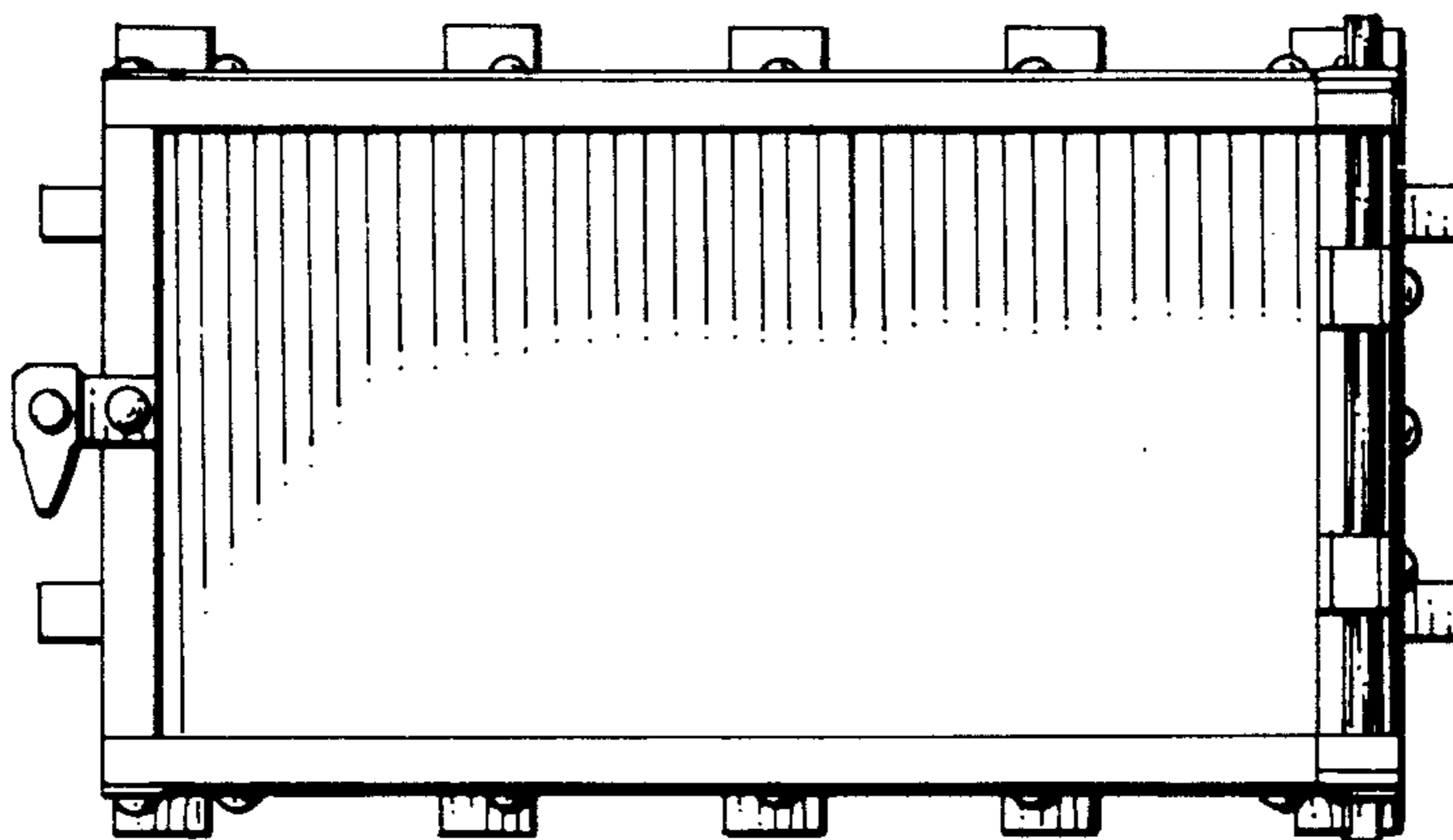


FIG. 2

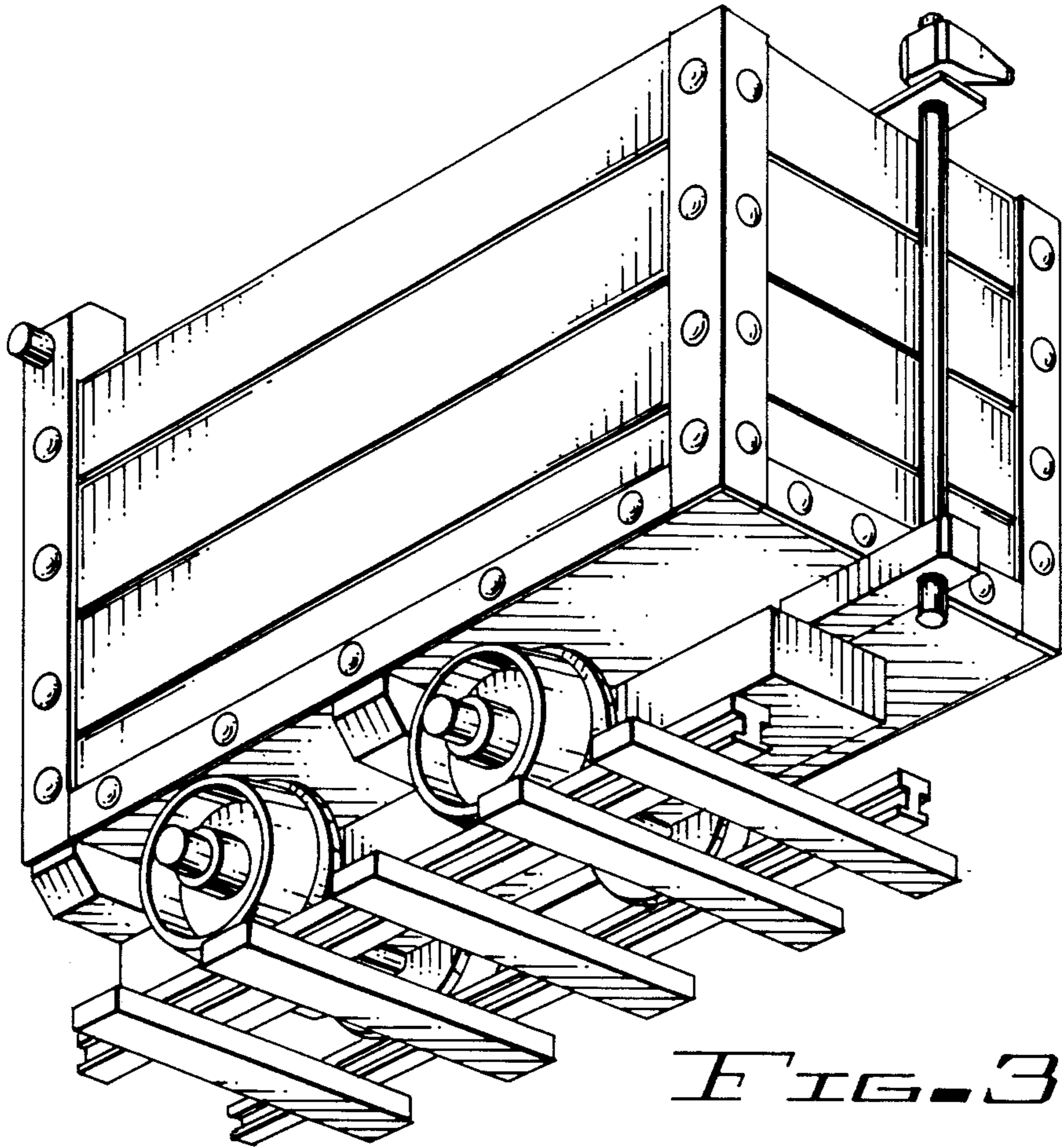


FIG. 3

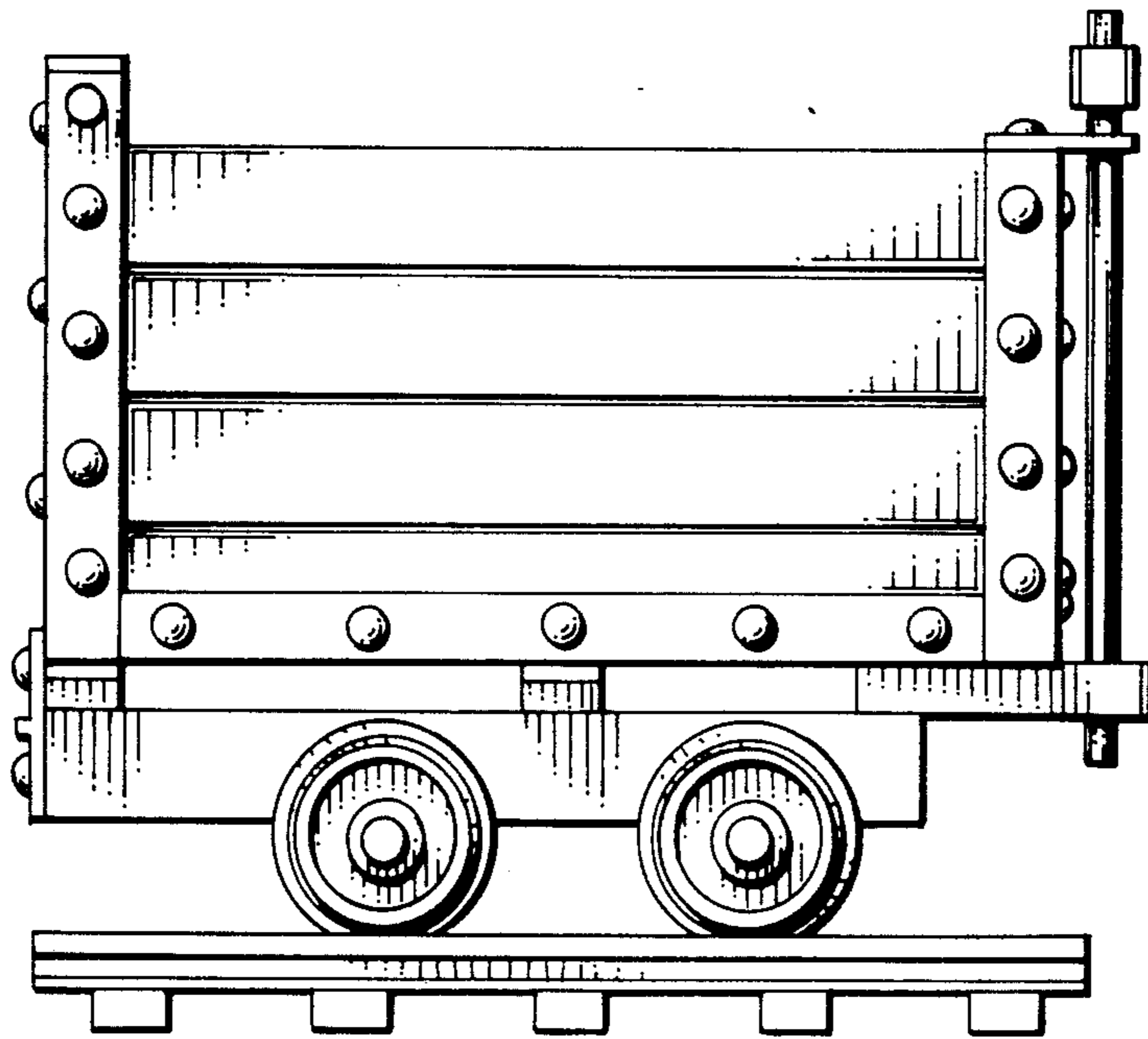


FIG. 4