

[54] NIGHT VISION SCOPE

[75] Inventor: Alan Litman, Pittsburgh, Pa.

[73] Assignee: Smith & Wesson Chemical Company, Inc., Pittsburgh, Pa.

[**] Term: 14 Years

[21] Appl. No.: 833,936

[22] Filed: Sep. 16, 1977

[51] Int. Cl. D16-06

[52] U.S. Cl. D16/48; D16/83; 250/213 VT

[58] Field of Search D16/48, 59, 83; 250/213 VT; 350/8, 89, 72, 145

[56] References Cited

U.S. PATENT DOCUMENTS

D. 228,027	7/1973	Heckel et al.	D16/48
D. 248,860	8/1978	Spranger et al.	D16/48
D. 250,341	11/1978	McClure	D16/59
3,787,688	1/1974	Stone	250/213 VT
3,803,407	4/1974	Anderson	250/213 VT

Primary Examiner—Bernard Ansher
Attorney, Agent, or Firm—Patrick J. Walsh

[57] CLAIM

The ornamental design for the night vision scope, as shown and described.

DESCRIPTION

FIG. 1 is a side elevational view of the night vision scope, showing my new design;
 FIG. 2 is a top plan view of the night vision scope;
 FIG. 3 is a bottom plan view of the night vision scope;
 FIG. 4 is a side elevational view of the night vision scope from the opposite side of the night vision scope illustrated in FIG. 1;
 FIG. 5 is an end elevational view of the night vision scope looking from left to right in FIG. 1;
 FIG. 6 is an end elevational view of the night vision scope looking from right to left in FIG. 1;
 FIG. 7 is a side elevational view of the night vision scope illustrated in FIG. 1 and illustrated with an optical filter covering the end of the scope;
 FIG. 8 is a side elevational view of the night vision scope illustrated in FIG. 7 and illustrating the scope with the filter in a retracted position; and
 FIG. 9 is an end elevational view of the night vision scope with the filter covering the end of the scope and looking from left to right in FIG. 7.

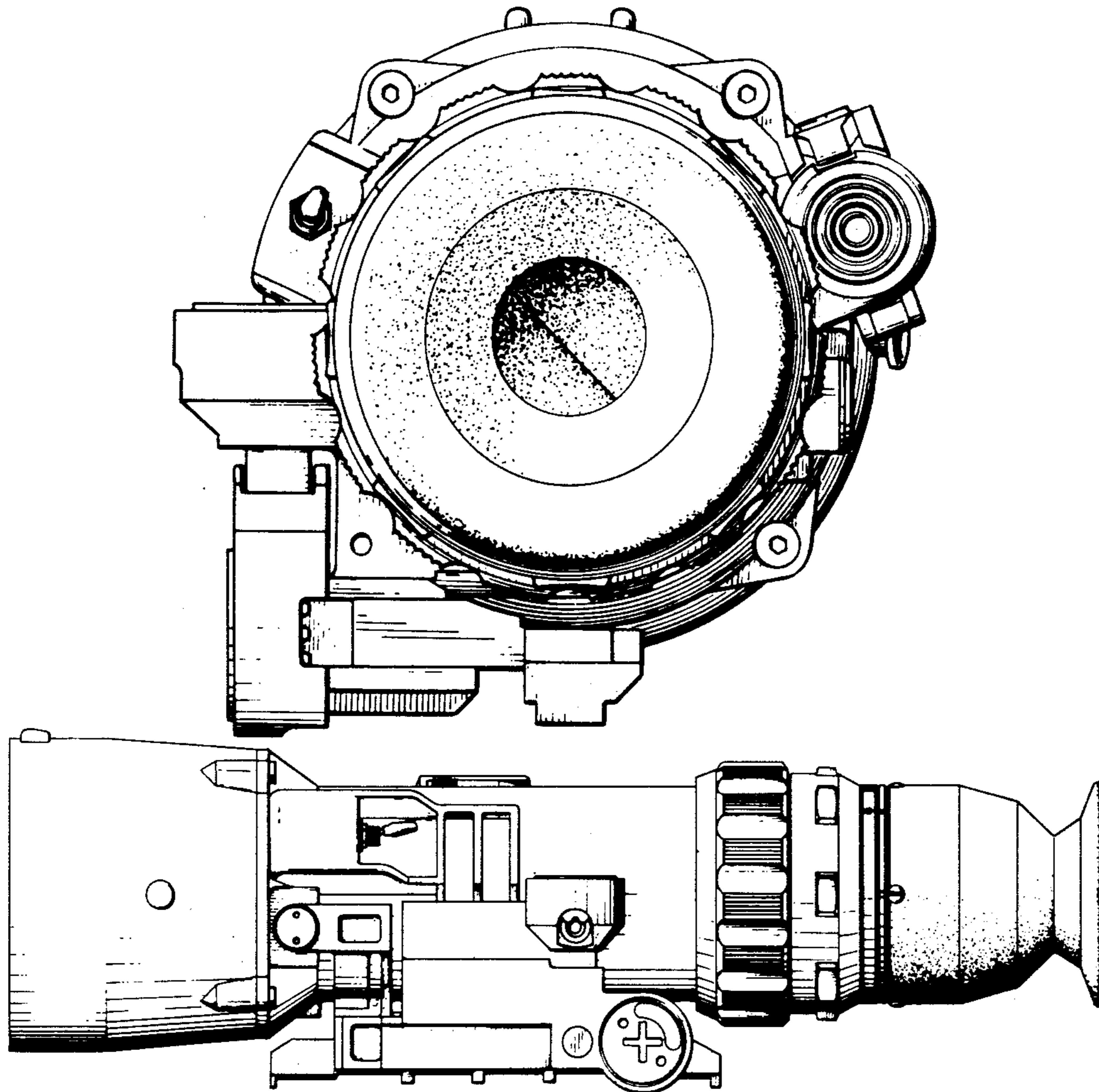


FIG. 1

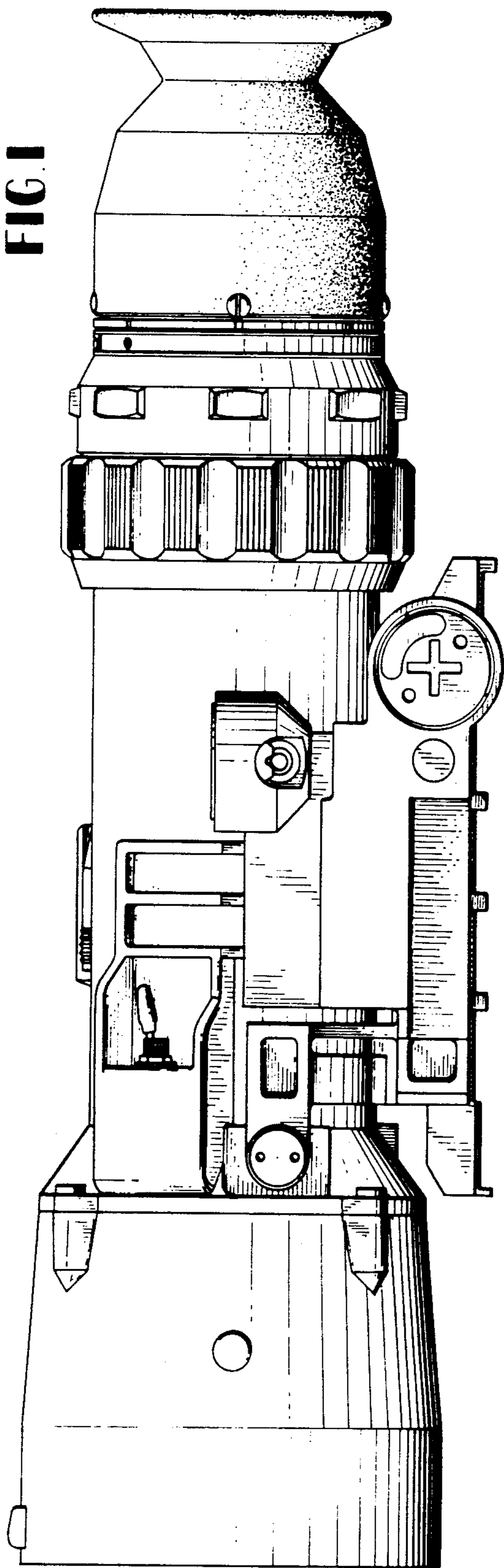
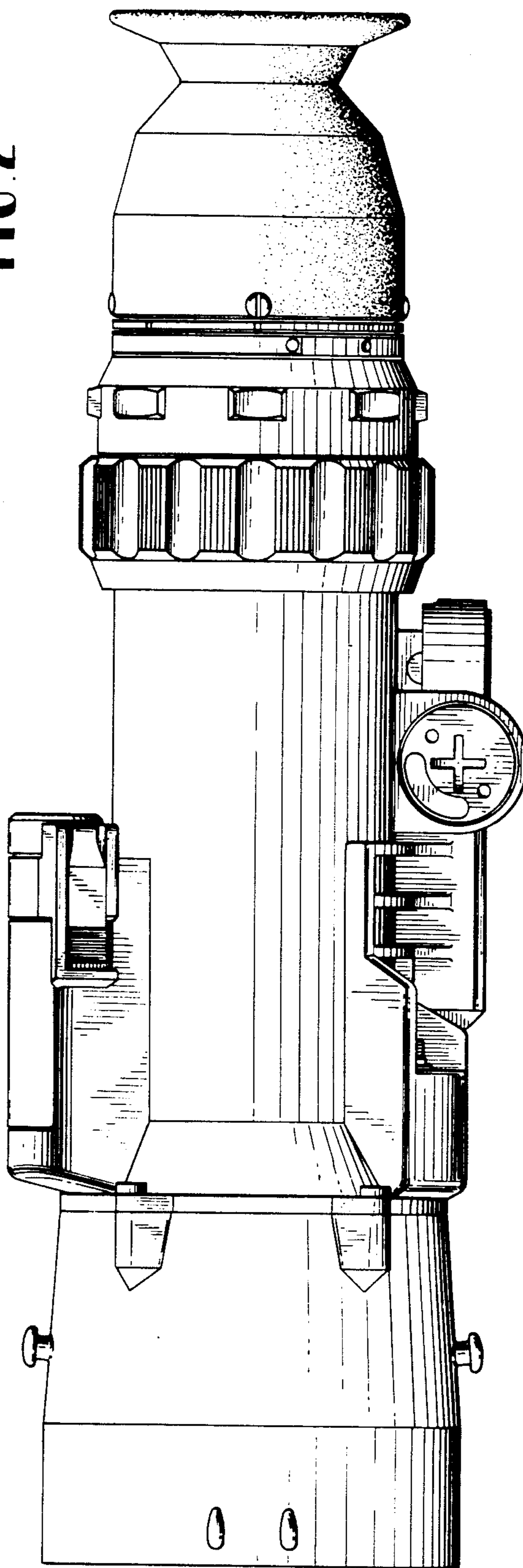
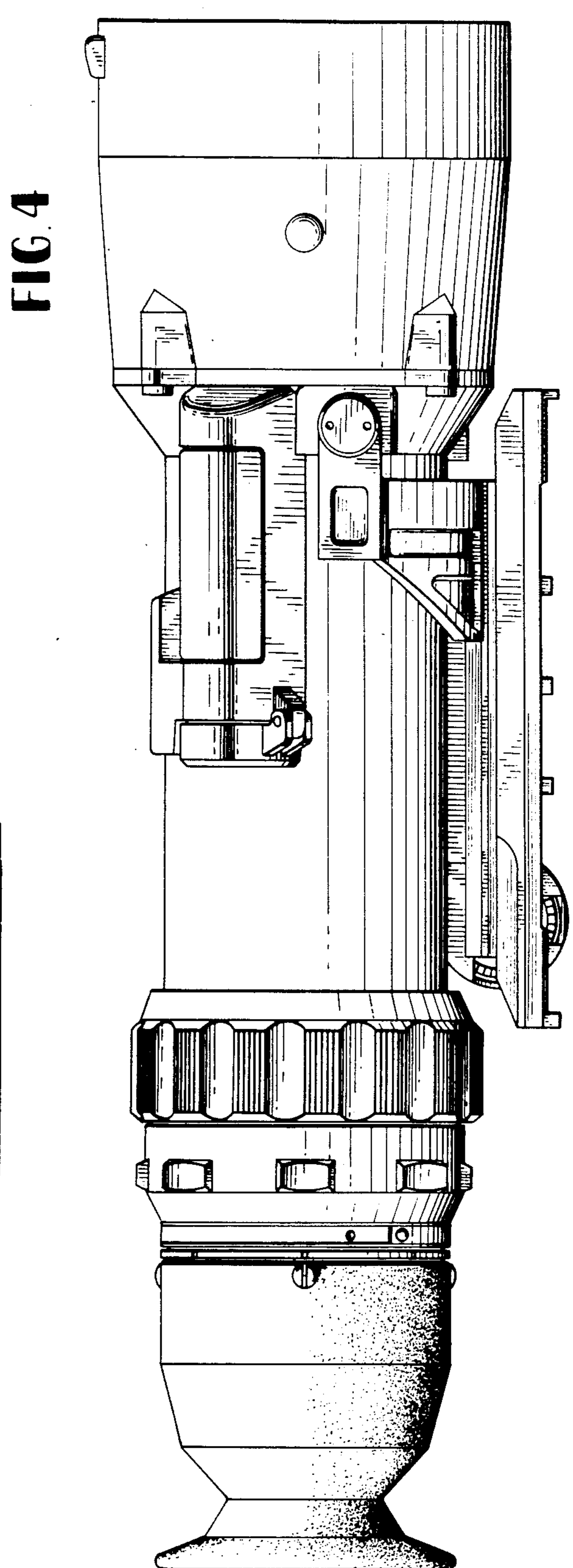
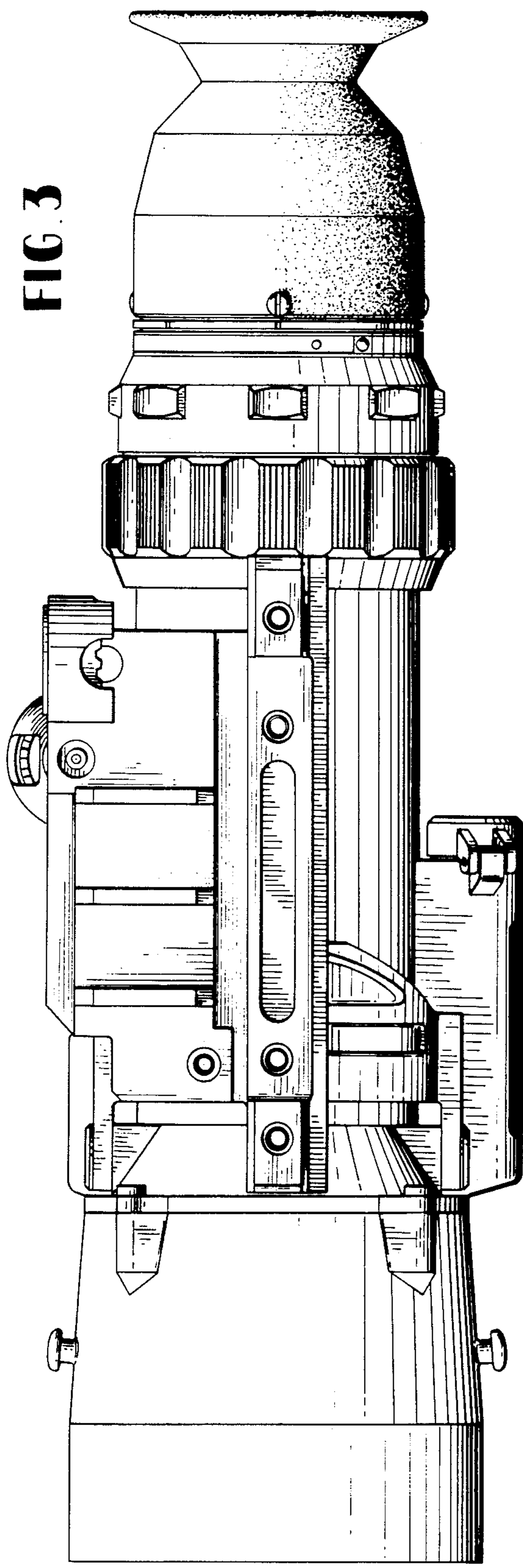


FIG. 2





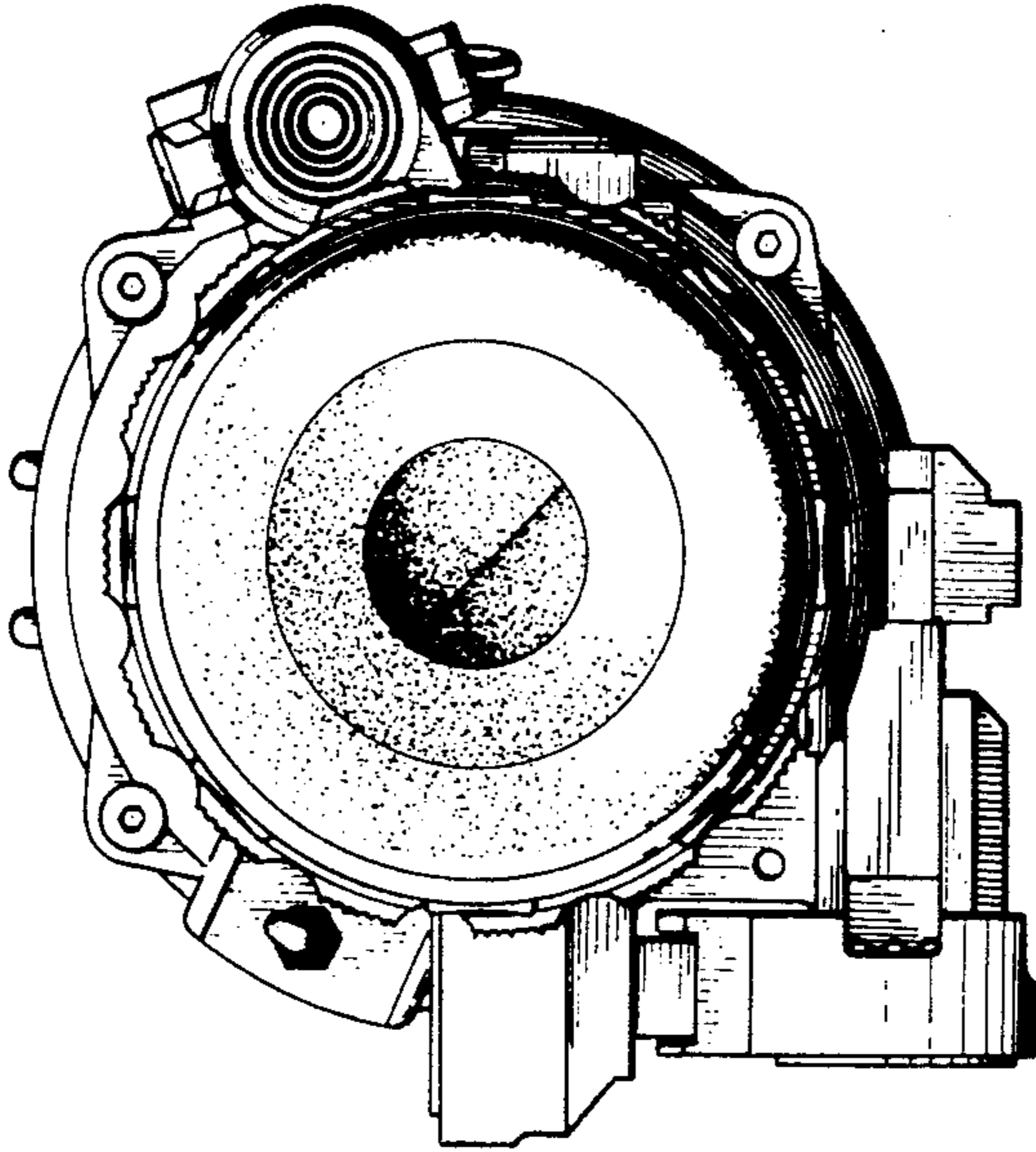


FIG. 6

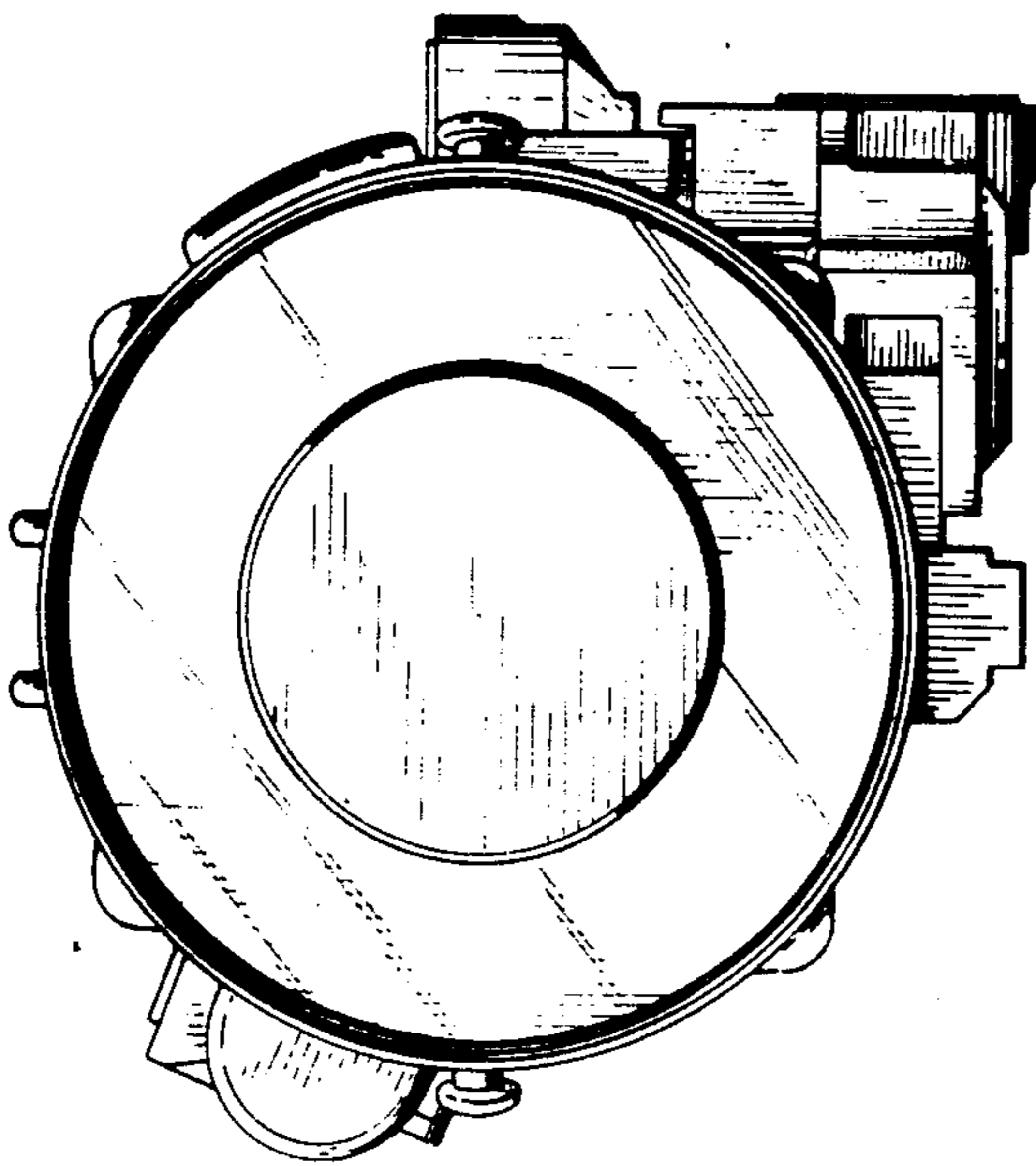


FIG. 5

FIG. 7

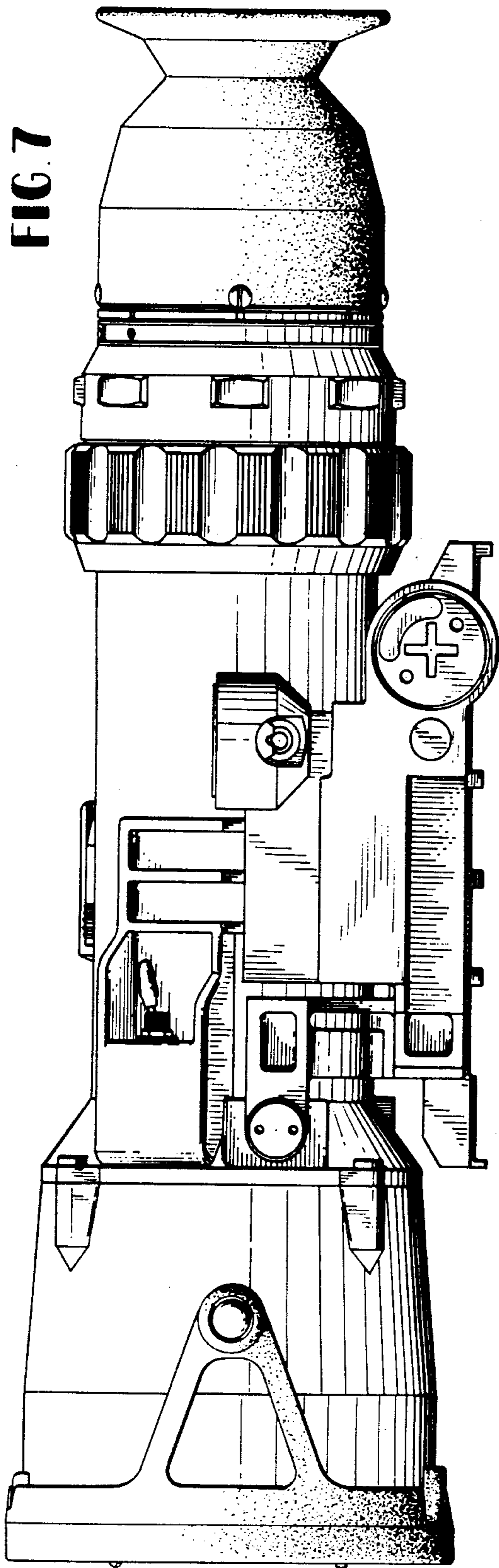
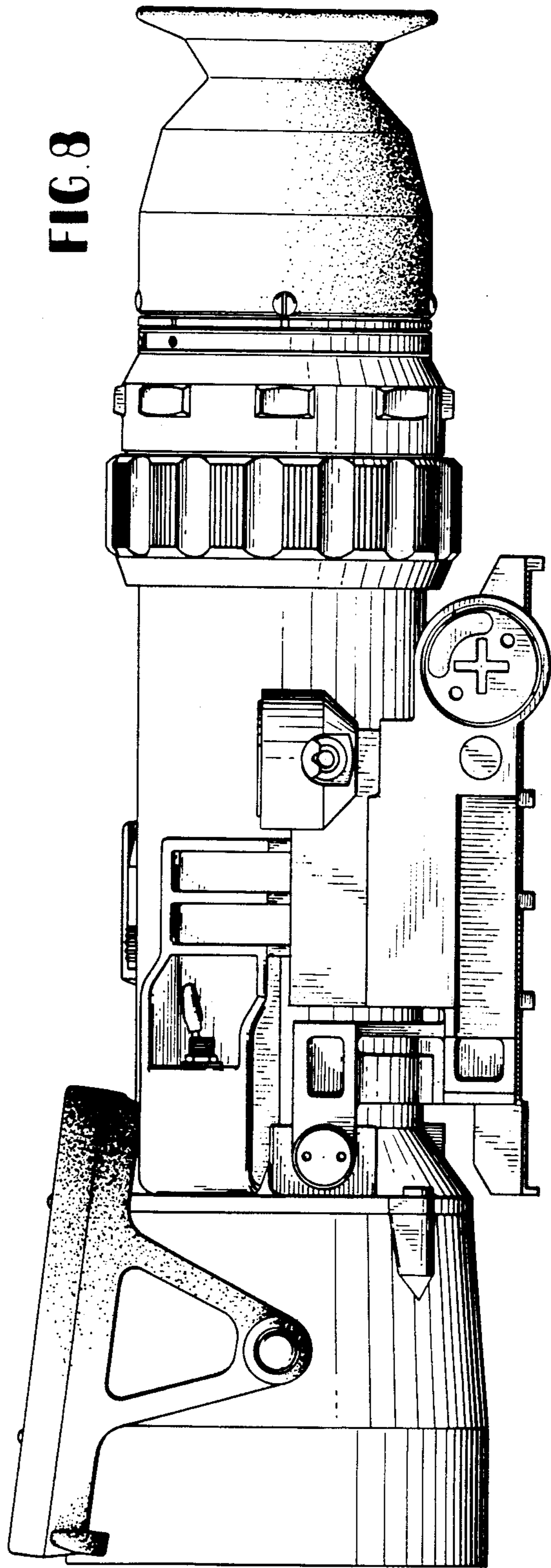


FIG. 8



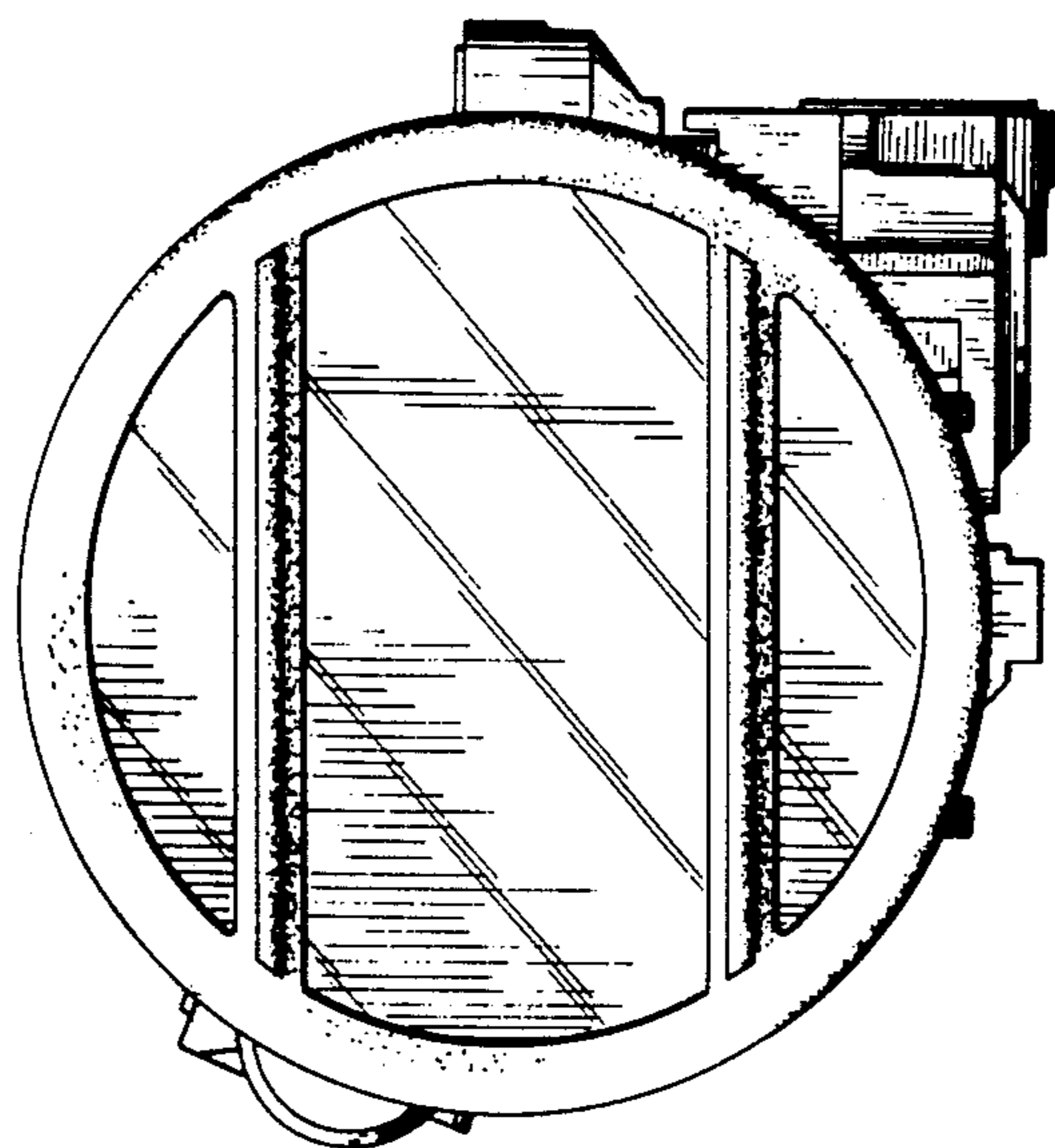


FIG. 9