

[54] INSULATOR FOR ELECTRIC HEATING ELEMENTS

[75] Inventors: Bruce C. Harris; Robert V. Ogradnik, both of Wytheville, Va.

[73] Assignee: Emerson Electric Co., St. Louis, Mo.

[\*\*] Term: 14 Years

[21] Appl. No.: 797,592

[22] Filed: May 16, 1977

[51] Int. Cl. .... D13-03

[52] U.S. Cl. .... D13/17

[58] Field of Search ..... D13/17, 18; 174/138 J; 219/532, 550; 338/213, 290, 317, 318, 319, 321

[56] References Cited

U.S. PATENT DOCUMENTS

D. 59,369	10/1921	Moffat	.....	D13/18
D. 59,370	10/1921	Moffat	.....	D13/18
D. 226,435	3/1973	Hackman	.....	D13/18
D. 248,641	7/1978	Thweatt, Jr.	.....	D13/17
D. 248,642	7/1978	Thweatt, Jr.	.....	D13/17
D. 248,643	7/1978	Thweatt, Jr.	.....	D13/17
D. 248,943	8/1978	King	.....	D13/18
1,935,163	11/1933	Parsons	.....	338/321
2,081,089	5/1937	Frese	.....	174/138 J X
3,860,788	1/1975	Staples	.....	174/138 J X

3,882,438 5/1975 Bourner ..... 219/532 X

Primary Examiner—James R. Largen  
Attorney, Agent, or Firm—Michael Williams

[57] CLAIM

The ornamental design for an insulator for electric heating elements, substantially as shown and described.

DESCRIPTION

FIG. 1 is a front elevational view of an insulator for electric heating elements, showing our new design;  
 FIG. 2 is a rear elevational view thereof;  
 FIG. 3 is a side elevational view thereof, the opposite side being a mirror image of the side shown;  
 FIG. 4 is a cross sectional view taken on line 4—4 of FIG. 2;  
 FIG. 5 is a cross sectional view taken on line 5—5 of FIG. 2;  
 FIG. 6 is a front elevational view of a modified form of the insulator for electric heating elements shown in FIG. 1;  
 FIG. 7 is a rear elevational view of FIG. 6;  
 FIG. 8 is a side elevational view of FIG. 6, the opposite side being a mirror image of the side shown;  
 FIG. 9 is a cross sectional view taken on line 9—9 of FIG. 7; and  
 FIG. 10 is a cross sectional view taken on line 10—10 of FIG. 7.

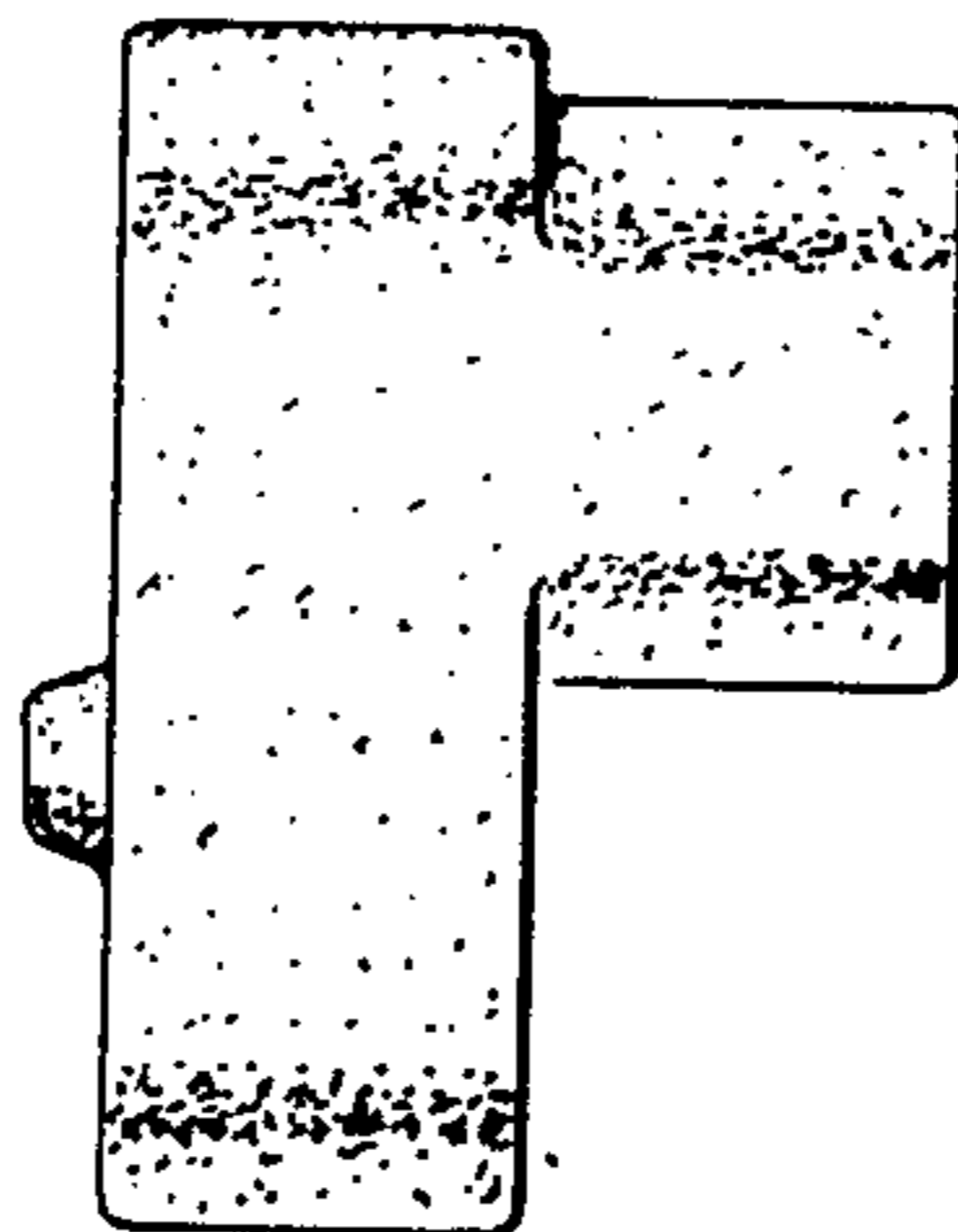
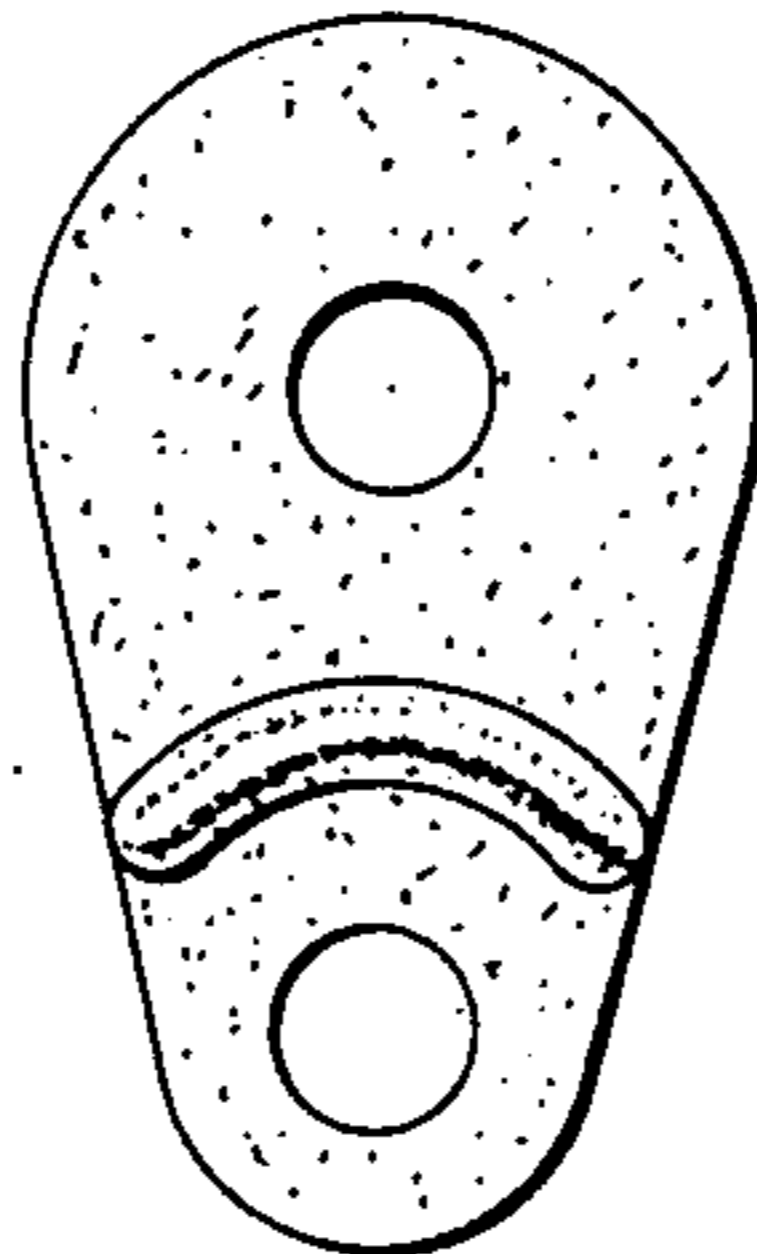


FIG. 1.

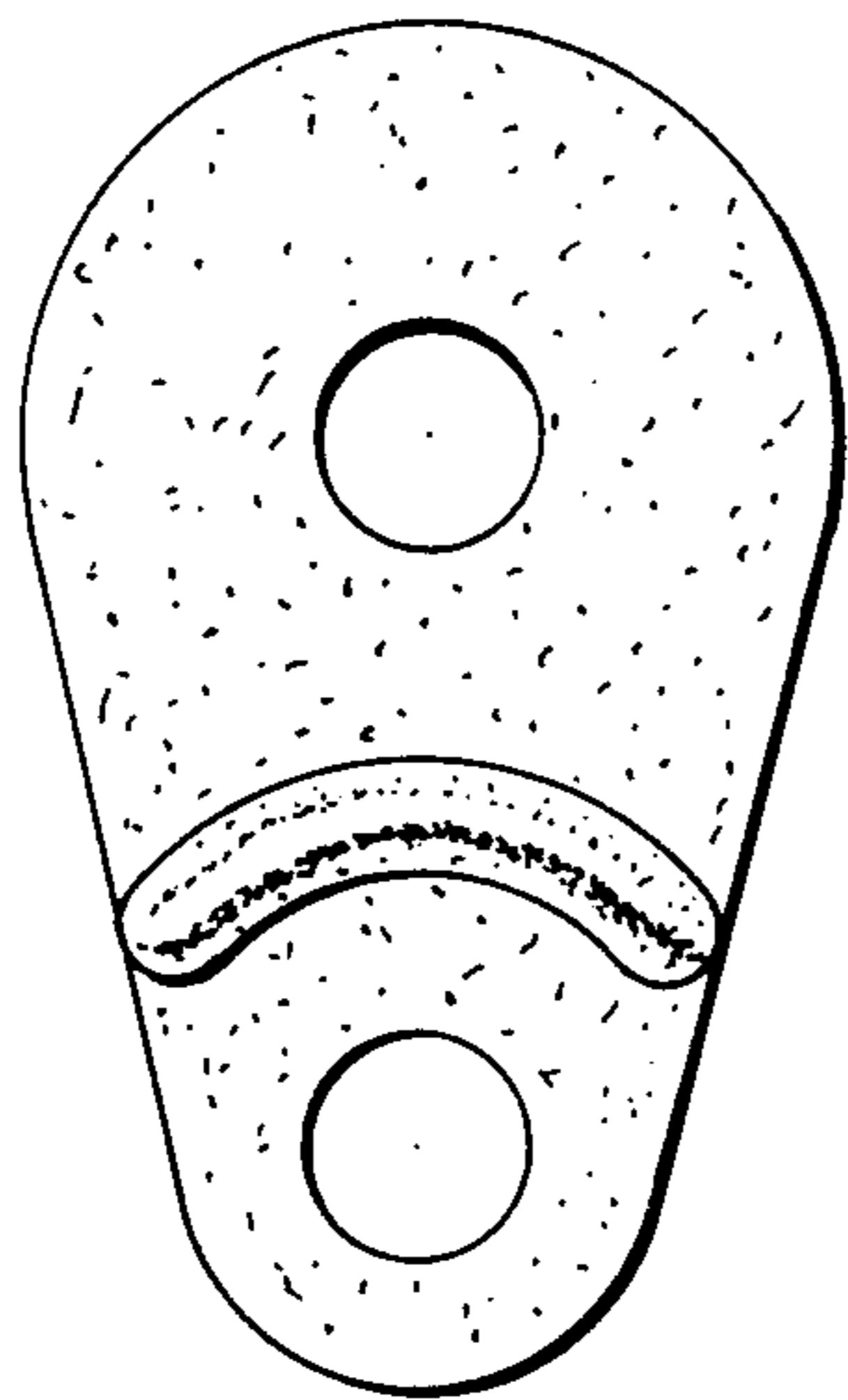


FIG. 2

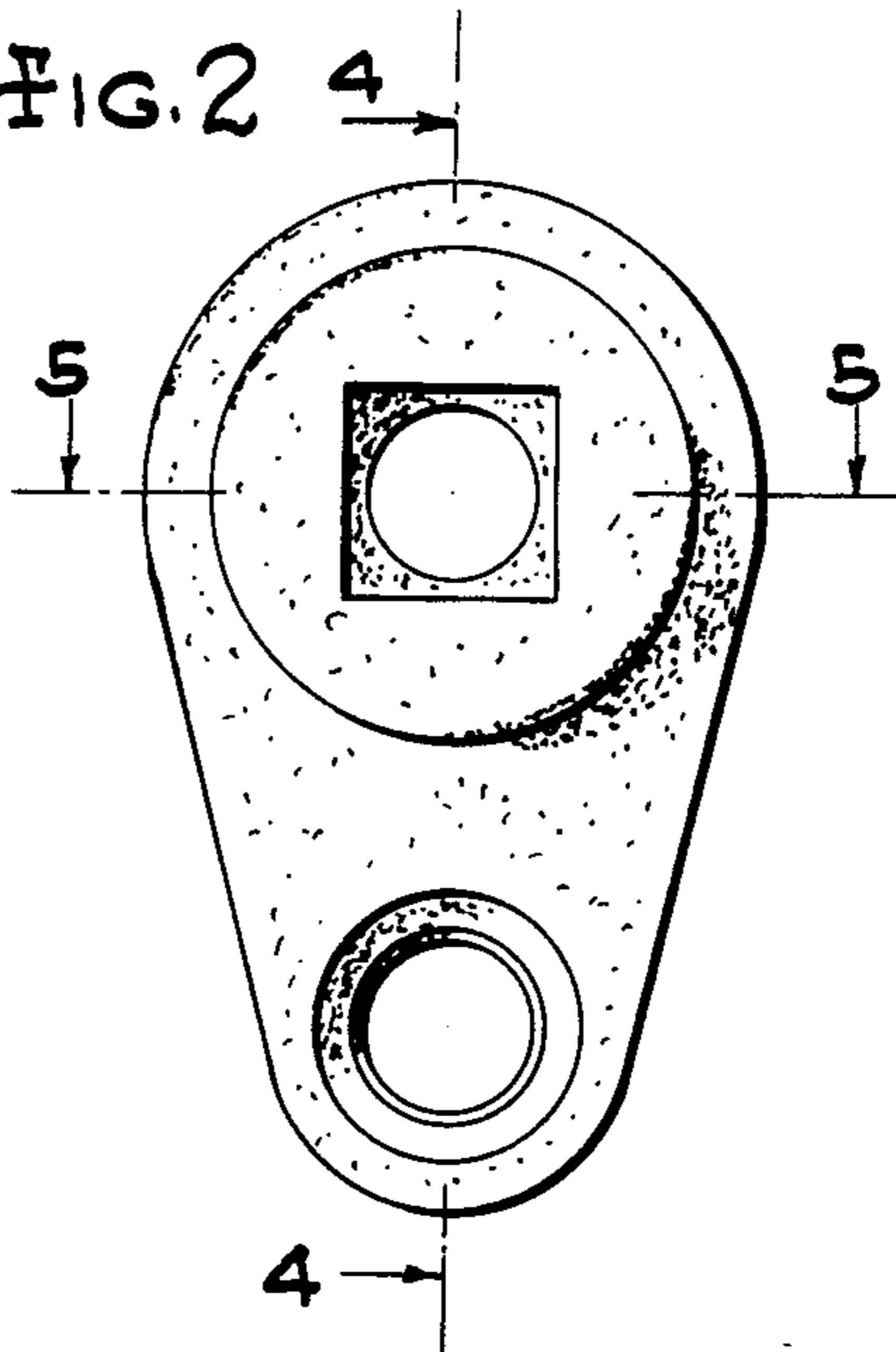


FIG. 3.

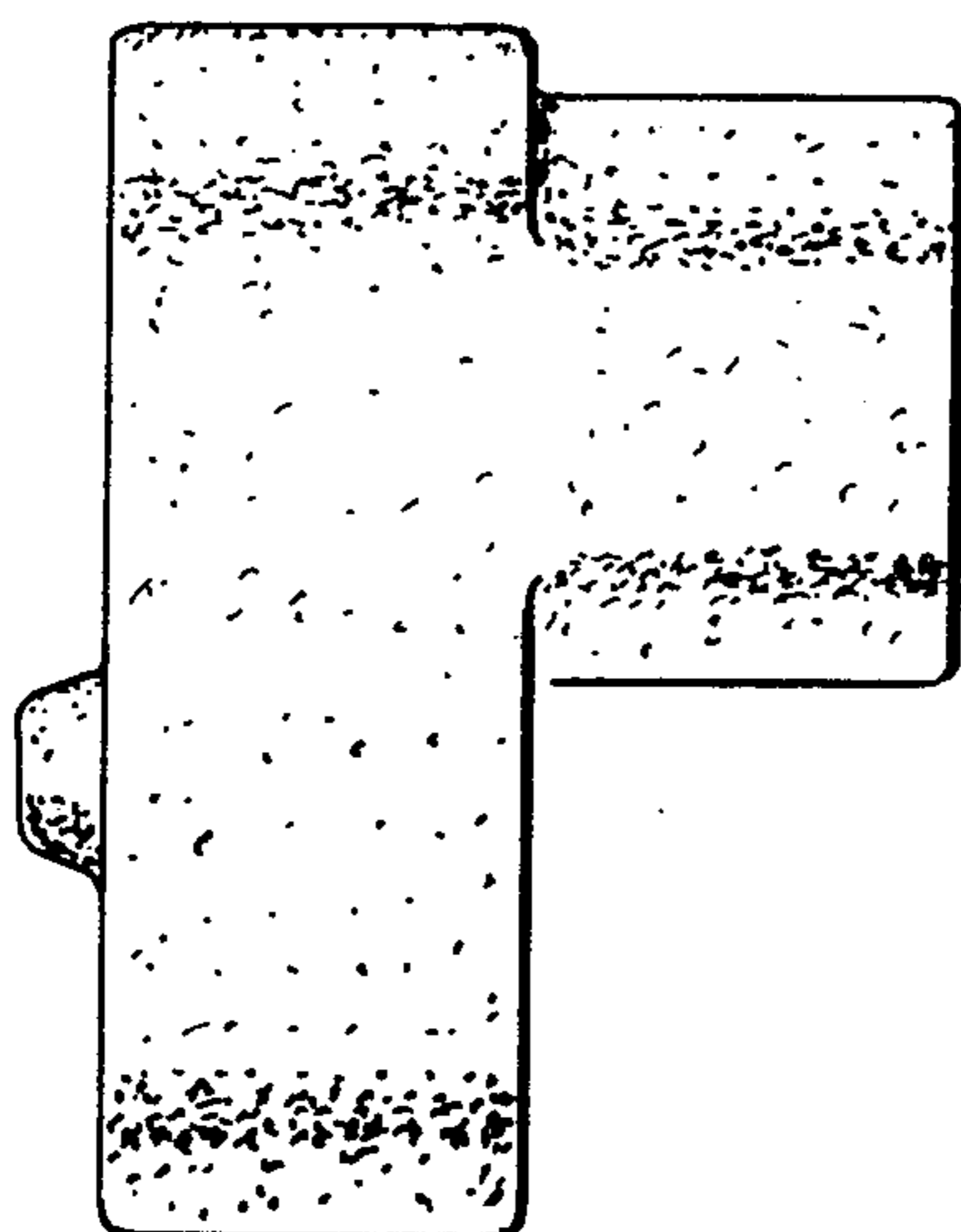


FIG. 4.

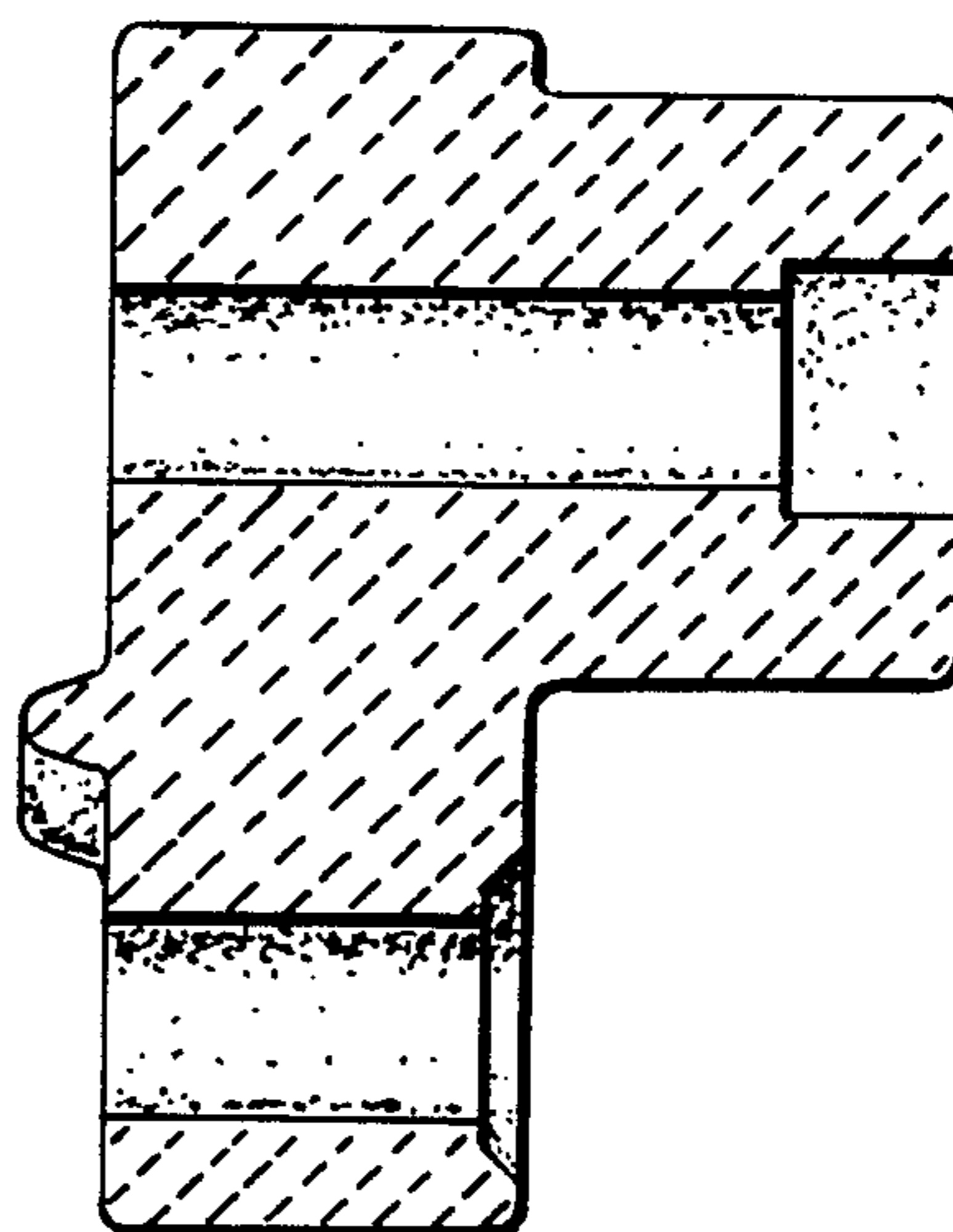


FIG. 5.

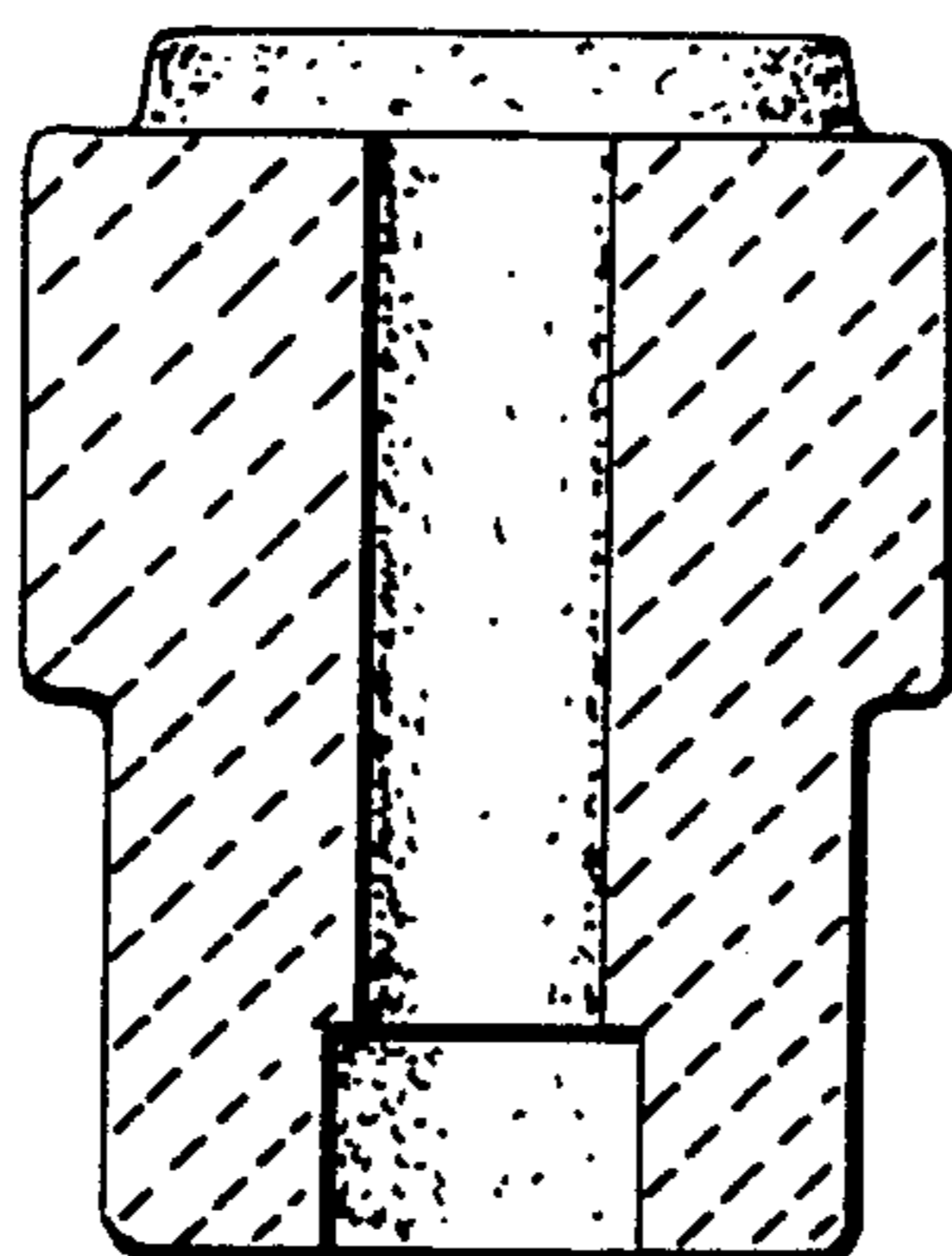


FIG. 6.

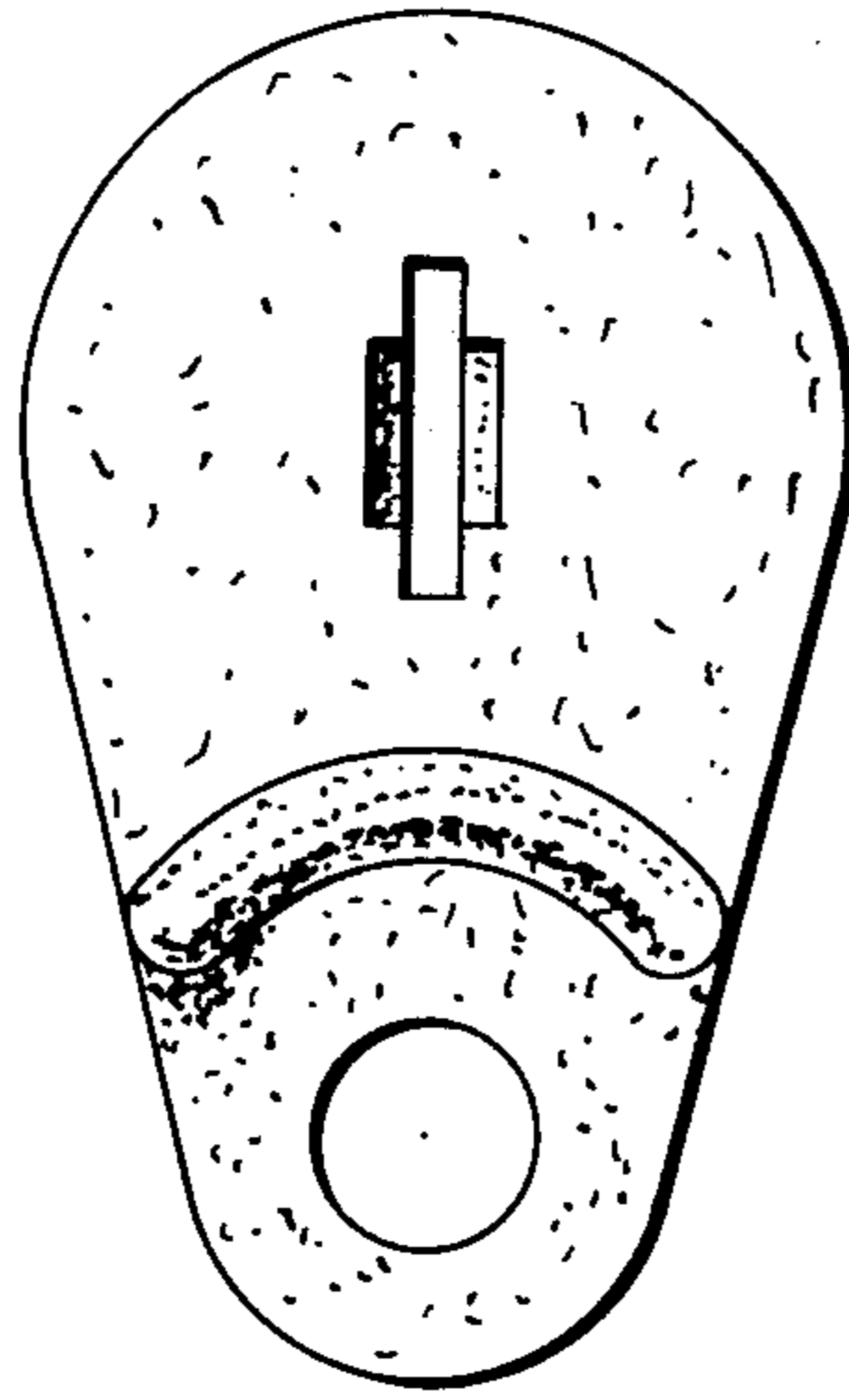


FIG. 7.

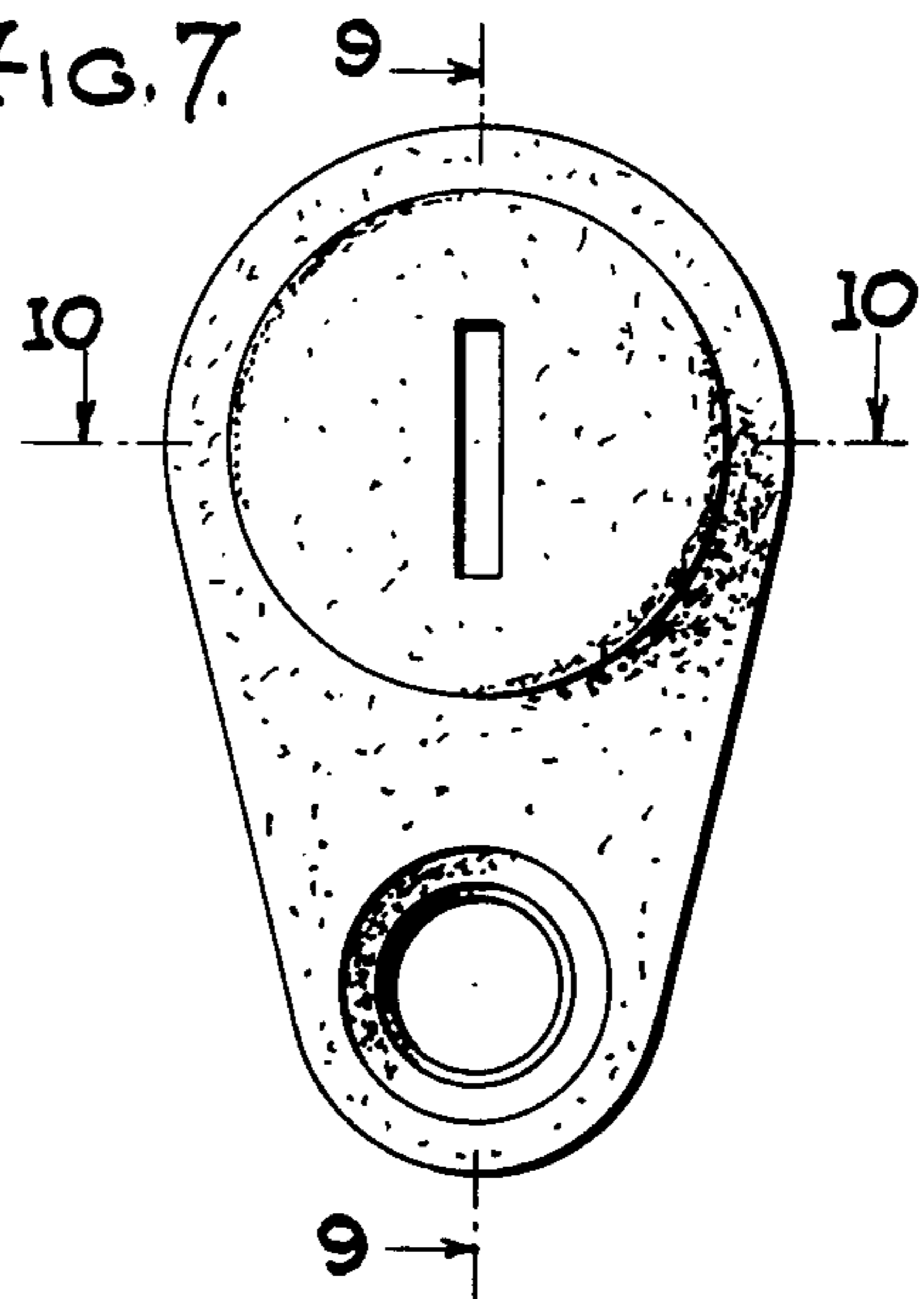


FIG. 8.

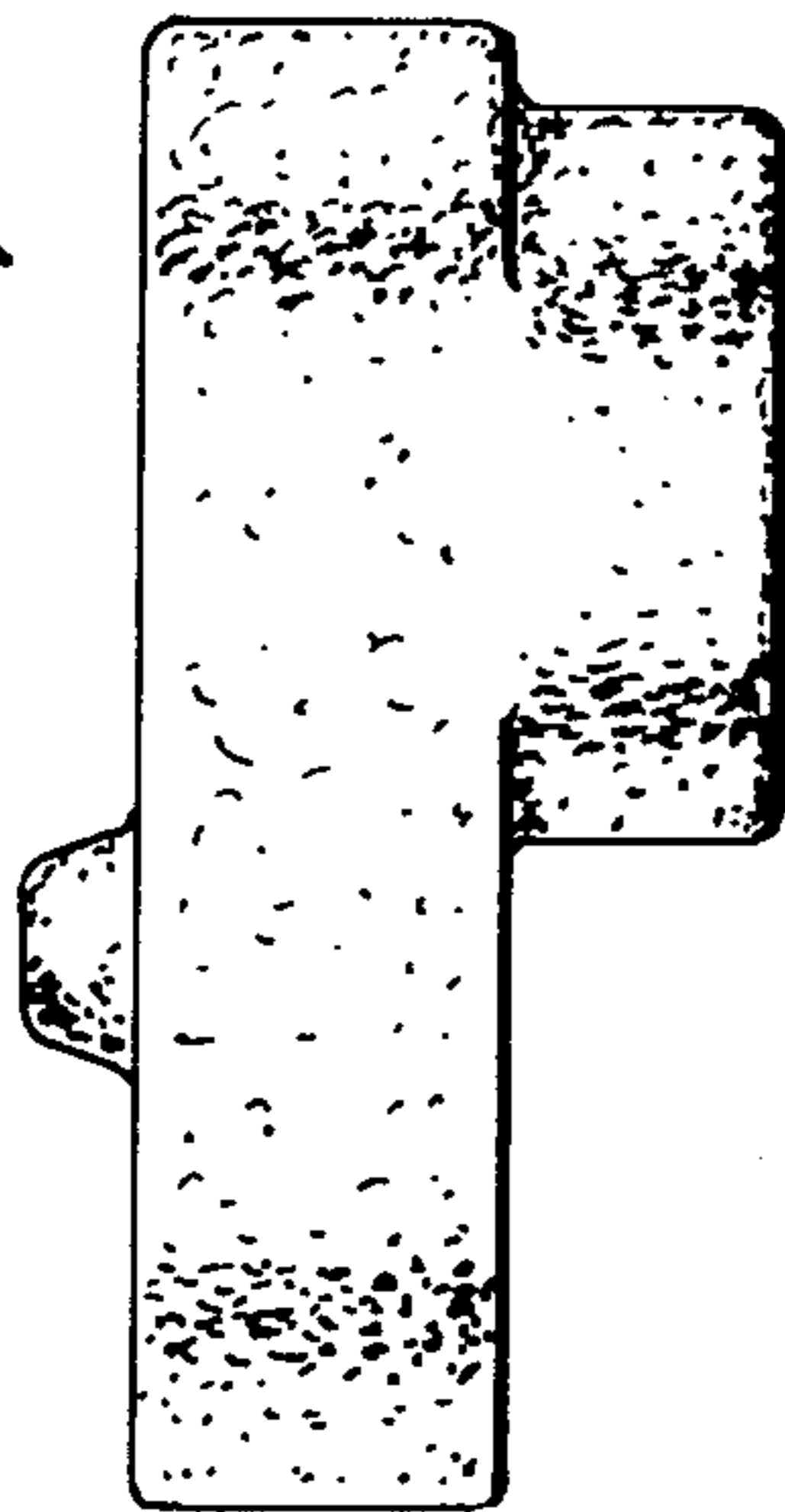


FIG. 9.

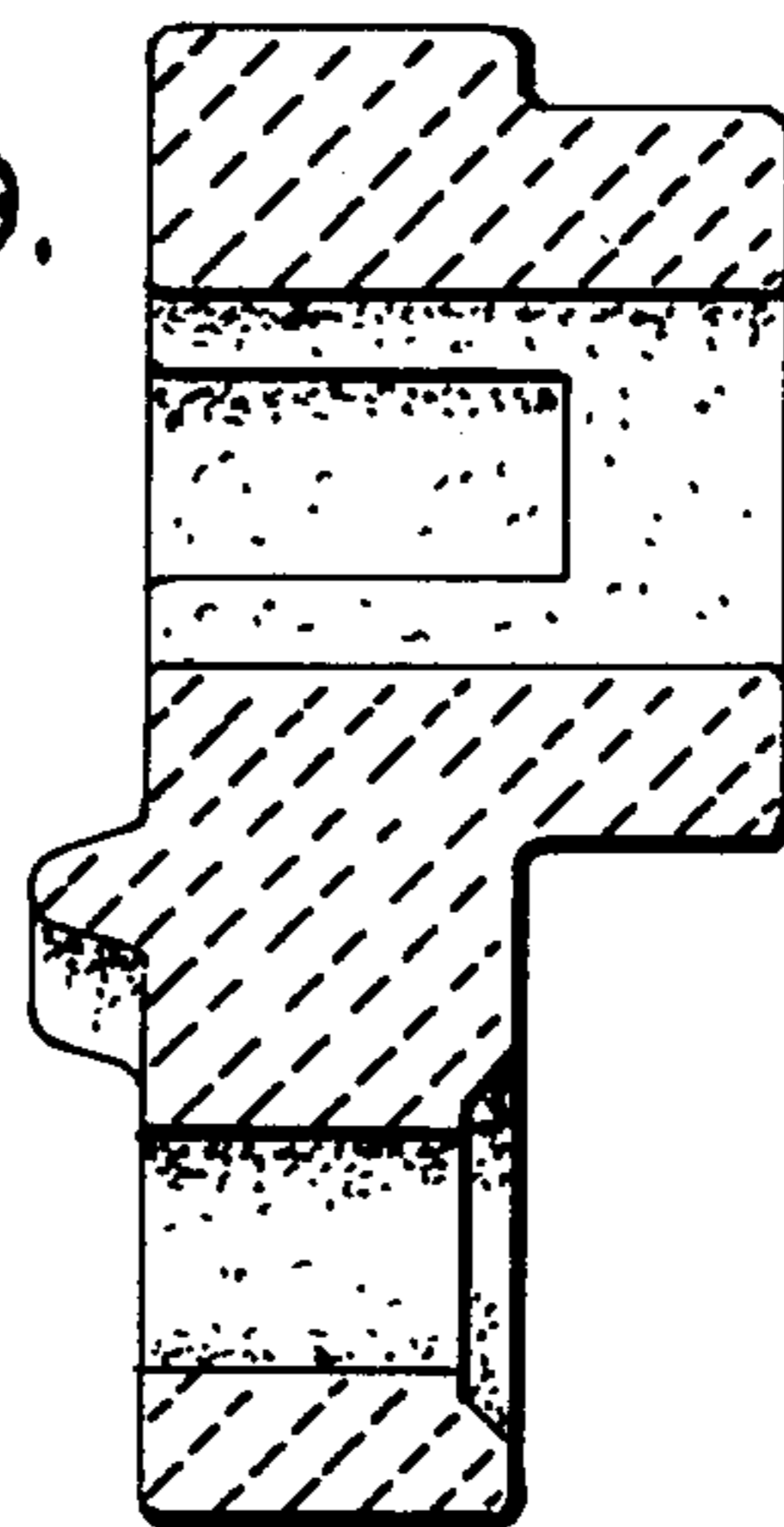


FIG. 10.

