

[54] TIE-DOWN BRACKET

[76] Inventor: Charles E. Ingram, 13703 Hendrick, Warren, Mich. 48089

[**] Term: 14 Years

[21] Appl. No.: 837,598

[22] Filed: Sep. 29, 1977

[51] Int. Cl. D8-08

[52] U.S. Cl. D8/382; D8/356; D8/383

[58] Field of Search 248/499; 24/265 CD; D8/354, 356, 382, 383, 394, 370, 367, 373

[56] References Cited

U.S. PATENT DOCUMENTS

- D. 224,082 7/1972 Kolstee, Sr. D8/382
- D. 228,877 10/1973 Hirt D8/373 X
- 4,118,833 10/1978 Knox et al. 248/499 X

Primary Examiner—A. Hugo Word

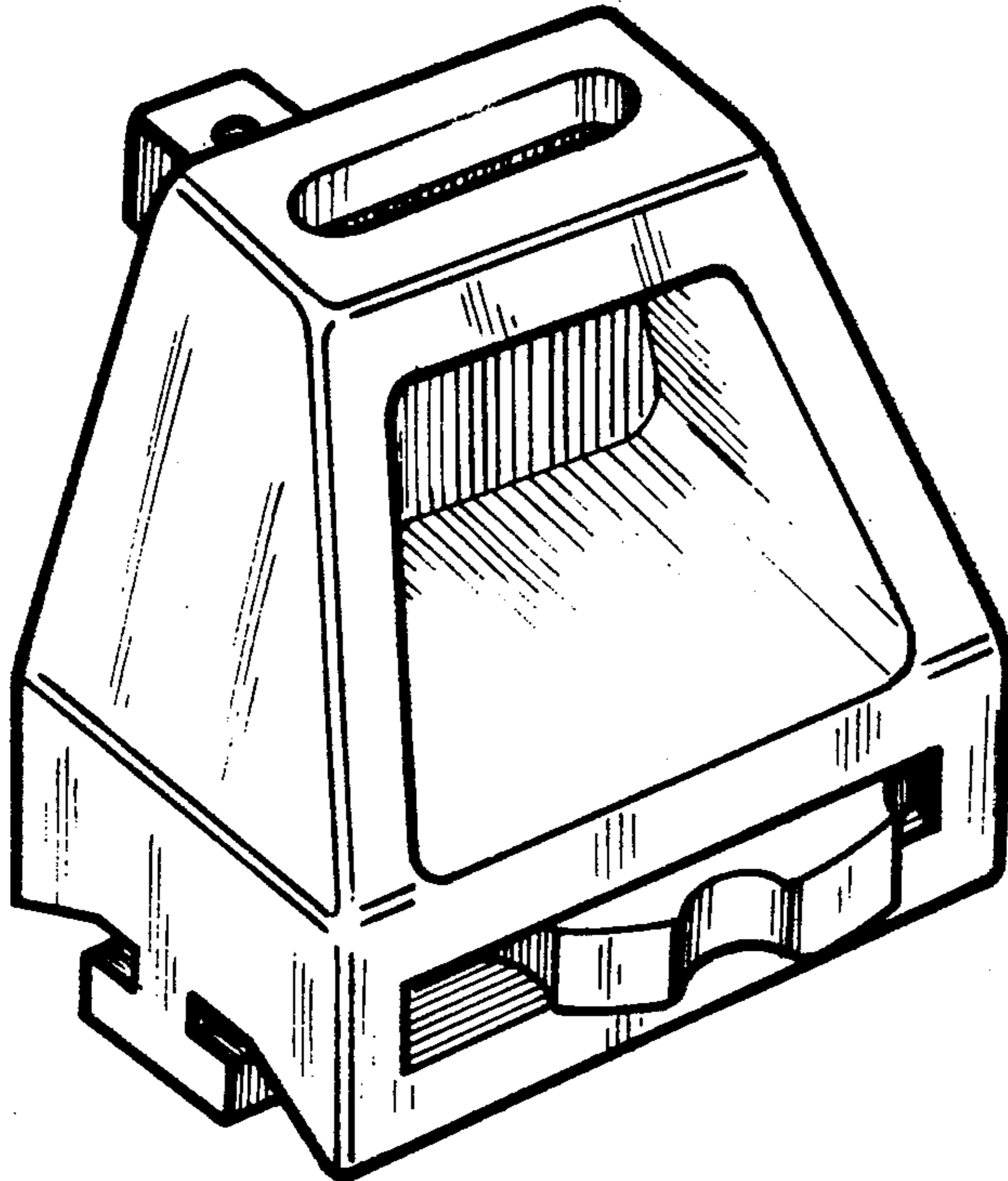
Attorney, Agent, or Firm—Arnold S. Weintraub

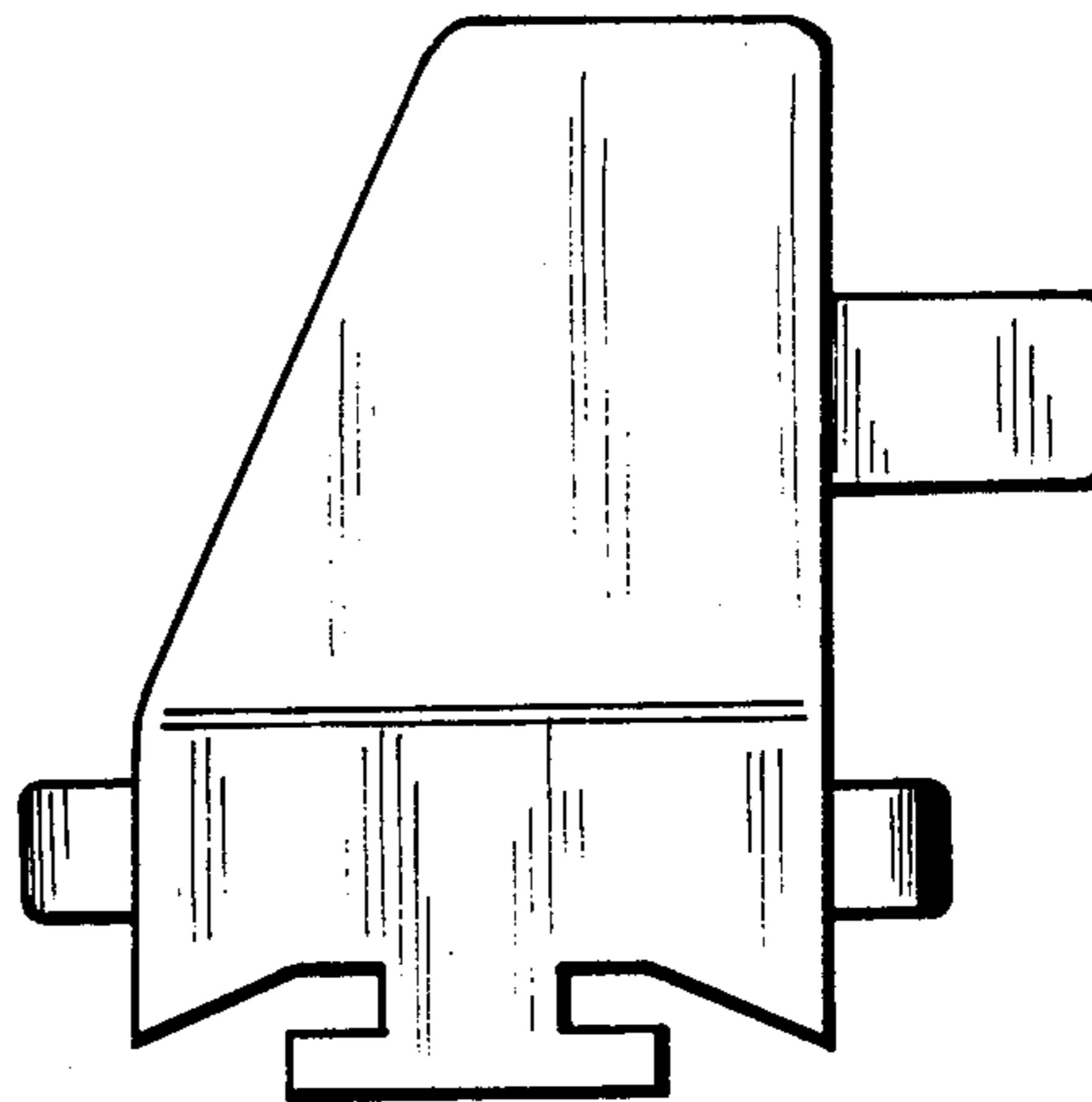
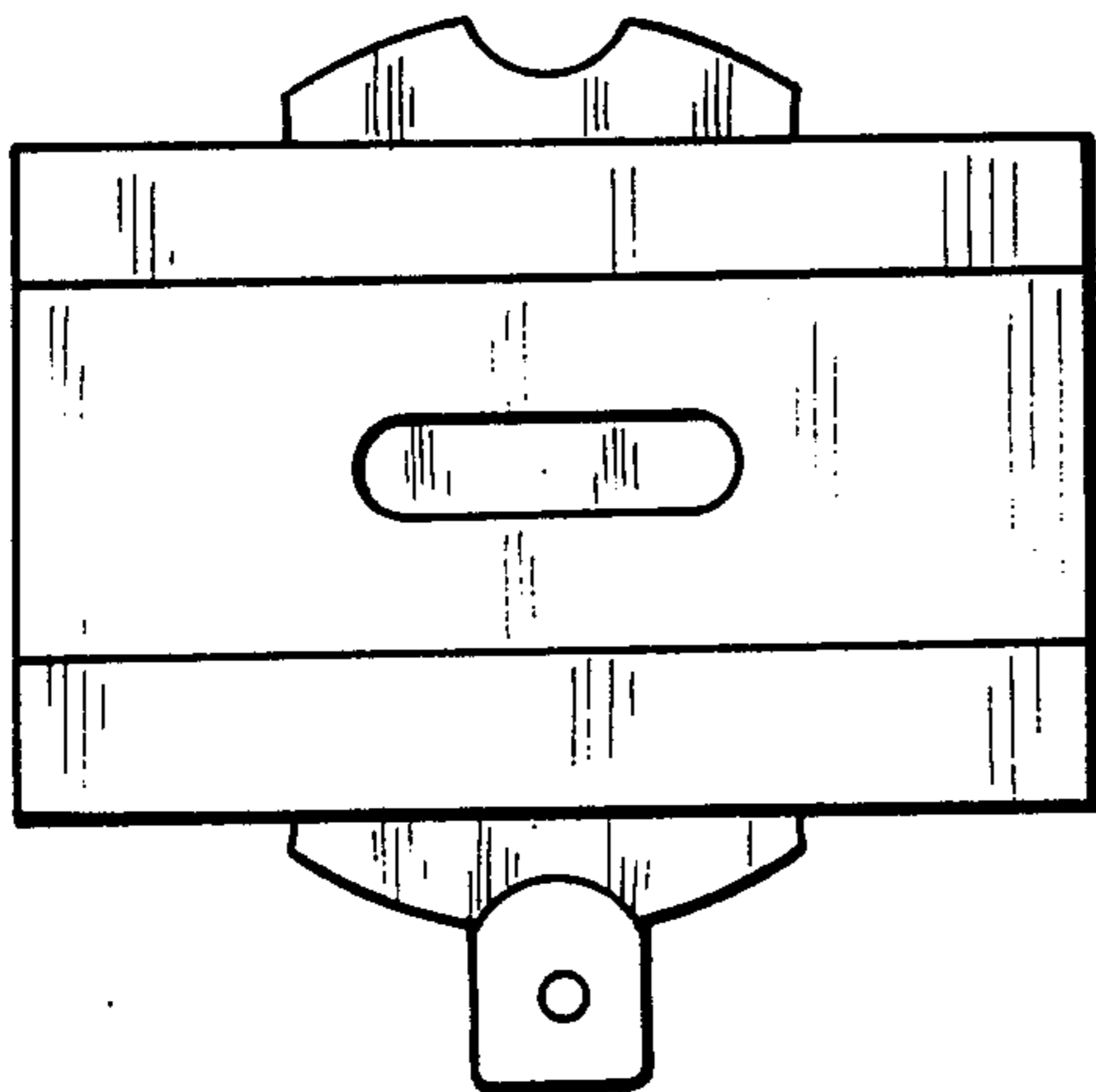
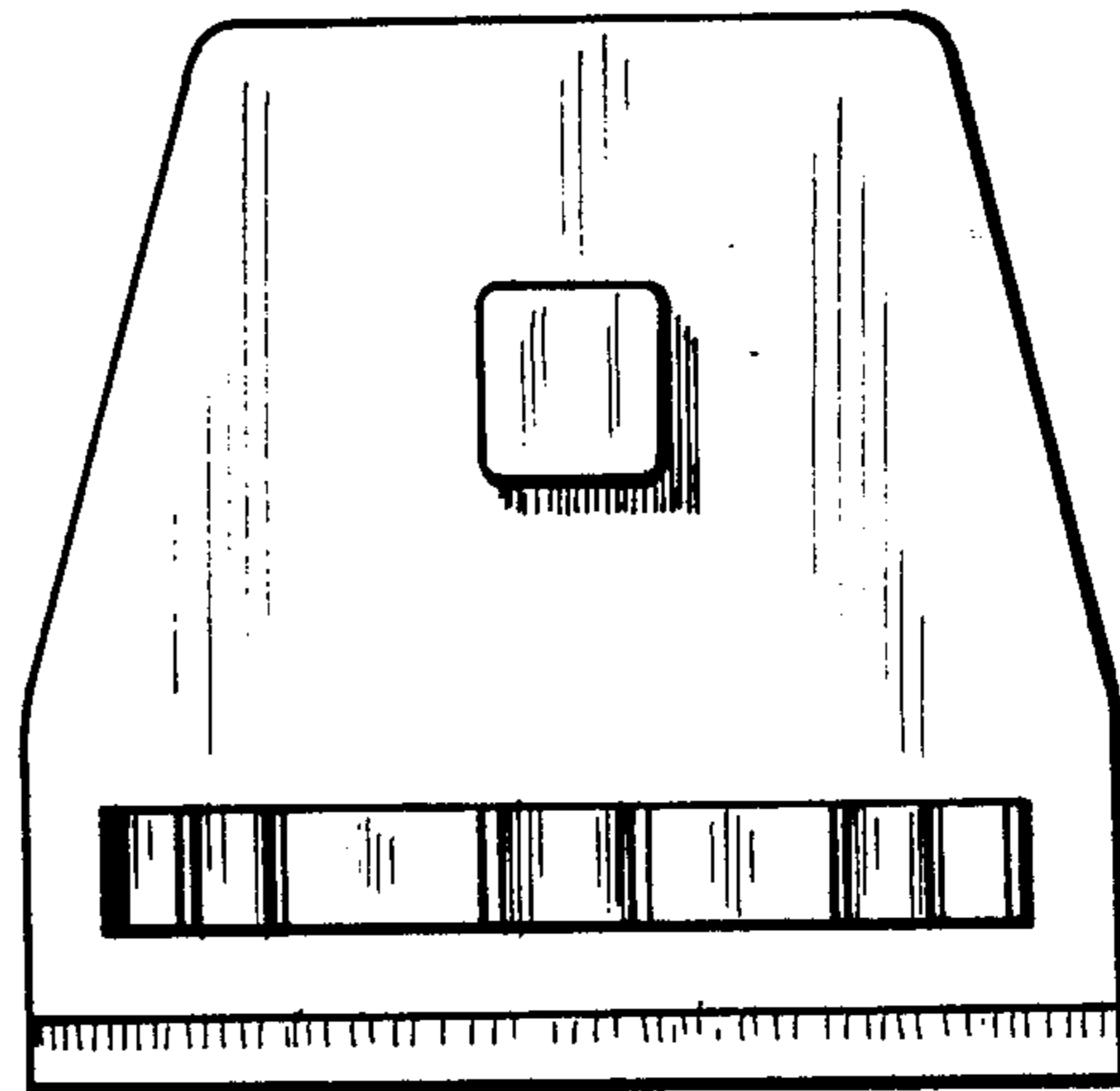
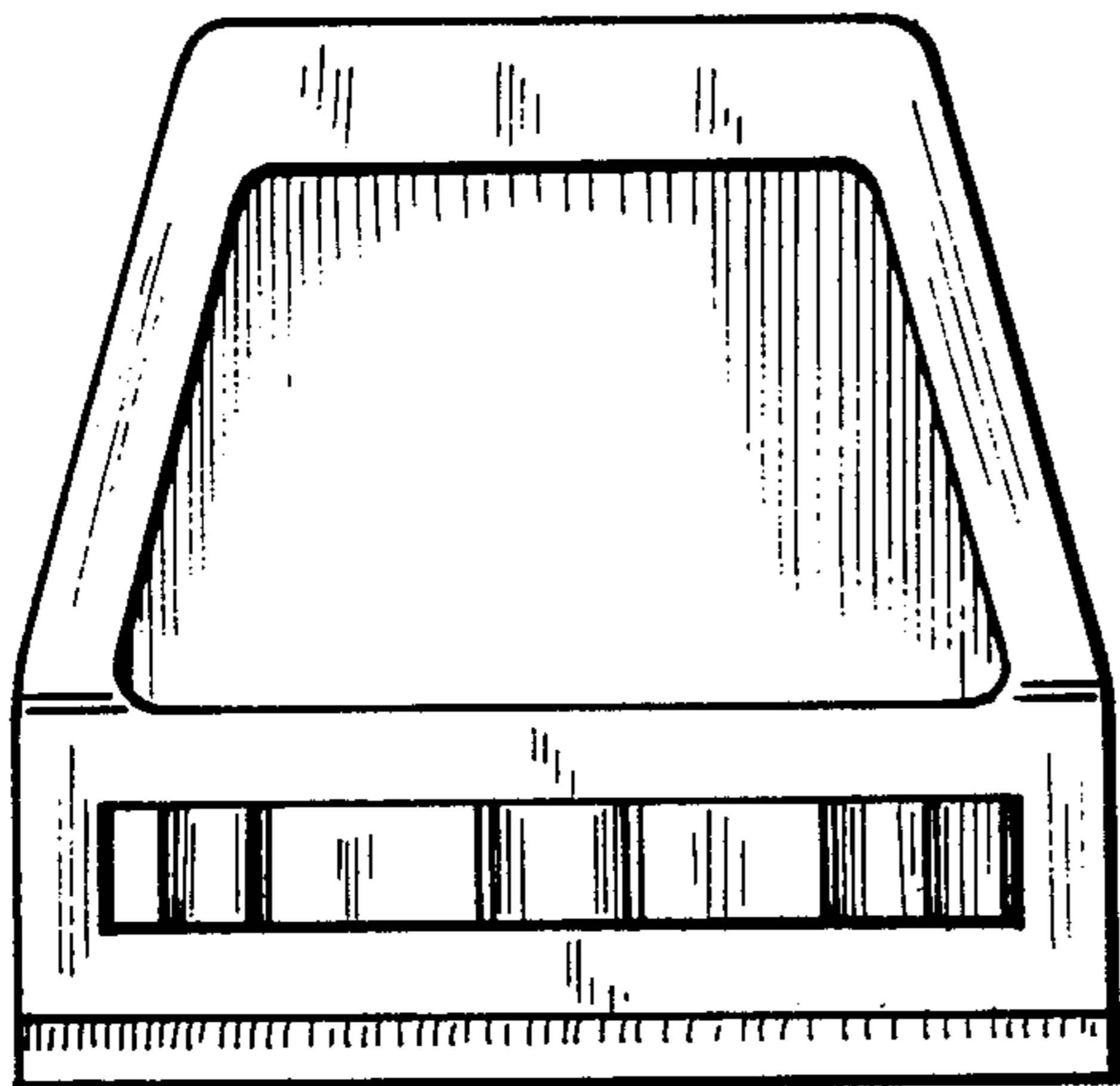
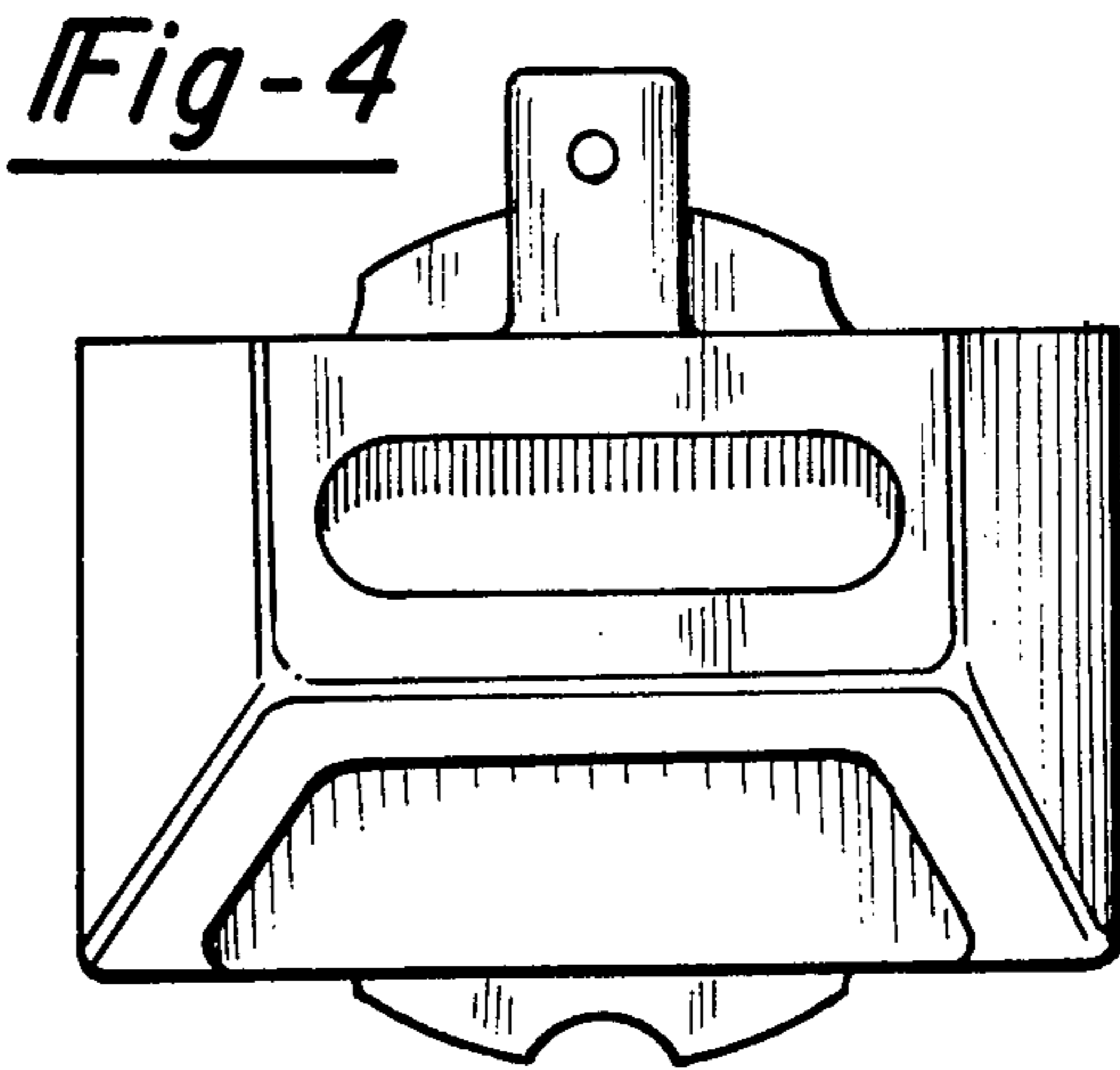
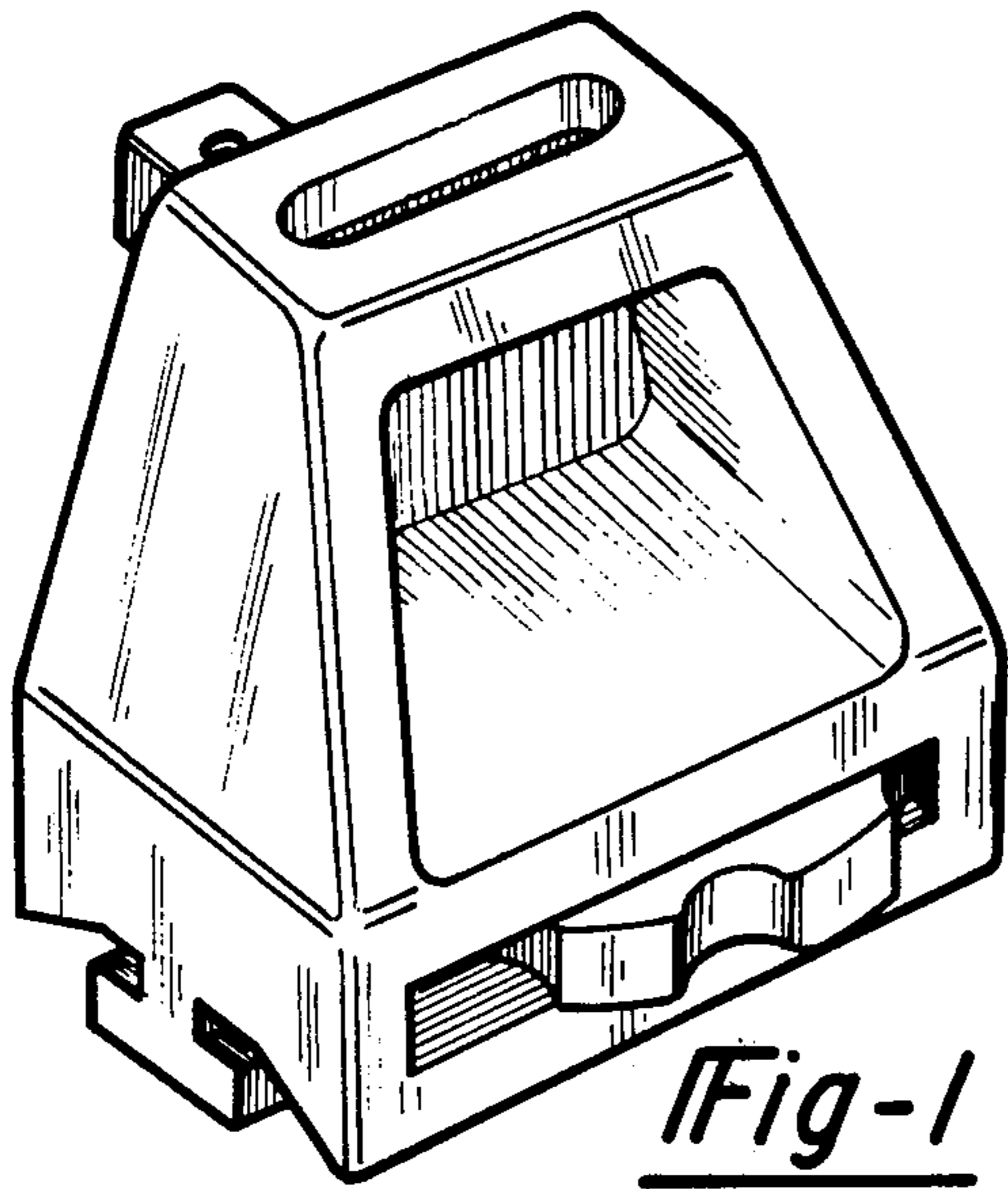
[57] CLAIM

The ornamental design for a tie-down bracket, as shown and described.

DESCRIPTION

FIG. 1 is a perspective view of a first embodiment of a tie-down bracket showing my new design;
 FIG. 2 is a first end elevational view thereof;
 FIG. 3 is a bottom plan view thereof;
 FIG. 4 is a top plan view thereof;
 FIG. 5 is a second end elevational view thereof as seen from the end opposite of that of FIG. 2;
 FIG. 6 is a side elevational view thereof;
 FIG. 7 is a perspective view of a second embodiment of a tie-down bracket showing my new design;
 FIG. 8 is a top plan view thereof;
 FIG. 9 is a first end elevational view thereof;
 FIG. 10 is a first side elevational view thereof;
 FIG. 11 is a second end elevational view as seen from the end opposite of that of FIG. 9, and
 FIG. 12 is a bottom plan view thereof.





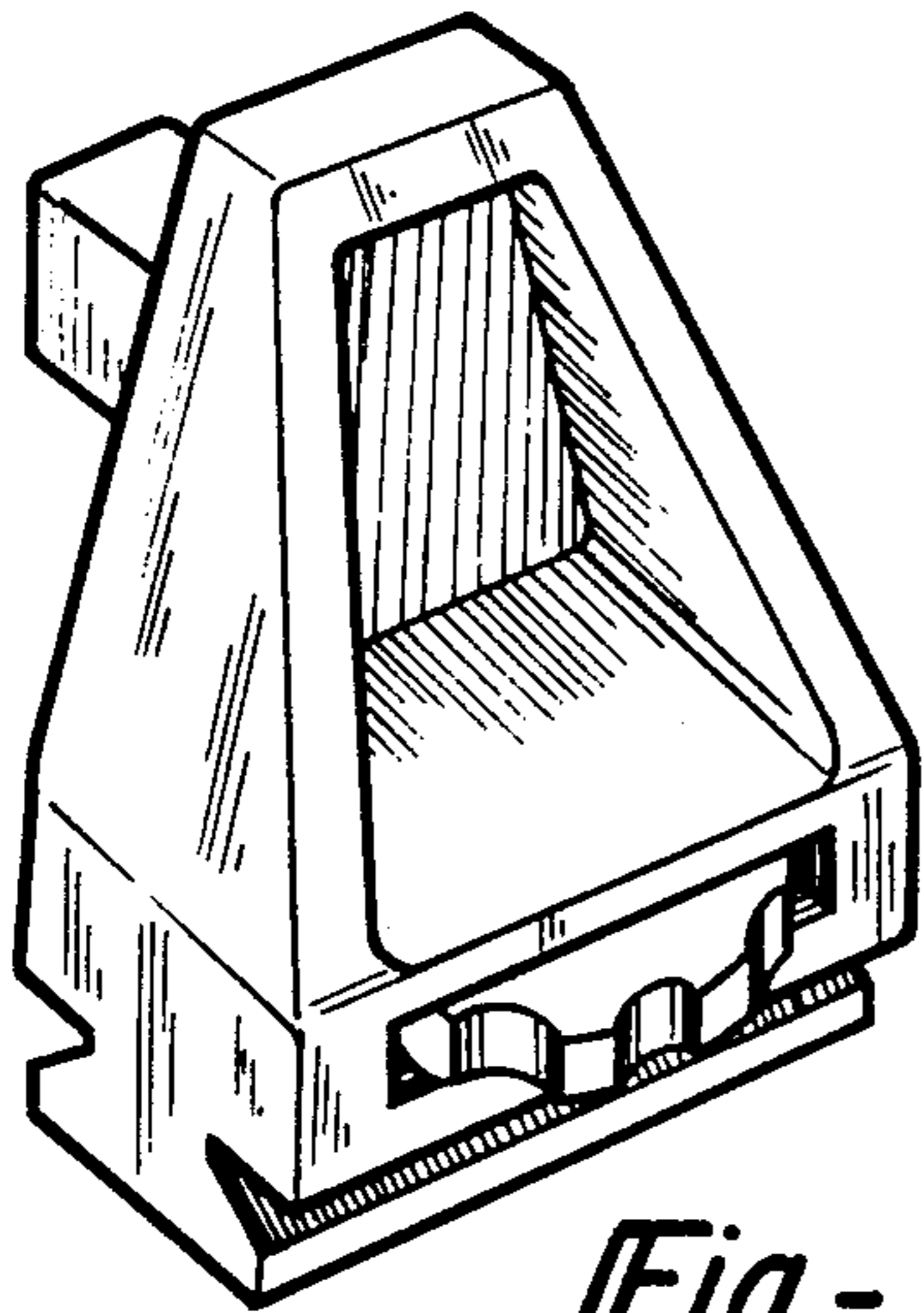


Fig-7

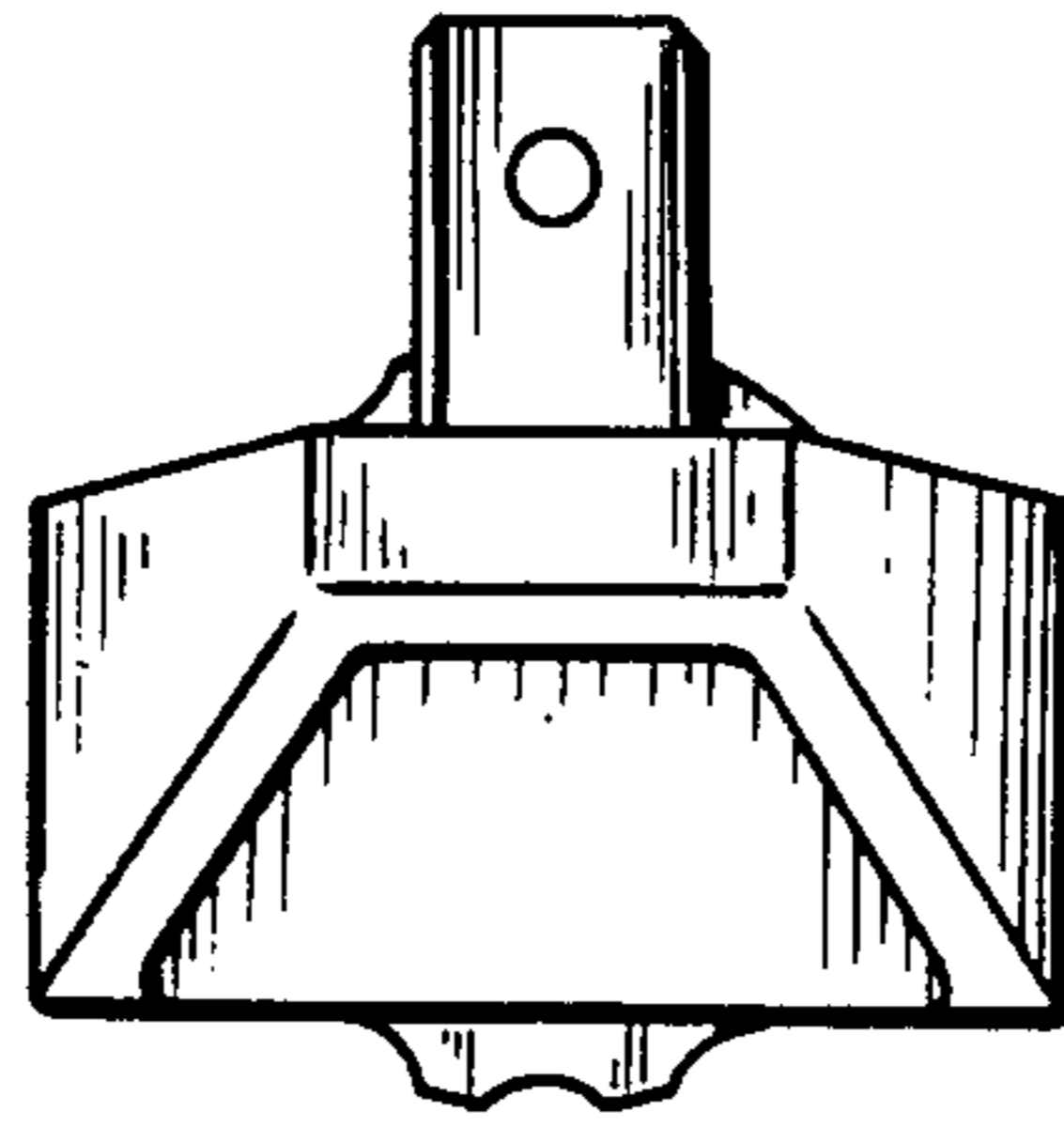


Fig-8

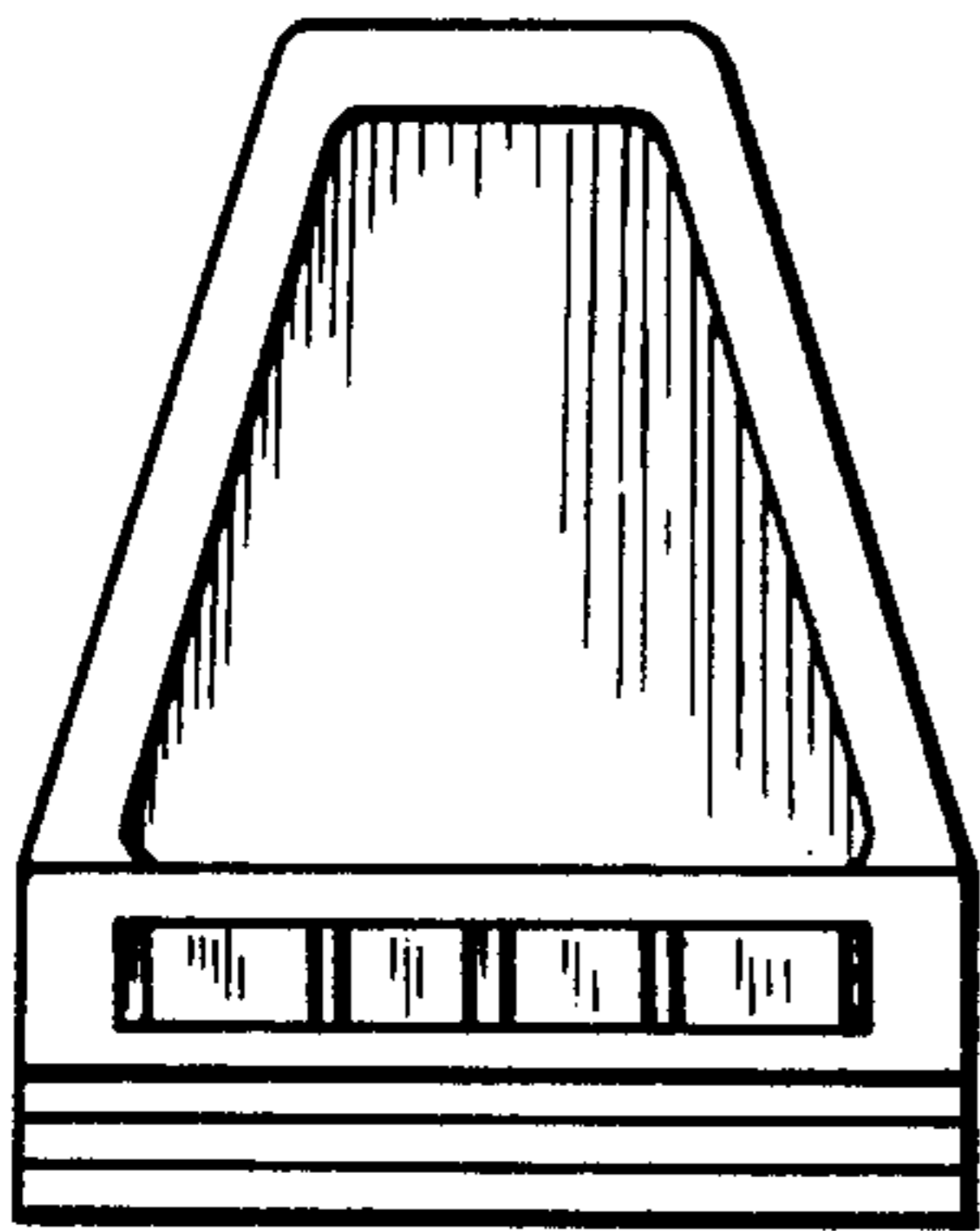


Fig-9

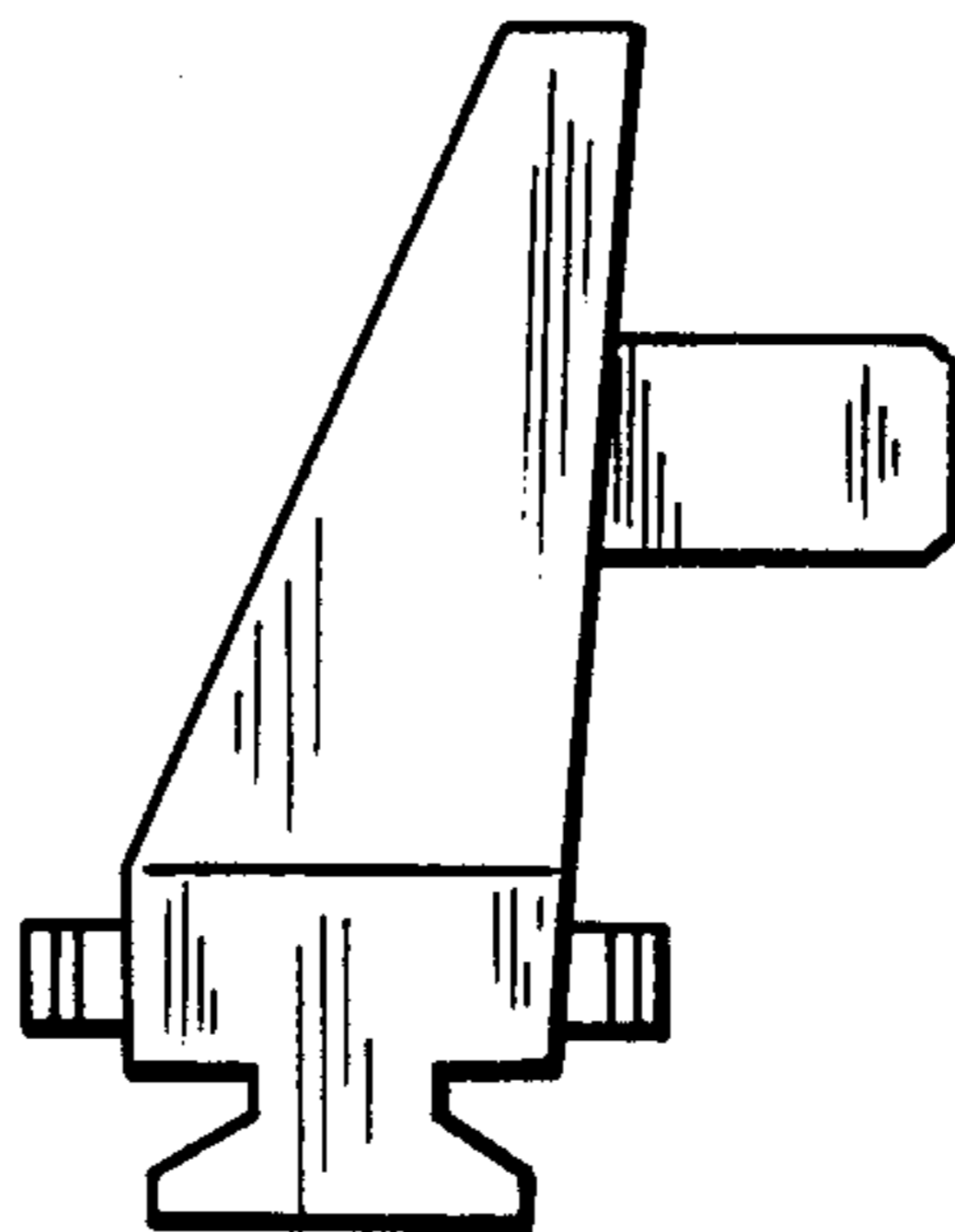


Fig-10

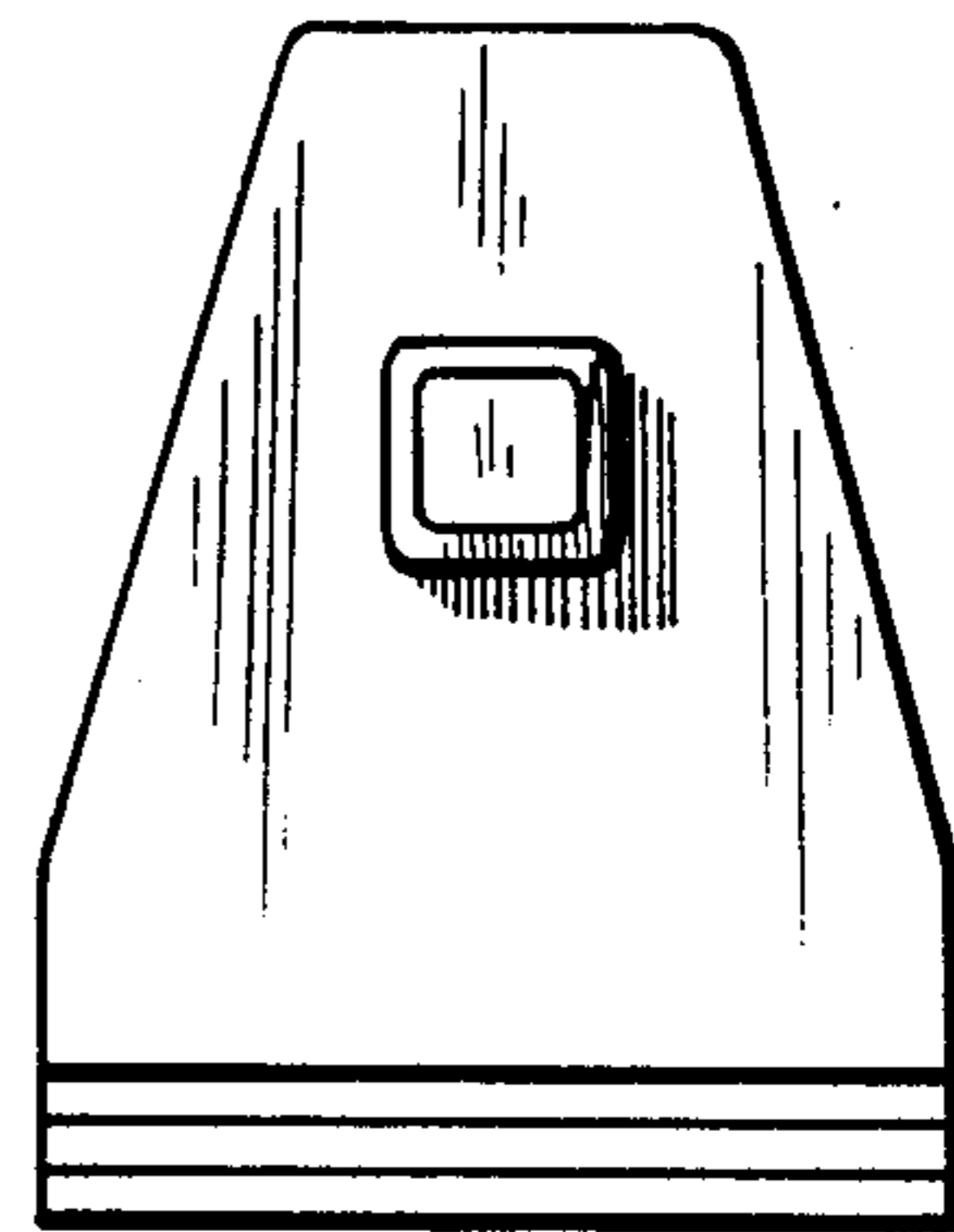


Fig-11

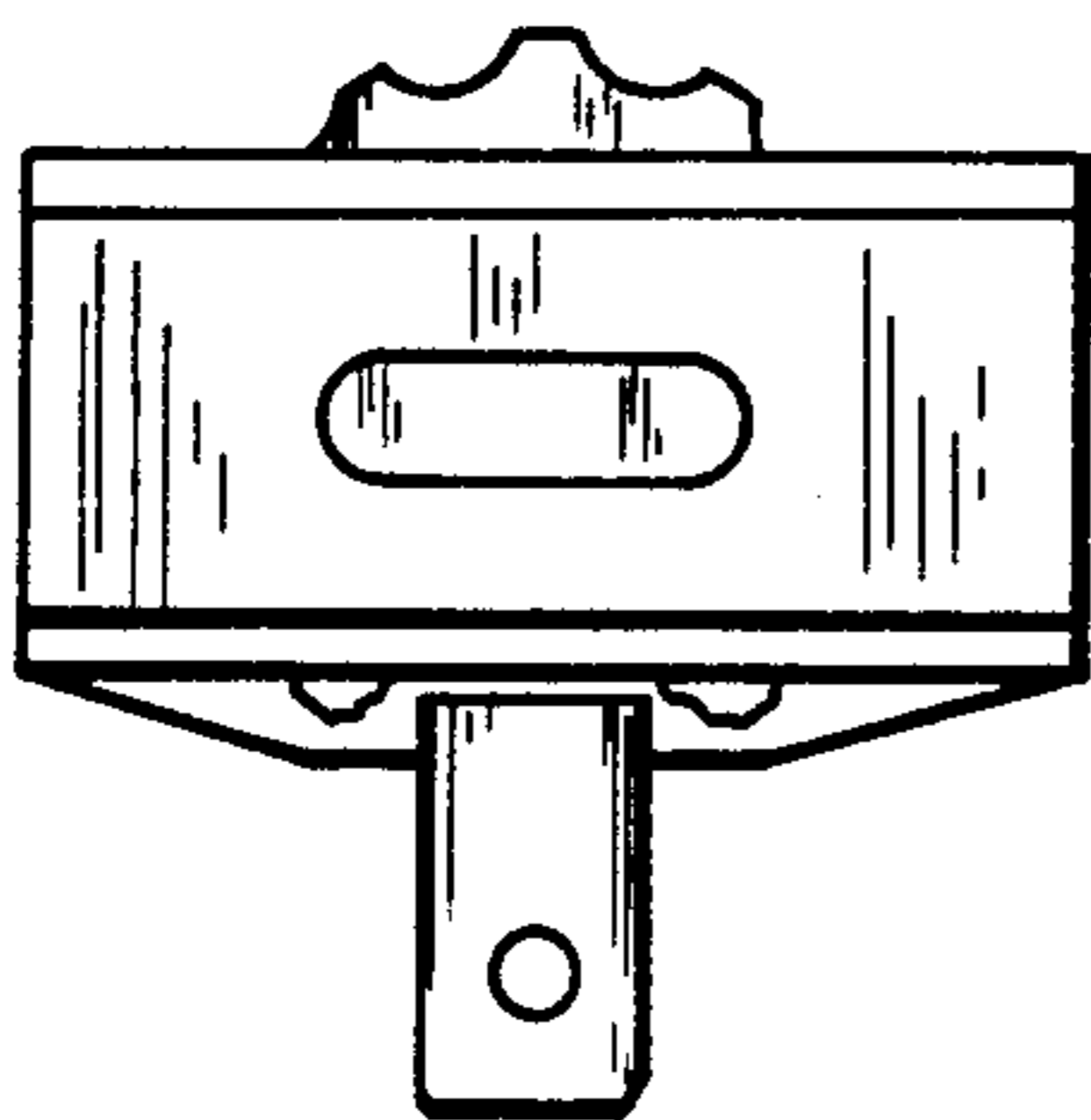


Fig-12