

[54] CASTER FRAME

[75] Inventor: Ward R. Goff, Kalamazoo, Mich.

[73] Assignee: Goff Products Corporation

[\*\*] Term: 14 Years

[21] Appl. No.: 904,003

[22] Filed: May 8, 1978

[51] Int. Cl. .... D8-08; D8-09

[52] U.S. Cl. .... D8/375

[58] Field of Search ..... 16/31 R, 31 A; D8/375, D8/374

[56] References Cited

U.S. PATENT DOCUMENTS

D. 229,609	12/1973	Tacke .....	D8/375
D. 241,513	9/1976	Fontana .....	D8/375
1,969,557	8/1934	Herold .....	16/31 R
4,068,343	1/1978	Timmer .....	16/31 R

Primary Examiner—A. Hugo Word  
Attorney, Agent, or Firm—Gordon W. Hueschen

[57] CLAIM

The ornamental design for a caster frame, as shown.

DESCRIPTION

FIG. 1 is a right side view of a caster frame embodying my new design.

FIG. 2 is a front view of a caster frame embodying my new design.

FIG. 3 is a top view of a caster frame embodying my new design.

FIG. 4 is a left side view of a caster frame embodying my new design.

FIG. 5 is a rear view of a caster frame embodying my new design.

FIG. 6 is a bottom view of a caster frame embodying my new design.

FIG. 7 is a right side view of a modified form of the caster frame shown in FIGS. 1-6.

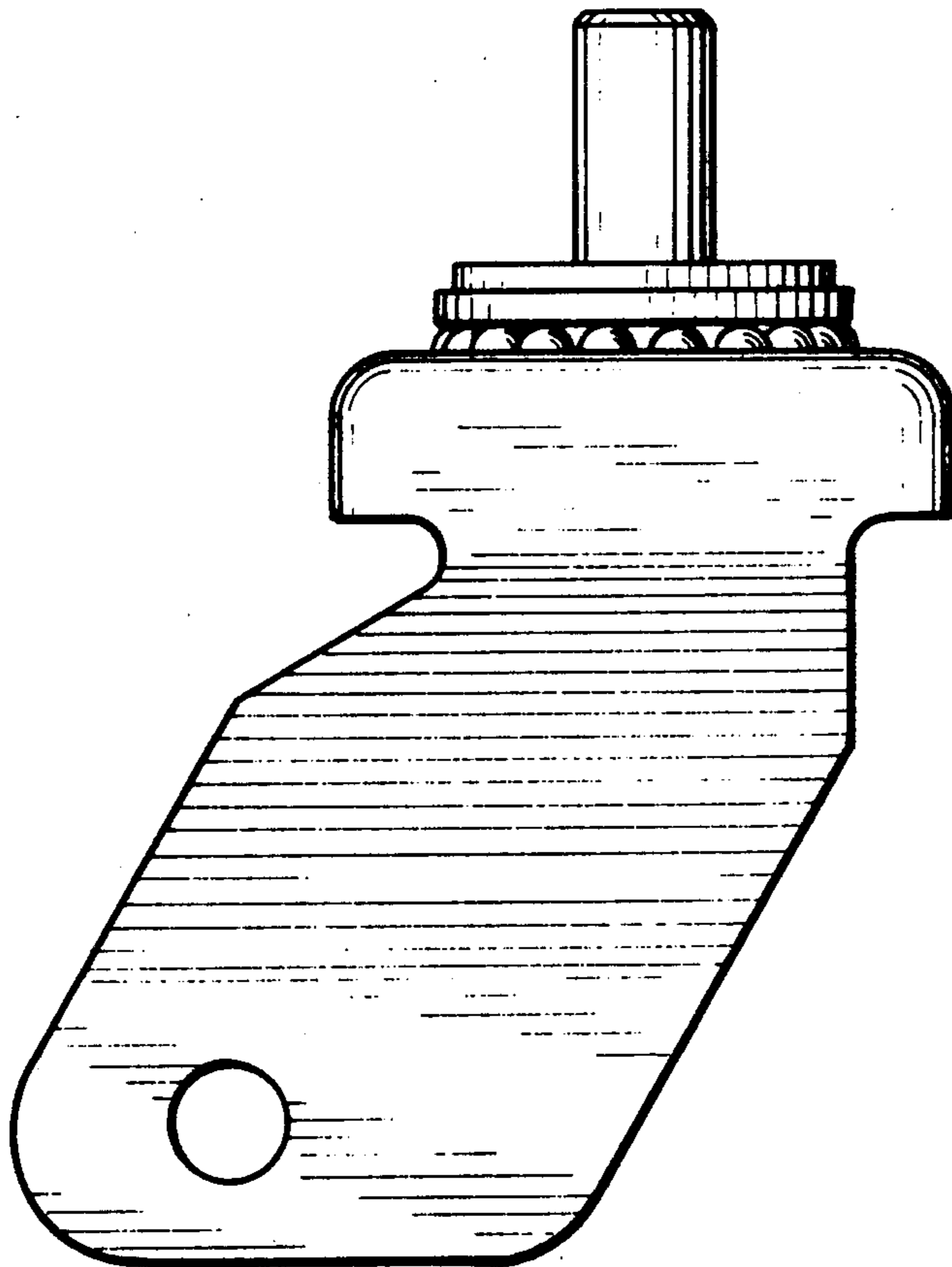
FIG. 8 is a front view thereof.

FIG. 9 is a top view thereof.

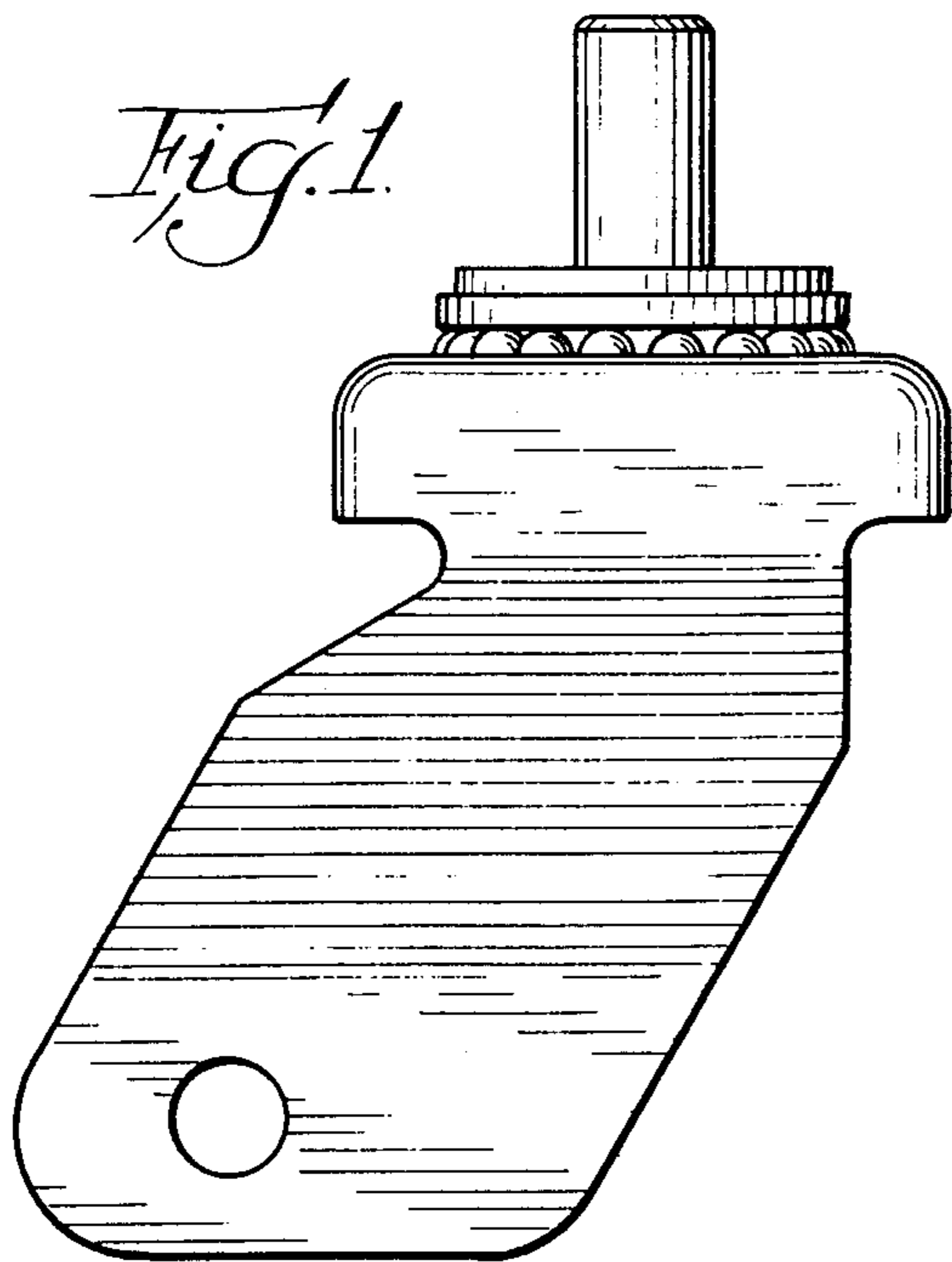
FIG. 10 is a left side view thereof.

FIG. 11 is a rear view thereof, and,

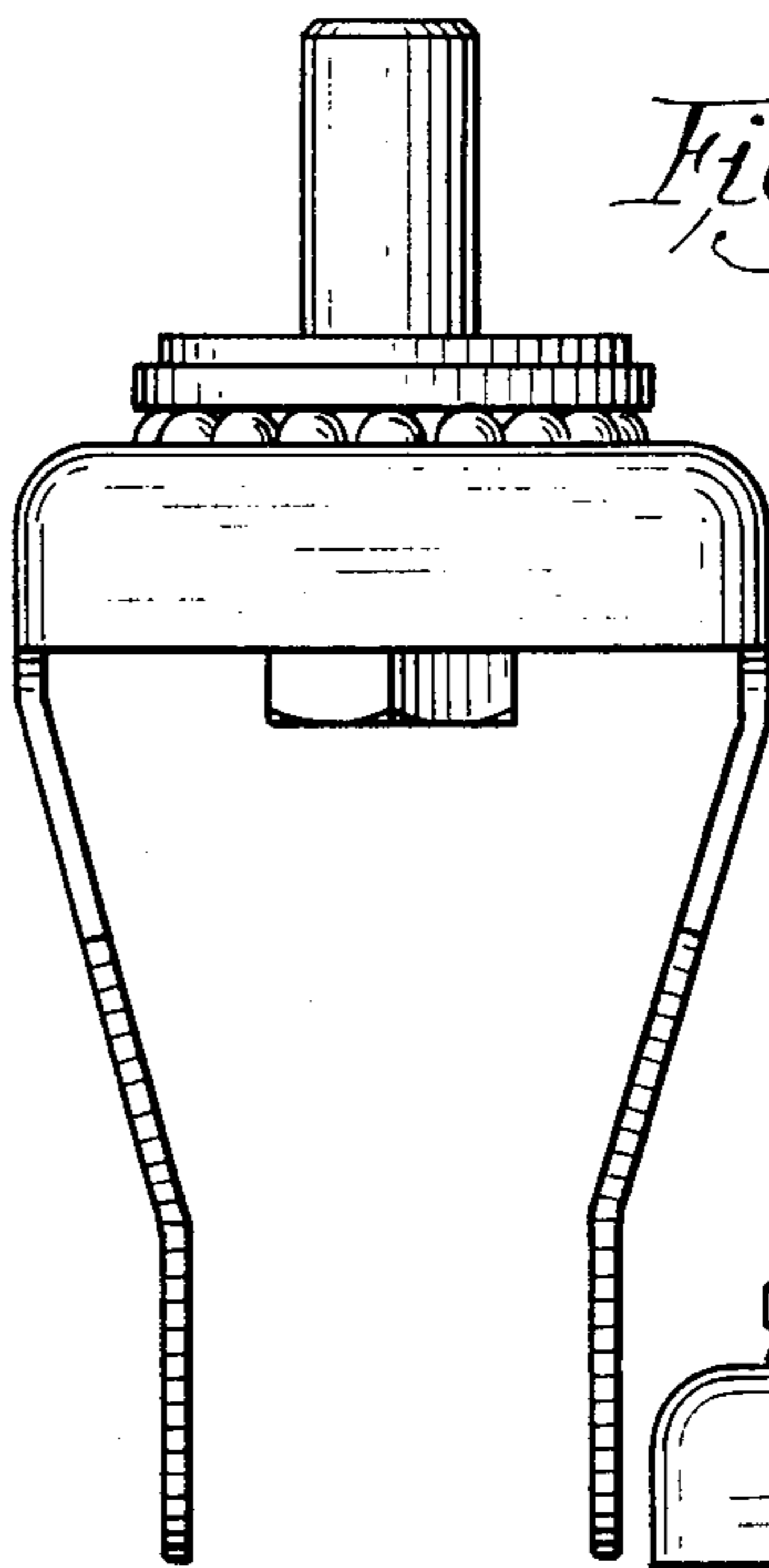
FIG. 12 is a bottom view thereof.



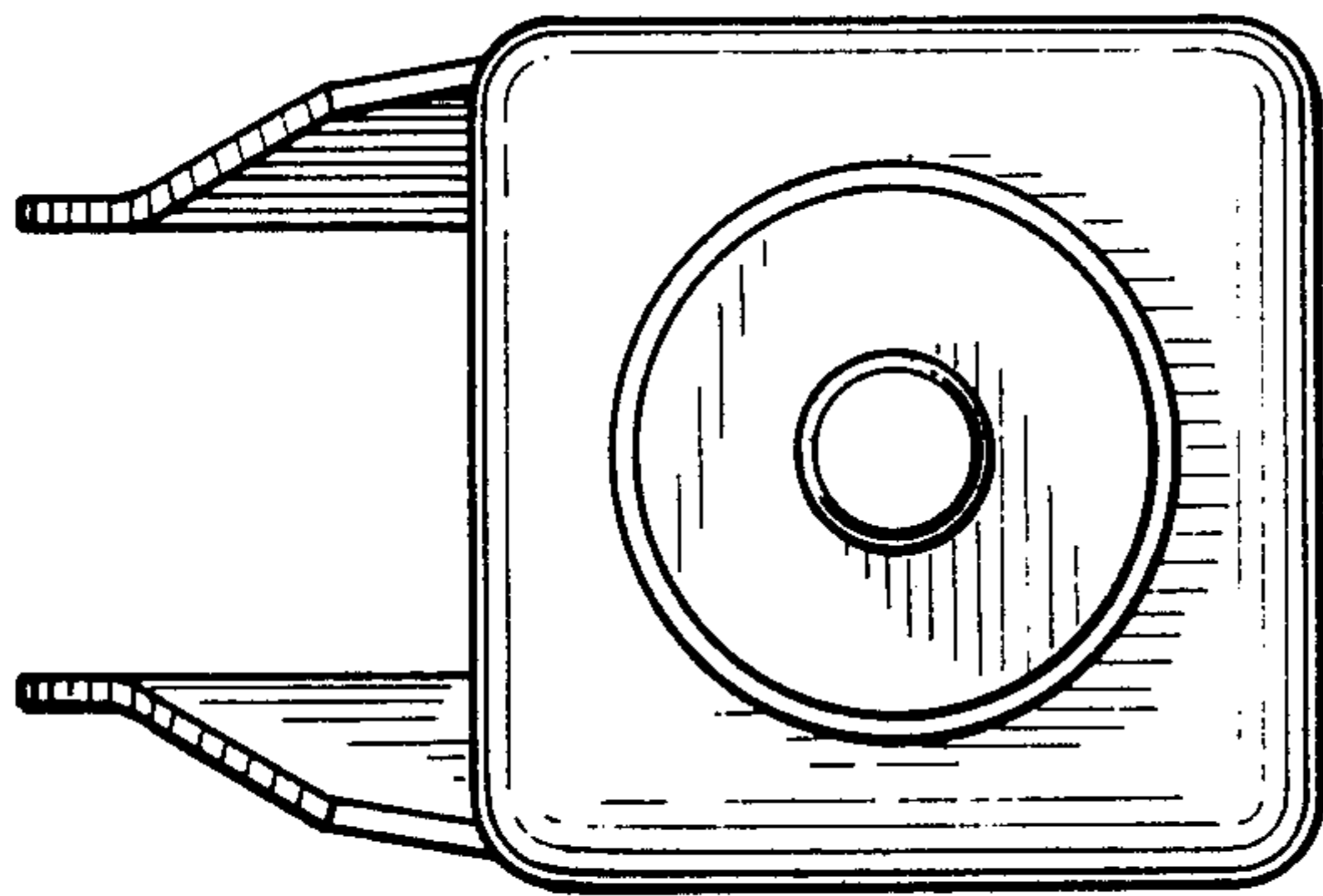
*Fig. 1.*



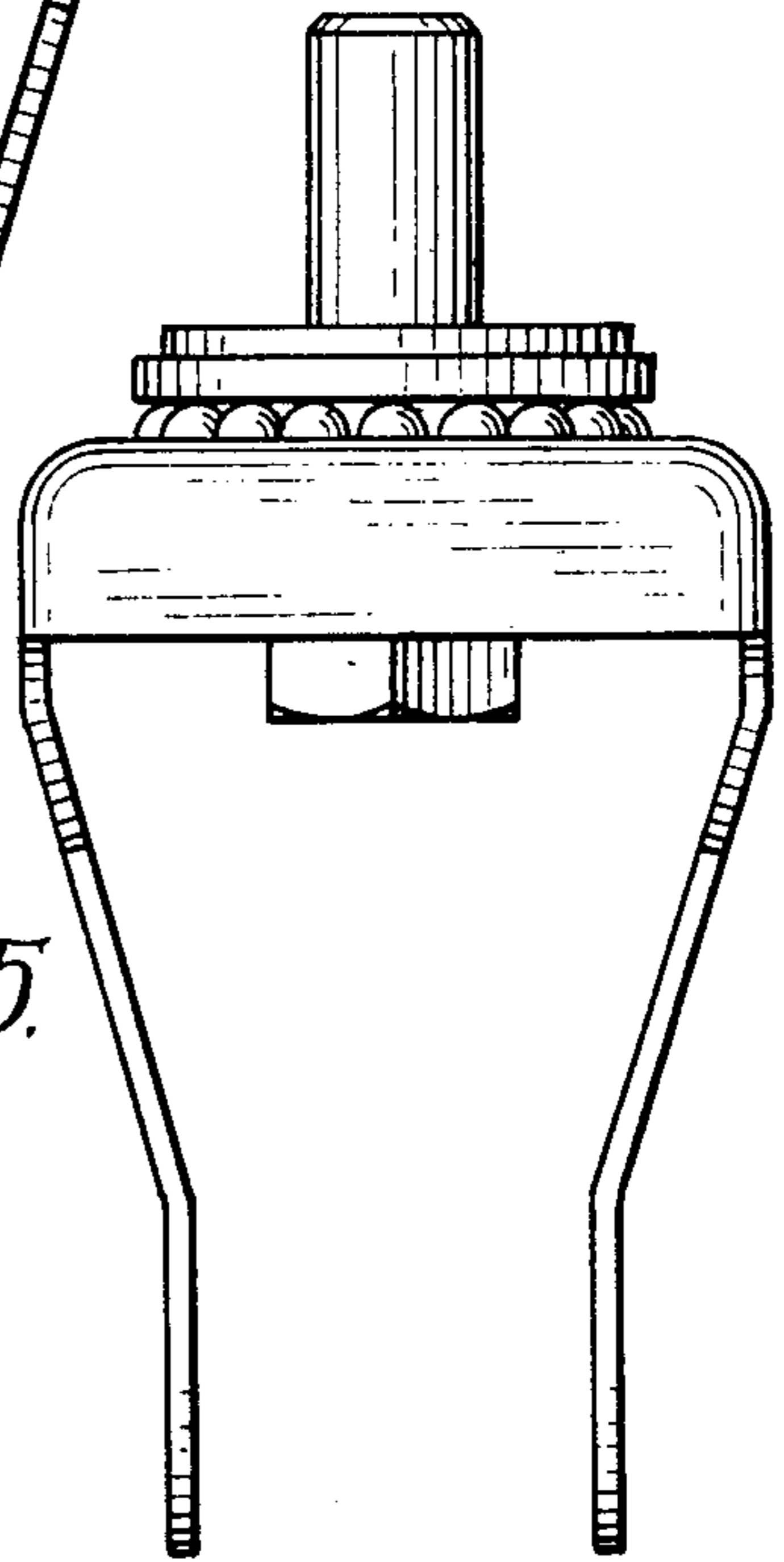
*Fig. 2.*



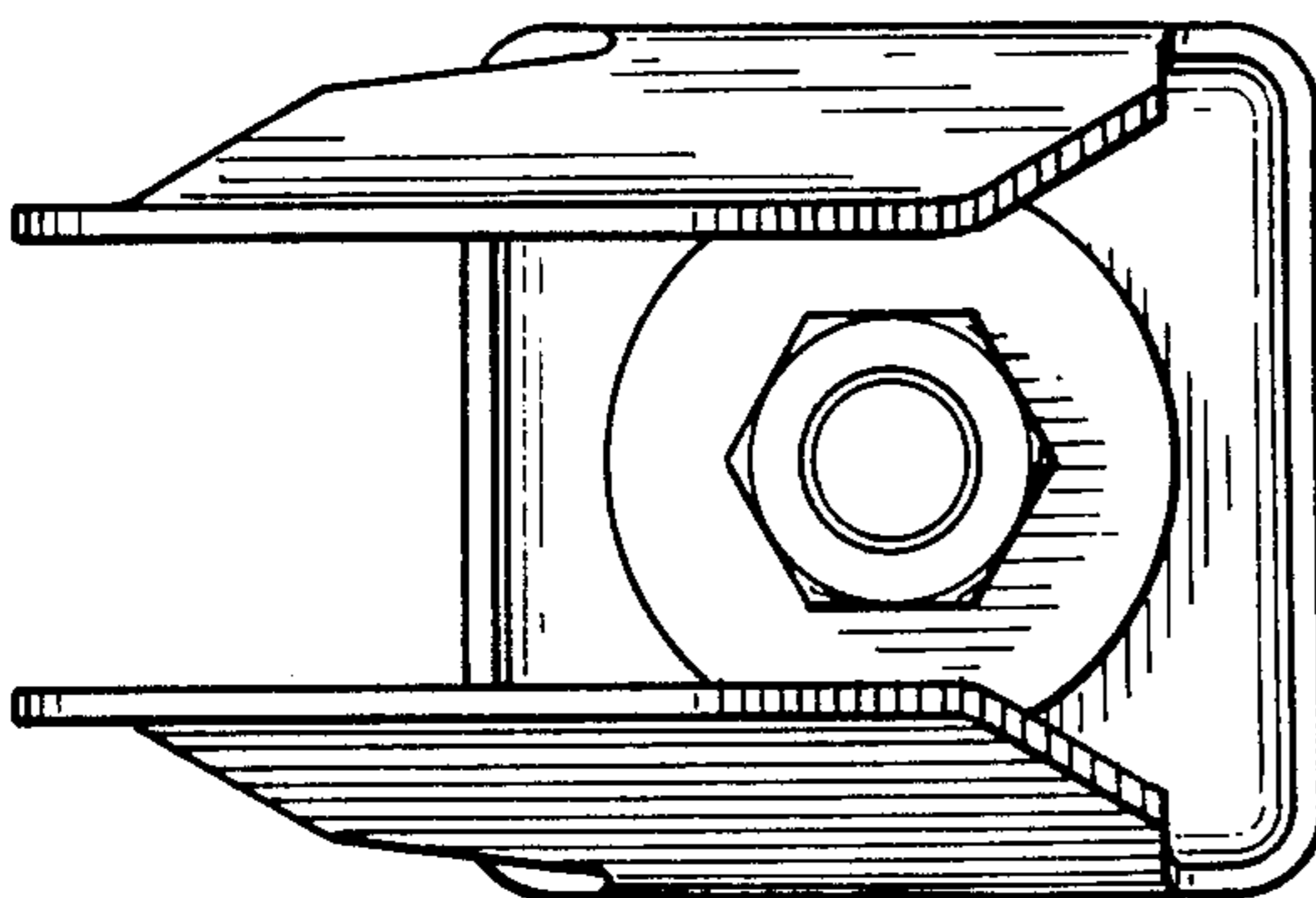
*Fig. 3.*



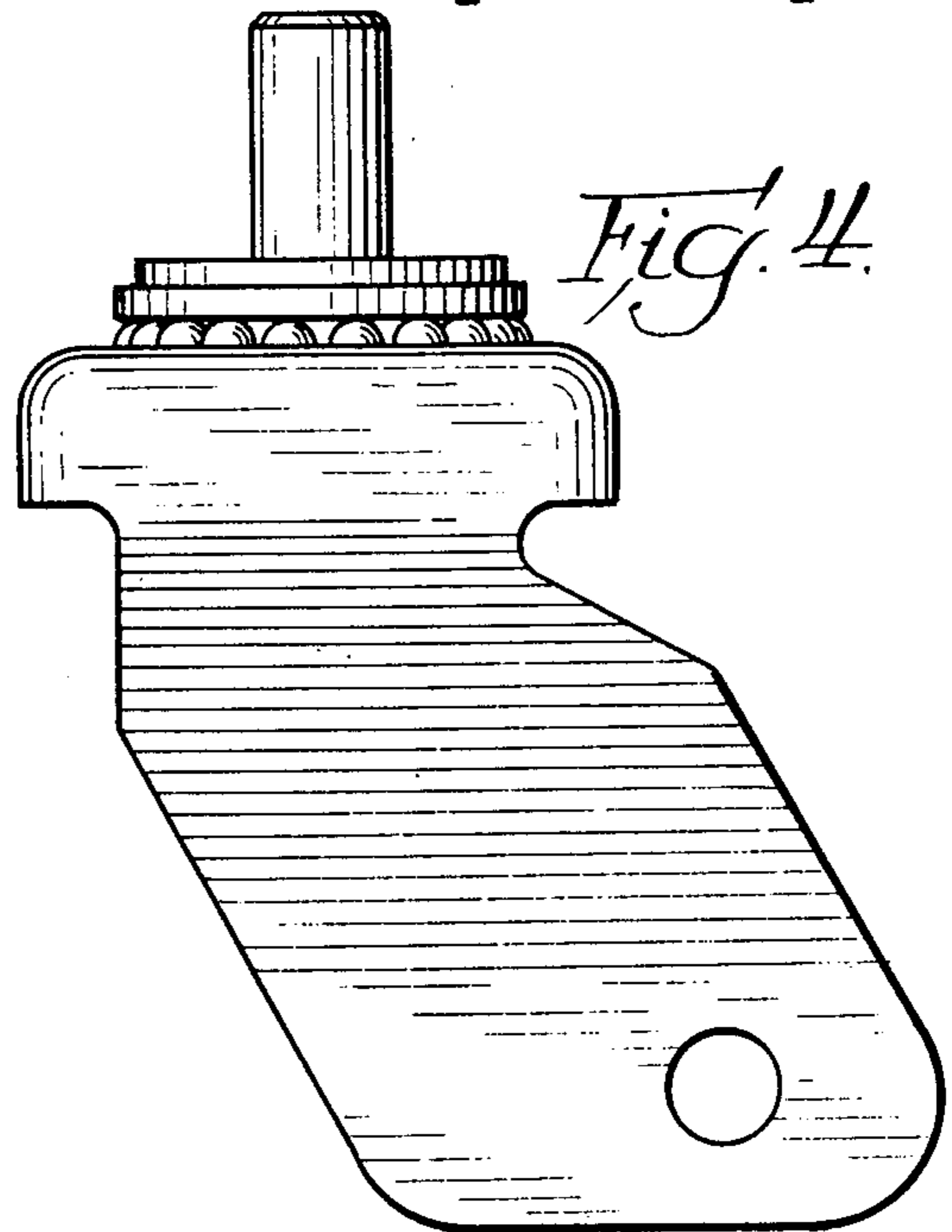
*Fig. 5.*

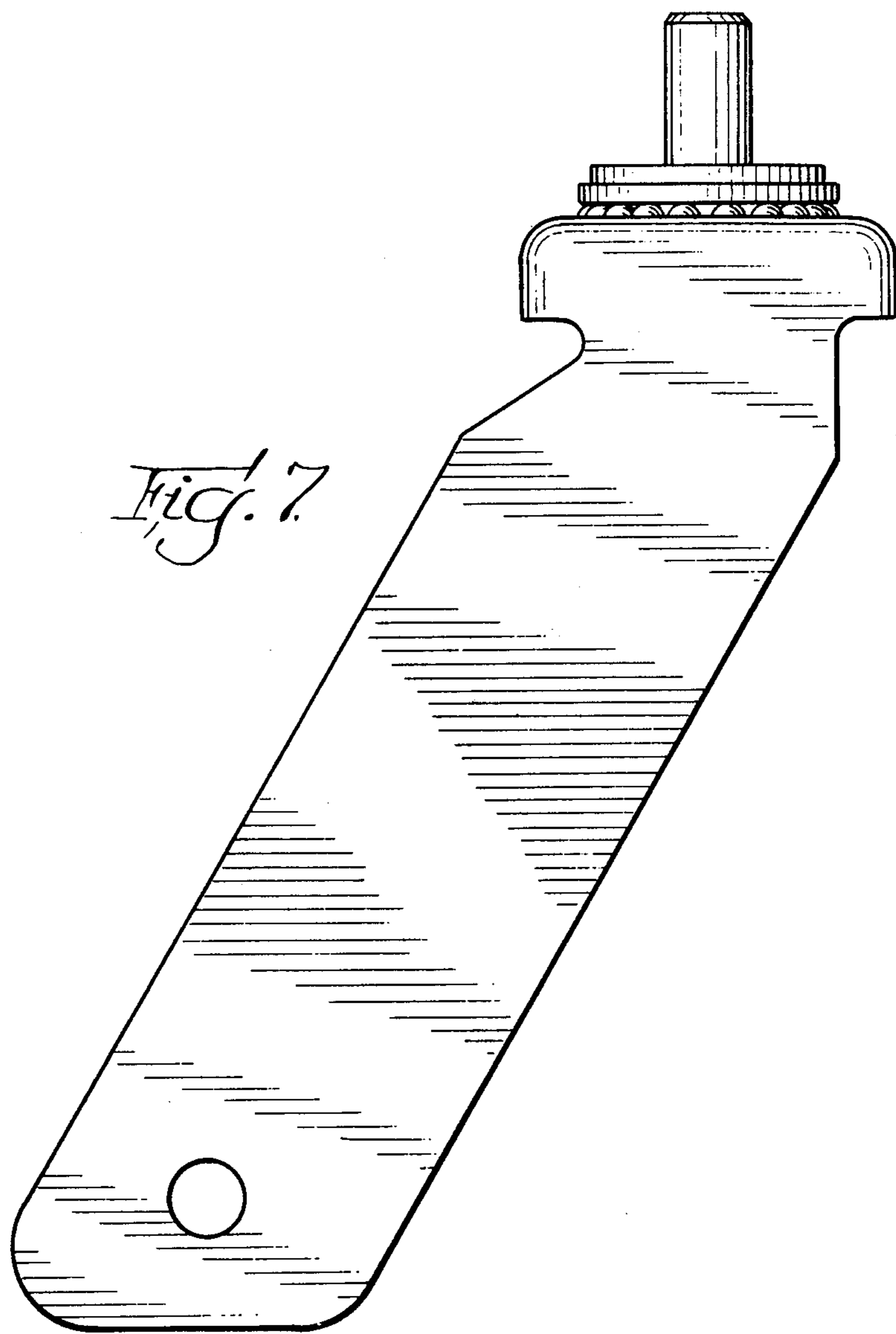


*Fig. 6.*

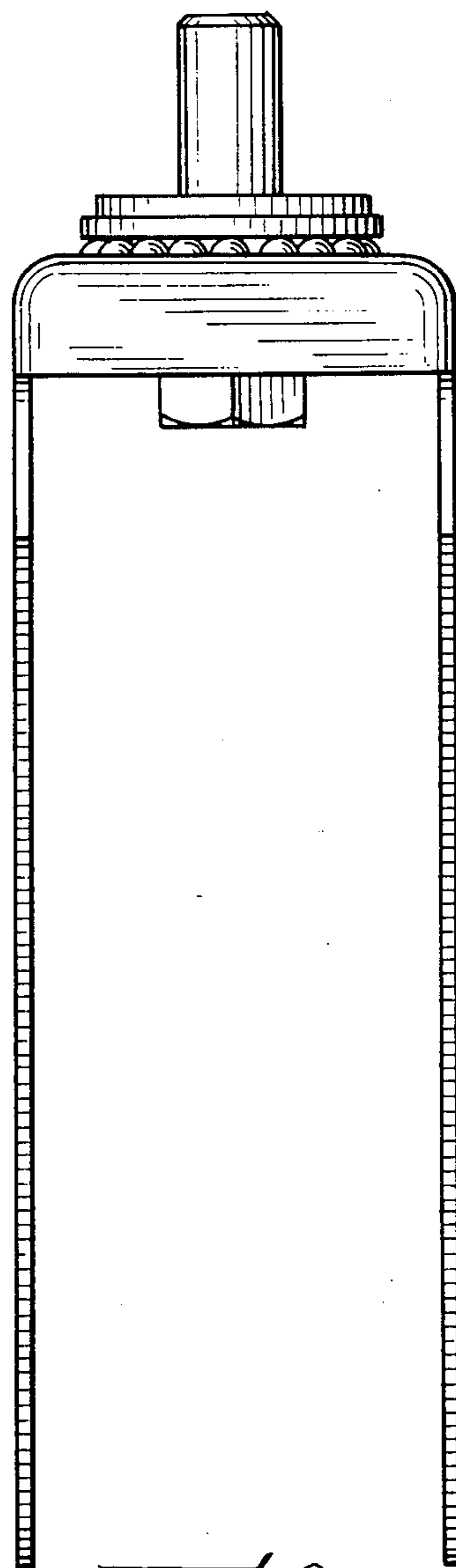


*Fig. 4.*

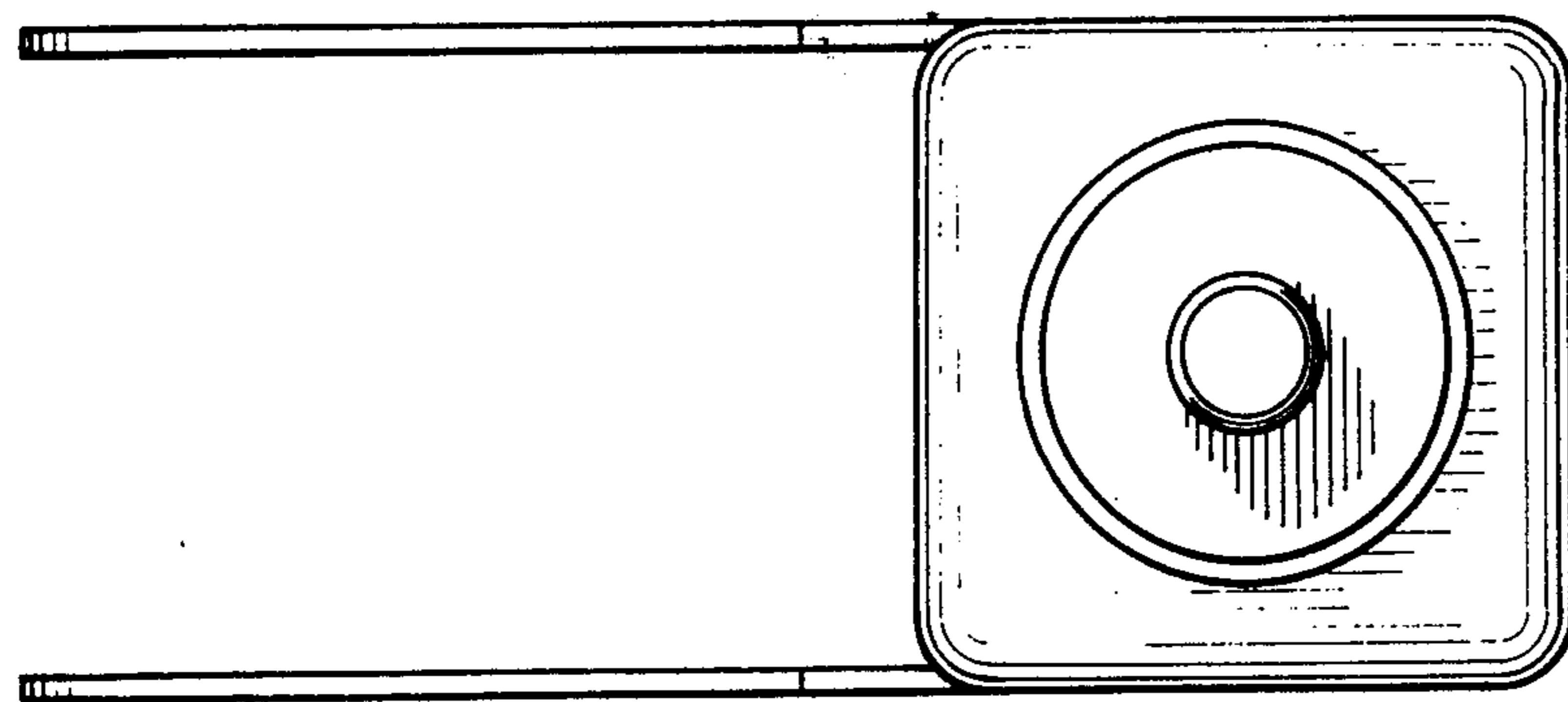




*Fig. 7*



*Fig. 8*



*Fig. 9*

