

[54] KEY BLANK FOR AN AXIAL TUMBLER-TYPE LOCK

[75] Inventor: Robert L. Steinbach, Chicago, Ill.

[73] Assignee: Chicago Lock Co., Chicago, Ill.

[**] Term: 14 Years

[21] Appl. No.: 869,868

[22] Filed: Jan. 16, 1978

[51] Int. Cl. D8-07

[52] U.S. Cl. D8/347

[58] Field of Search D8/347; 70/404, 403, 70/408

[56] References Cited

U.S. PATENT DOCUMENTS

D. 244,081	4/1977	Steinbach	D8/347
877,930	2/1908	Katzenberger	70/404
3,251,205	5/1966	Kerr	70/404

Primary Examiner—James M. Gandy
Attorney, Agent, or Firm—Norman H. Gerlach

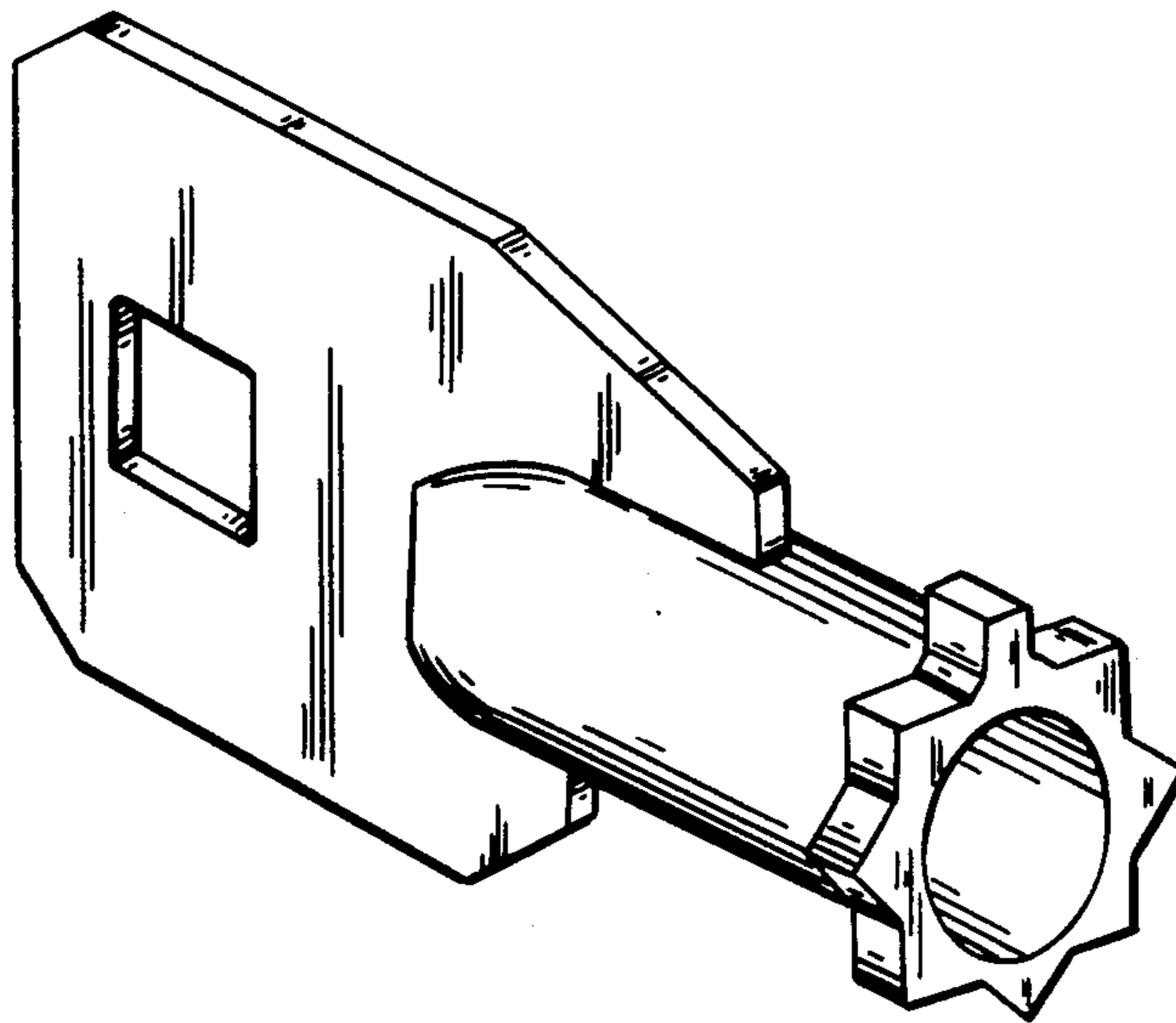
[57] CLAIM

The ornamental design for a key blank for an axial tumbler-type lock, substantially as shown and described.

DESCRIPTION

FIG. 1 is a perspective view of a key blank for an axial tumbler-type lock embodying my new design; FIGS. 2 and 3 are, respectively, elevational views of the opposite sides thereof; FIG. 4 is a top plan view thereof, with the key blank oriented as in FIG. 2; FIG. 5 is a bottom plan view thereof, with the key blank oriented as in FIG. 3; and FIGS. 6 and 7 are, respectively, elevational views of the opposite ends thereof.

The characteristic feature of the design resides in the end portion of the key blank opposite to the handle thereof.



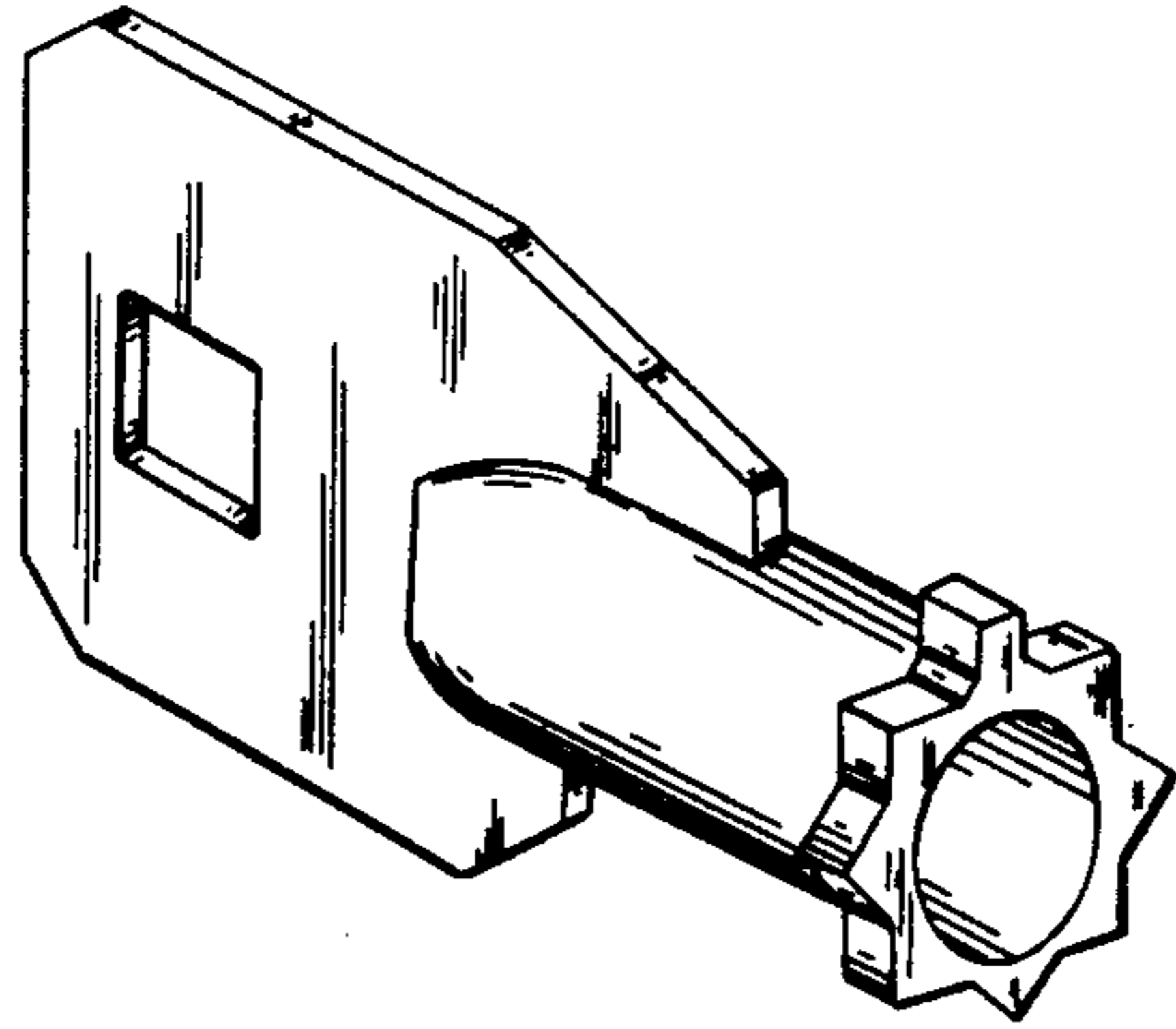


FIG. 1

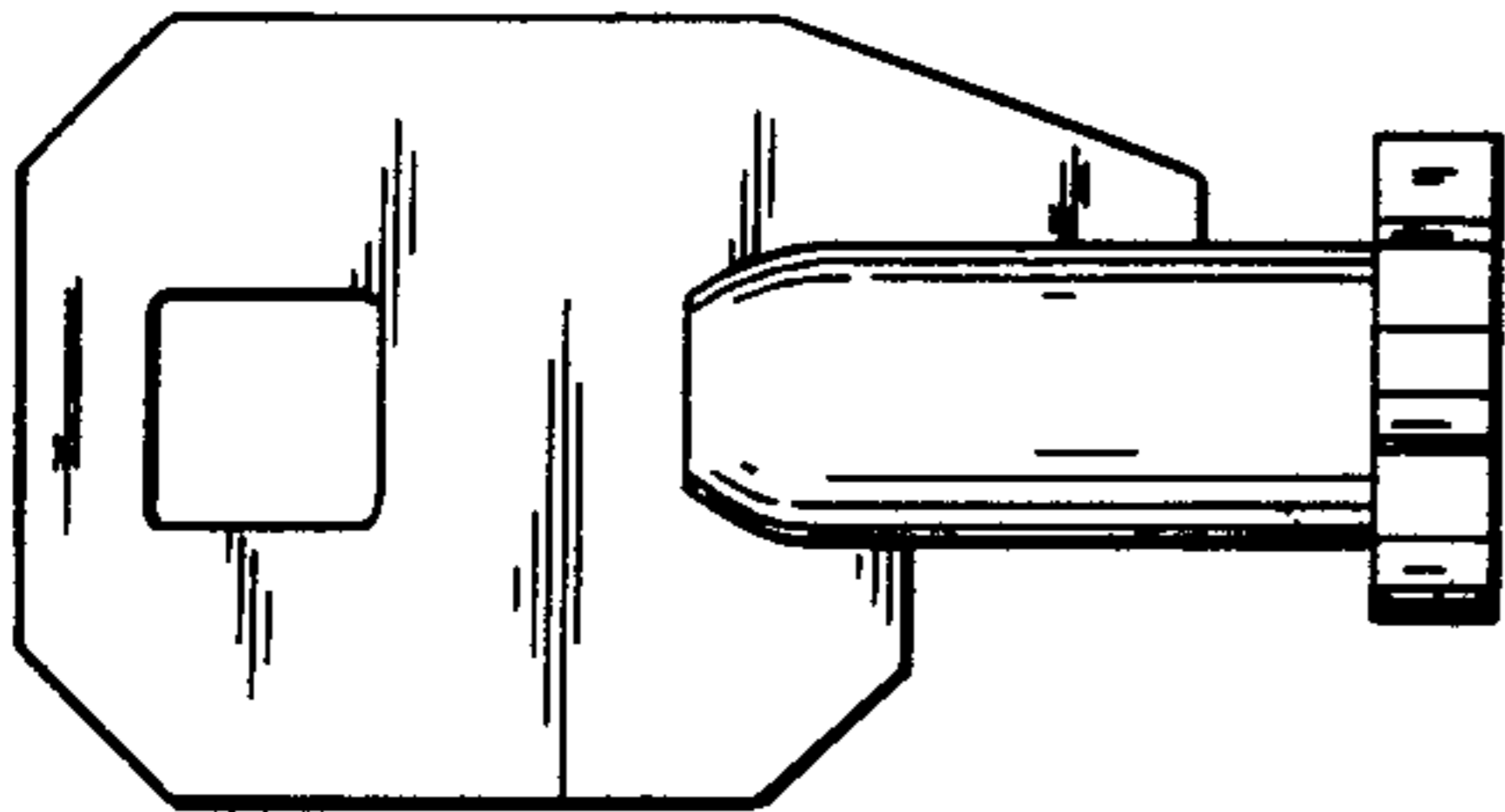


FIG. 2

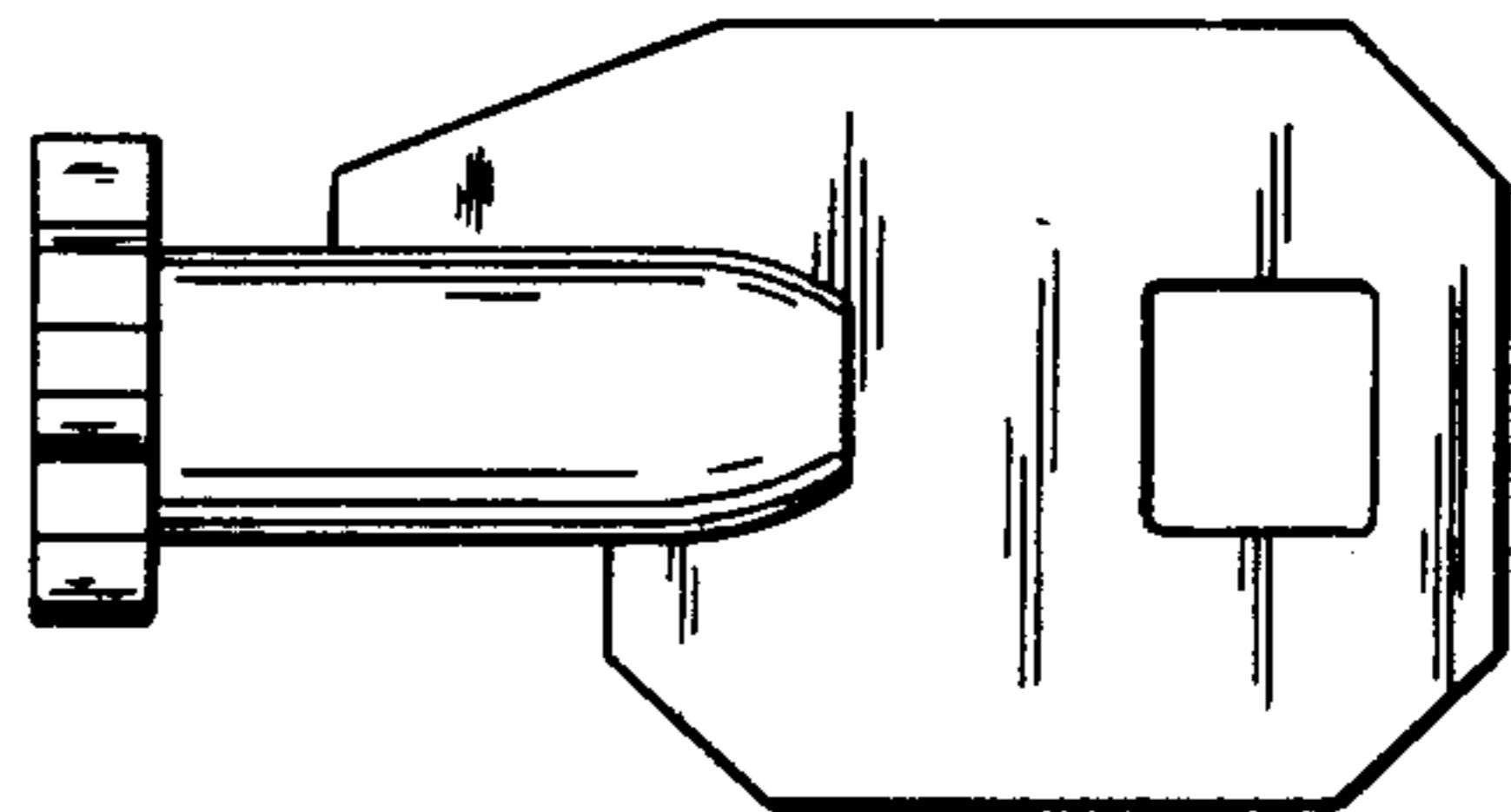


FIG. 3

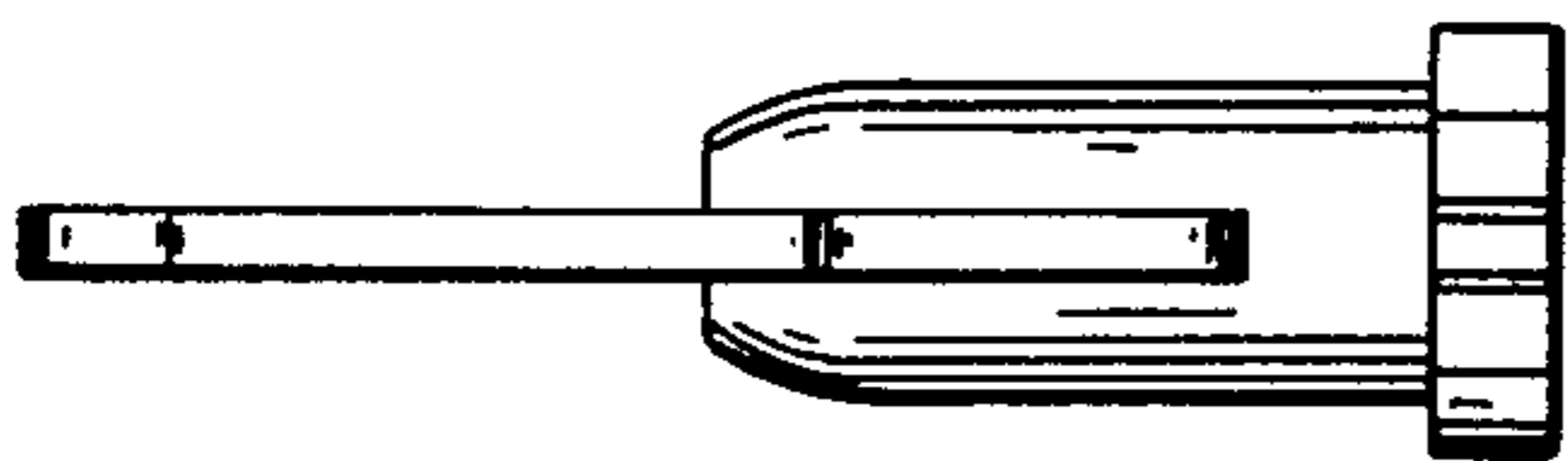


FIG. 4

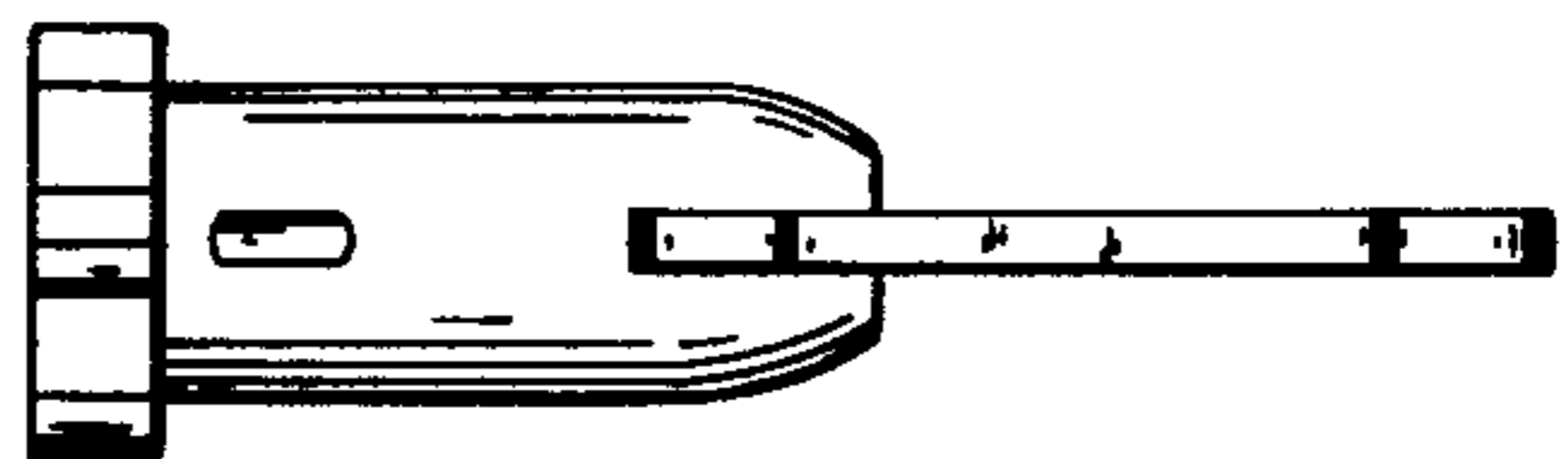


FIG. 5

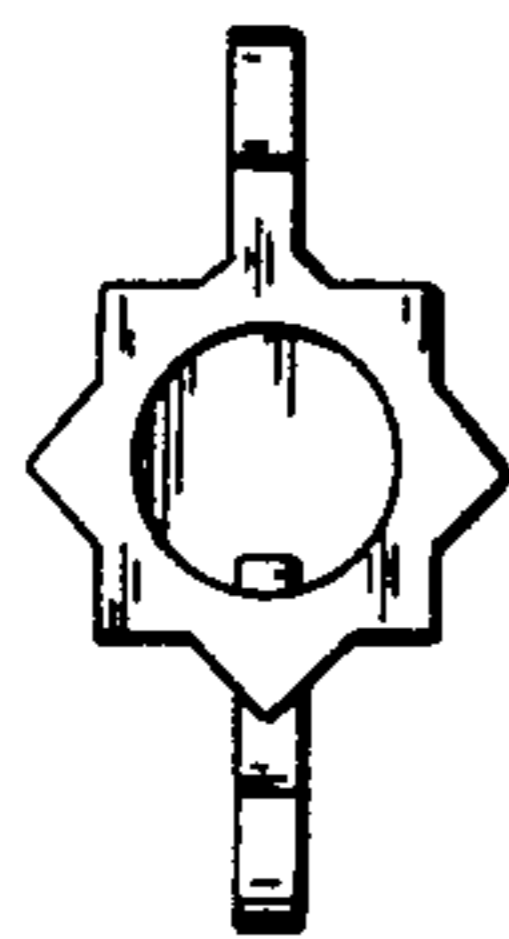


FIG. 6

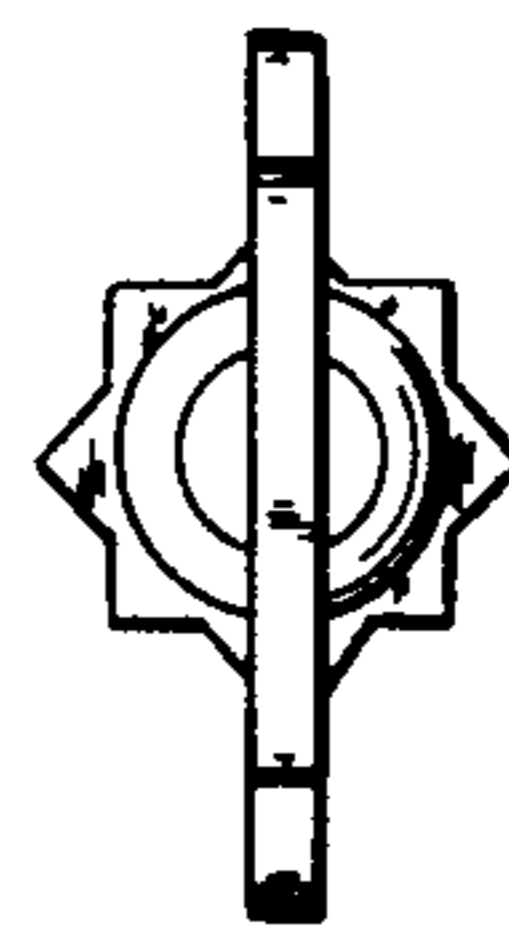


FIG. 7