

[54] MAGNETIC HOLDER FOR OBJECTS

[76] Inventor: Naomi Heckler, 934 Embury St., Pacific Palisades, Calif. 90272

[\*\*] Term: 14 Years

[21] Appl. No.: 841,152

[22] Filed: Oct. 11, 1977

[51] Int. Cl. .... D23-02; D6-04

[52] U.S. Cl. .... D6/86; D6/88; D6/94; D6/114

[58] Field of Search ..... D6/86-94, D6/96-103, 113, 114; 206/77.1, 350, 362, 362.1, 15.2, 818; 211/60 R, 60 A, 87, 88, DIG. 1; 223/109 A; 335/285; 248/206 A

[56] References Cited

U.S. PATENT DOCUMENTS

D. 162,393 3/1951 Donaldson ..... D6/101  
2,414,653 1/1947 Lookholder ..... 211/DIG. 1

2,572,514 10/1951 Phelon ..... 335/285  
3,229,820 1/1966 Hentzi et al. .... 248/206 A

Primary Examiner—Wallace R. Burke  
Assistant Examiner—B. J. Bullock  
Attorney, Agent, or Firm—Jack C. Munro

[57] CLAIM

The ornamental design for a magnetic holder for objects, substantially as shown and described.

DESCRIPTION

FIG. 1 is a front elevational view of a magnetic holder for objects showing my new design, the toothbrush and magnet being shown in broken lines for illustrative purposes only;

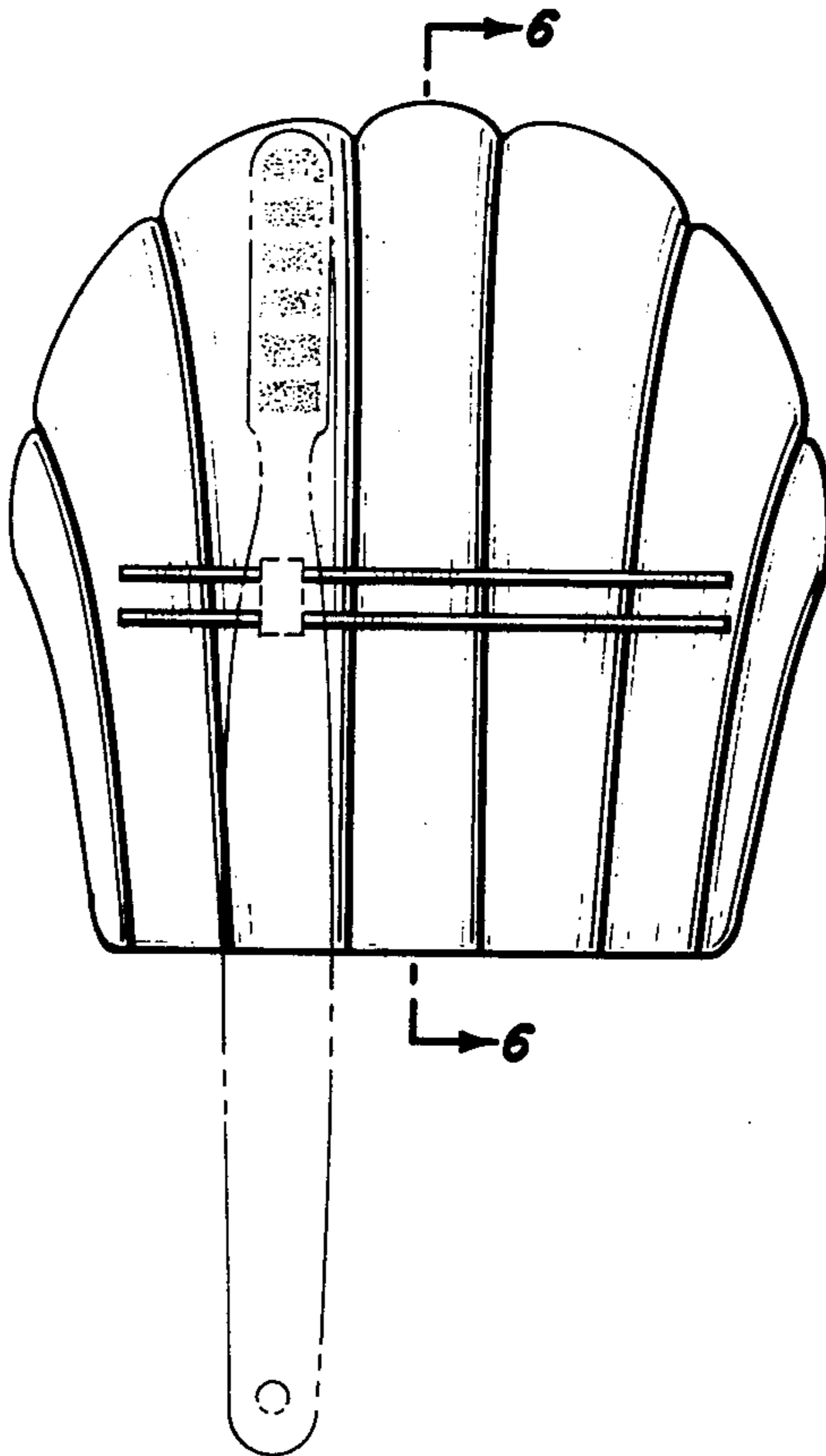
FIG. 2 is a side elevational view thereof;

FIG. 3 is a top plan view thereof;

FIG. 4 is a bottom plan view thereof;

FIG. 5 is a rear elevational view thereof; and

FIG. 6 is a sectional view taken in the direction of the arrows on line 6-6 of FIG. 1.



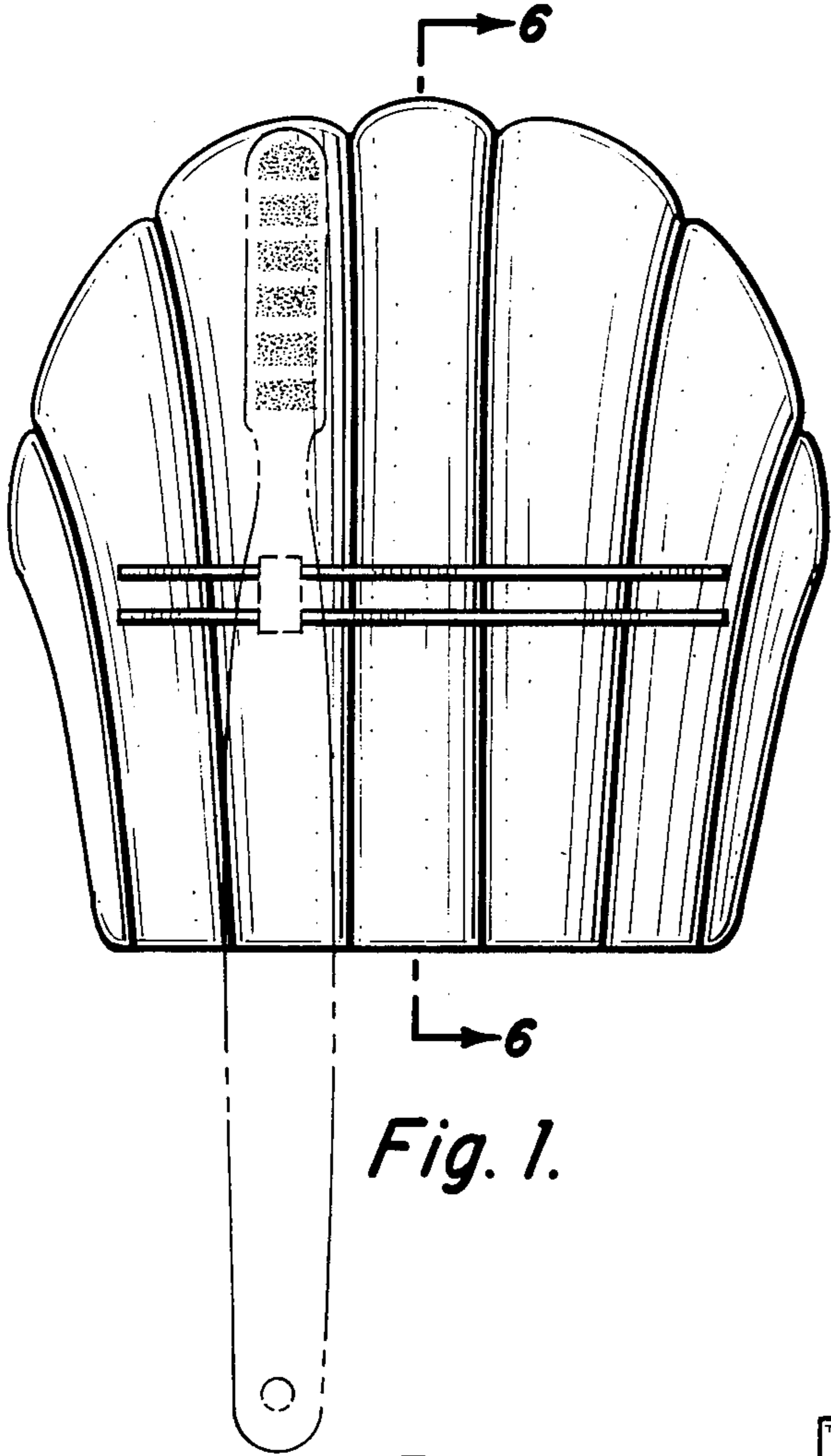


Fig. 1.

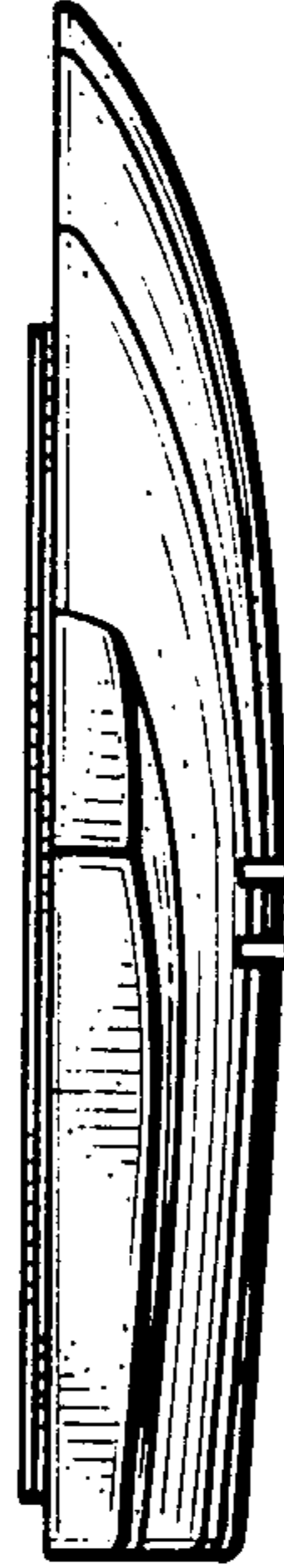


Fig. 2.

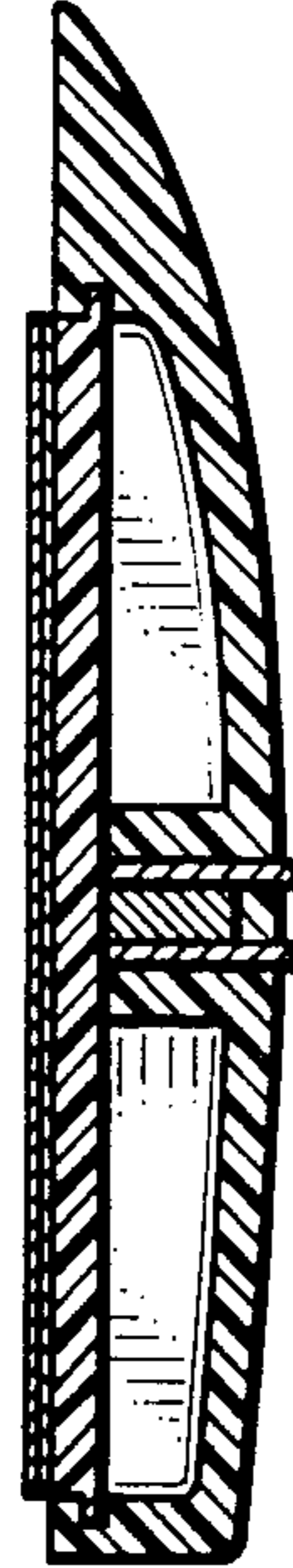


Fig. 6.



Fig. 3.

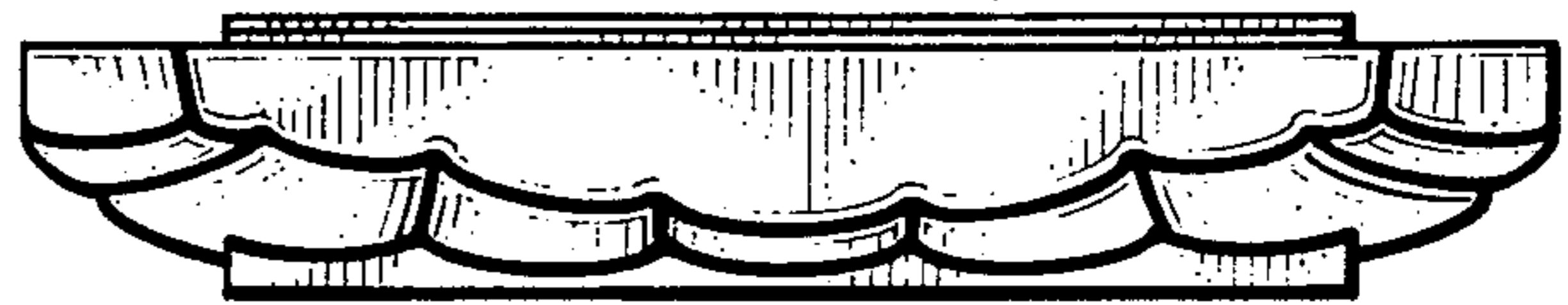


Fig. 4.

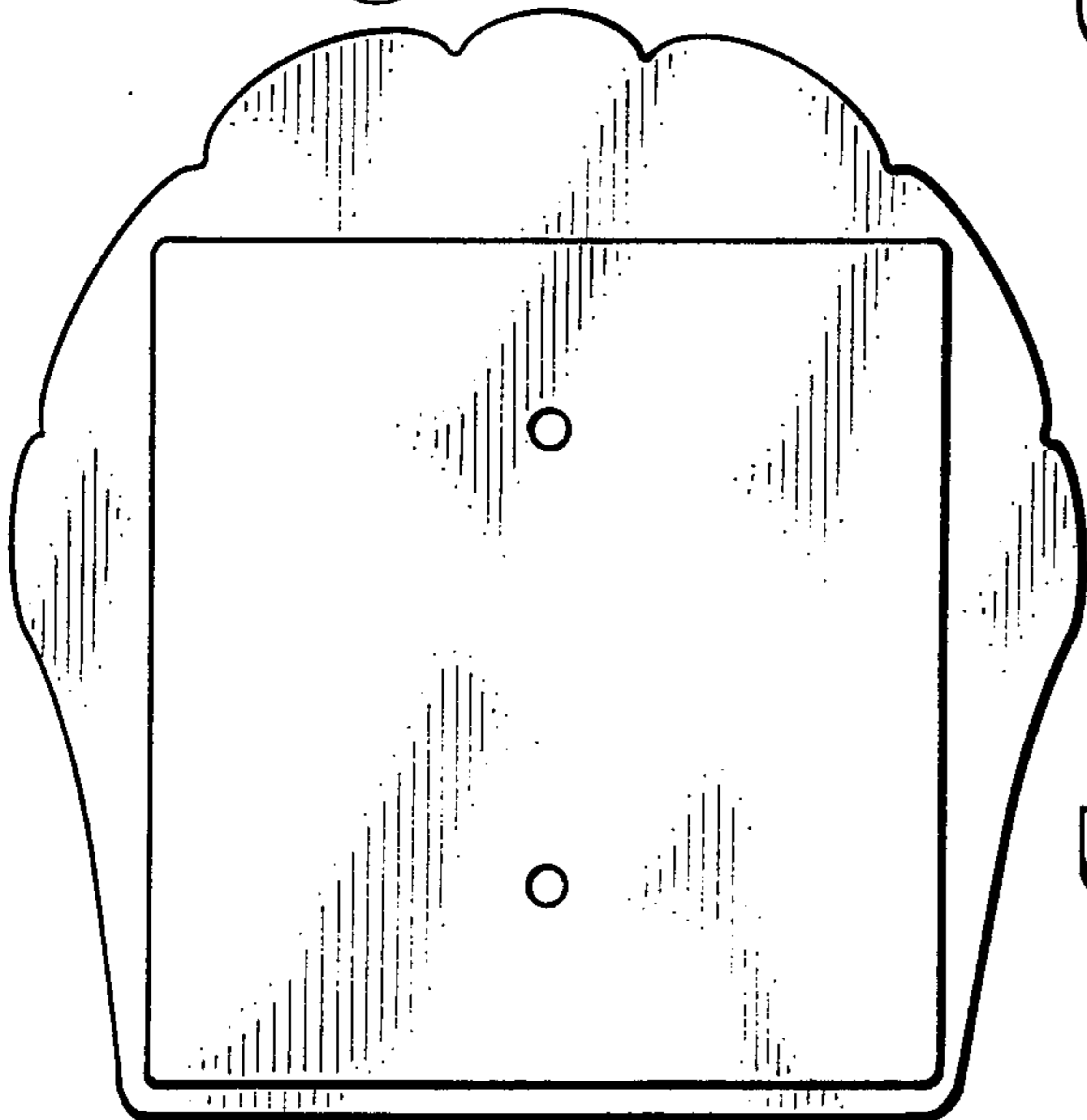


Fig. 5.