

- [54] **MAGNETIC SOAP HOLDER**
- [76] **Inventor:** Naomi Heckler, 934 Embury St., Pacific Palisades, Calif. 90272
- [**] **Term:** 14 Years
- [21] **Appl. No.:** 841,148
- [22] **Filed:** Oct. 11, 1977
- [51] **Int. Cl.** D23-02
- [52] **U.S. Cl.** D6/90
- [58] **Field of Search** D6/86-94, D6/96-103, 113, 114; 206/77.1, 350, 818; 211/87, 88, DIG. 1; 335/285; 223/109 A; 248/206 A

3,169,743 2/1965 Page, Jr. 335/285
 3,552,705 1/1971 Caster 248/206 A

Primary Examiner—Wallace R. Burke
Assistant Examiner—B. J. Bullock
Attorney, Agent, or Firm—Jack C. Munro

[57] **CLAIM**

The ornamental design for a magnetic soap holder, substantially as shown and described.

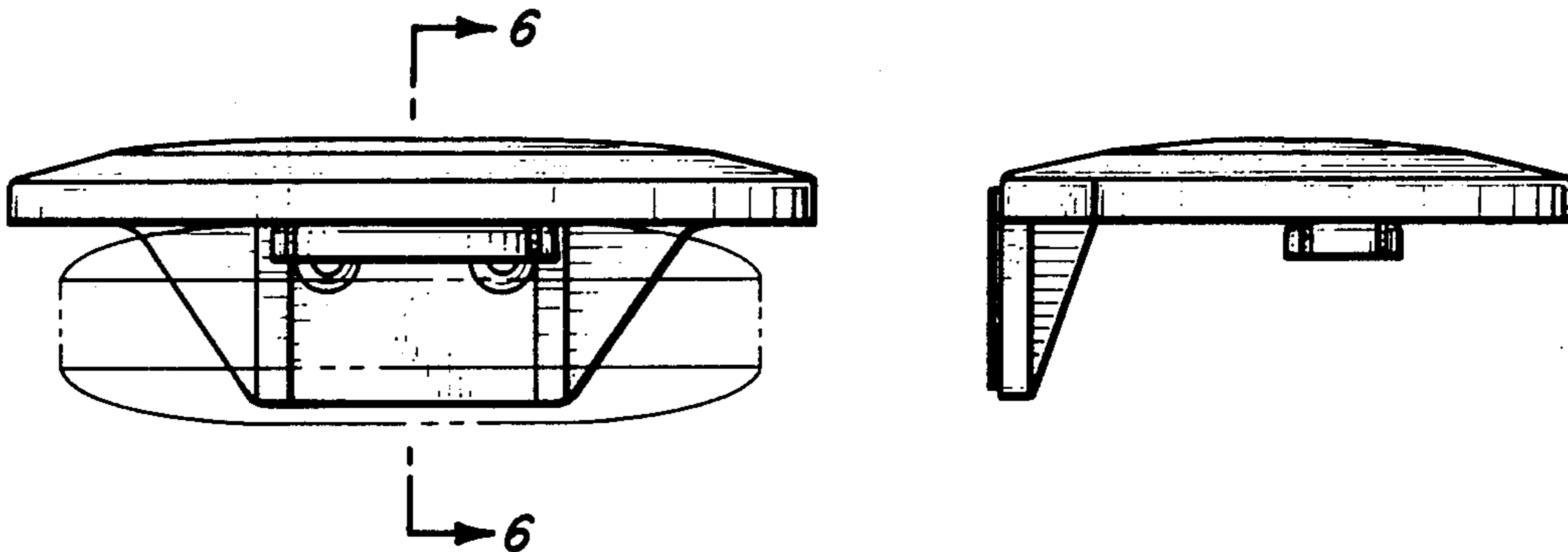
DESCRIPTION

FIG. 1 is a front elevational view of a magnetic soap holder showing my new design, the soap bar being shown in broken lines for illustrative purposes only; FIG. 2 is a side elevational view thereof; FIG. 3 is a top plan view thereof; FIG. 4 is a bottom plan view thereof; FIG. 5 is a rear elevational view thereof; and FIG. 6 is a sectional view taken in the direction of the arrows on line 6-6 of FIG. 1.

[56] **References Cited**

U.S. PATENT DOCUMENTS

- D. 217,164 4/1970 Jarema D6/89
- 2,825,177 3/1958 Nordlof et al. 211/DIG. 1



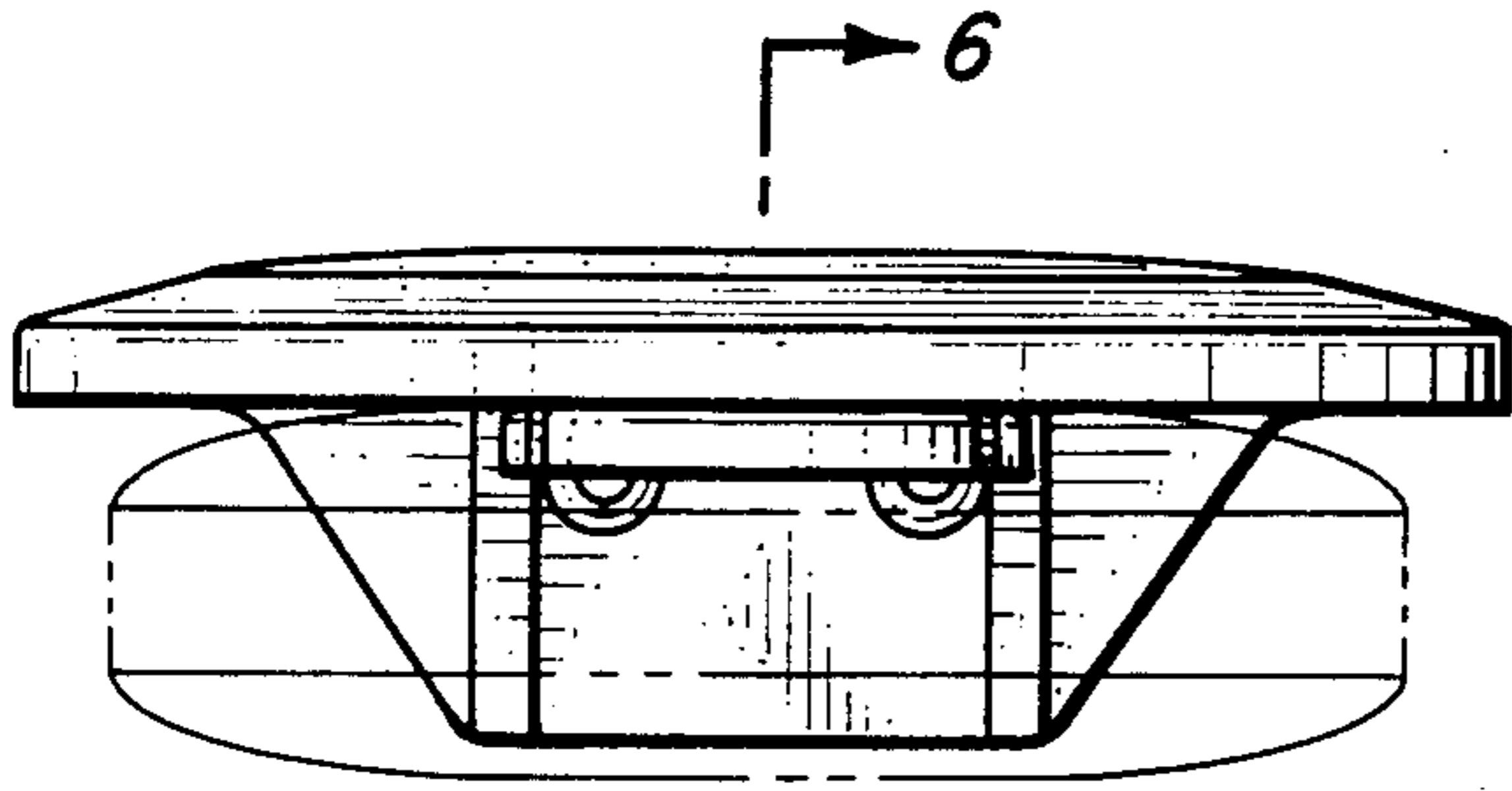


Fig. 1.

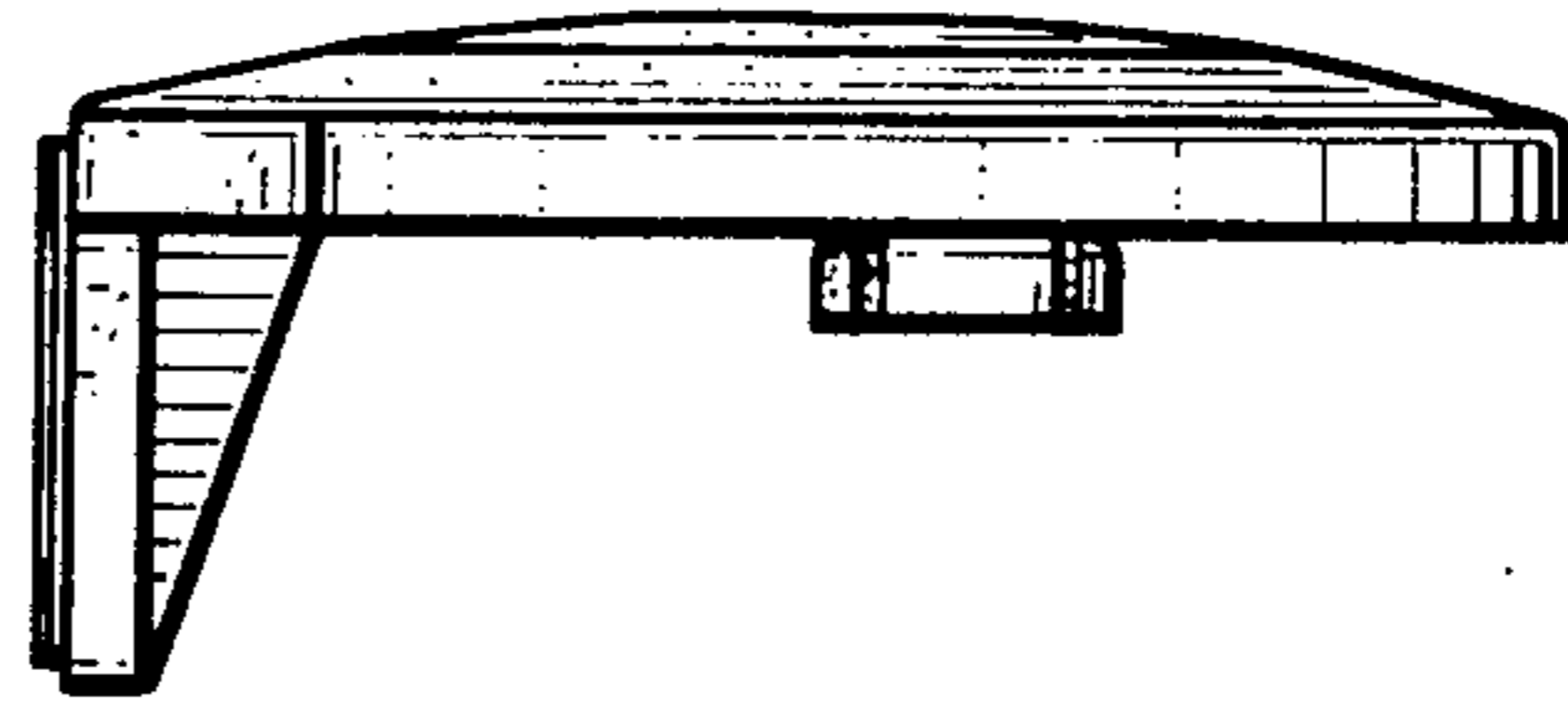


Fig. 2.

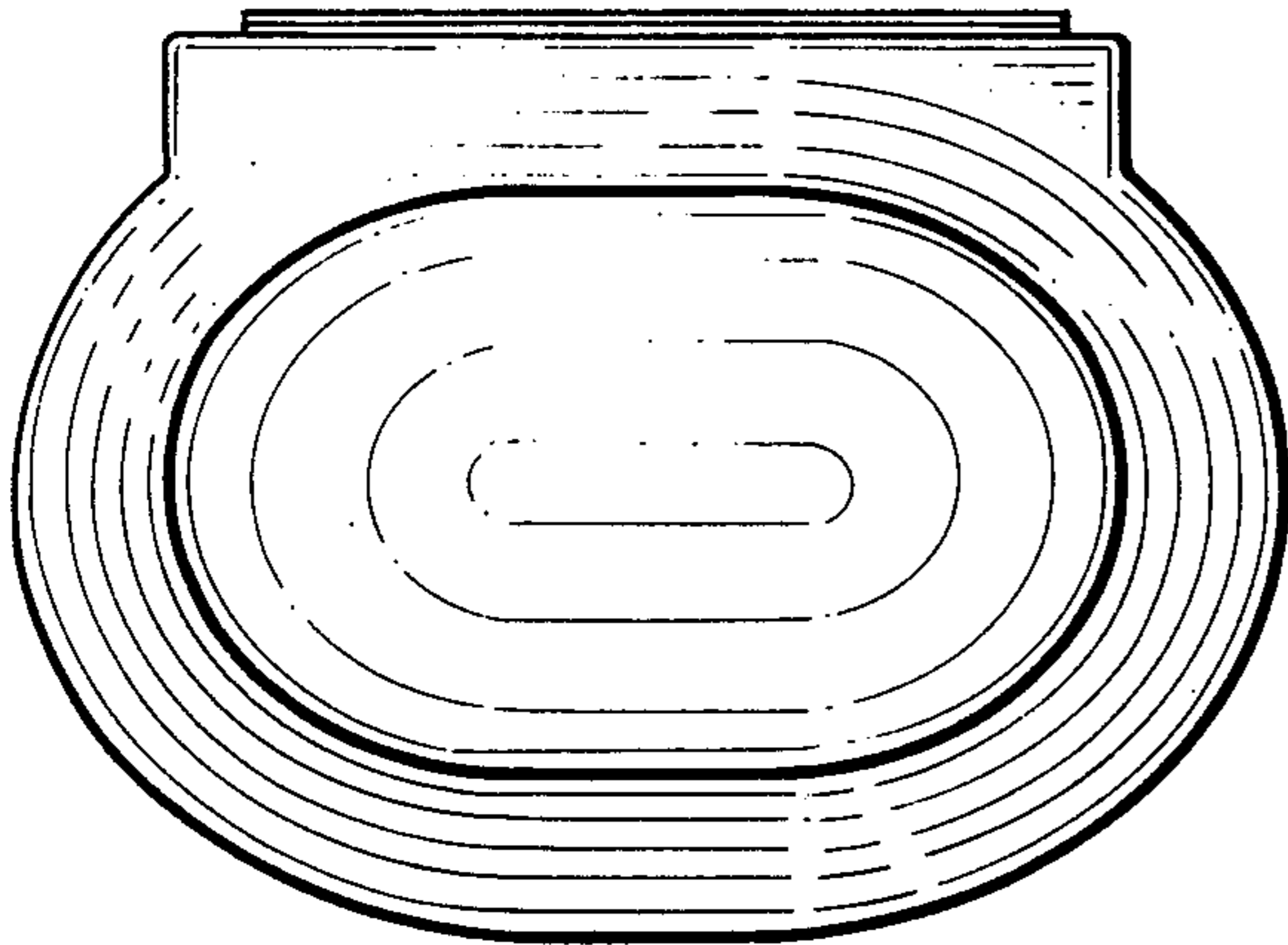


Fig. 3.

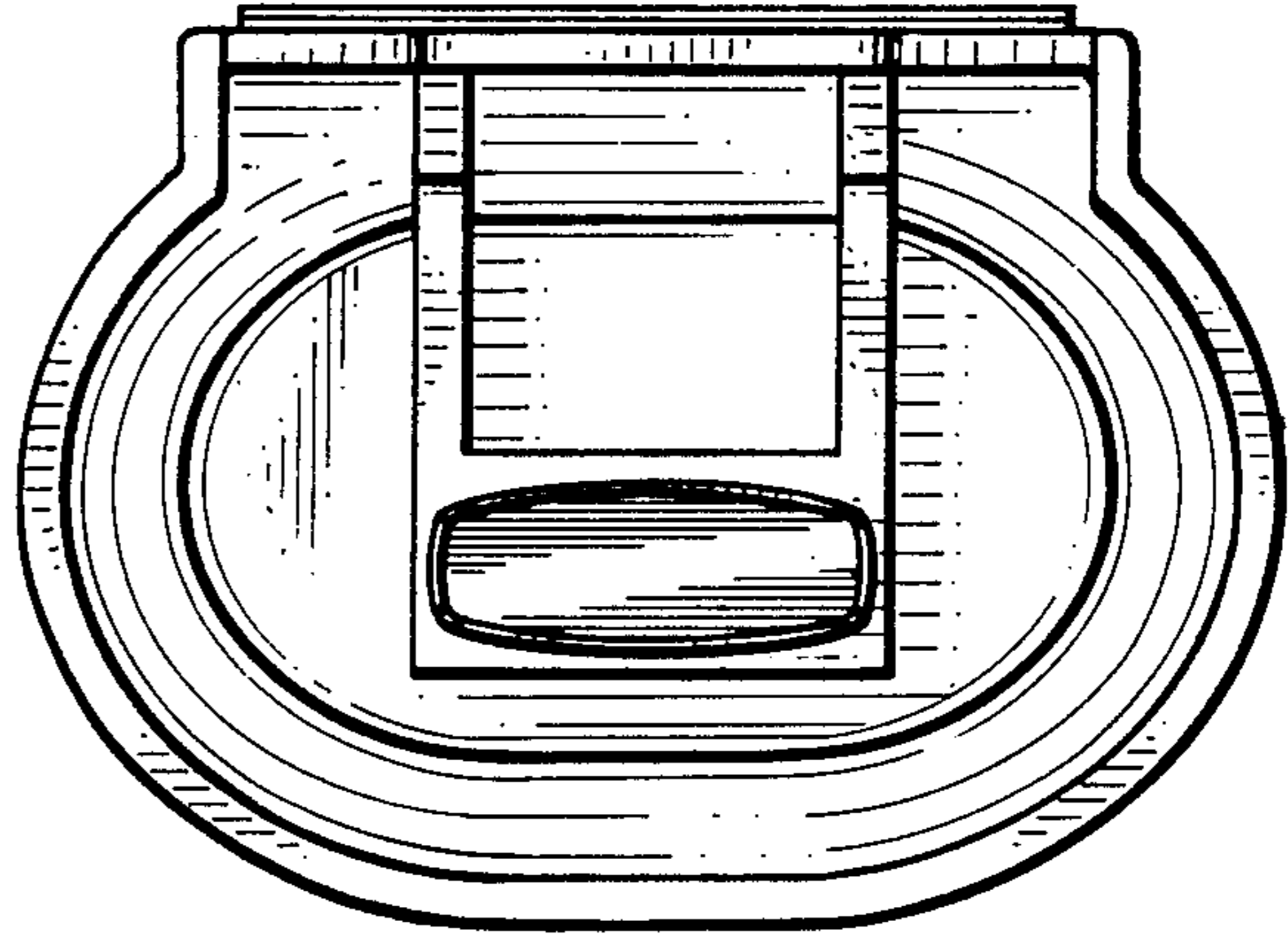


Fig. 4.

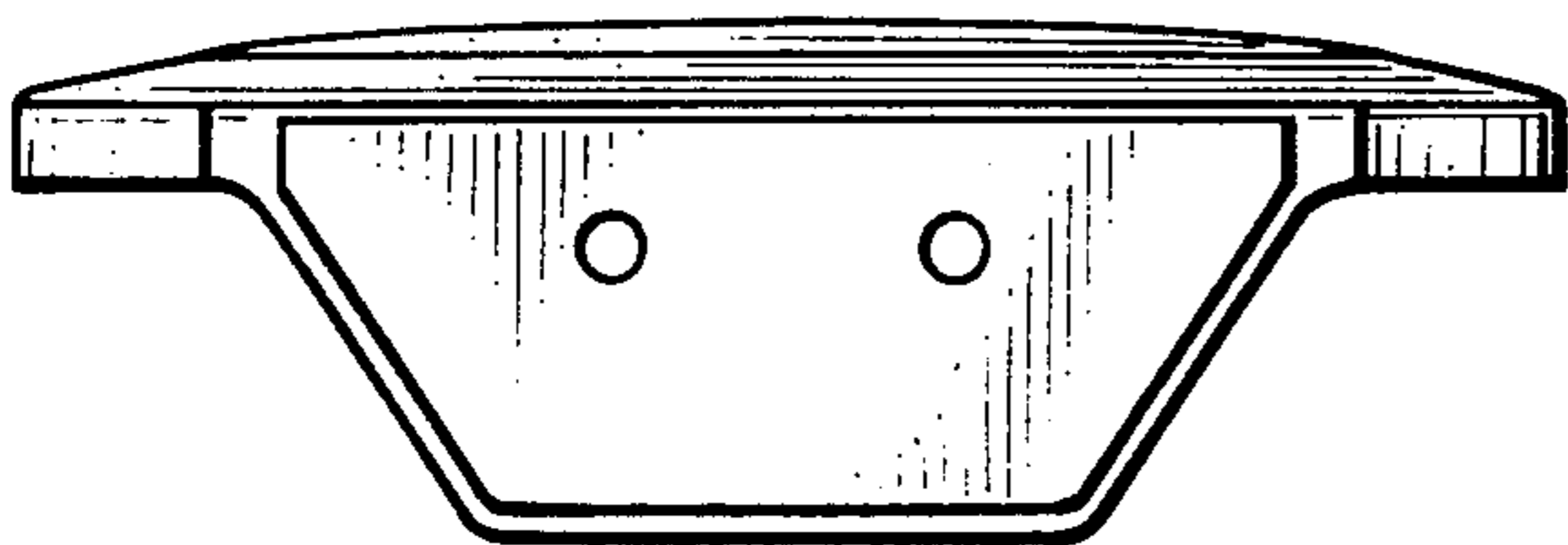


Fig. 5.

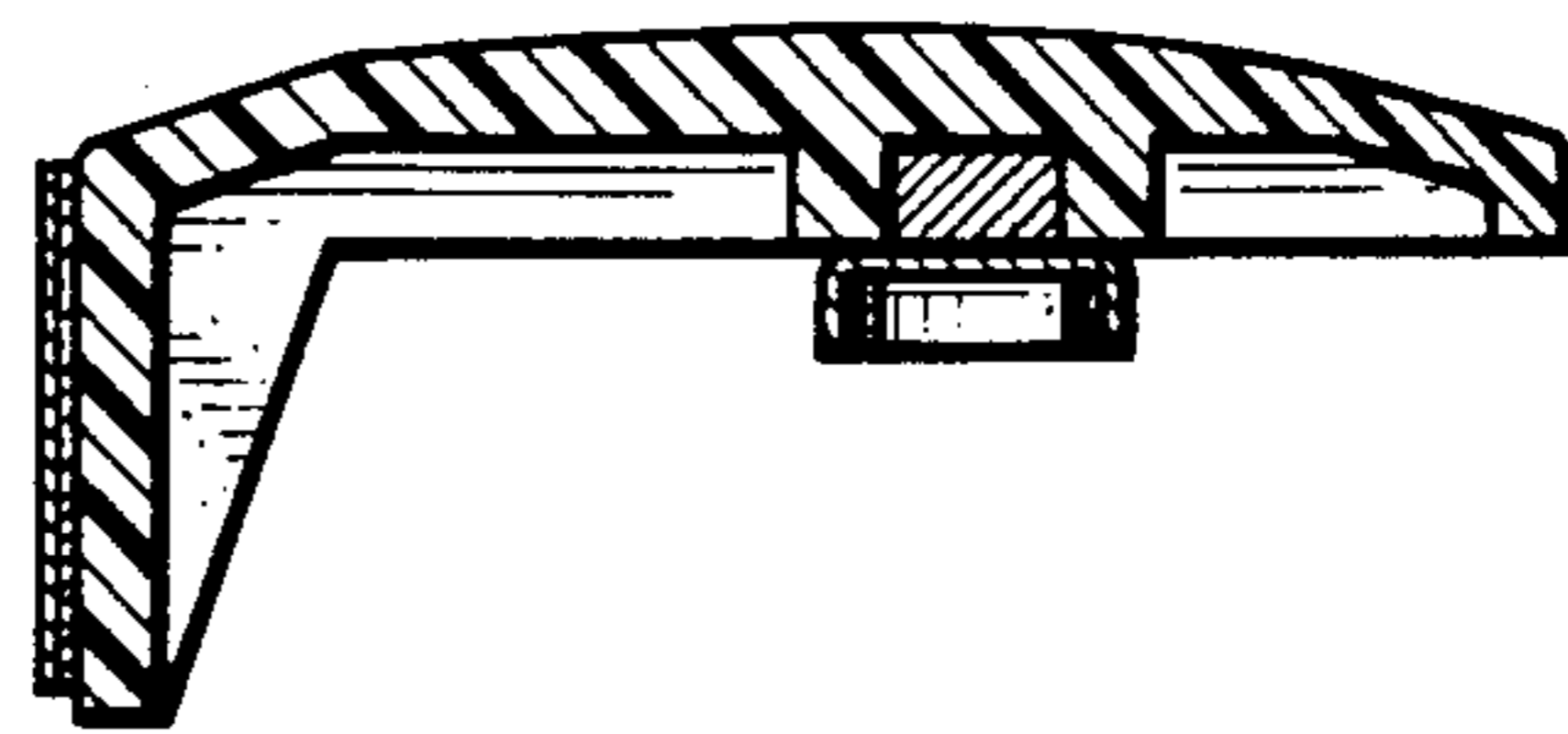


Fig. 6.