

[54] EYEGLOSS FRAME SUPPORT RACK

3,195,731 7/1965 Bomar ..... D6/186

[76] Inventor: Kenneth S. Gordon, 4320 Greer Rd., Woodland Hills, Calif. 91364

OTHER PUBLICATIONS

[\*\*] Term: 14 Years

Smokador Products Cat. 4/1972, ©1973, p. 6, letter tray 1401.

[21] Appl. No.: 921,867

Darling Display Brochure 310, p. 6, base BL206.

[22] Filed: Jul. 3, 1978

Primary Examiner—Wallace R. Burke

Assistant Examiner—B. J. Bullock

Attorney, Agent, or Firm—Lewis Anten

[51] Int. Cl. .... D20—02

[52] U.S. Cl. .... D6/23; D6/28; D6/157; D6/188

[58] Field of Search ..... D6/20, 23-25, D6/27-29, 85, 157, 186, 188; D19/92; 211/13, 126, 128, 133, 74; 248/DIG. 2

[57] CLAIM

The ornamental design for an eyeglass frame support rack, as shown.

[56] References Cited

DESCRIPTION

U.S. PATENT DOCUMENTS

FIG. 1 is a reduced front perspective view of an eyeglass frame support rack showing my new design; FIG. 2 is a side elevational view taken from the right of FIG. 1; FIG. 3 is a bottom view thereof; FIG. 4 is a top view thereof.

D. 206,737	1/1967	Brown	.....	D6/146
D. 250,564	12/1978	Gordon	.....	D6/157
1,443,207	1/1923	Blount	.....	211/74

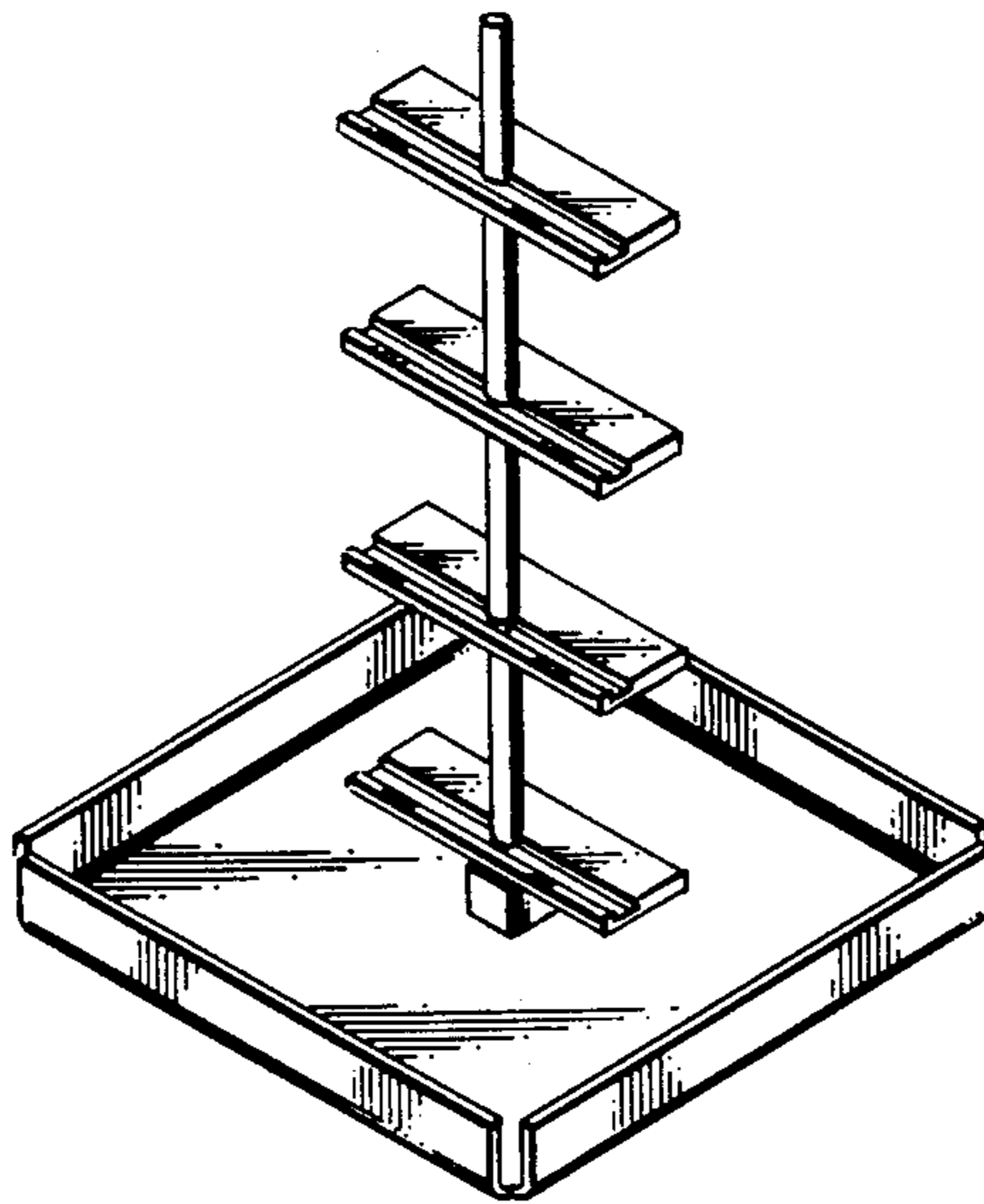


FIG. 1

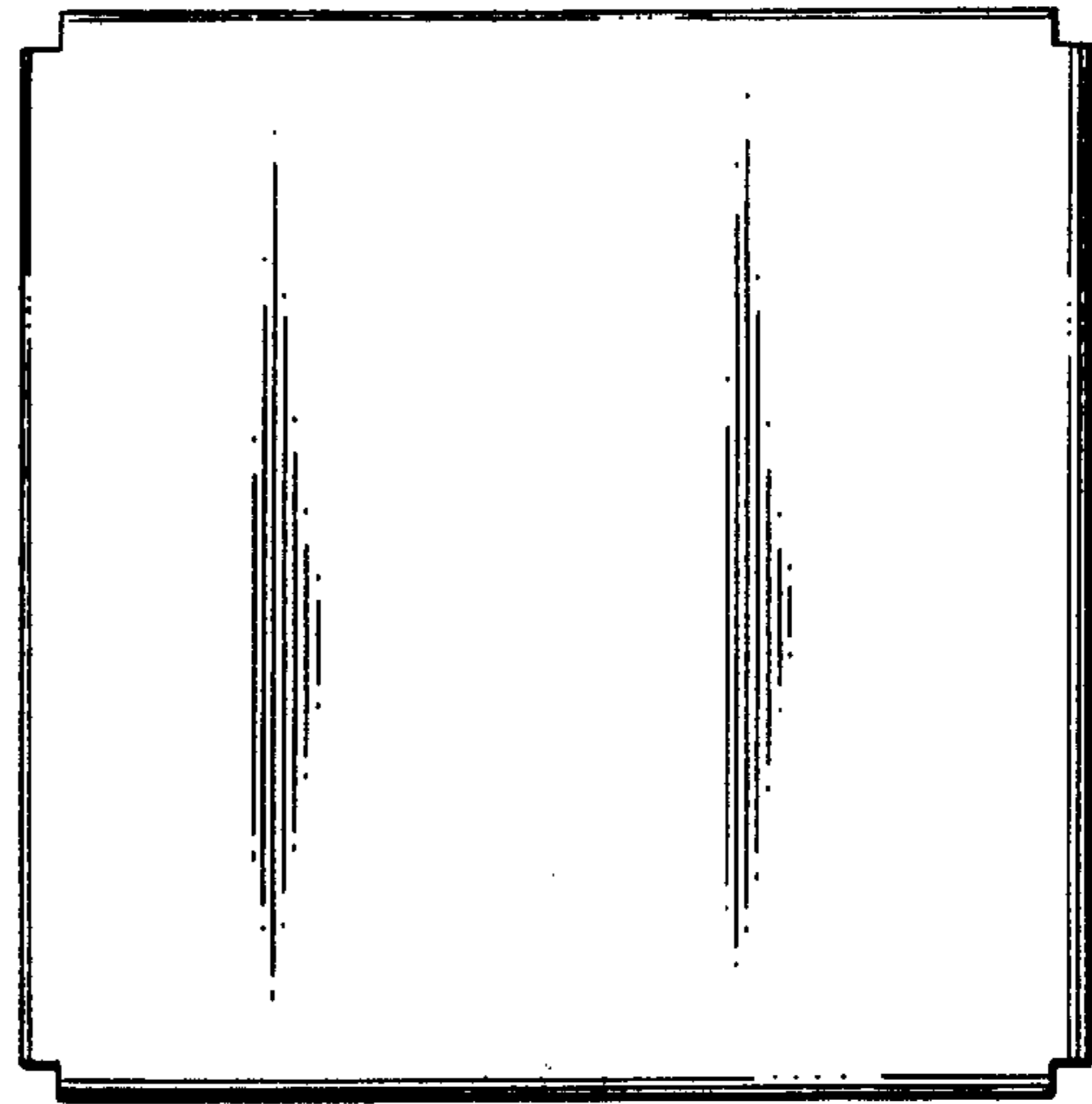
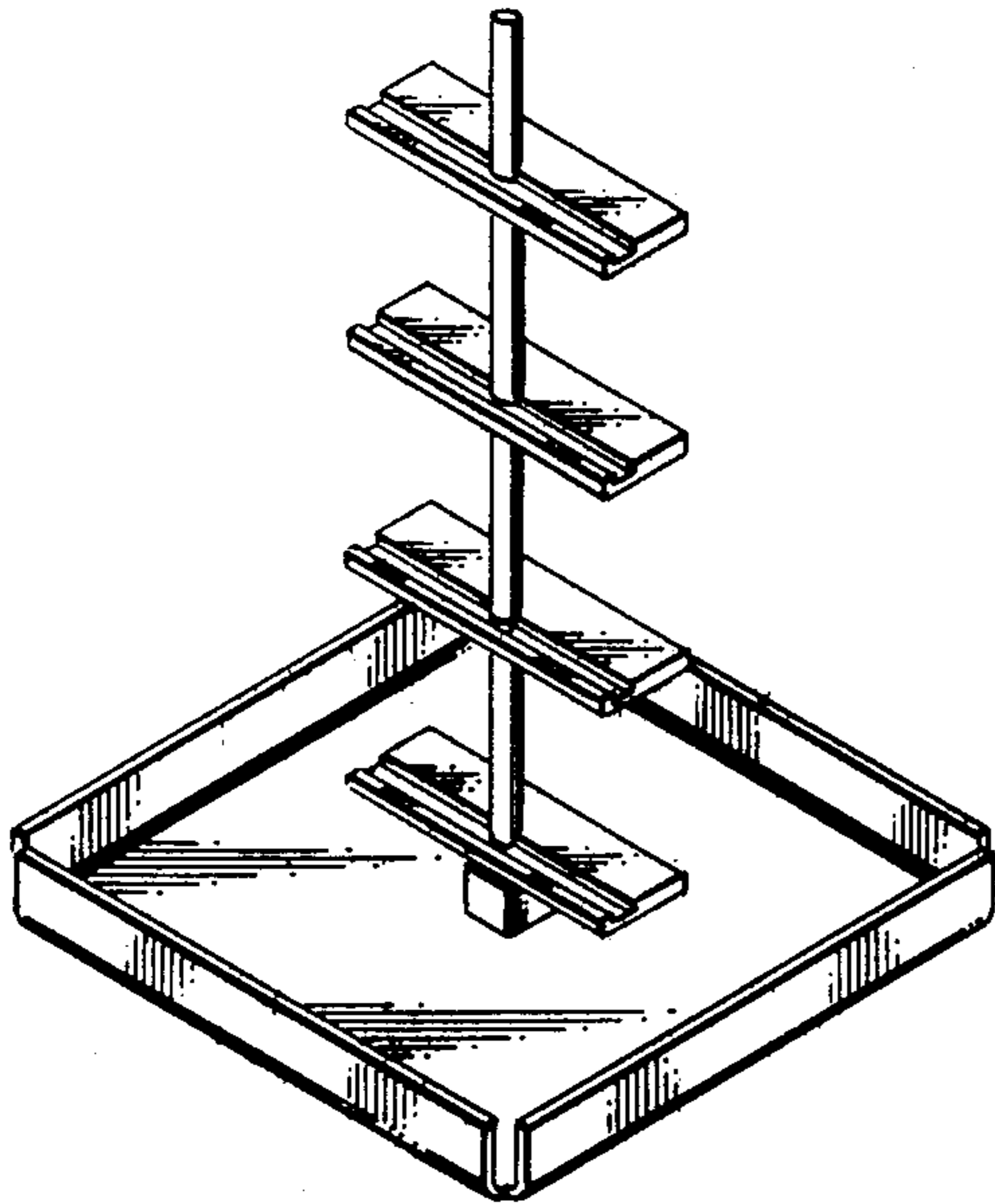


FIG. 3

FIG. 2

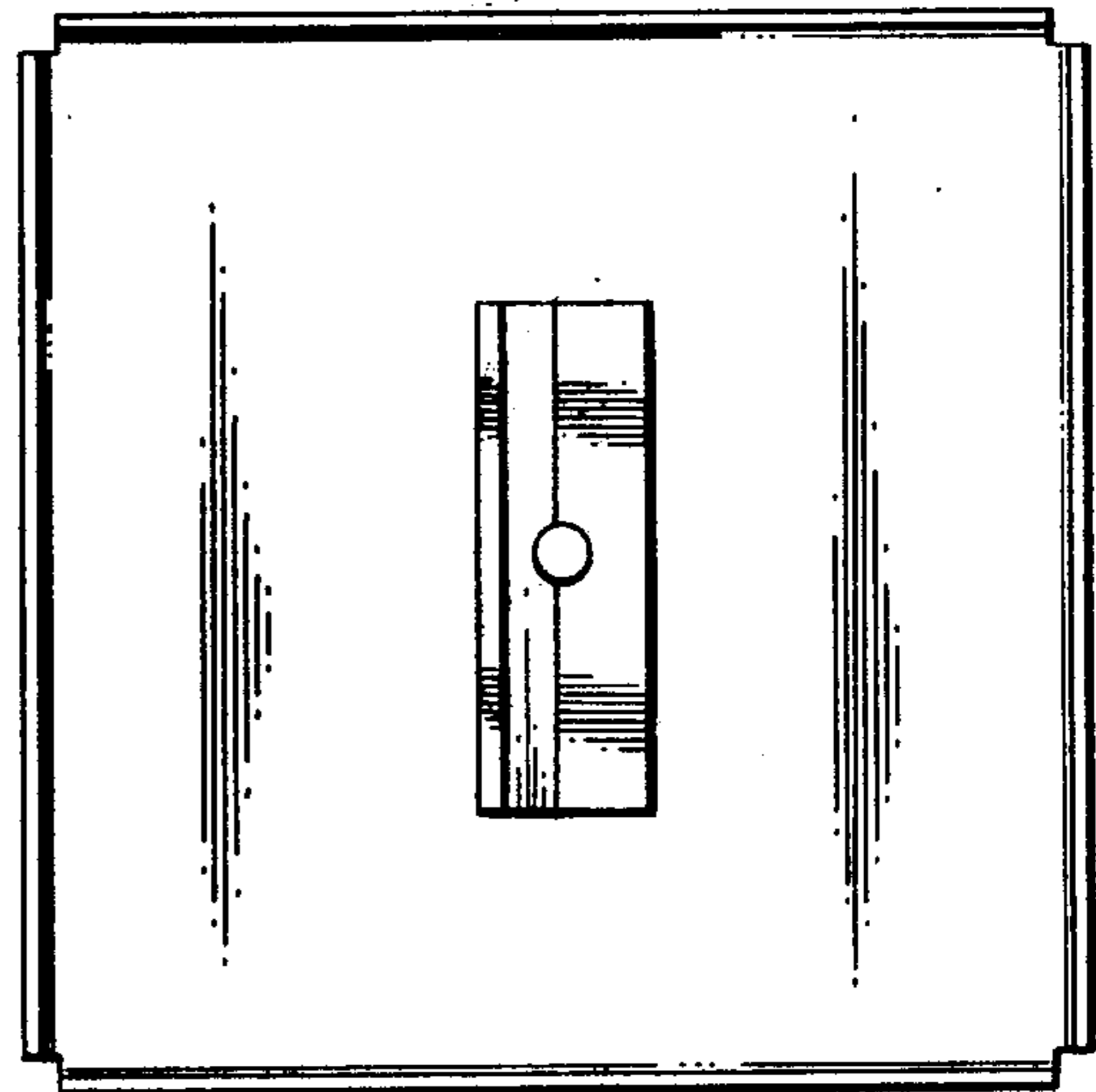
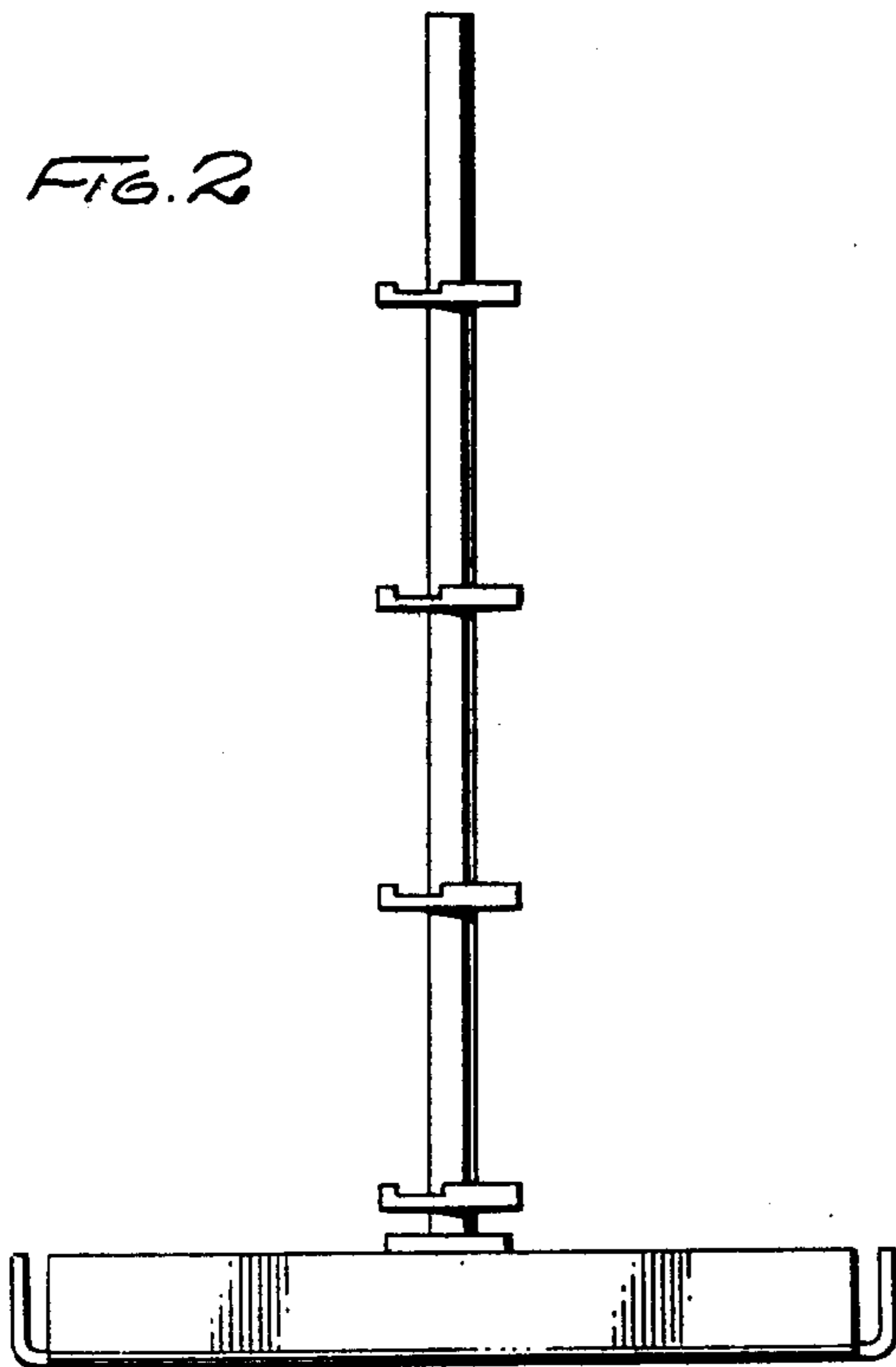


FIG. 4