

[54] **PRINTER**

[75] Inventor: Luigi DiBenedetto, El Segundo, Calif.

[73] Assignee: TRW Inc.

[**] Term: 14 Years

[21] Appl. No.: 806,626

[22] Filed: Jun. 15, 1977

[51] Int. Cl. D18-02

[52] U.S. Cl. D18/13

[58] Field of Search D14/40, 42, 43, 44, D14/45, 50; D64/11 R, 11 B; 101/1; D13/40, 41

[56] **References Cited**

U.S. PATENT DOCUMENTS

D. 195,913	8/1963	Sundberg	D64/11 R X
D. 232,194	7/1974	Conway et al.	D64/11 B
3,369,743	2/1968	Glassman	D64/11 R X

OTHER PUBLICATIONS

Datamation, Jul. 1974, p. 16, Printer.
Soundsciber Brochure, p. 2, Transcriber.

Primary Examiner—Susan J. Lucas
Attorney, Agent, or Firm—W. Robert Spensley

[57] **CLAIM**

The ornamental design for a printer, substantially as shown and described.

DESCRIPTION

FIG. 1 is a front perspective view of a printer showing my new design;

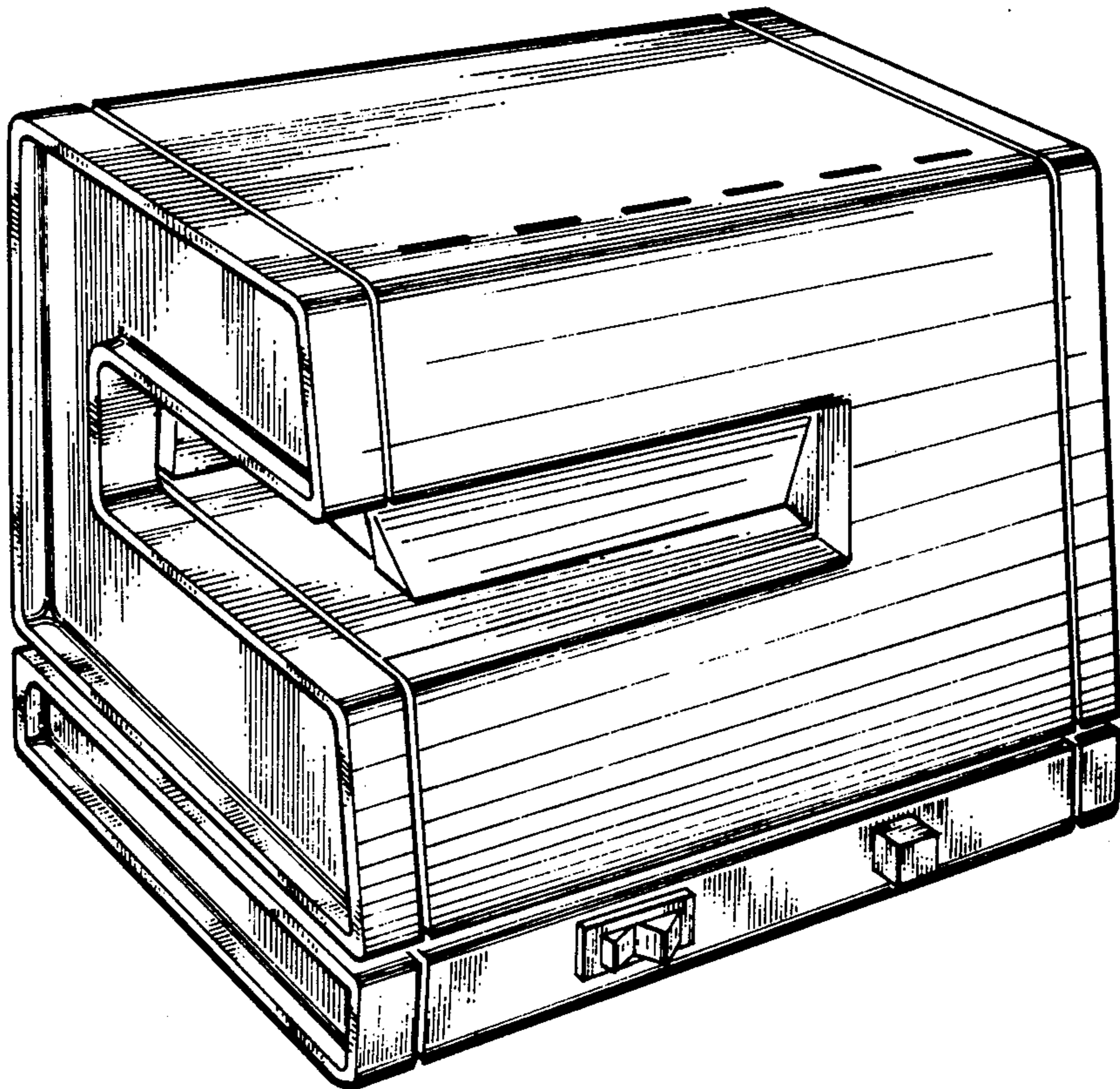
FIG. 2 is a top plan view thereof on an enlarged scale;

FIG. 3 is a front elevation view thereof on an enlarged scale;

FIG. 4 is a rear elevation view thereof on an enlarged scale;

FIG. 5 is a left end view thereof on an enlarged scale; and

FIG. 6 is a right end view thereof on an enlarged scale.



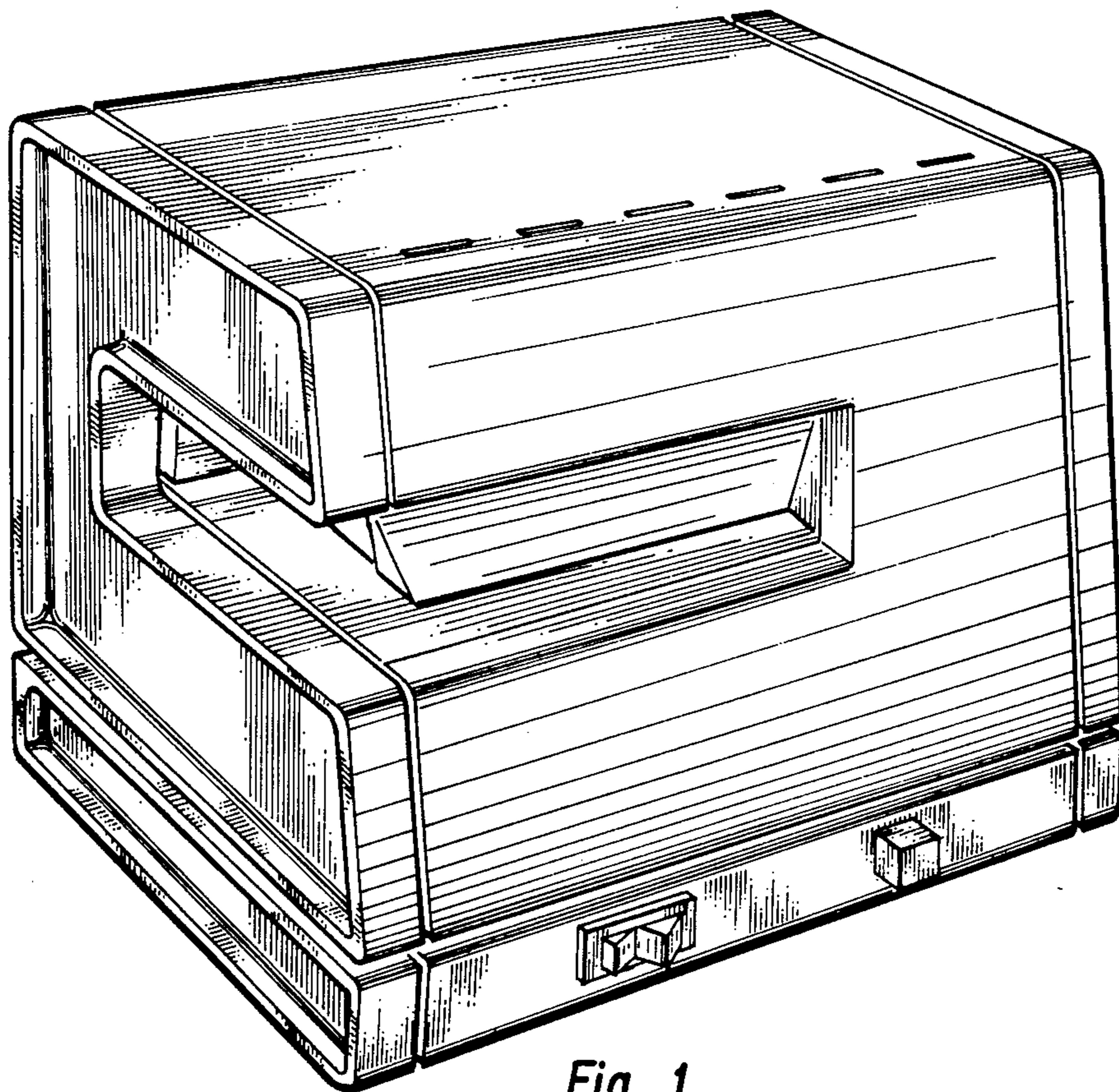


Fig. 1

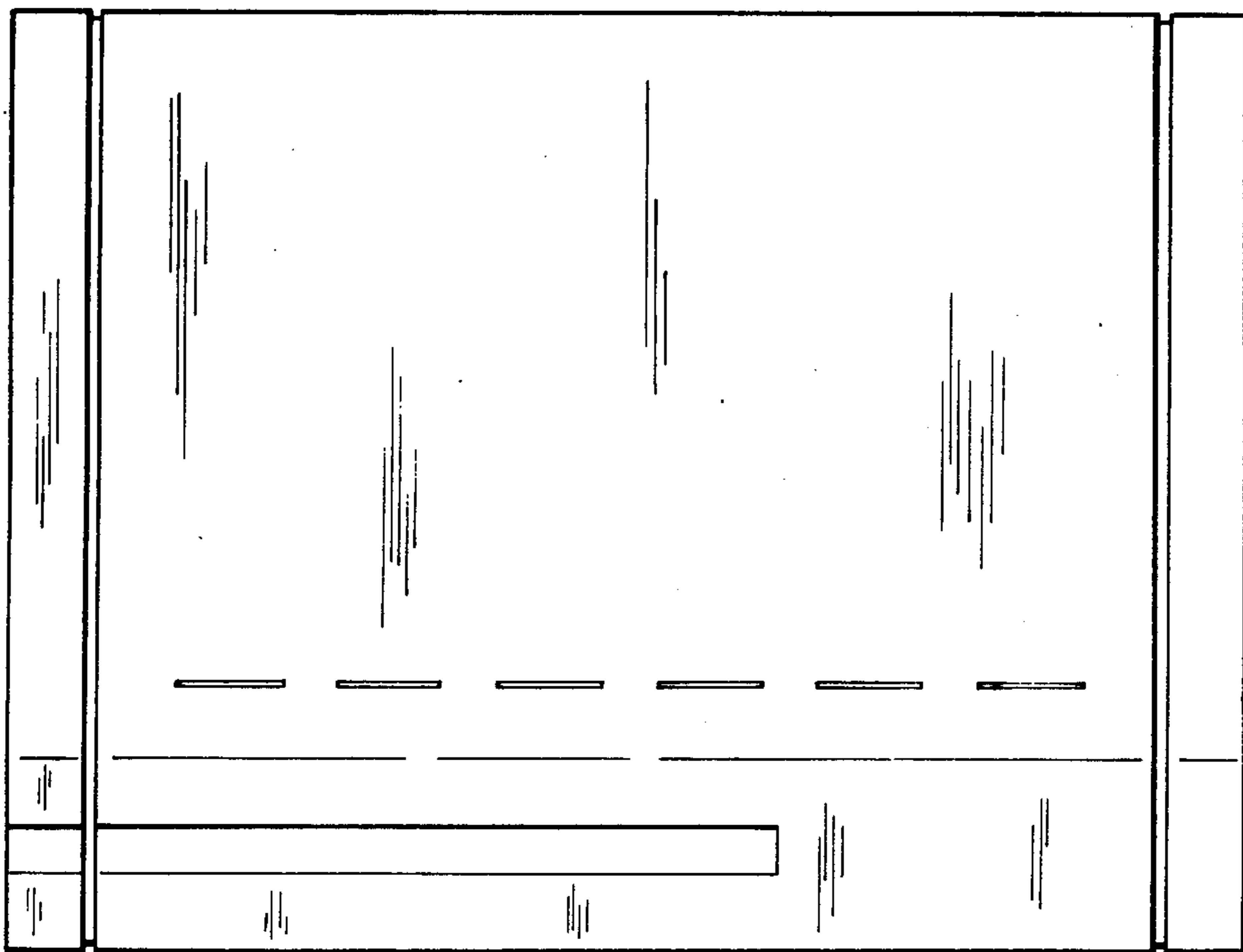


Fig. 2

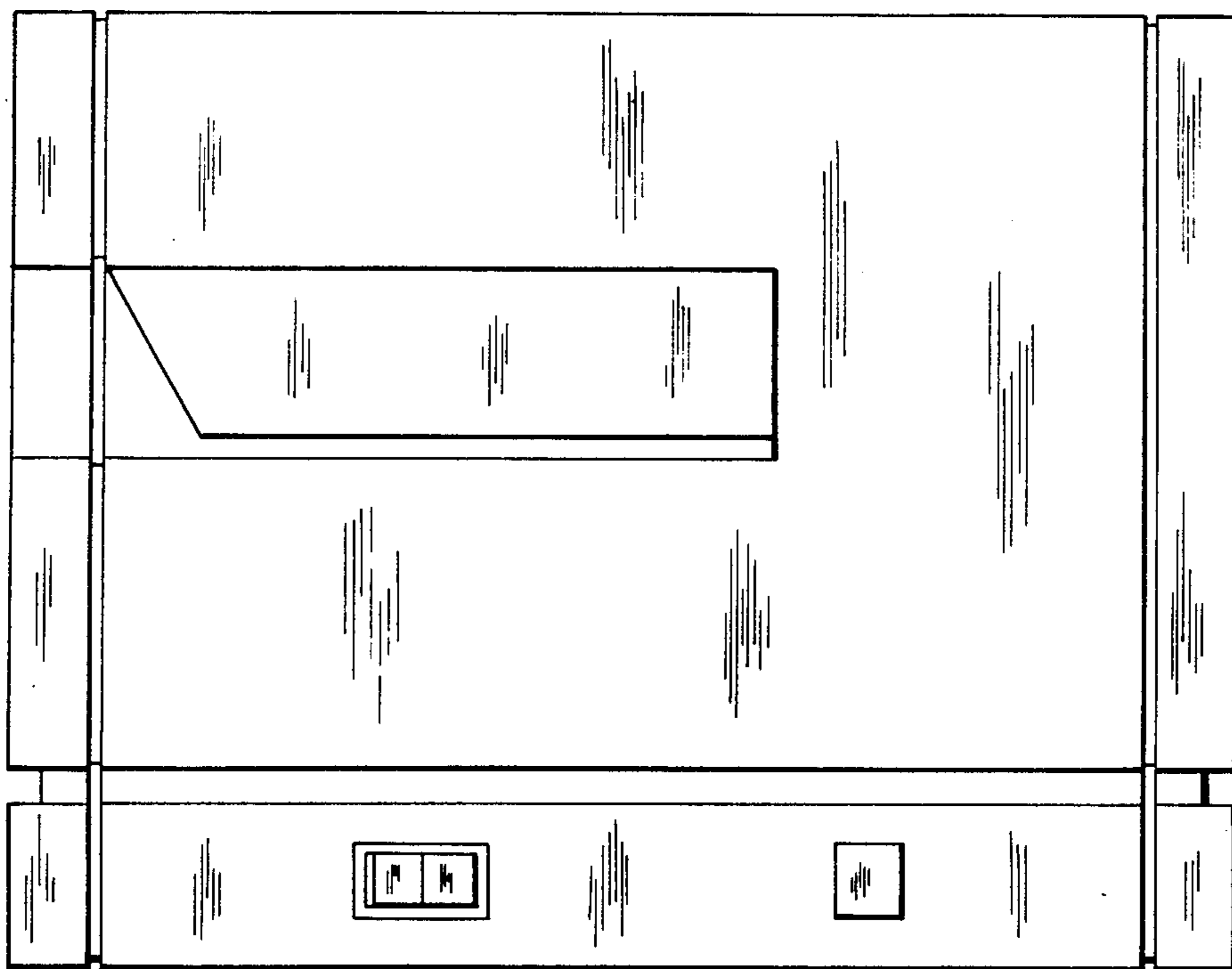


Fig. 3

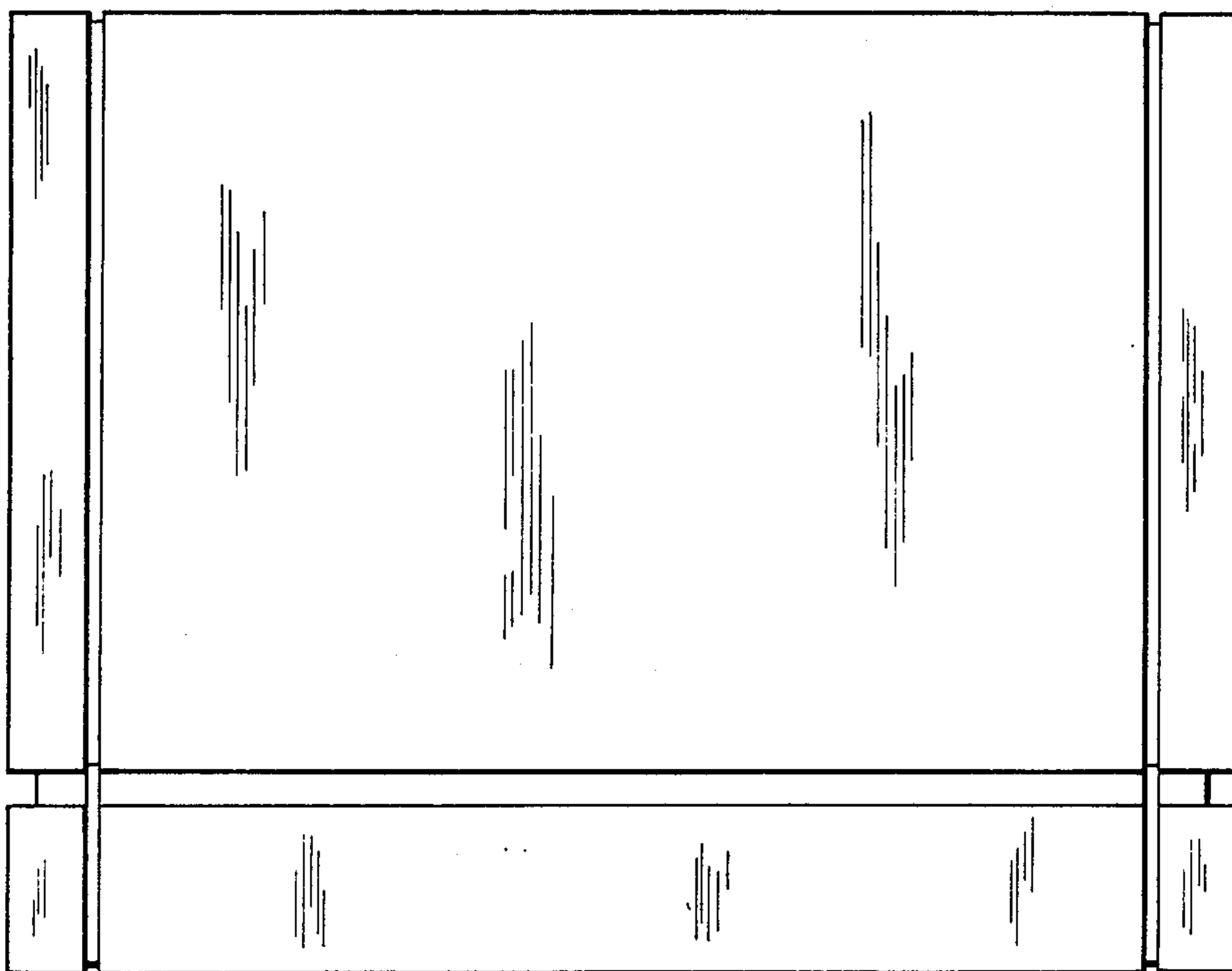


Fig. 4

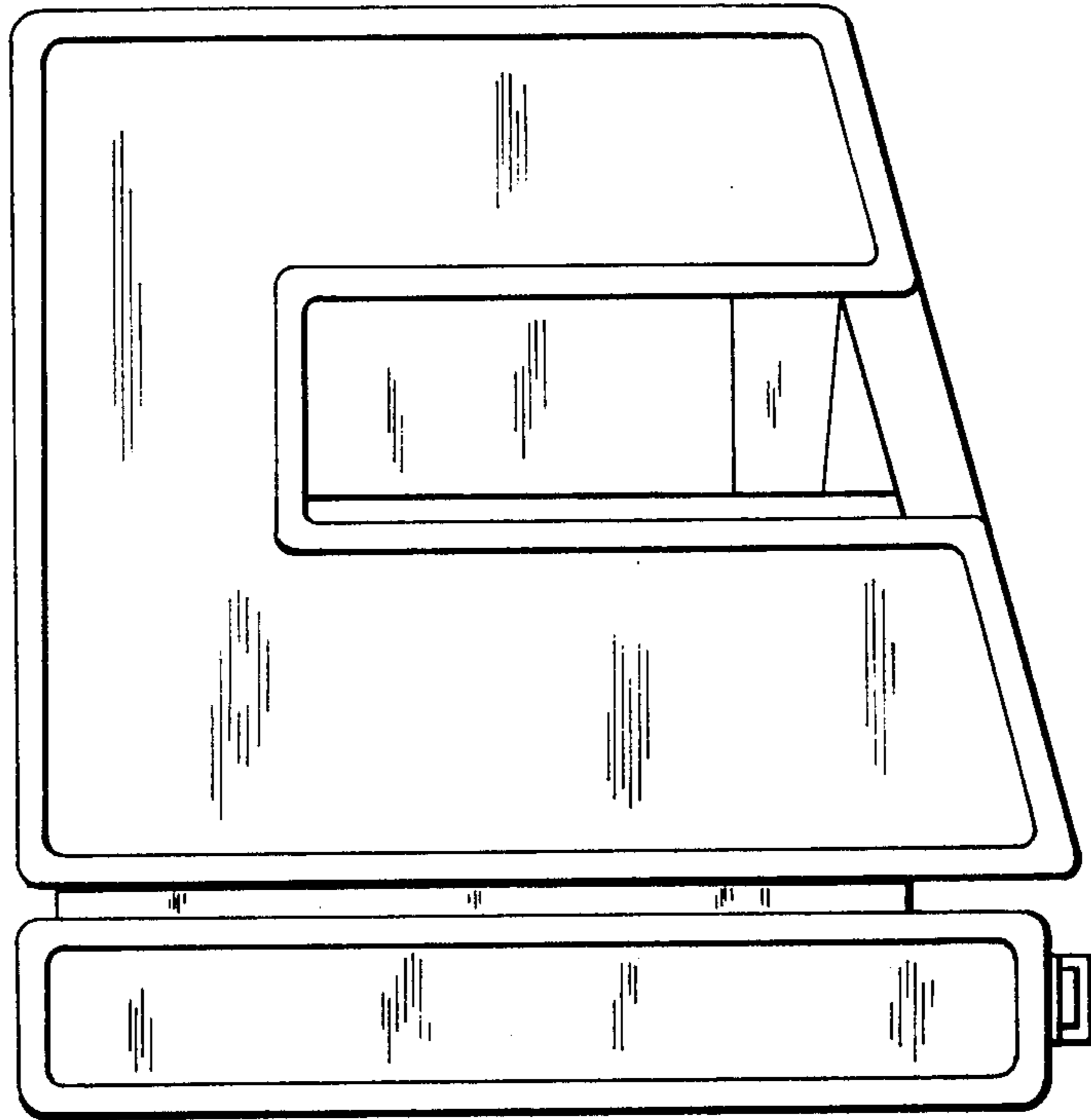


Fig. 5

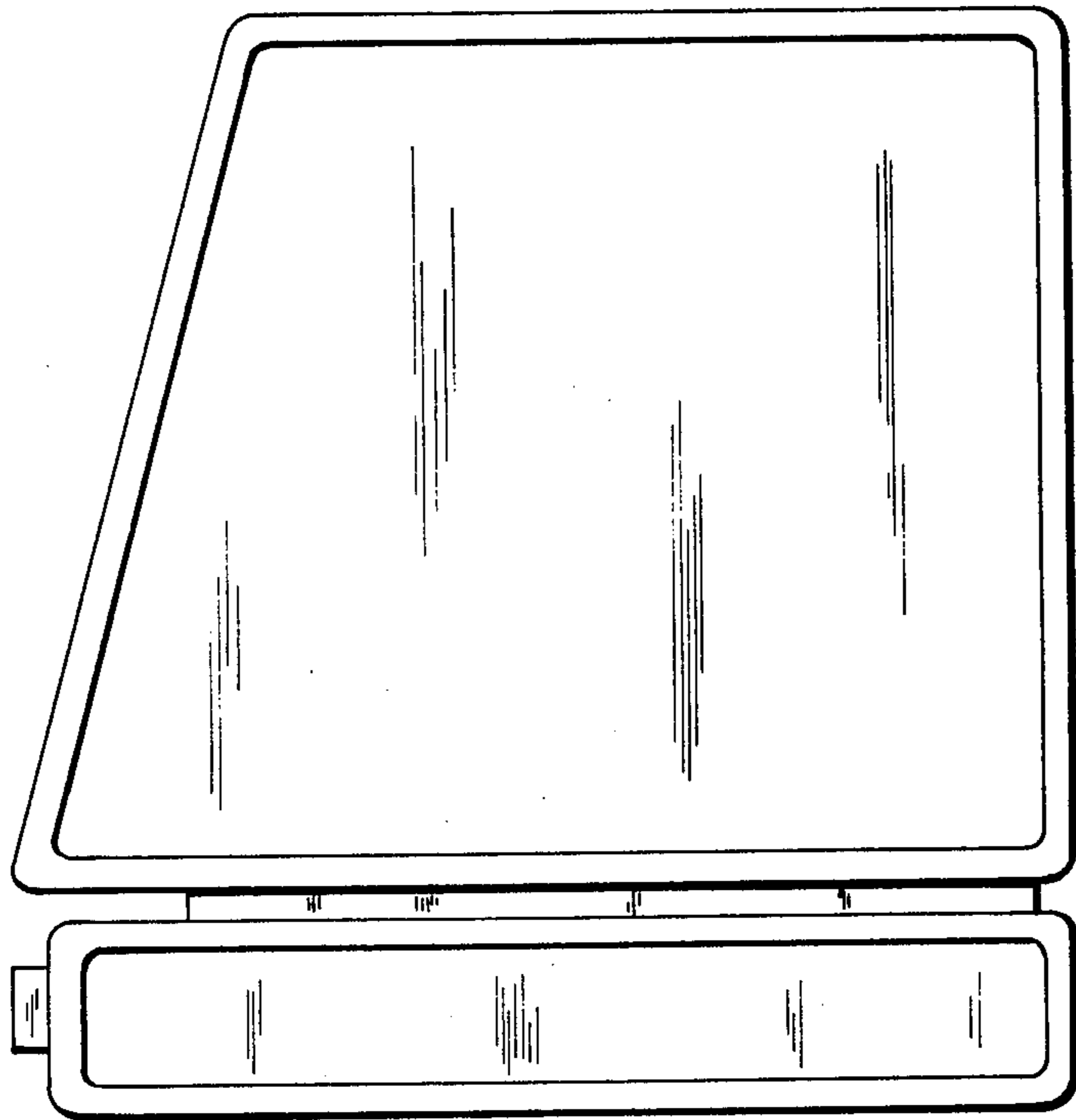


Fig. 6