

[54] **COMBINED POLE LAMP AND PLANTER**
[76] Inventor: **Charles T. Wise**, 209 Magnolia Ave., Pasadena, Md. 21122

3,065,785 11/1962 Taber D48/20 A X
3,906,664 9/1975 Hall 47/66

[**] Term: **14 Years**

Primary Examiner—Susan J. Lucas
Attorney, Agent, or Firm—Walter G. Finch

[21] Appl. No.: **833,580**

[57] **CLAIM**

[22] Filed: **Sep. 15, 1977**

The ornamental design for a combined pole lamp and planter, as shown and described.

[51] Int. Cl. **D26—05**

DESCRIPTION

[52] U.S. Cl. **D48/20 D**

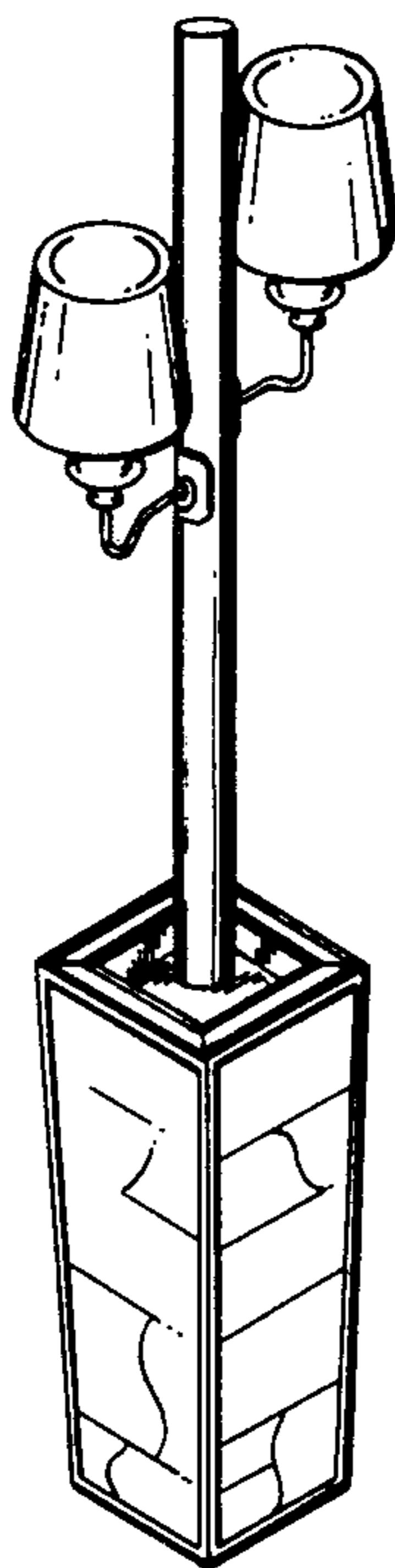
[58] Field of Search D48/20 D, 20 A;
D11/143, 144; 362/431, 410, 413, 412, 154, 153,
806, 101; 47/66, 67, 69, 72, 41 R; D6/137, 182

FIG. 1 is a perspective view of a combined pole lamp and planter incorporating my new design;
FIG. 2 is a left side elevational view thereof;
FIG. 3 is a fragmentary front elevational view thereof, the planter being broken away for purposes of disclosure; and
FIG. 4 is a cross section taken along line 4—4 of FIG. 2.

[56] **References Cited**

U.S. PATENT DOCUMENTS

1,419,152 6/1922 Lansing et al. 362/122 X



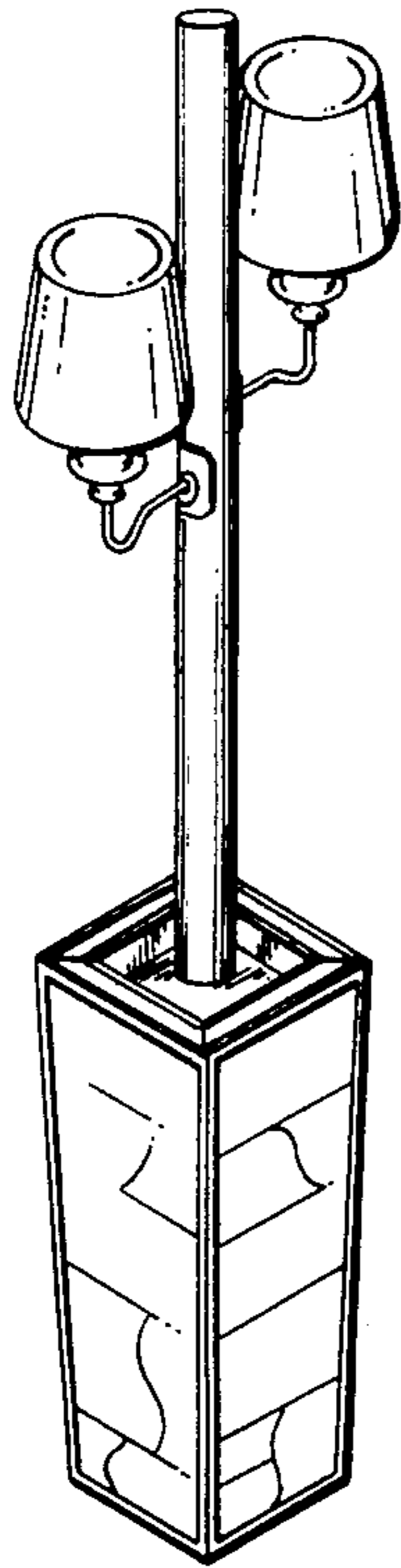


FIG. 1

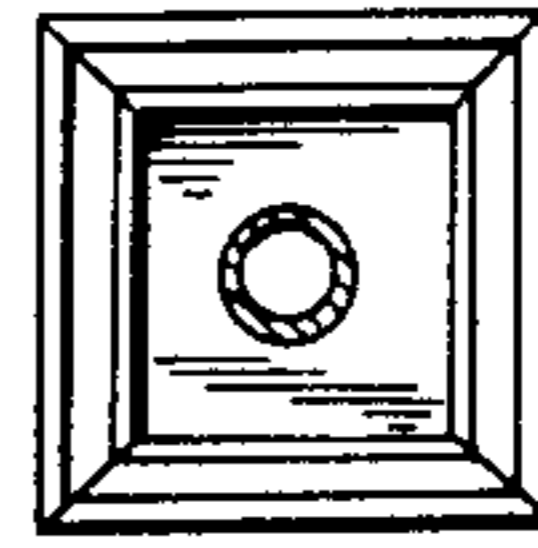


FIG. 4

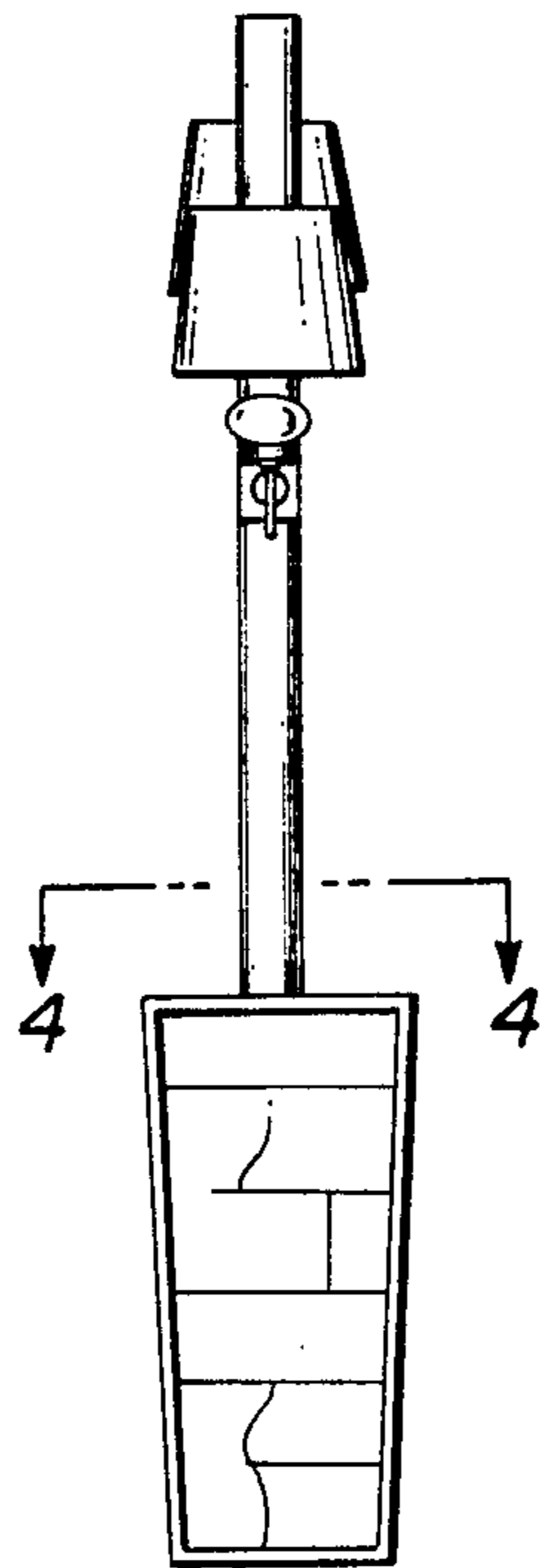


FIG. 2

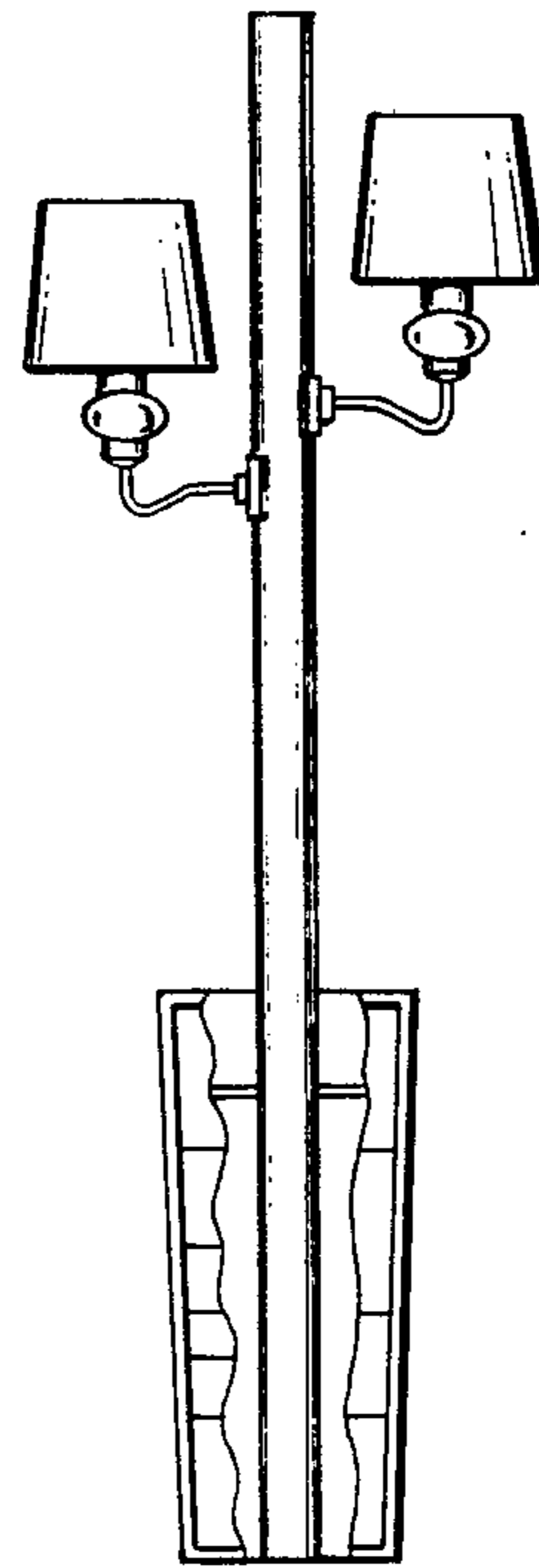


FIG. 3