

[54] TOY CONSTRUCTION PIECE

[75] Inventor: Hiroyuki Hida, Tokyo, Japan

[73] Assignee: Mitsubishi Pencil Co. Ltd., Tokyo, Japan

[**] Term: 14 Years

[21] Appl. No.: 657,255

[22] Filed: Feb. 11, 1976

[30] Foreign Application Priority Data

Aug. 30, 1975 [JP]	Japan	50-35106
Aug. 30, 1975 [JP]	Japan	50-35108
Aug. 30, 1975 [JP]	Japan	50-35110

[51] Int. Cl. D21-01

[52] U.S. Cl. D21/108

[58] Field of Search D34/15 GG; 46/16, 23, 46/25, 26, 27, 28, 29, 30, 31

[56] References Cited

U.S. PATENT DOCUMENTS

D. 243,204	1/1977	Molenaar	D34/15 GG
3,162,973	12/1964	Christiansen	D34/15 GG
3,730,336	5/1973	Feldman	46/25

OTHER PUBLICATIONS

Registreringstidning för Mönster, 8-11-1972, M592, 1972, Construction Piece at NR. 1.

Primary Examiner—Joel Stearman
Assistant Examiner—Charles A. Rademaker
Attorney, Agent, or Firm—Otto John Munz

[57] CLAIM

The ornamental design for a toy construction piece, as shown and described.

DESCRIPTION

FIG. 1 is a perspective view of a toy construction piece in an exploded condition showing my new design;
 FIG. 2 is a top plan view thereof in a closed condition shown on a slightly reduced scale;
 FIG. 3 is a front elevational view thereof;
 FIG. 4 is a right side elevational view thereof;
 FIG. 5 is a front elevational view of the right side element of FIG. 1;
 FIG. 6 is a left side elevational view thereof;
 FIG. 7 is a cross-sectional view thereof taken along line A—A in FIG. 5;
 FIG. 8 is a bottom plan view thereof;
 FIG. 9 is a front elevational view of the left side element shown in FIG. 1;
 FIG. 10 is a right side elevational view thereof;
 FIG. 11 is a cross-sectional view thereof taken along line B—B in FIG. 9; and
 FIG. 12 is a bottom plan view thereof.

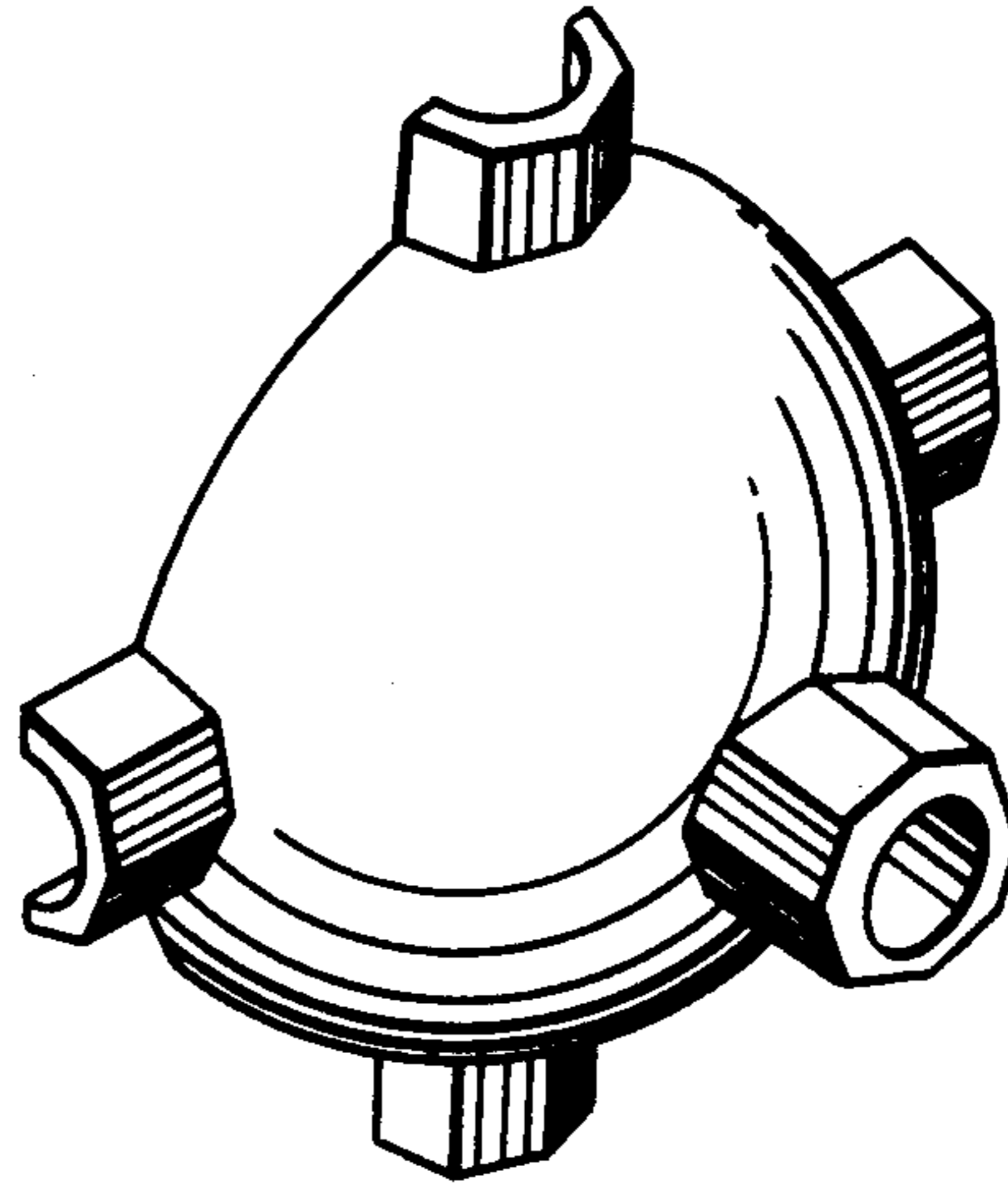
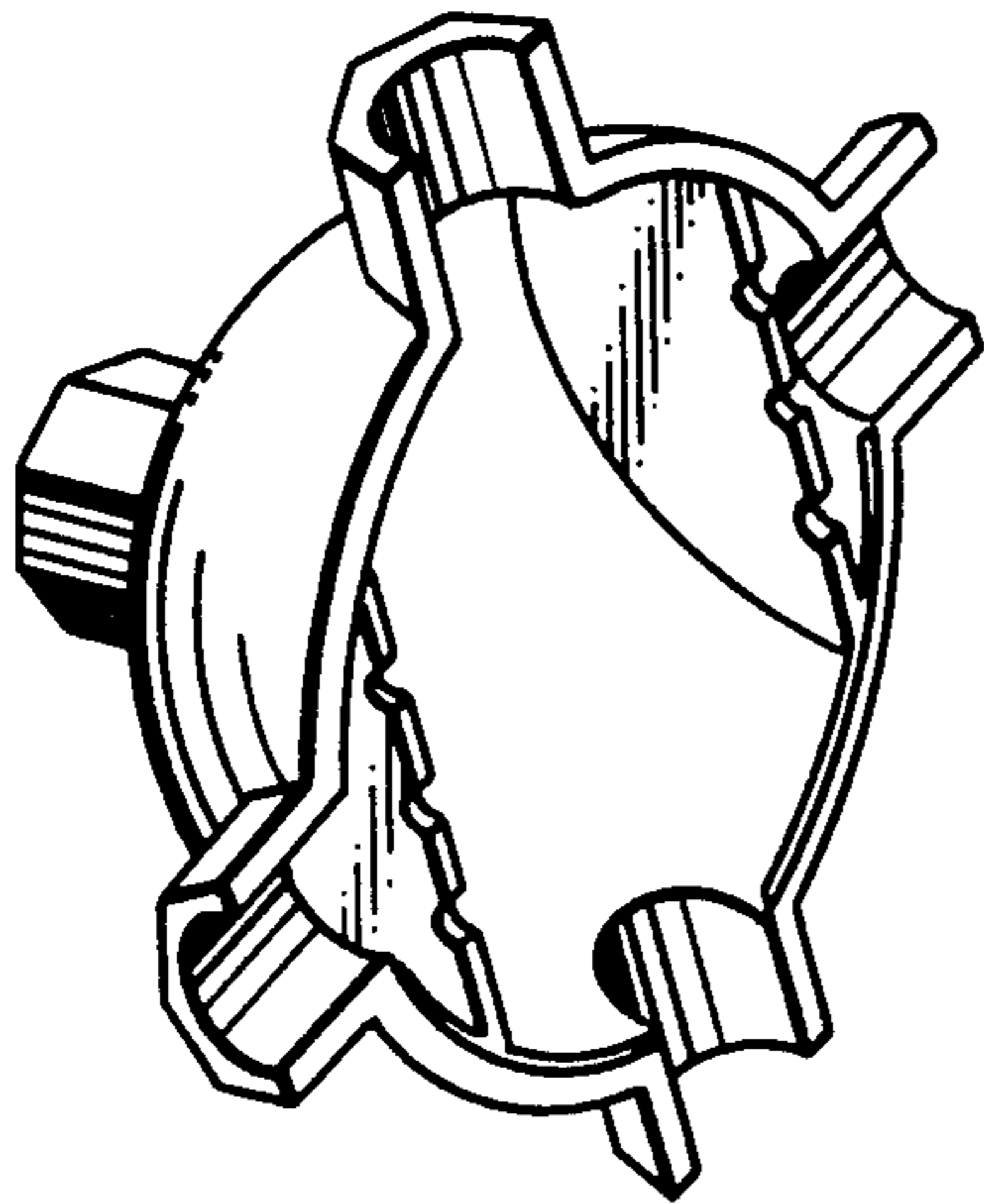


FIG. 2

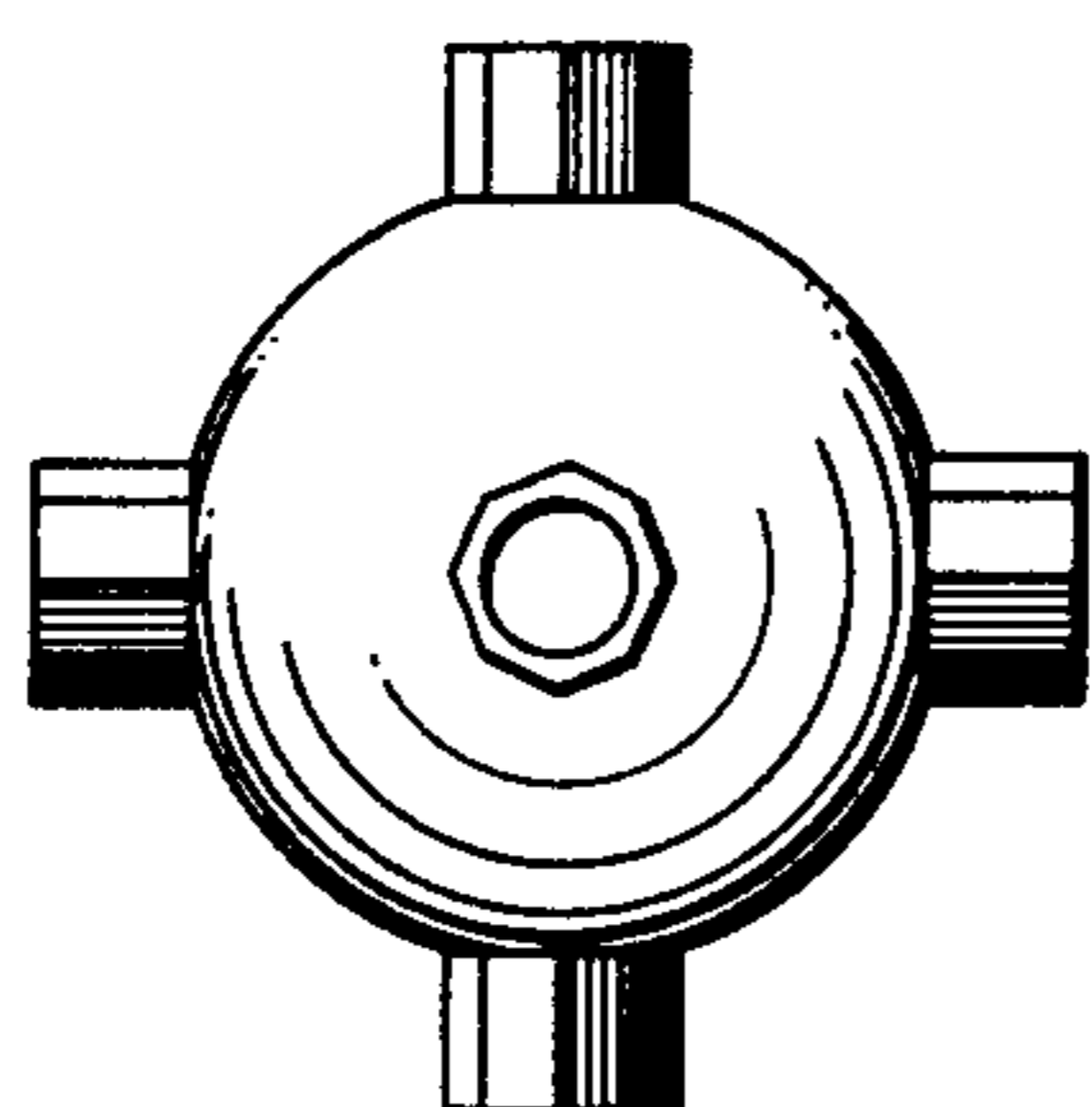


FIG. 3

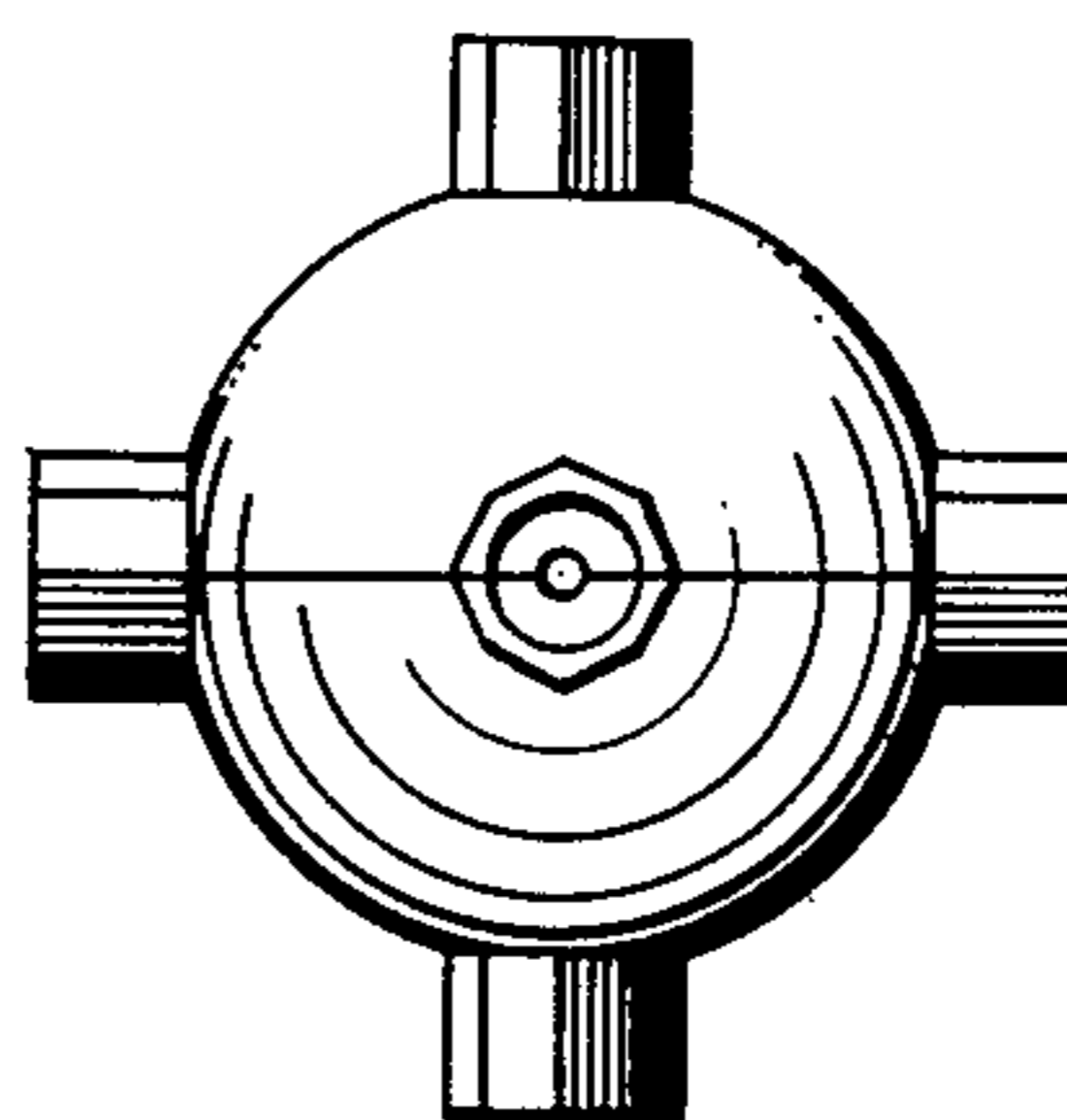


FIG. 4

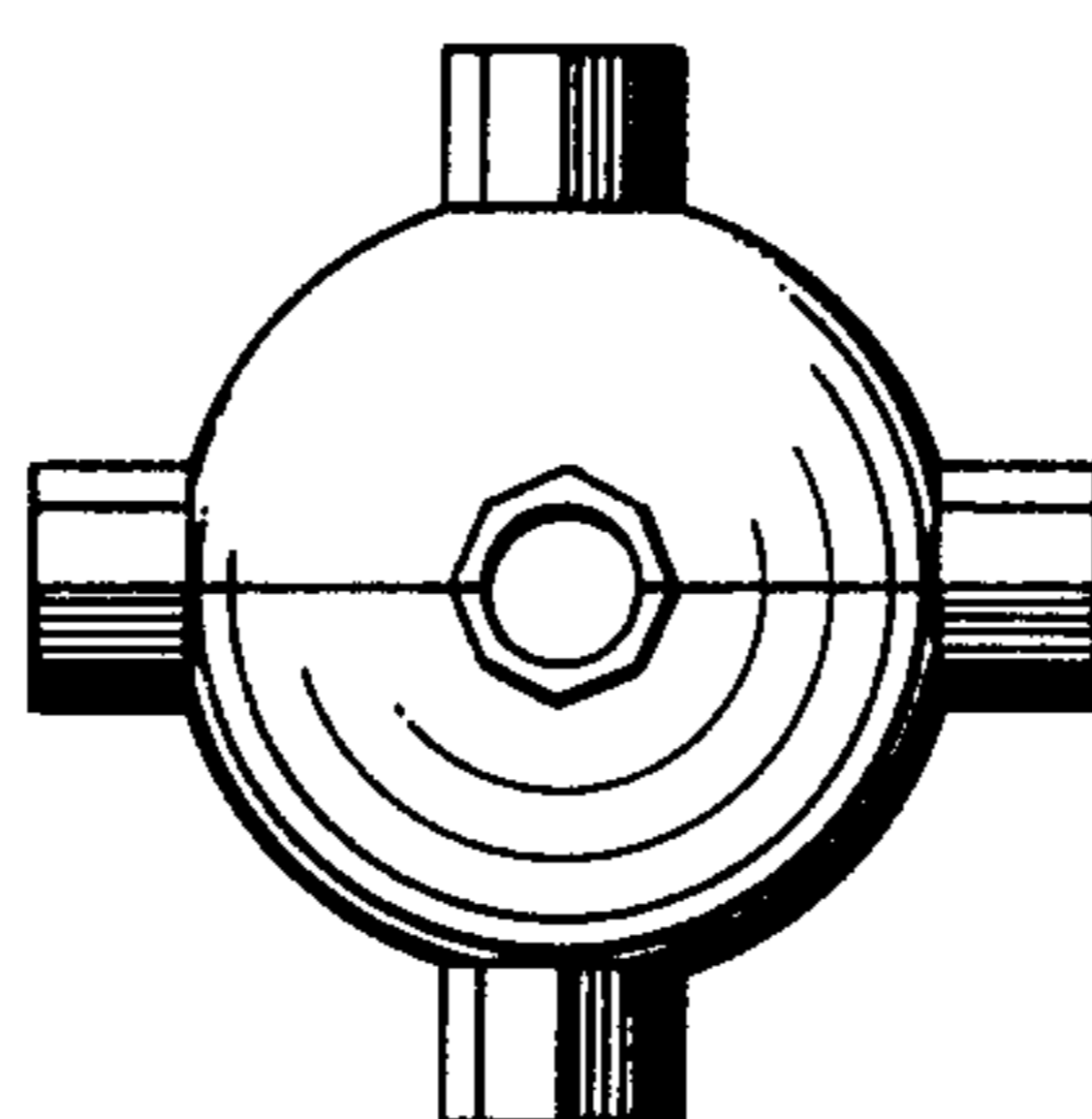


FIG. 1

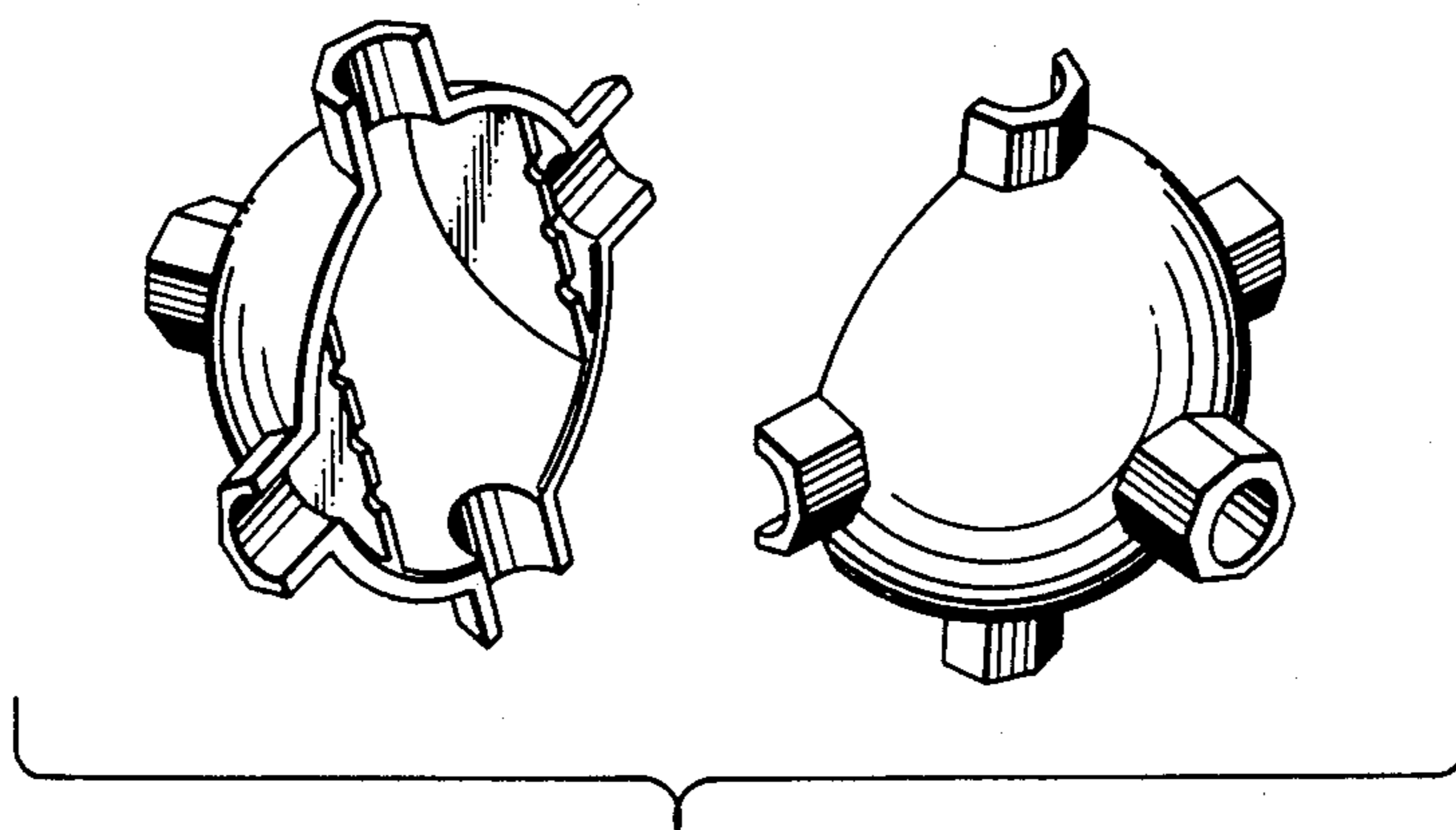


FIG. 5

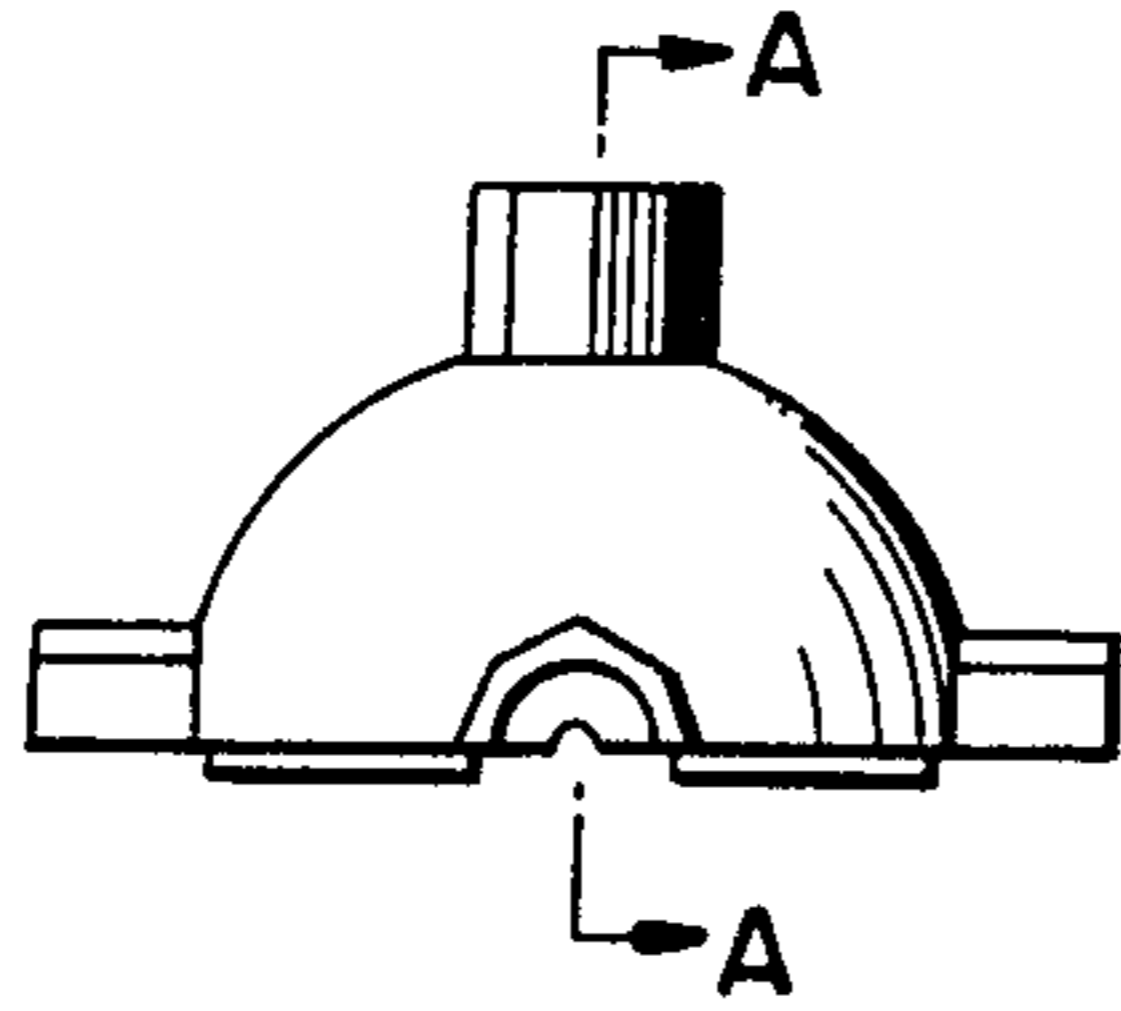


FIG. 6

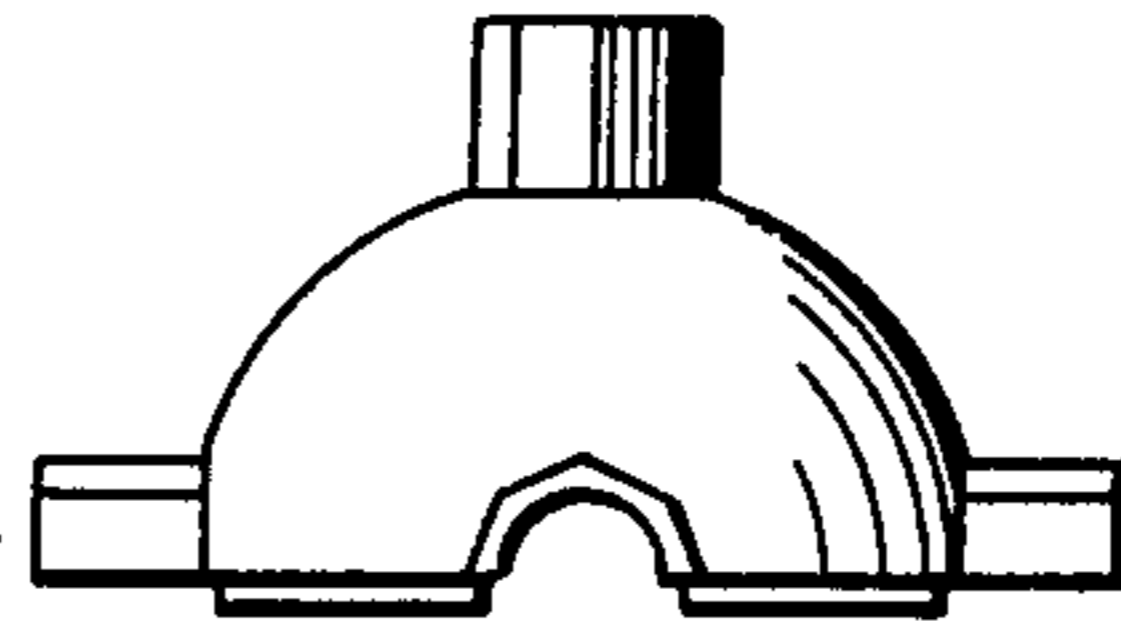


FIG. 7

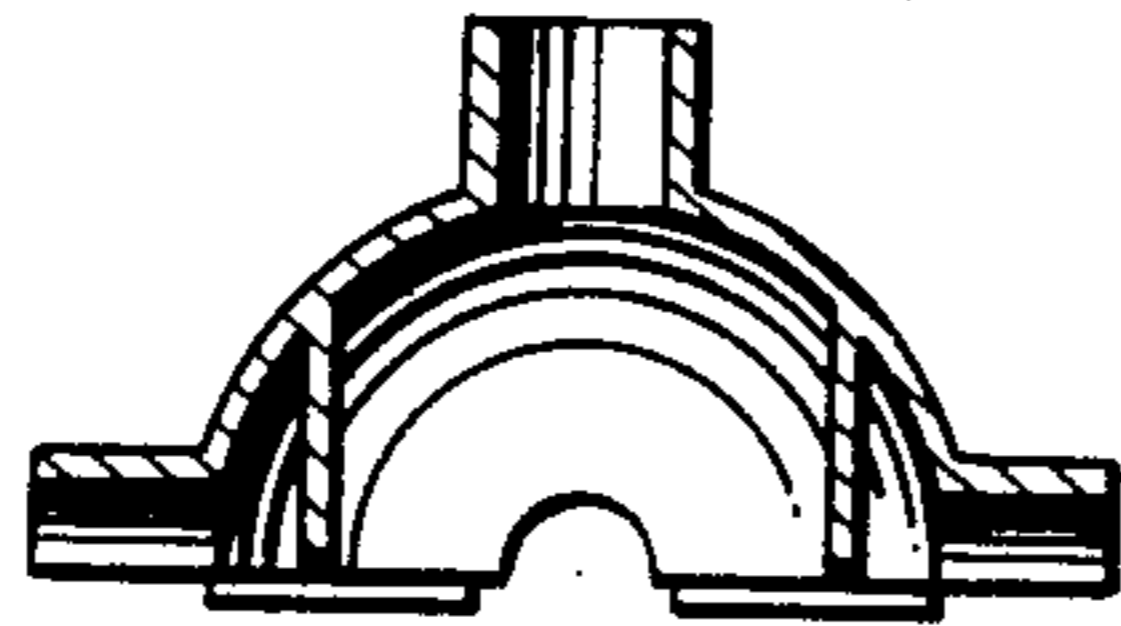


FIG. 8

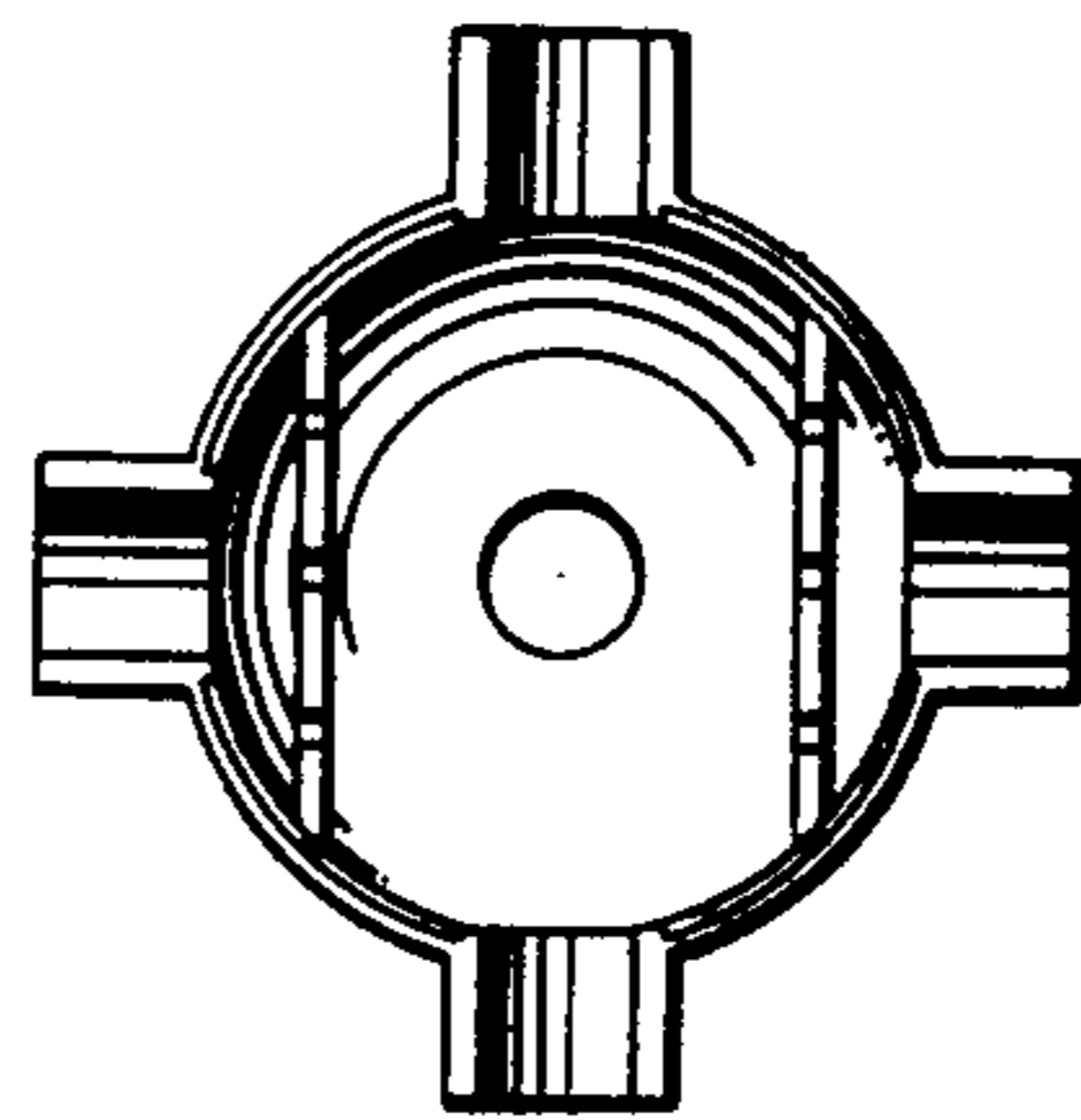


FIG. 9

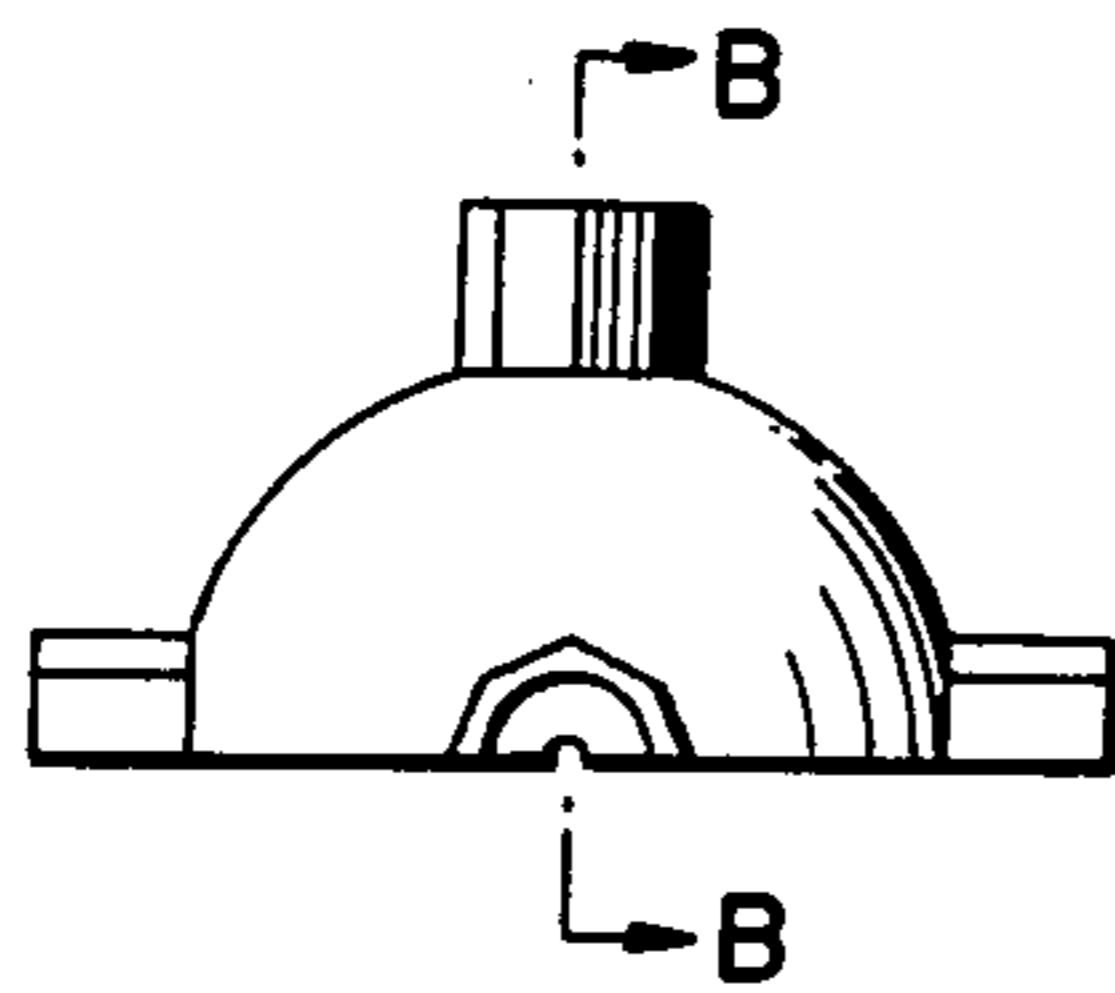


FIG. 10

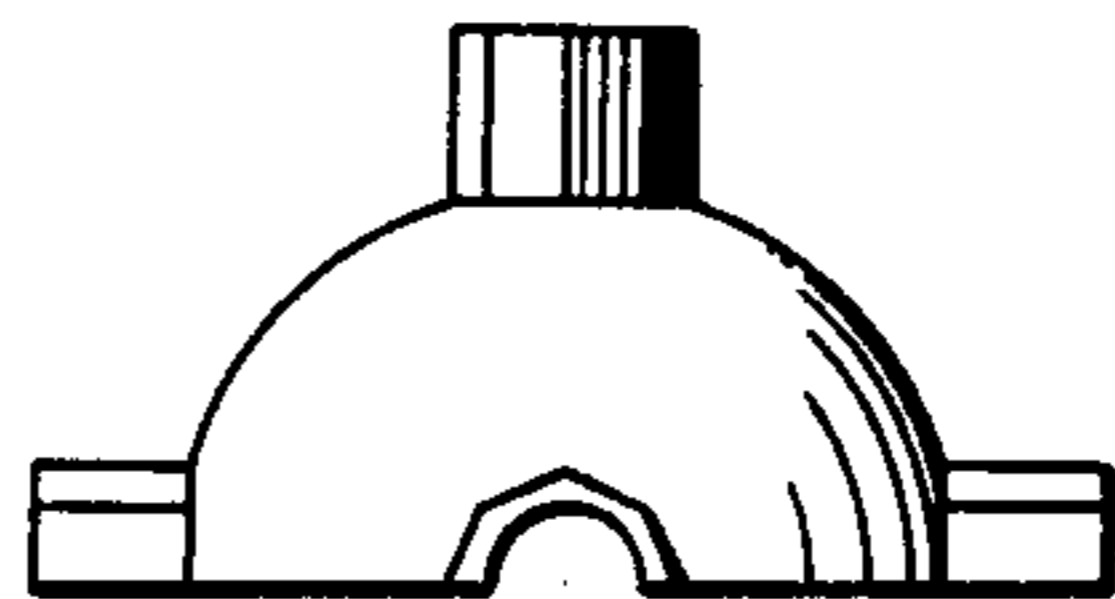


FIG. 11

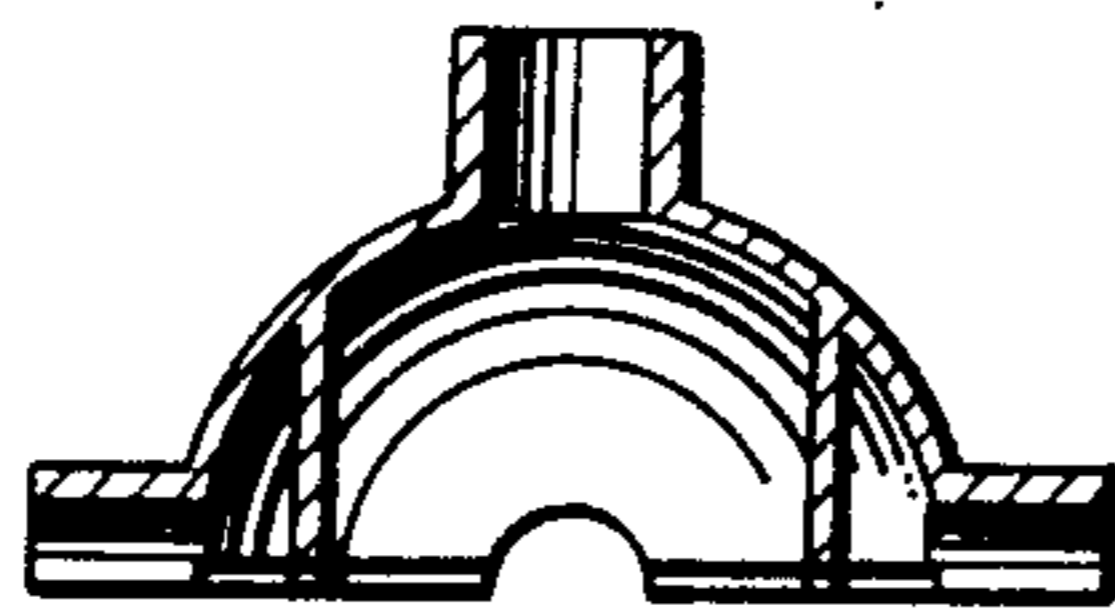


FIG. 12

