

[54] PINBALL GAME CABINET

[56]

References Cited

U.S. PATENT DOCUMENTS

[75] Inventor: Edward B. Bretschger, Cos Cob, Conn.

2,610,058 9/1952 Hooker ..... 273/121 A  
3,627,318 1/1969 Garbury et al. .... 273/121 A

[73] Assignee: Louis Marx & Co., Inc., Stamford, Conn.

Primary Examiner—Melvin B. Feifer  
Attorney, Agent, or Firm—Alex Friedman

[\*\*] Term: 14 Years

[57]

CLAIM

The ornamental design for a pinball game cabinet, as shown.

[21] Appl. No.: 876,793

DESCRIPTION

[22] Filed: Feb. 10, 1978

FIG. 1 is a perspective view of a pinball game cabinet showing my new design;

FIG. 2 is a top plan view thereof;

FIG. 3 is an elevational view of the side opposite that shown in FIG. 1;

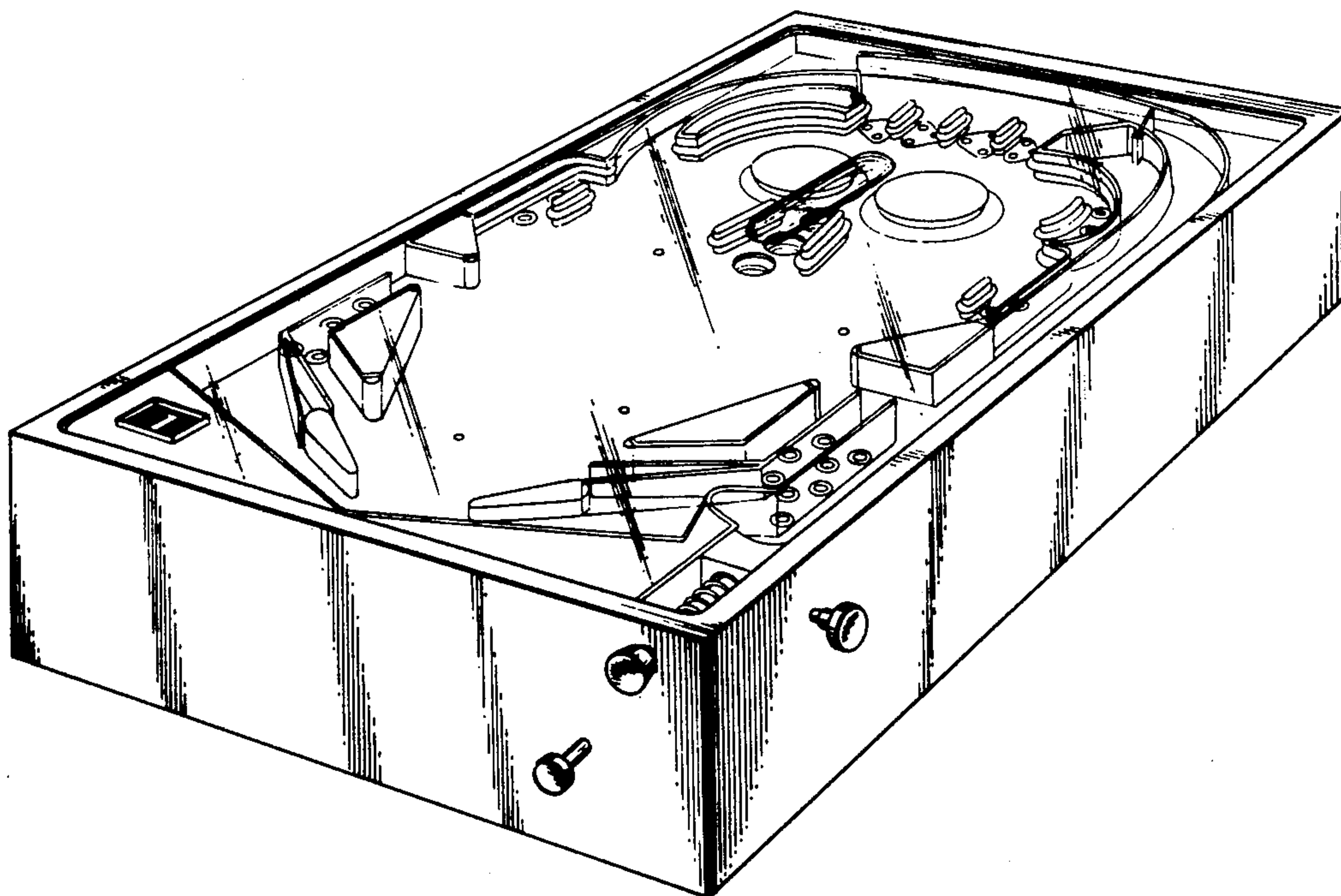
FIG. 4 is a front elevational view thereof; and

FIG. 5 is a rear elevational view thereof.

[51] Int. Cl. .... D21—01

[52] U.S. Cl. .... D21/9

[58] Field of Search ..... D34/5 JJ; 273/121 A, 273/121 R



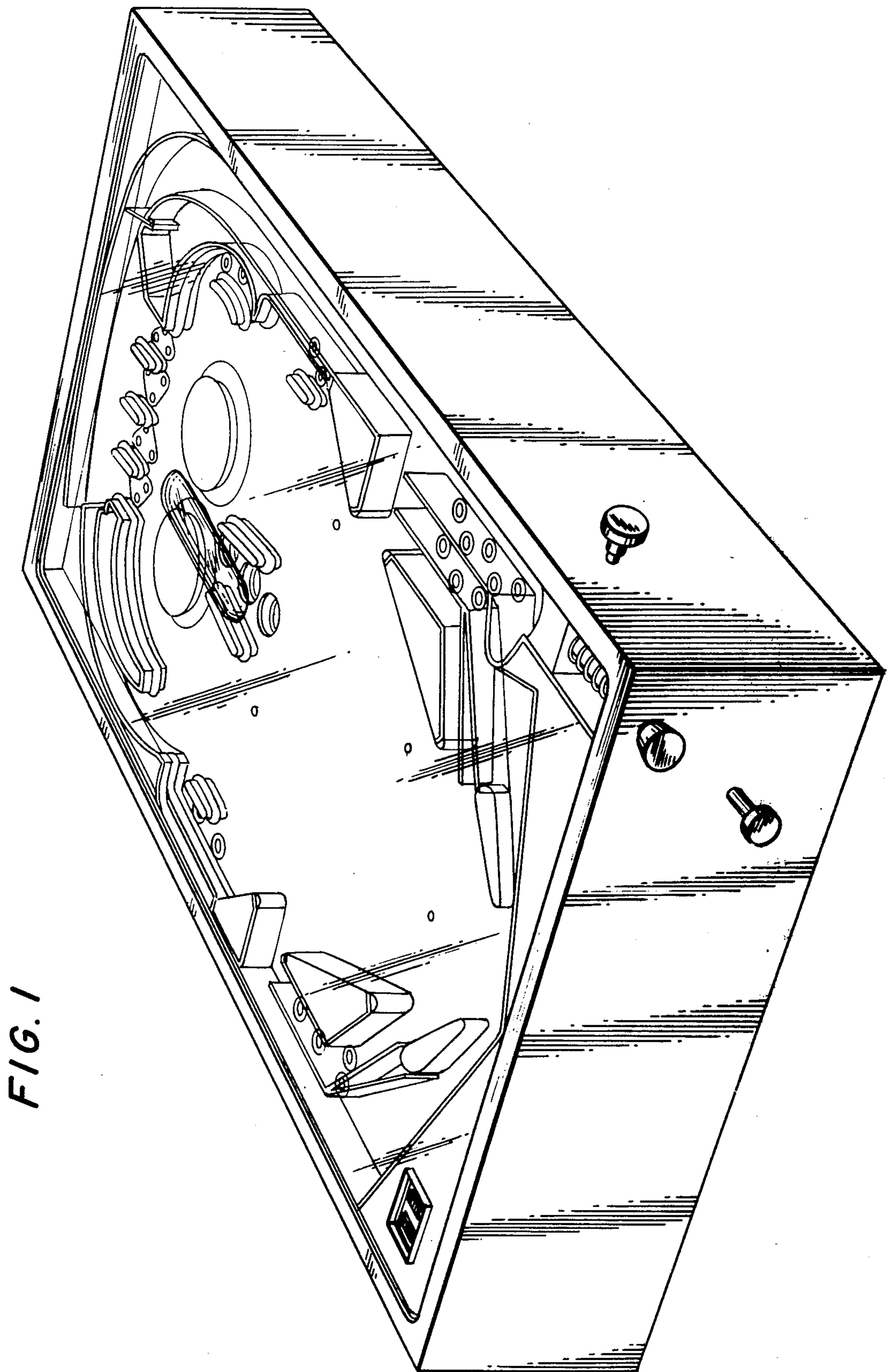
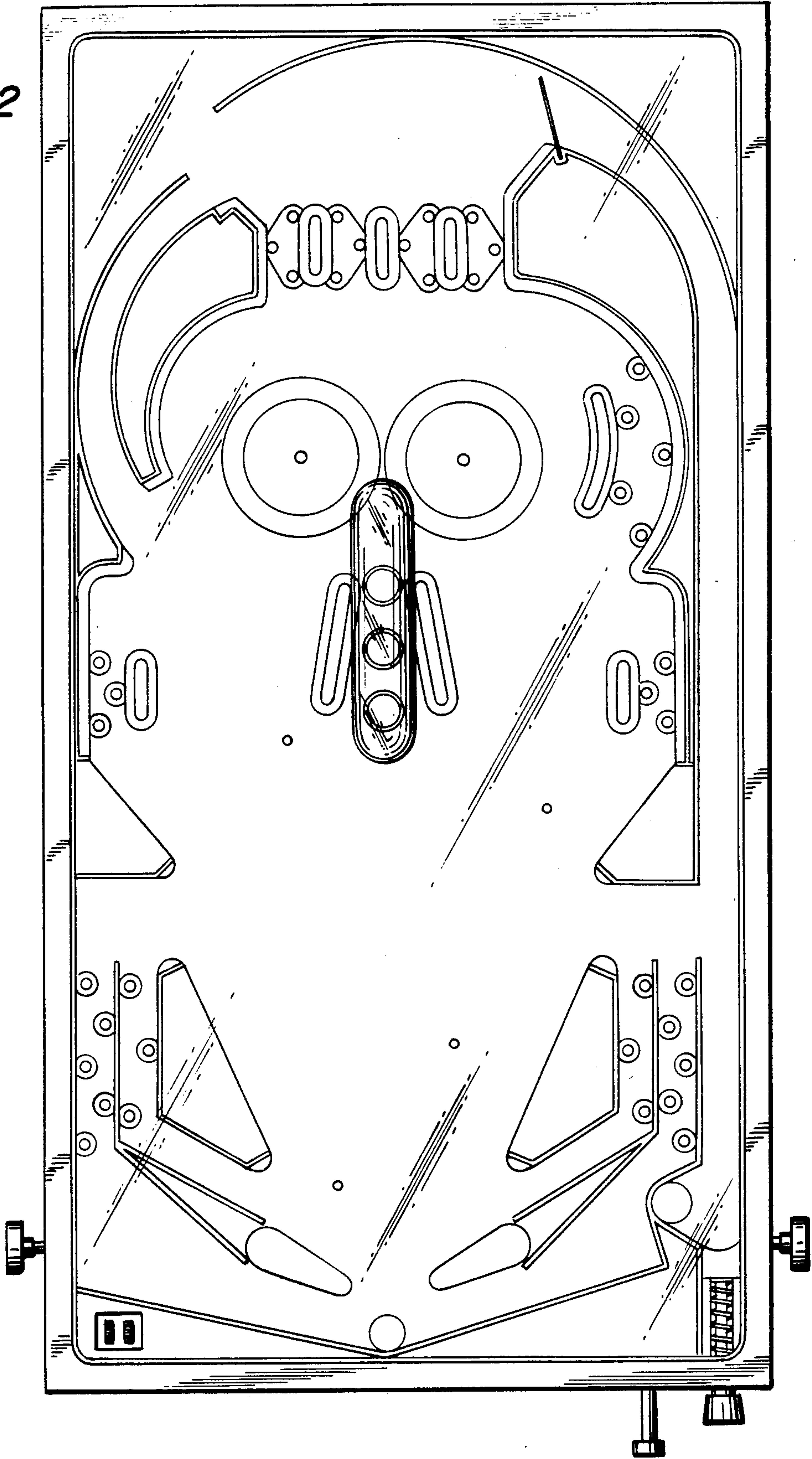


FIG. 1

FIG. 2





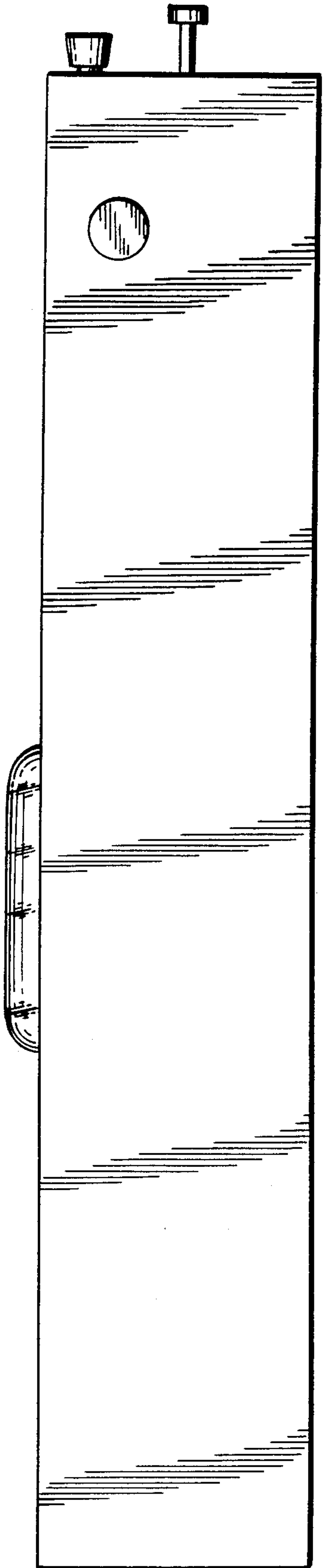


FIG. 3

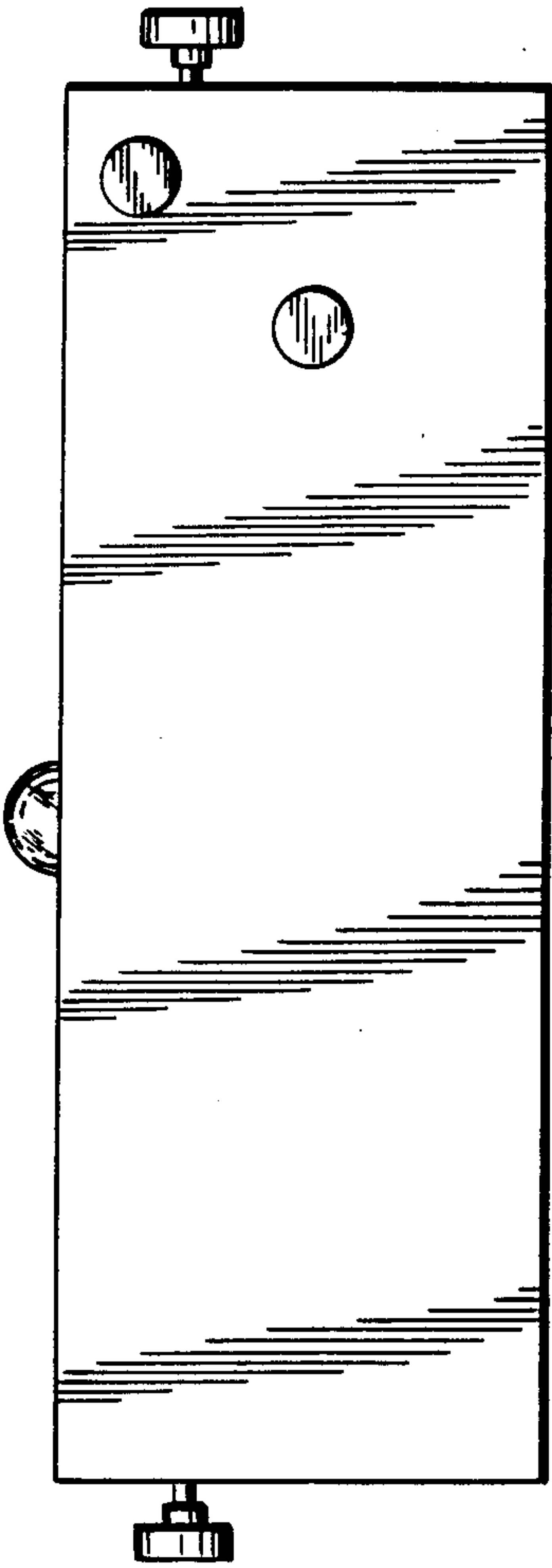


FIG. 4

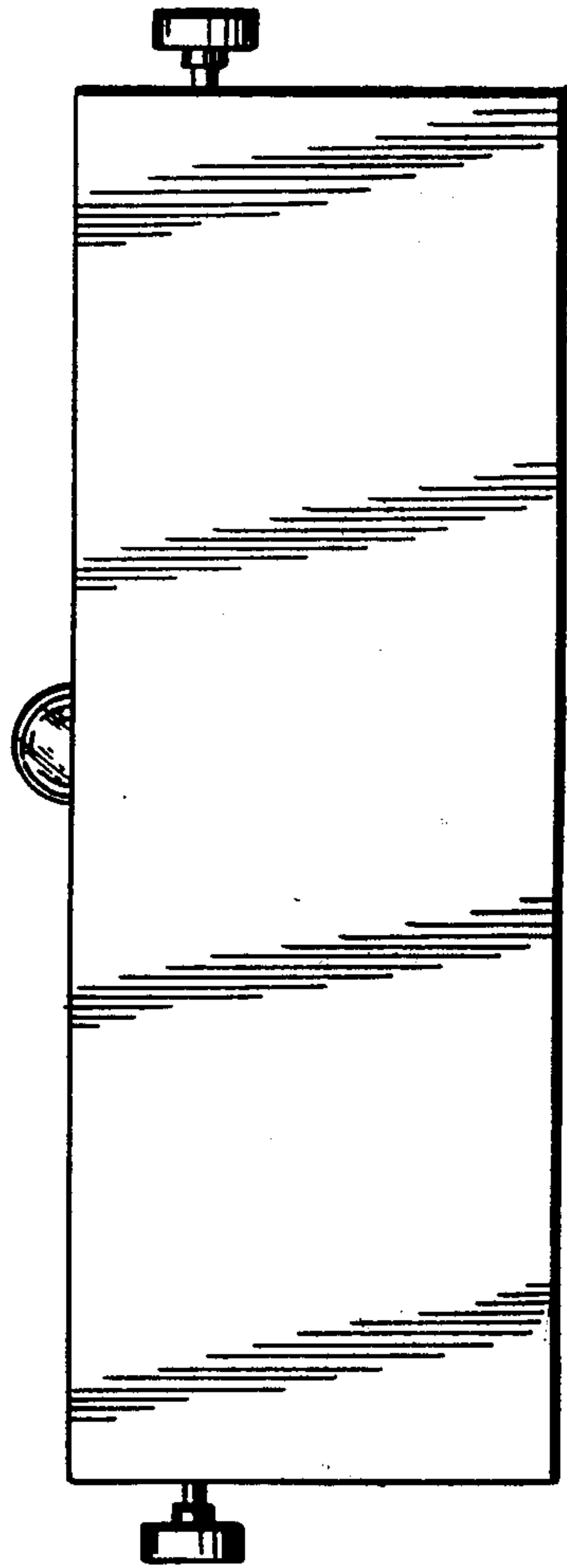


FIG. 5