

[54] **SCRIBING RULE GUIDE OR SIMILAR ARTICLE**

[76] Inventor: **Joseph L. Knight**, P.O. Box 150, Knox, Pa. 16232

[**] Term: **14 Years**

[21] Appl. No.: **853,634**

[22] Filed: **Nov. 21, 1977**

[51] Int. Cl. **D19-99**

[52] U.S. Cl. **D19/35; D19/37; D19/99**

[58] Field of Search **D19/35, 36, 37, 38, D19/99; D10/61-64, 68; 33/41 B, 25 C, 25 D, 25 E; D8/354**

[56] **References Cited**

U.S. PATENT DOCUMENTS

D. 228,947 10/1973 **Mason** **D19/37**
1,734,573 11/1929 **Gray** **33/25 D**

FOREIGN PATENT DOCUMENTS

677185 of 1929 France 33/25 D

Primary Examiner—Joel Stearman
Assistant Examiner—George P. Word
Attorney, Agent, or Firm—Albert H. Kirchner

[57] **CLAIM**

The ornamental design for a scribing rule guide or similar article, as shown.

DESCRIPTION

FIG. 1 is a perspective view of a scribing rule guide, showing my new design;
FIG. 2 is a top plan view thereof;
FIG. 3 is a right side elevational view thereof;
FIG. 4 is a bottom plan view thereof;
FIG. 5 is an inverted left side elevational view thereof;
FIG. 6 is a front elevational view; and
FIG. 7 is a rear elevational view.

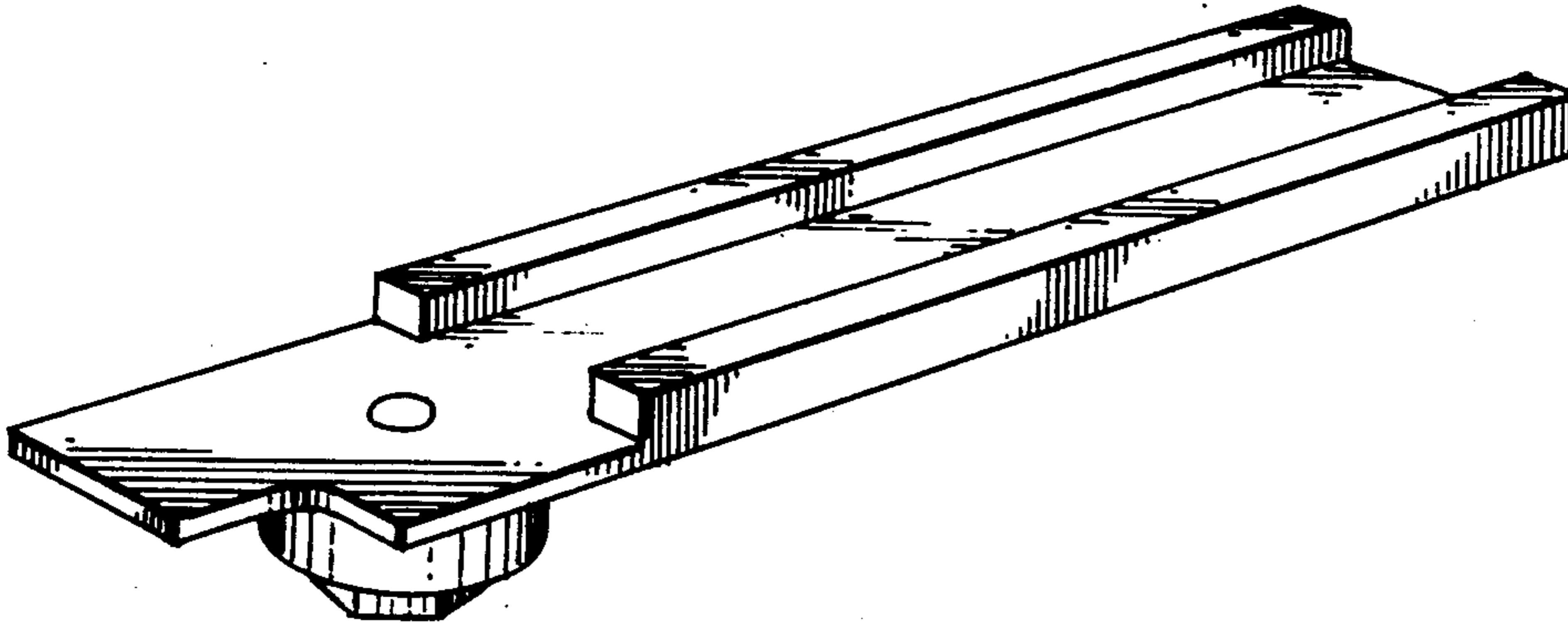


FIG. 1

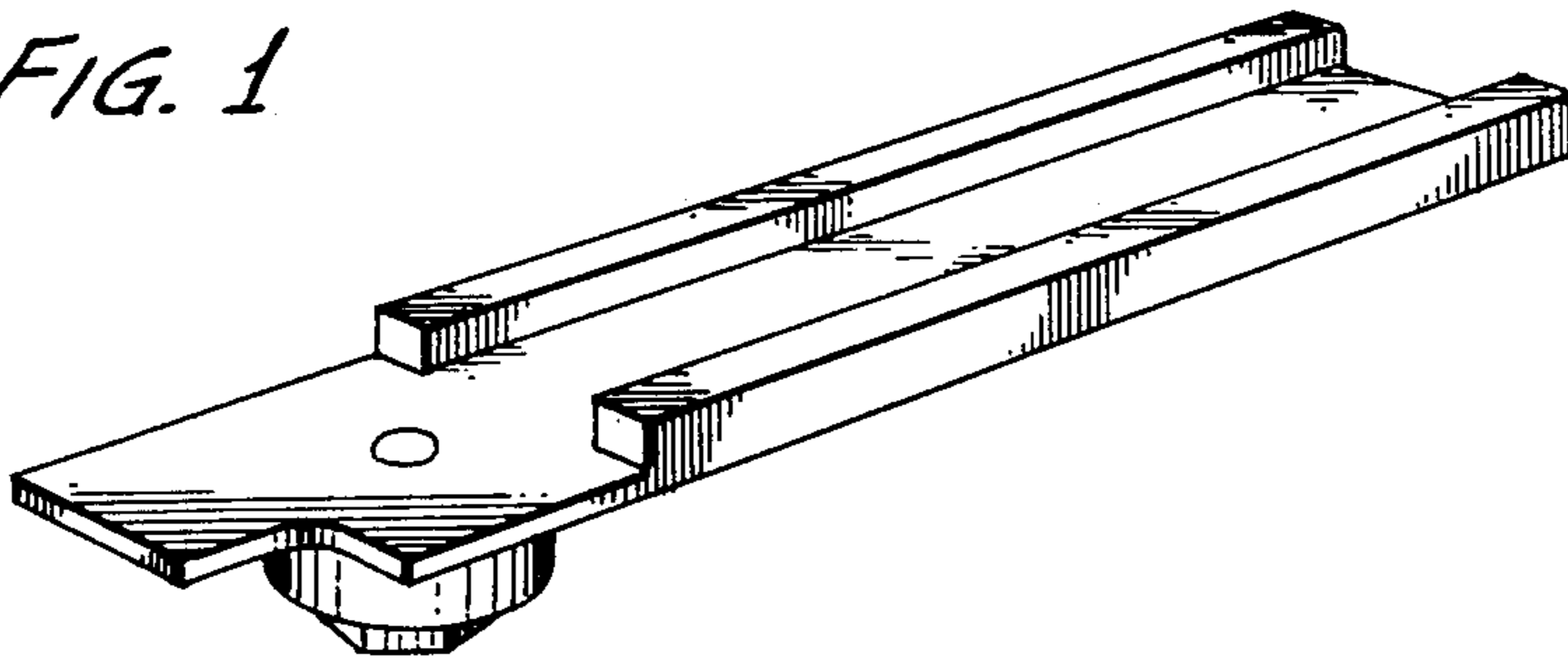


FIG. 2

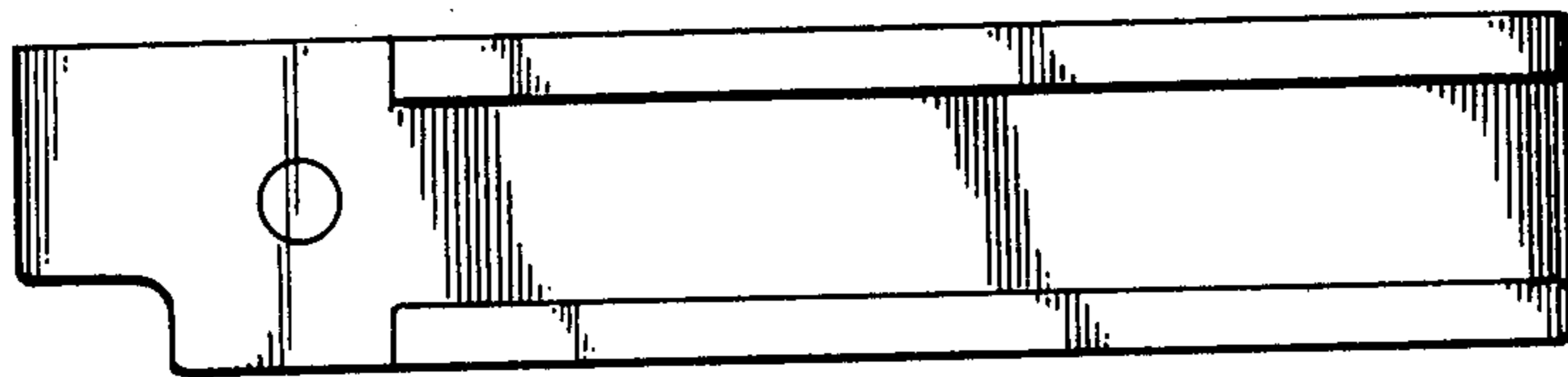


FIG. 3

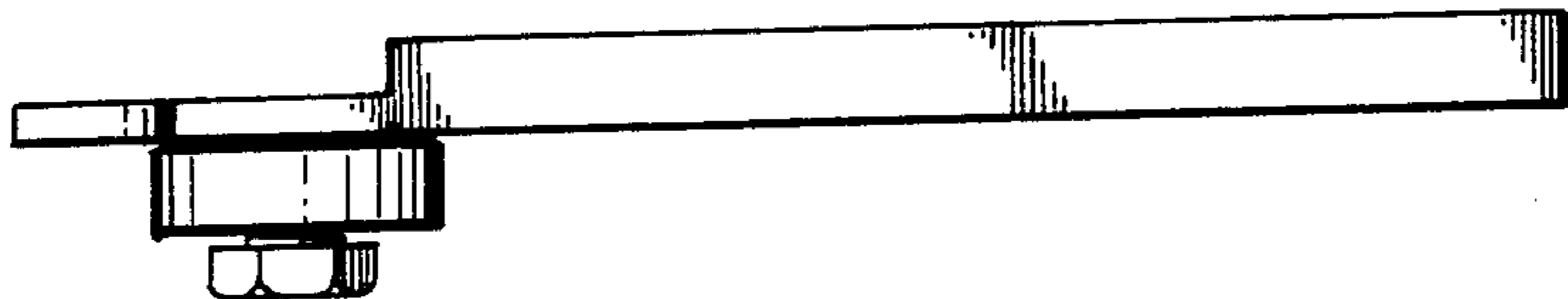


FIG. 4

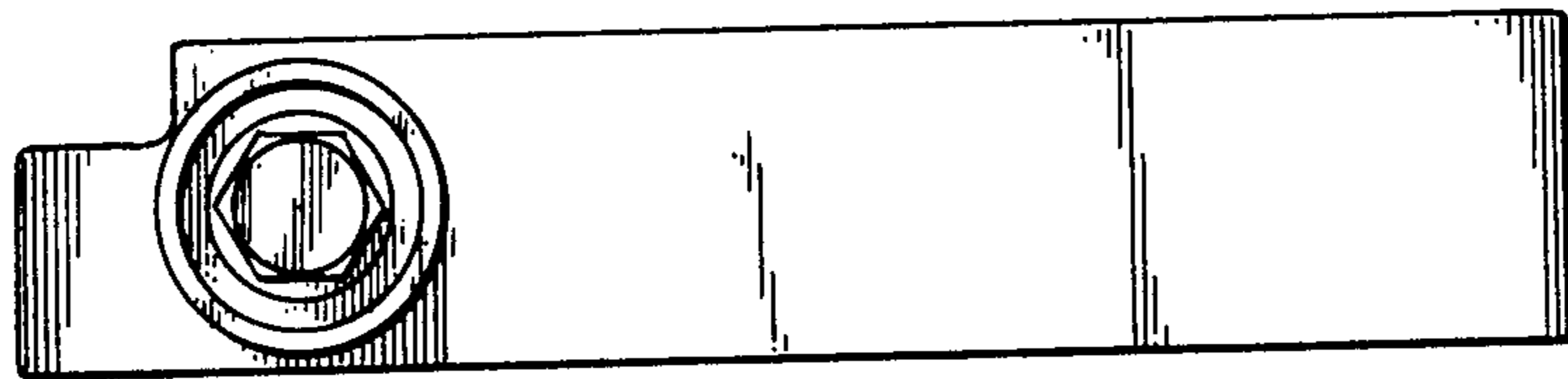


FIG. 5



FIG. 6

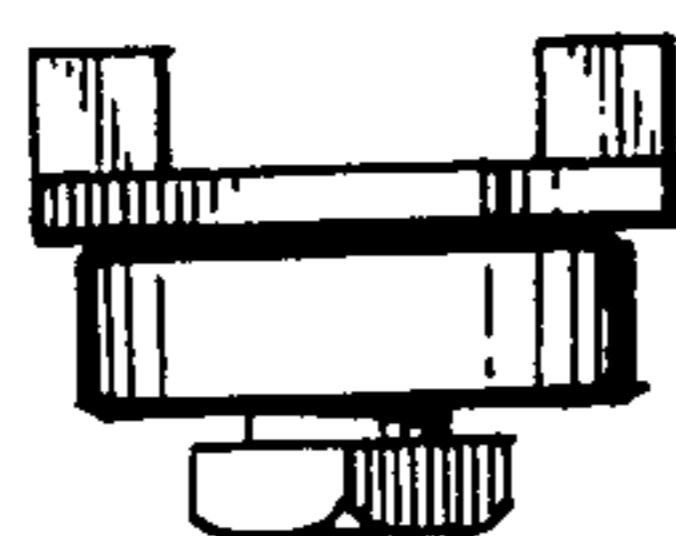


FIG. 7

