

[54] TELESCOPE

[75] Inventor: Peter W. Bressler, Philadelphia, Pa.

[73] Assignee: Edmund Scientific Company, Barrington, N.J.

[**] Term: 14 Years

[21] Appl. No.: 830,362

[22] Filed: Sep. 2, 1977

[51] Int. Cl. D16-08

[52] U.S. Cl. D16/60; D16/83

[58] Field of Search D16/59, 60, 83; 350/83, 350/85, 318, 19, 28, 34, 55

[56] References Cited

U.S. PATENT DOCUMENTS

D. 191,377	9/1961	Kraus	D16/60
D. 199,371	10/1964	Kraus	D16/60
D. 247,854	5/1978	Simmons et al.	D16/60
2,948,189	8/1960	Fischer	350/83 X

FOREIGN PATENT DOCUMENTS

1120736 12/1961 Fed. Rep. of Germany 350/83

OTHER PUBLICATIONS

Sky and Telescope, Mar. 1970, p. 200, Telescope, bottom of page.

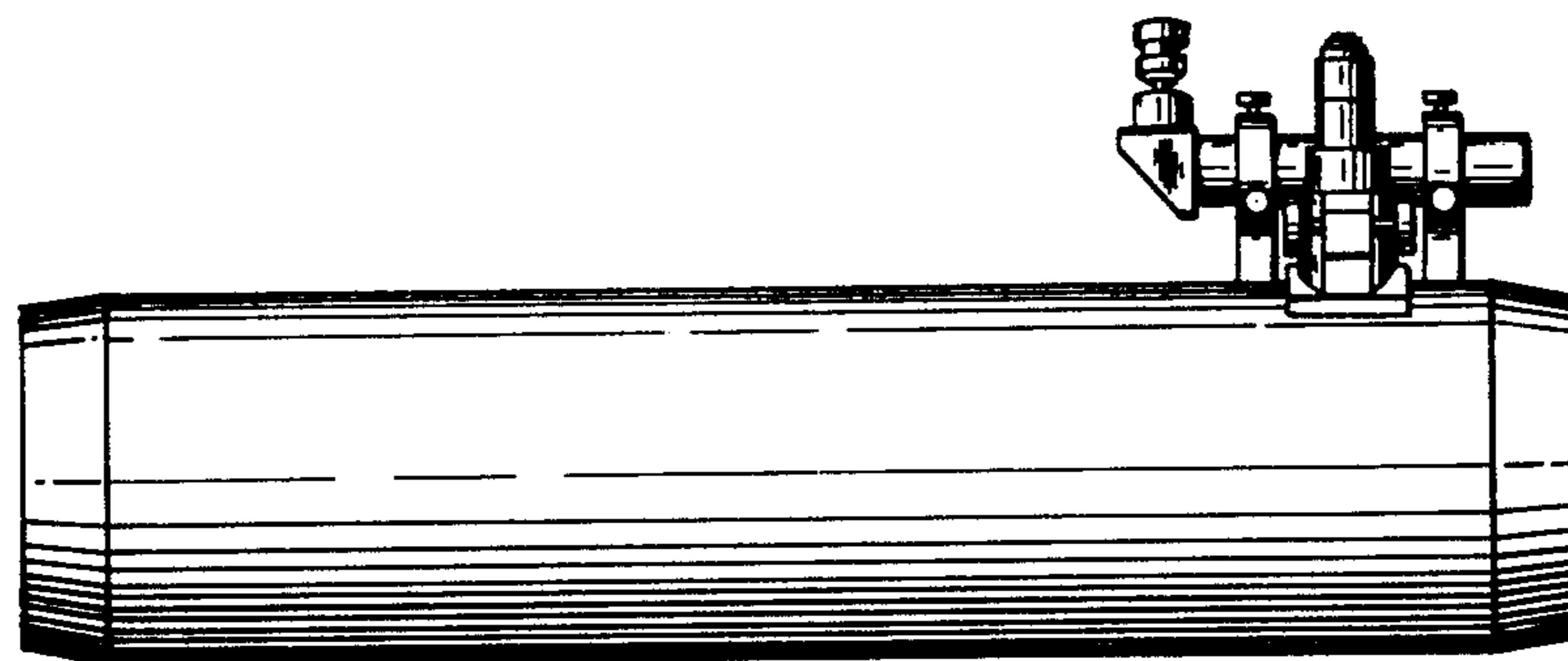
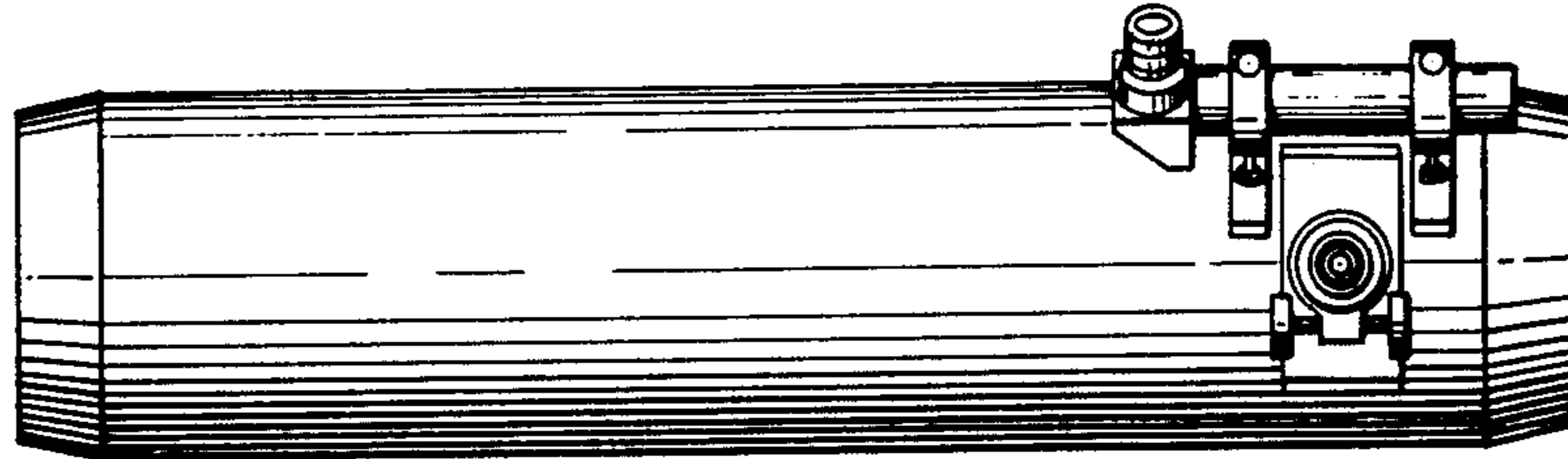
Primary Examiner—Bernard Ansher
Attorney, Agent, or Firm—George A. Smith, Jr.

[57] CLAIM

The ornamental design for a telescope, as shown and described.

DESCRIPTION

FIG. 1 is a right-hand side elevation of a telescope showing my new design;
 FIG. 2 is a top plan view thereof;
 FIG. 3 is a bottom plan view thereof;
 FIG. 4 is a left-hand side elevation thereof;
 FIG. 5 is a front elevation thereof;
 FIG. 6 is a rear elevation thereof; and
 FIG. 7 is a right-hand side elevation thereof showing the relation of the telescope to a cradle and telescope mount, the latter elements being shown in broken lines to denote environmental structure only.



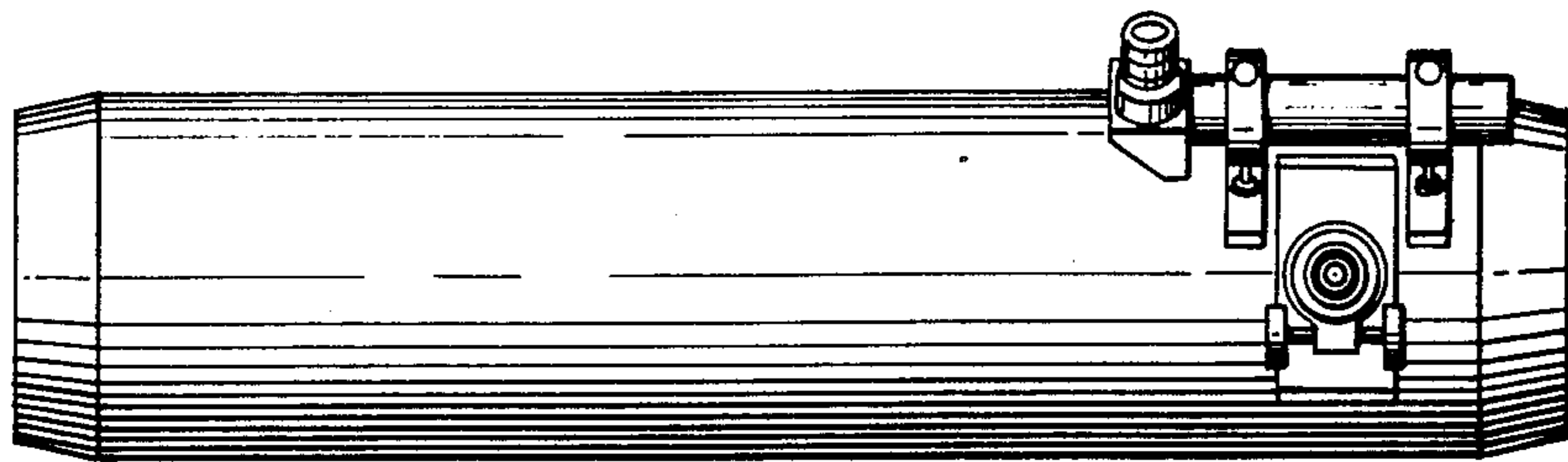


FIG. 2.

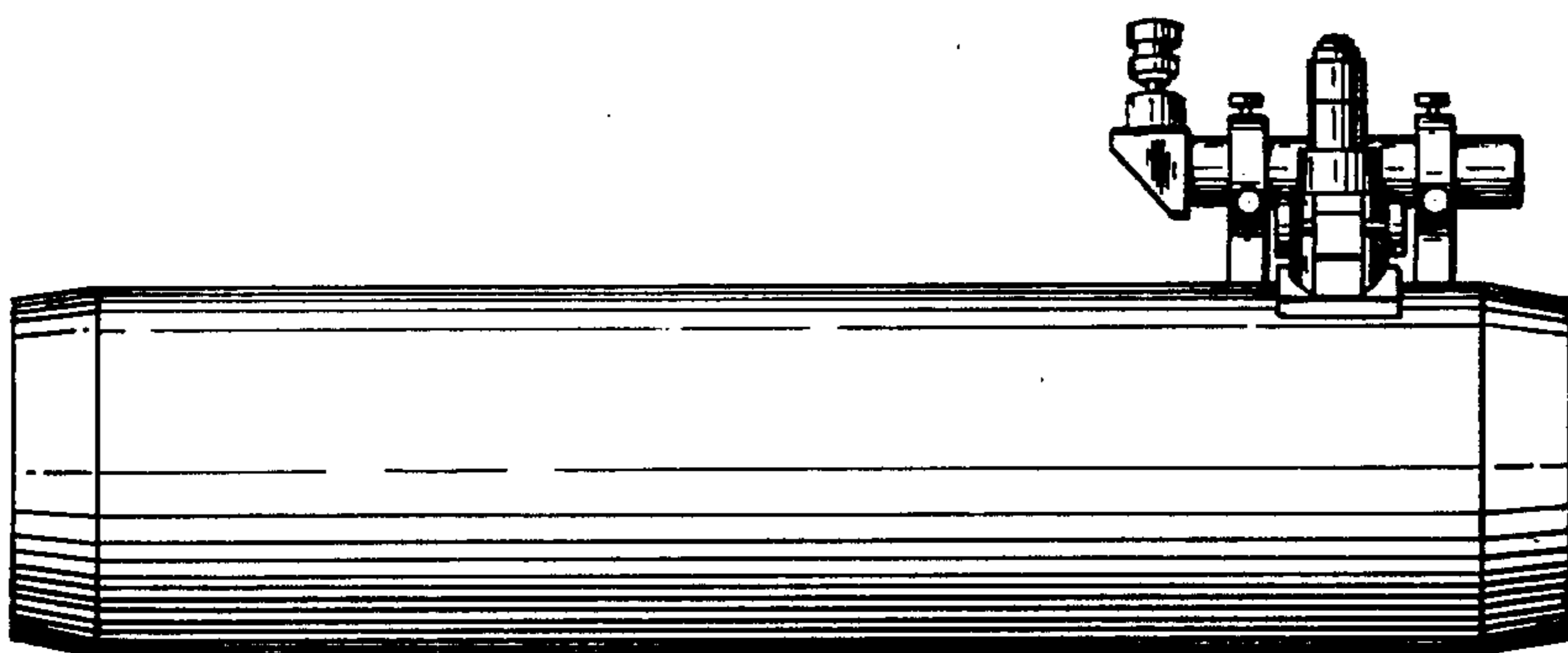


FIG. 1.

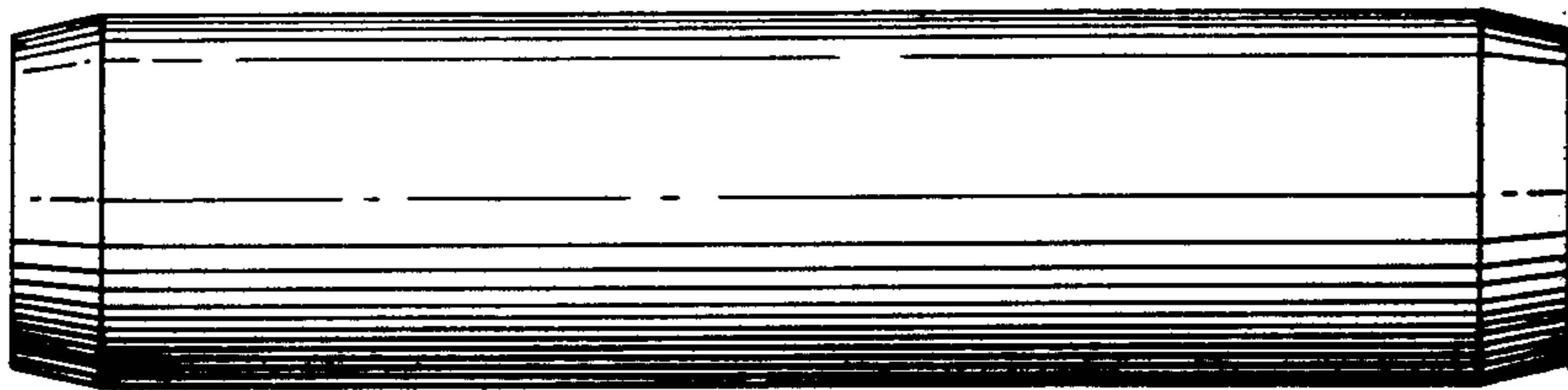


FIG. 3.

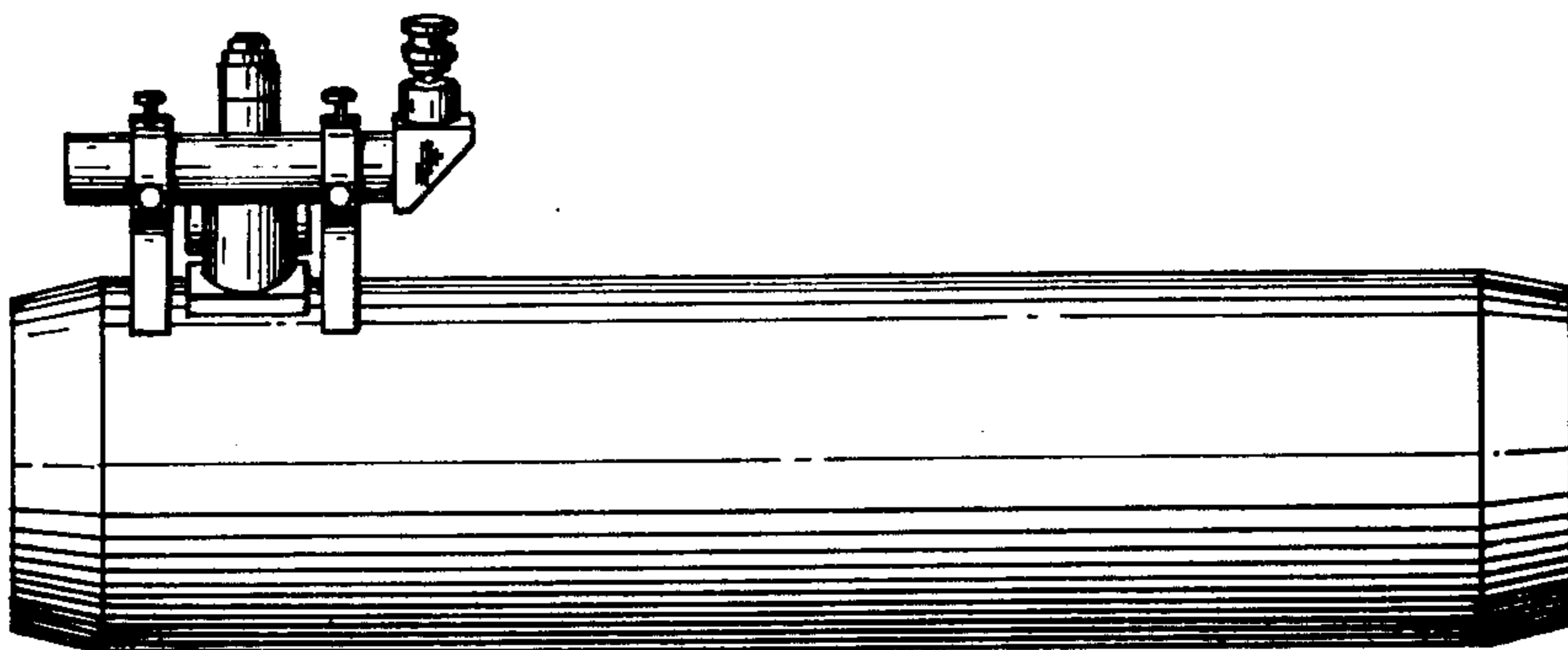


FIG. 4.

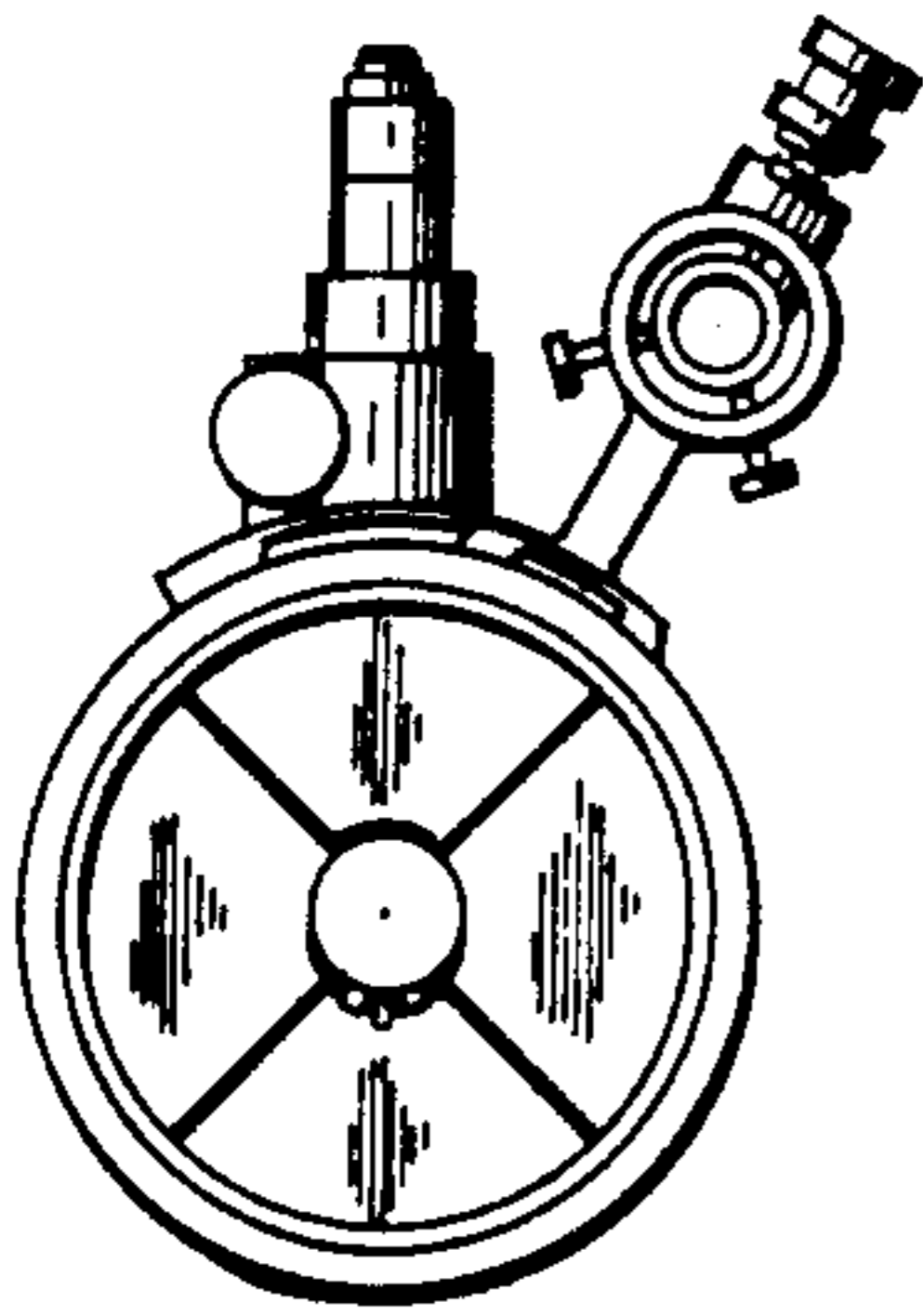


FIG. 5.

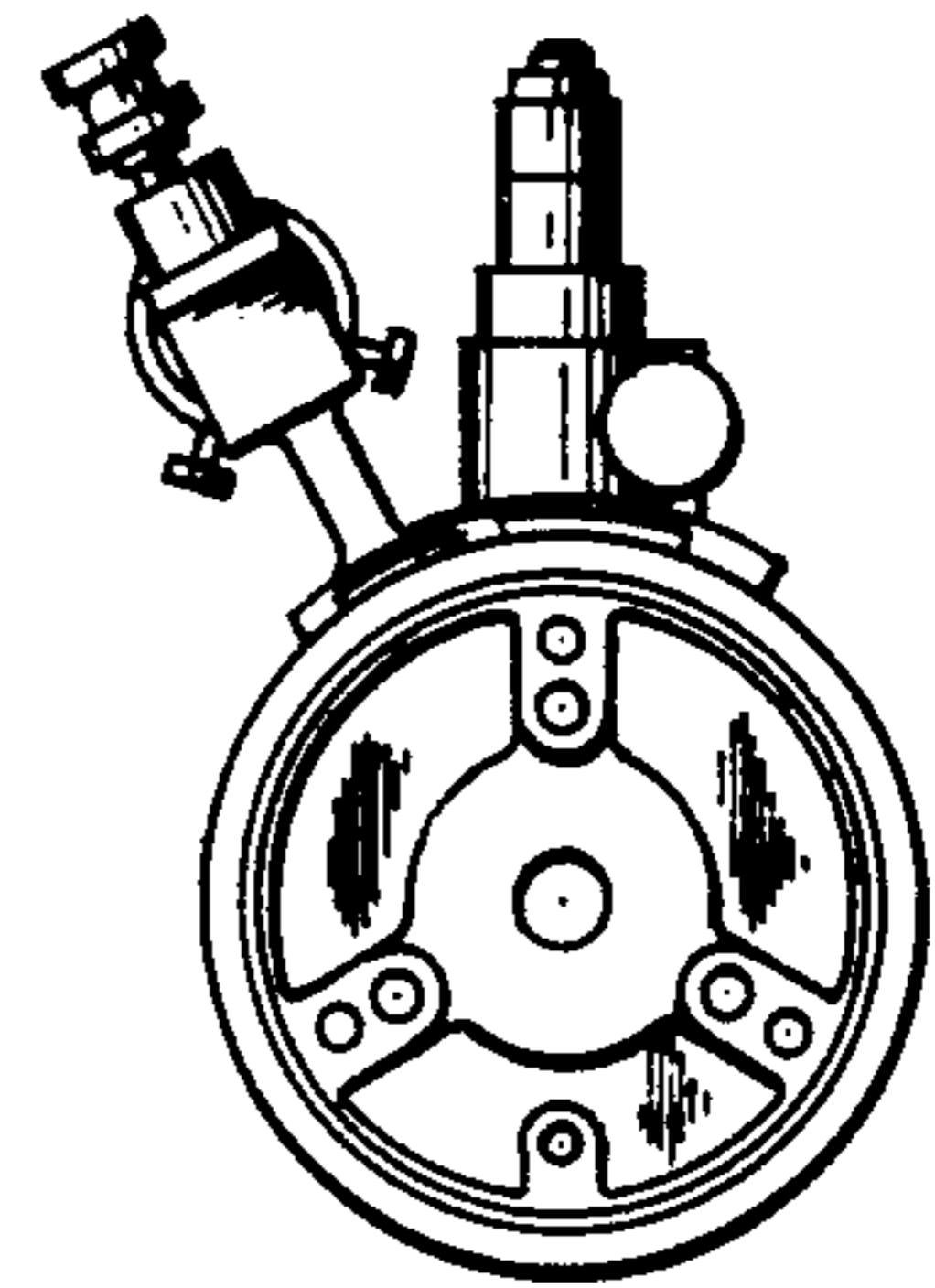
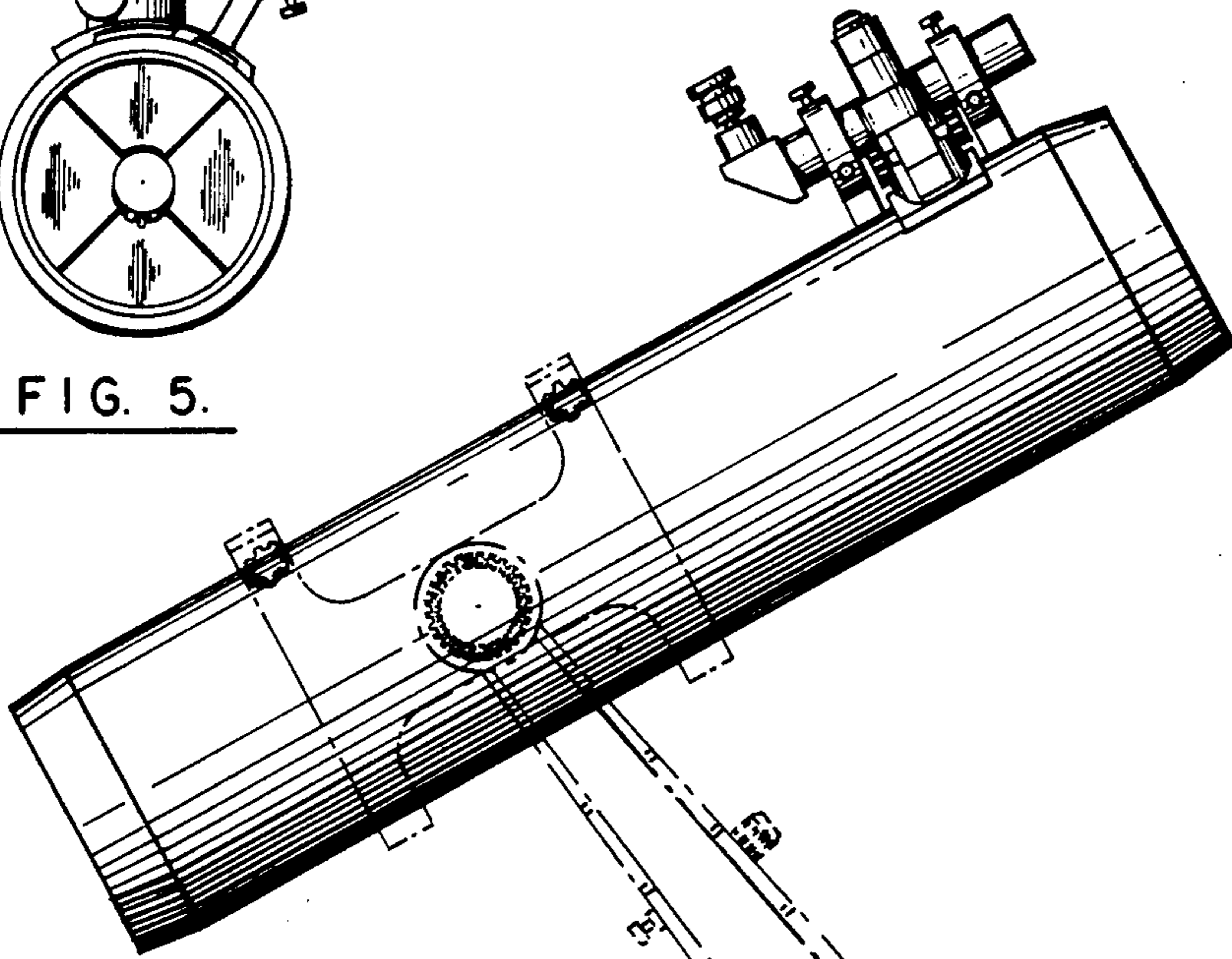


FIG. 6.

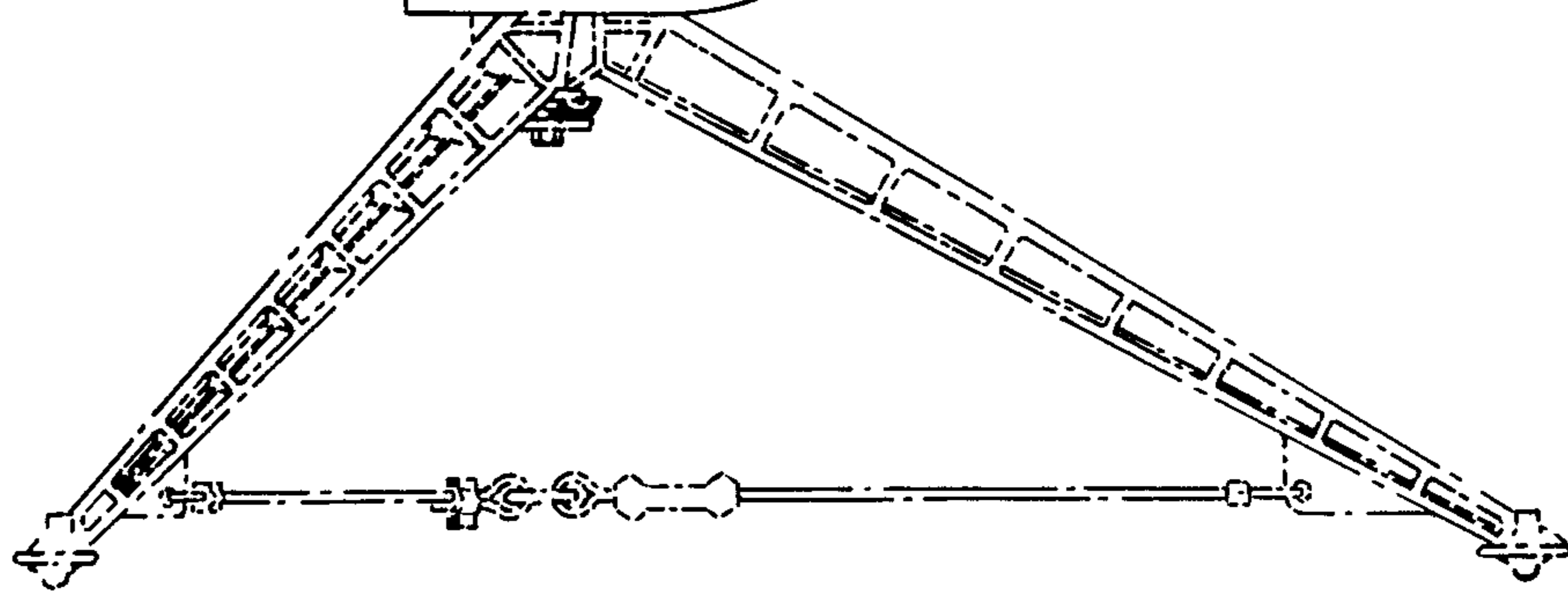


FIG. 7.