

[54] LOUDSPEAKER

[75] Inventor: Donald S. Schroeder, Barrington, Ill.

[73] Assignee: Pemcor, Inc., Westchester, Ill.

[**] Term: 14 Years

[21] Appl. No.: 806,006

[22] Filed: Jun. 13, 1977

[51] Int. Cl. D14-01

[52] U.S. Cl. D14/30; 181/147;
179/115.5 PS

[58] Field of Search 181/147, 148, 154, 145;
179/115.5 PS, 116; D14/30

[56] References Cited

U.S. PATENT DOCUMENTS

D. 72,428	4/1927	Hopkins	D14/30
D. 186,670	11/1959	Durbin	D14/30
D. 197,716	3/1964	Boldt et al.	D14/30

OTHER PUBLICATIONS

J. C. Whitney and Co., Cat. No. 355B, ©1976, p. 32, Coaxial Amplifier System, Item No. 03-6448B. Stereo/Hi-Fi Directory, 1963, p. 121, Item Minneapolis Coax. Speaker, Item No. Model K-12-HFC, 12".

Primary Examiner—Bernard Ansher

[57] CLAIM

The ornamental design for a loudspeaker, as shown and described.

DESCRIPTION

FIG. 1 is a front view of the loudspeaker showing my new design;
FIG. 2 is an elevational view of a broad side thereof;
FIG. 3 is an elevational view of a narrow side thereof;
FIG. 4 is a cross-sectional view taken at the line 4-4 of FIG. 1, and
FIG. 5 is a rear view of the loudspeaker.

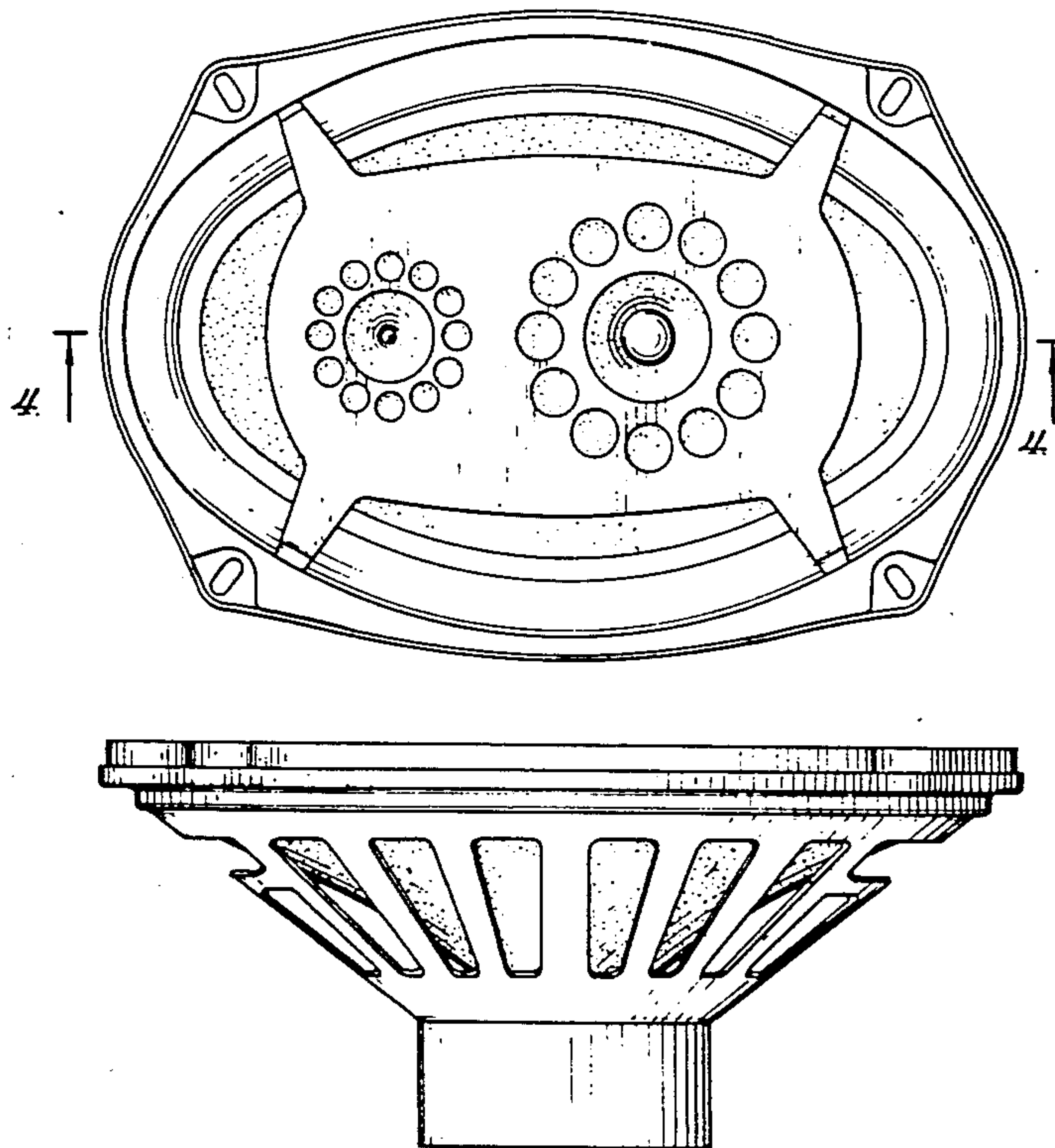


Fig. 1.

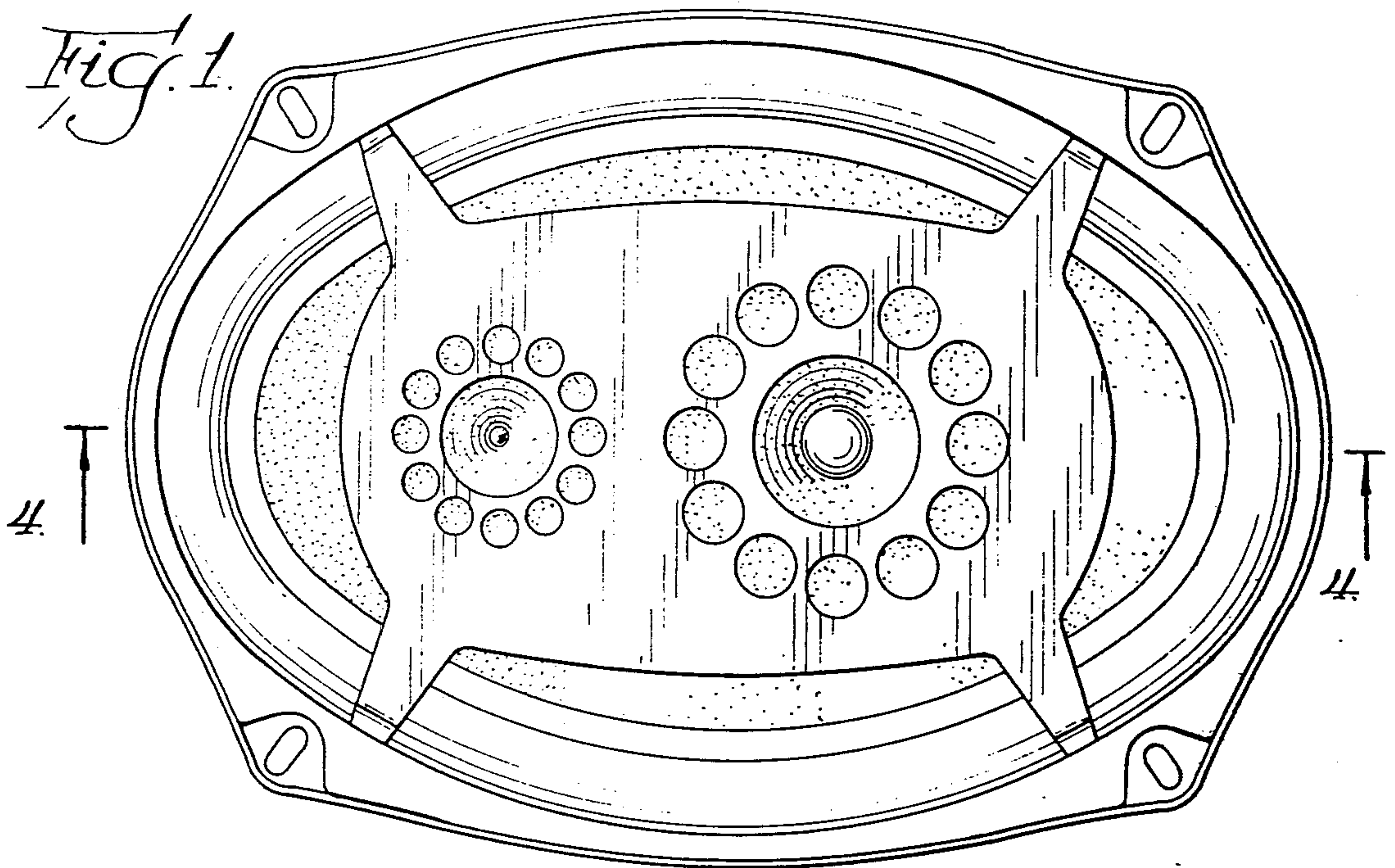


Fig. 2.

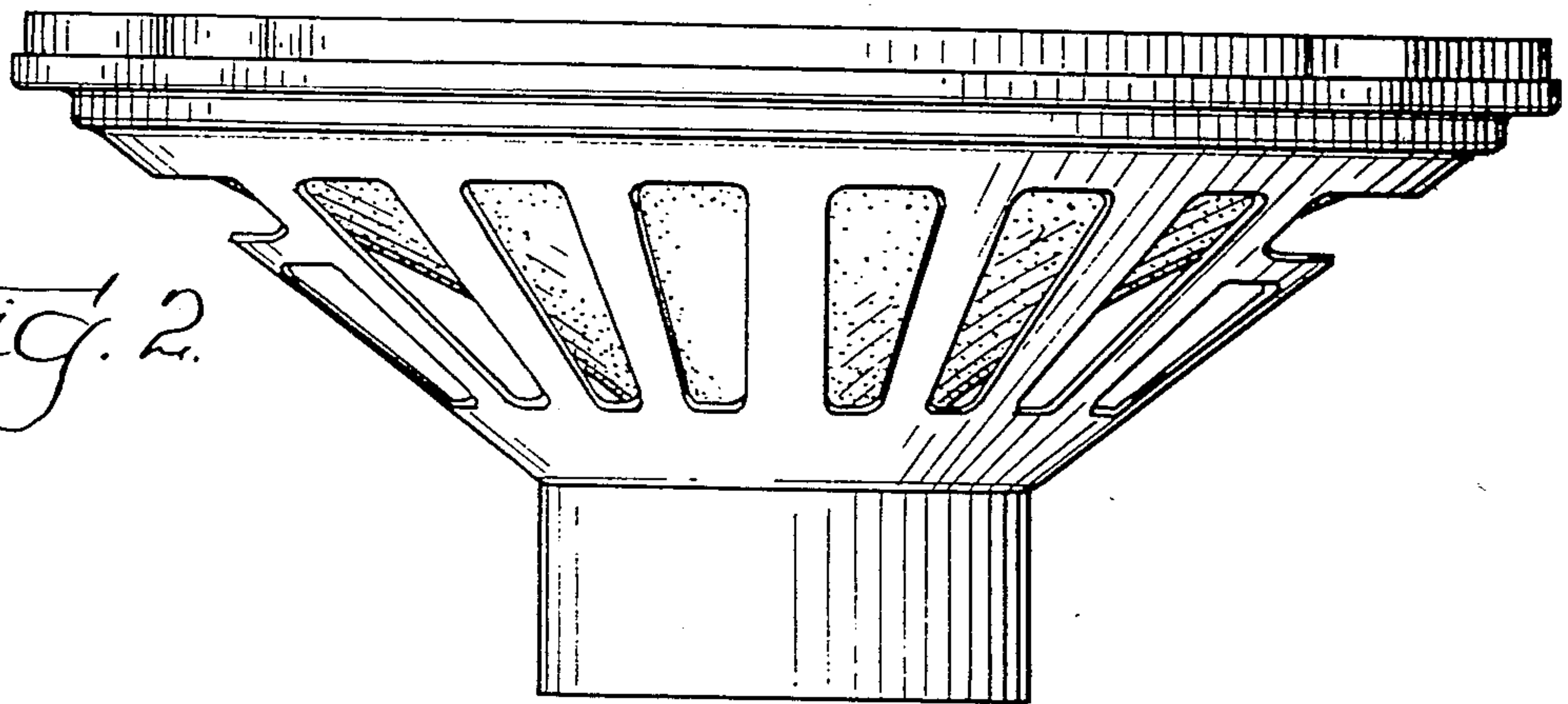


Fig. 3.

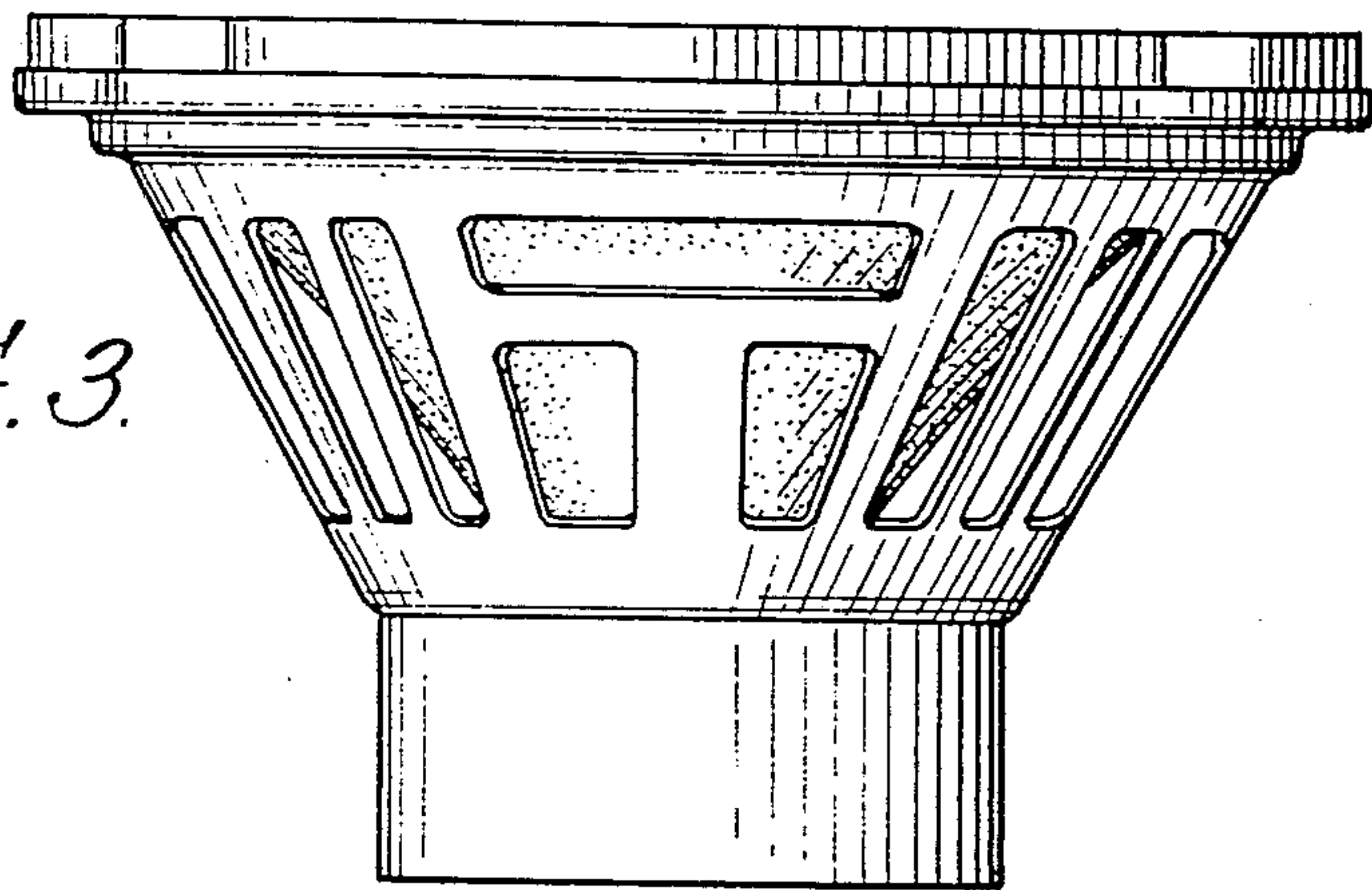


Fig. 4.

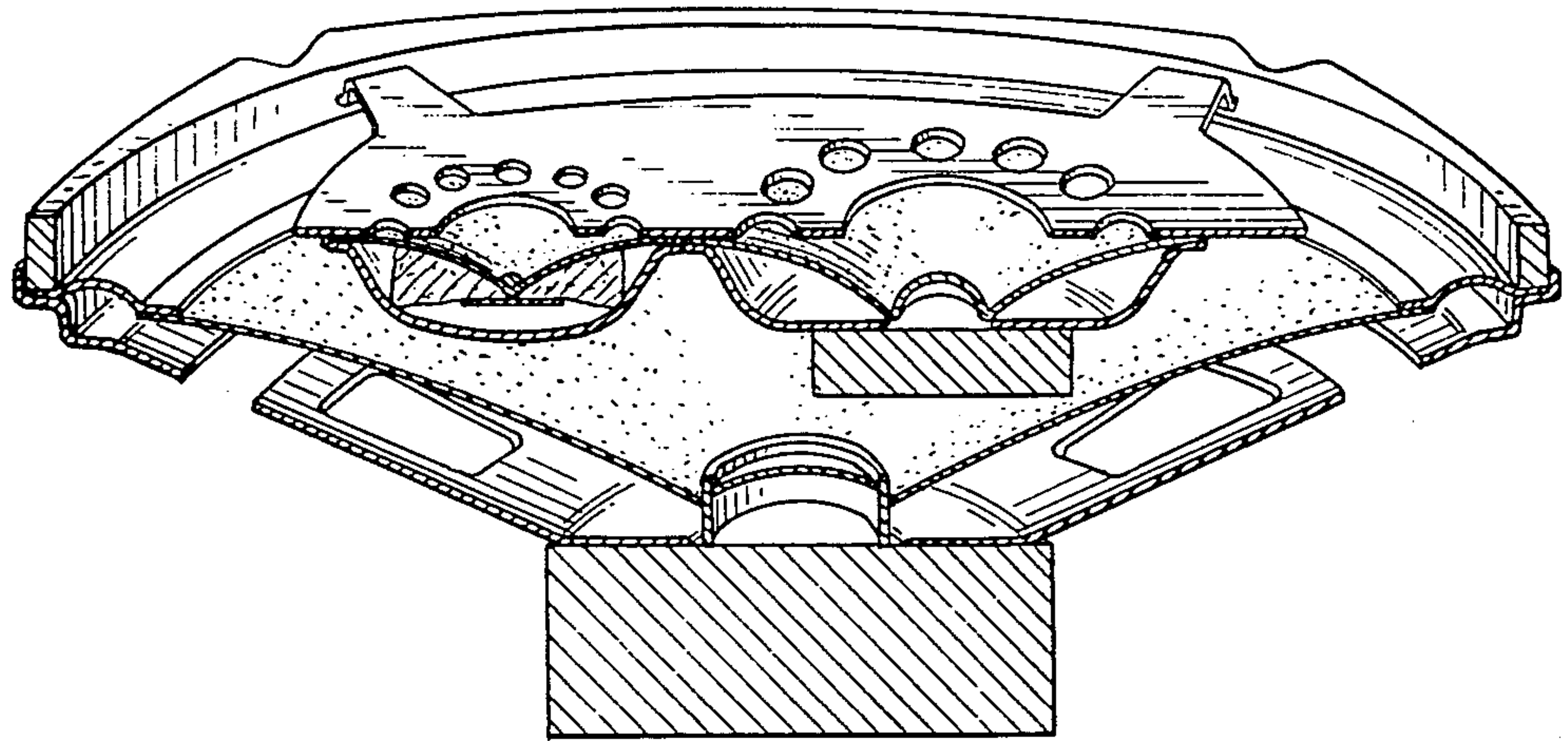


Fig. 5.

