

[54] HOUSING FOR MAGNETIC CONTACT SWITCH COMPONENT

3,261,944 7/1966 Sherwood ..... 335/205 X  
3,737,599 6/1973 Zuvela ..... 335/205 X  
3,940,725 2/1976 Verger et al. .... 335/207

[76] Inventors: Thomas J. Holce, 8195 SW. Ernst Rd., Portland, Oreg. 97225; Charles M. Huckins, 12200 SW. 116th Ave., Tigard, Oreg. 97223

[\*\*] Term: 14 Years

[21] Appl. No.: 812,004

[22] Filed: Jun. 30, 1977

[51] Int. Cl. .... D13-03

[52] U.S. Cl. .... D13/32; D13/99

[58] Field of Search ..... 335/205, 206, 207; D13/99, 40, 41, 32, 38, 39

[56] References Cited

U.S. PATENT DOCUMENTS

D. 229,698 12/1973 Kretzer ..... D13/99

FOREIGN PATENT DOCUMENTS

1537671 7/1967 Fed. Rep. of Germany ..... 335/205

Primary Examiner—Susan J. Lucas

Attorney, Agent, or Firm—Daniel P. Chernoff

[57] CLAIM

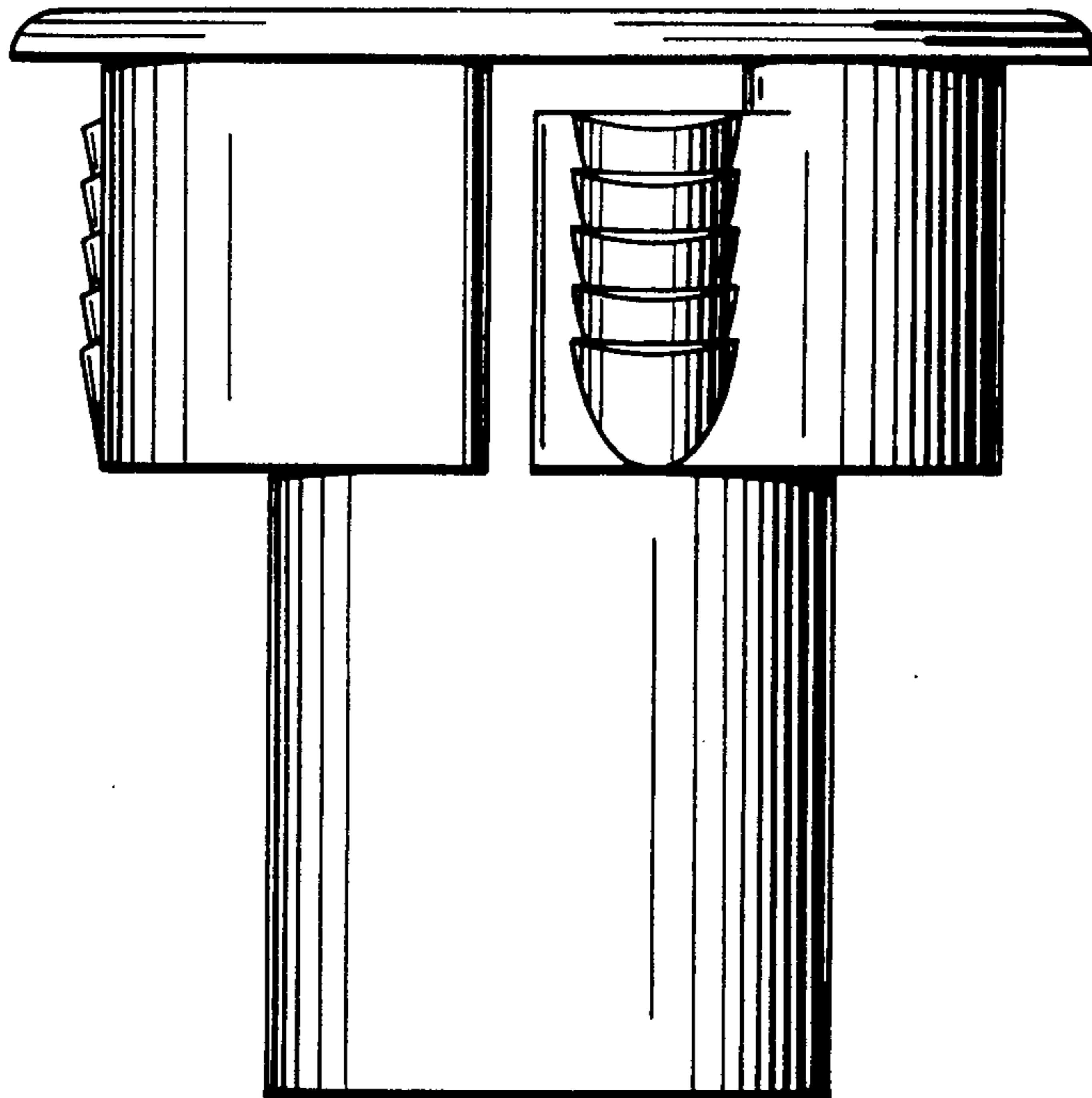
The ornamental design for a housing for magnetic contact switch component, as shown and described.

DESCRIPTION

FIG. 1 is a front elevational view of a housing for a magnetic contact switch component embodying our new design;

FIG. 2 is a fragmentary top plan view thereof, the housing being fragmentary shown for convenience of illustration;

FIG. 3 is a bottom plan view thereof.



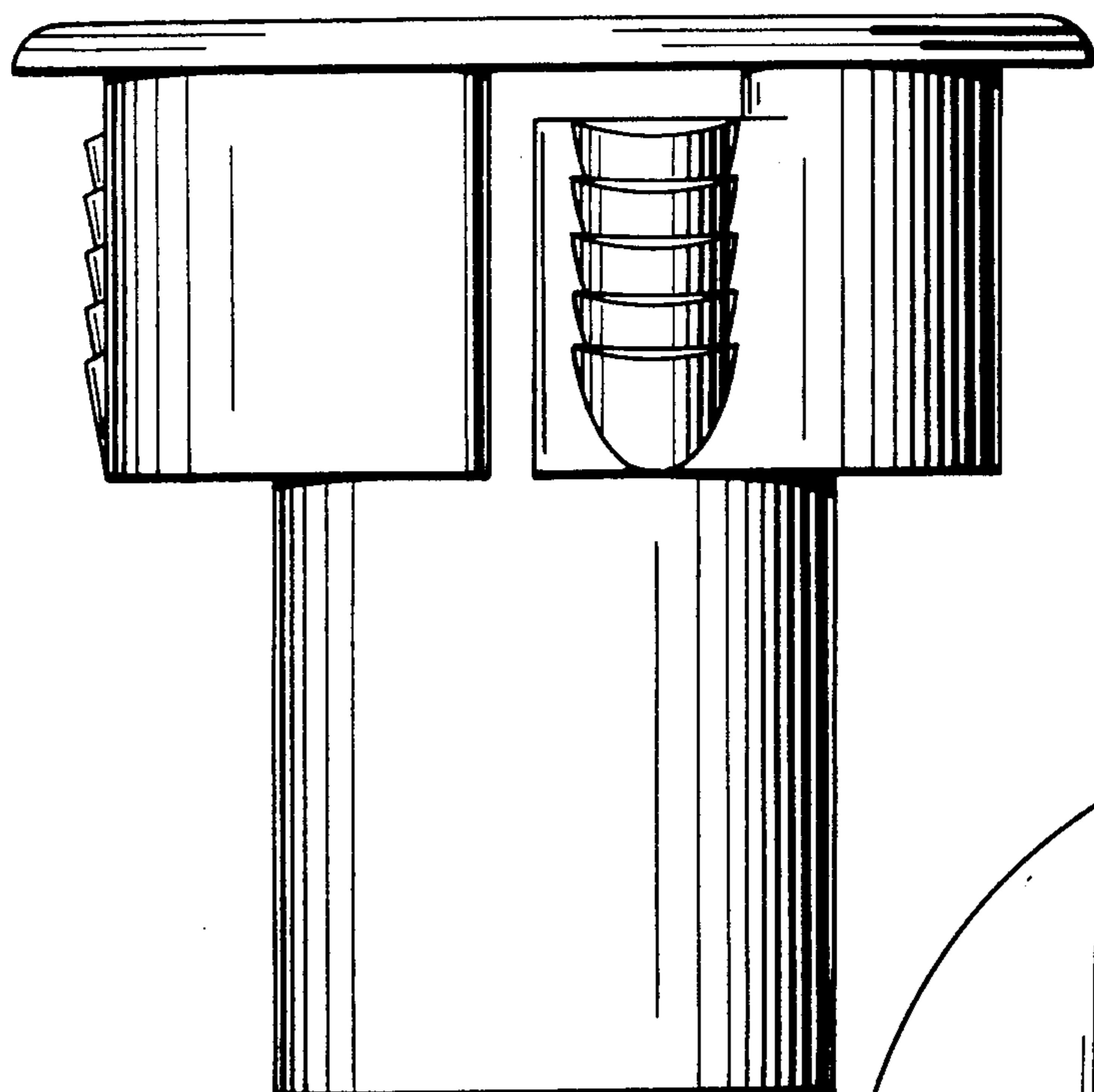


FIG. 1

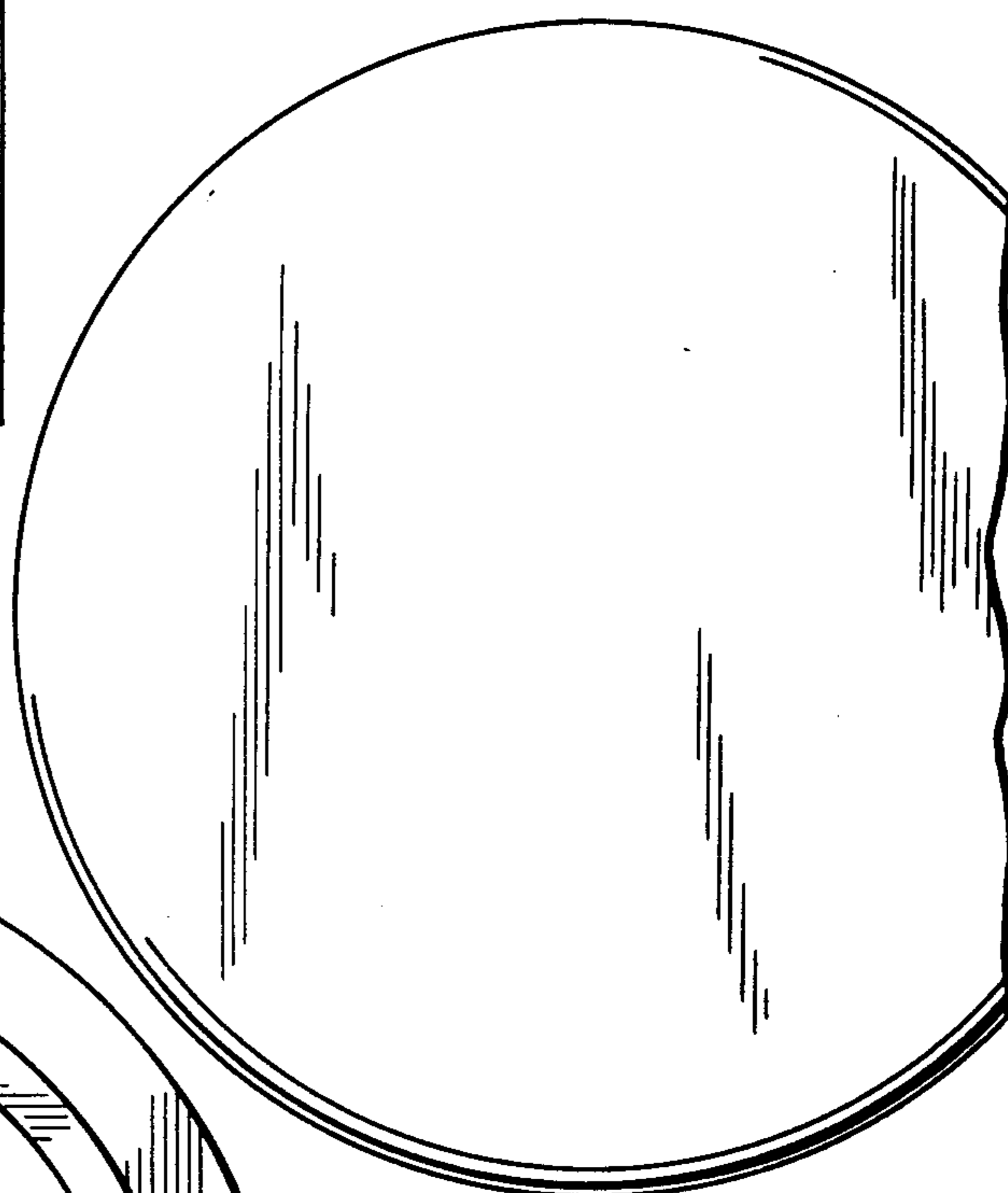


FIG. 2

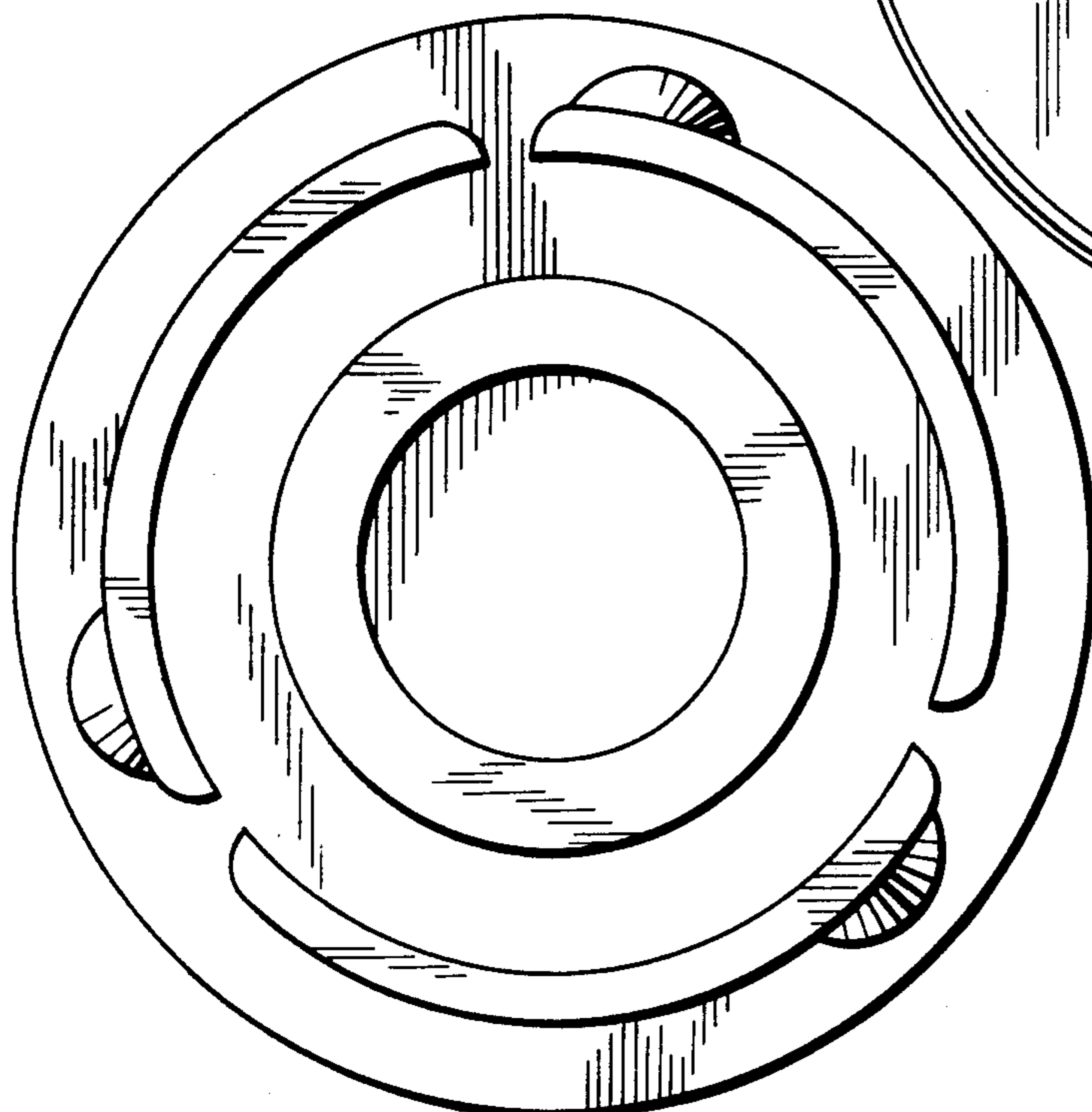


FIG. 3