

[54] MOPED FRAME

- [75] Inventor: Daniel G. Hahn, Olney, Ill.
- [73] Assignee: AMF Incorporated, White Plains, N.Y.
- [**] Term: 14 Years
- [21] Appl. No.: 941,345
- [22] Filed: Sep. 11, 1978

Related U.S. Application Data

- [62] Division of Ser. No. 935,211, Aug. 21, 1978.
- [51] Int. Cl. D12-11
- [52] U.S. Cl. D12/110; D12/111
- [58] Field of Search D12/110, 111; 180/31, 180/32, 33 R, 33 A, 33 C, 33 D, 34

[56] References Cited

U.S. PATENT DOCUMENTS

- D. 240,910 8/1976 Davidson D12/111

FOREIGN PATENT DOCUMENTS

- 664585 11/1949 United Kingdom 180/33 C
- 689733 11/1949 United Kingdom 180/33 D

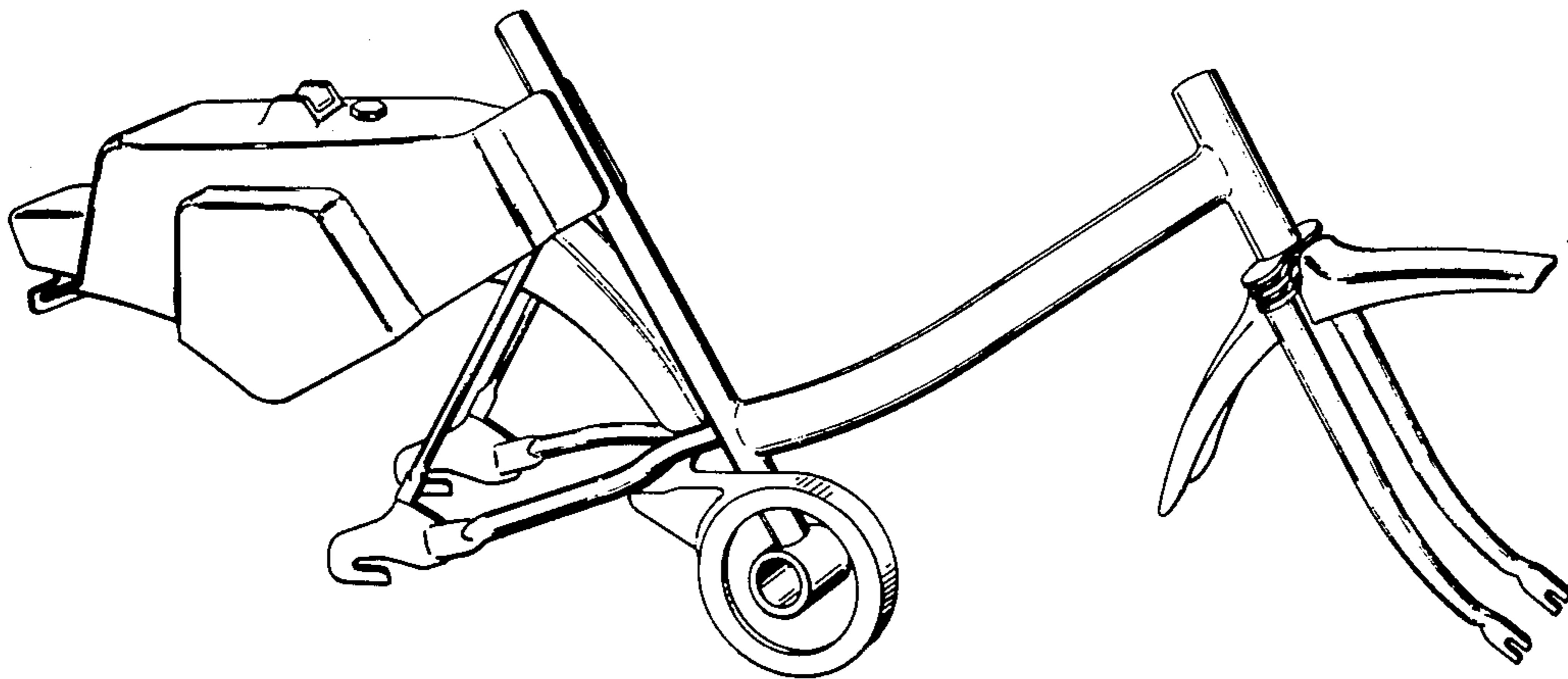
Primary Examiner—James M. Gandy
Attorney, Agent, or Firm—George W. Price

[57] CLAIM

The ornamental design for a moped frame, as shown and described.

DESCRIPTION

FIG. 1 is a perspective view of a moped frame showing my new design;
 FIG. 2 is a right side elevational view thereof on a reduced scale;
 FIG. 3 is a left side elevational view thereof on a reduced scale;
 FIG. 4 is a top plan view thereof on a reduced scale;
 FIG. 5 is a front elevational view thereof on a reduced scale;
 FIG. 6 is a rear elevational view thereof on a reduced scale;
 FIG. 7 is a bottom plan view thereof on a reduced scale.



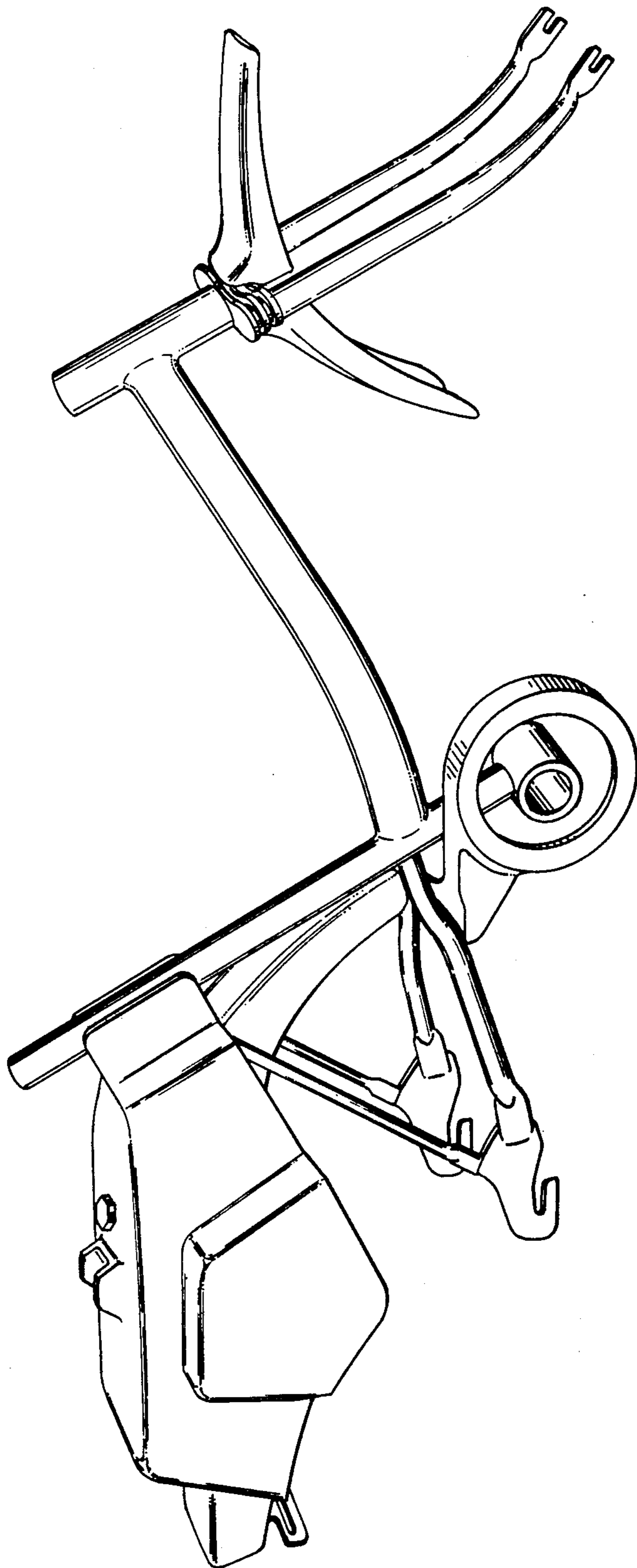


FIG. 1

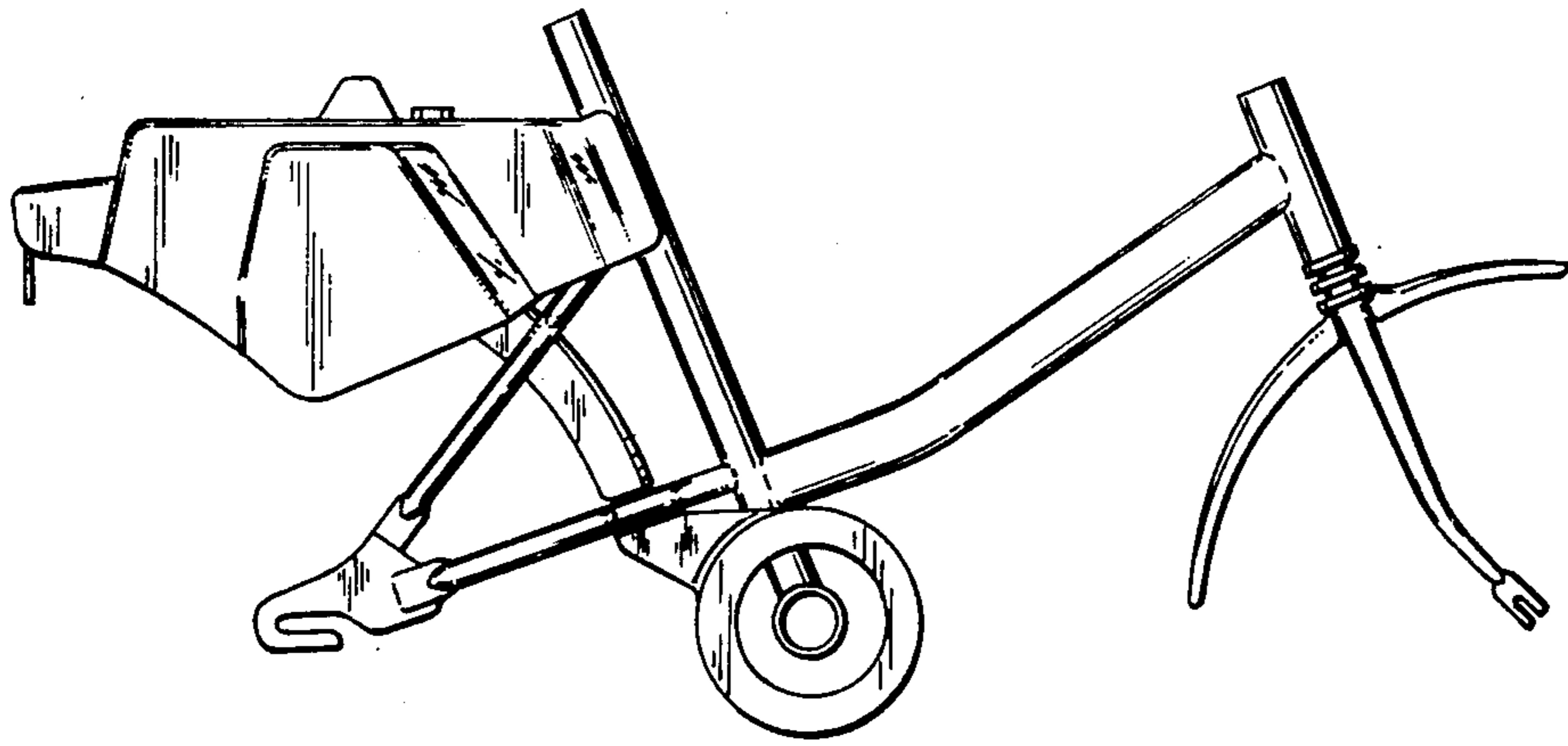


FIG. 2

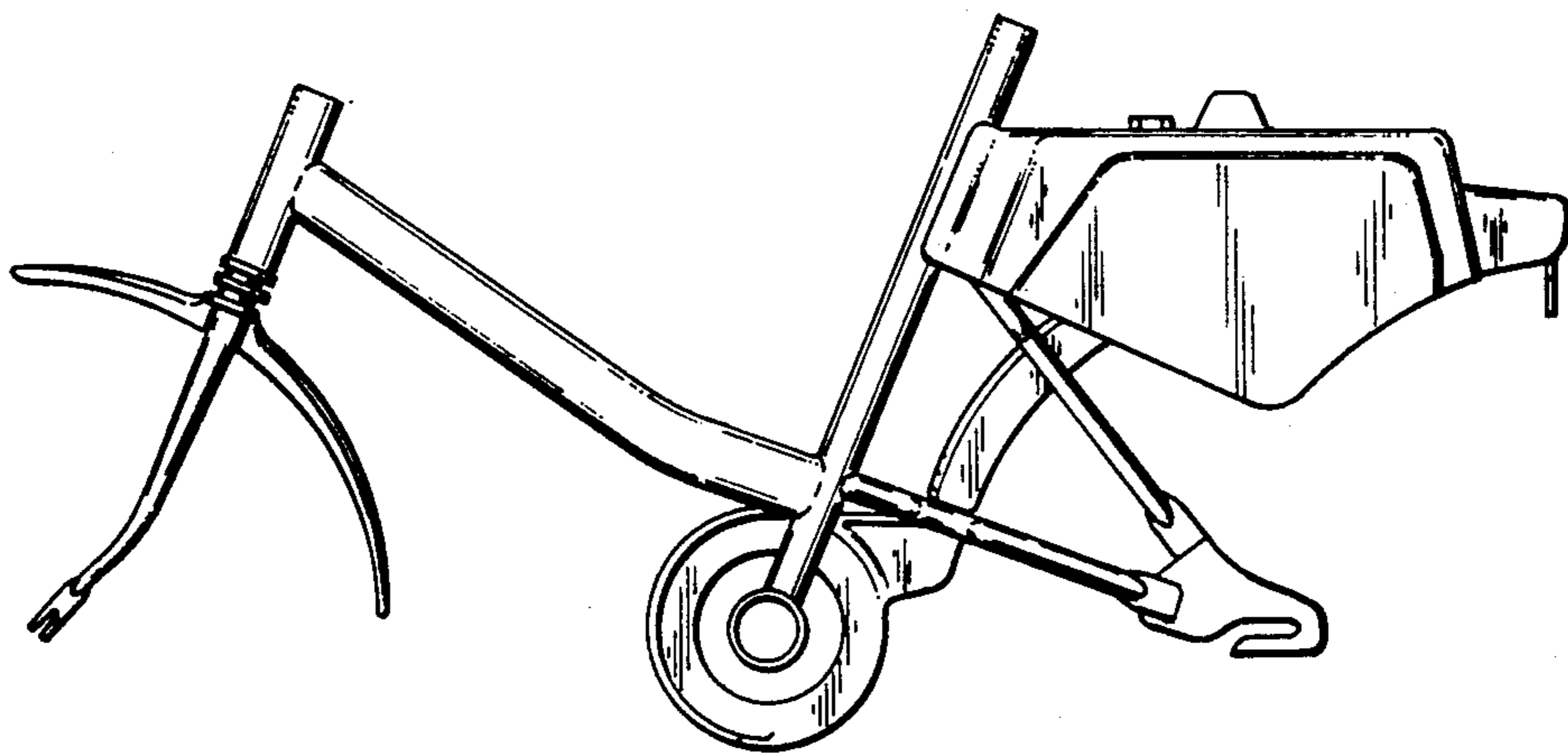


FIG. 3

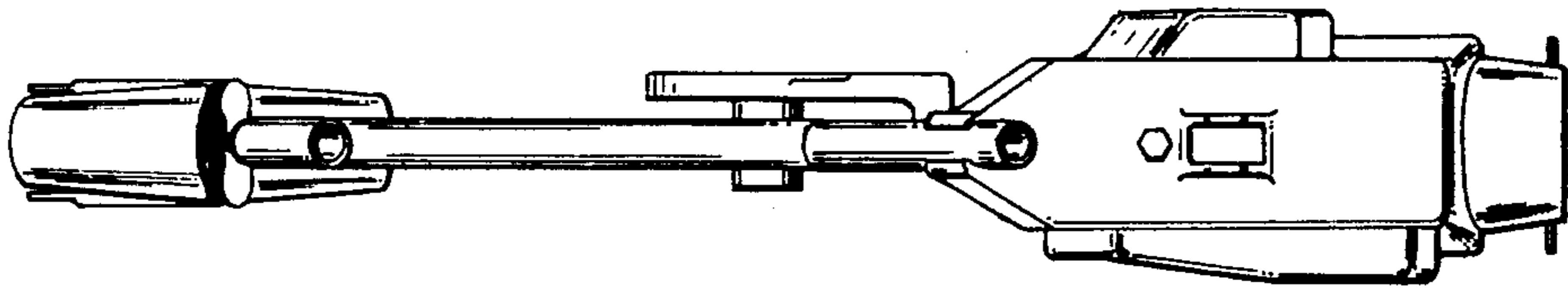


FIG. 4

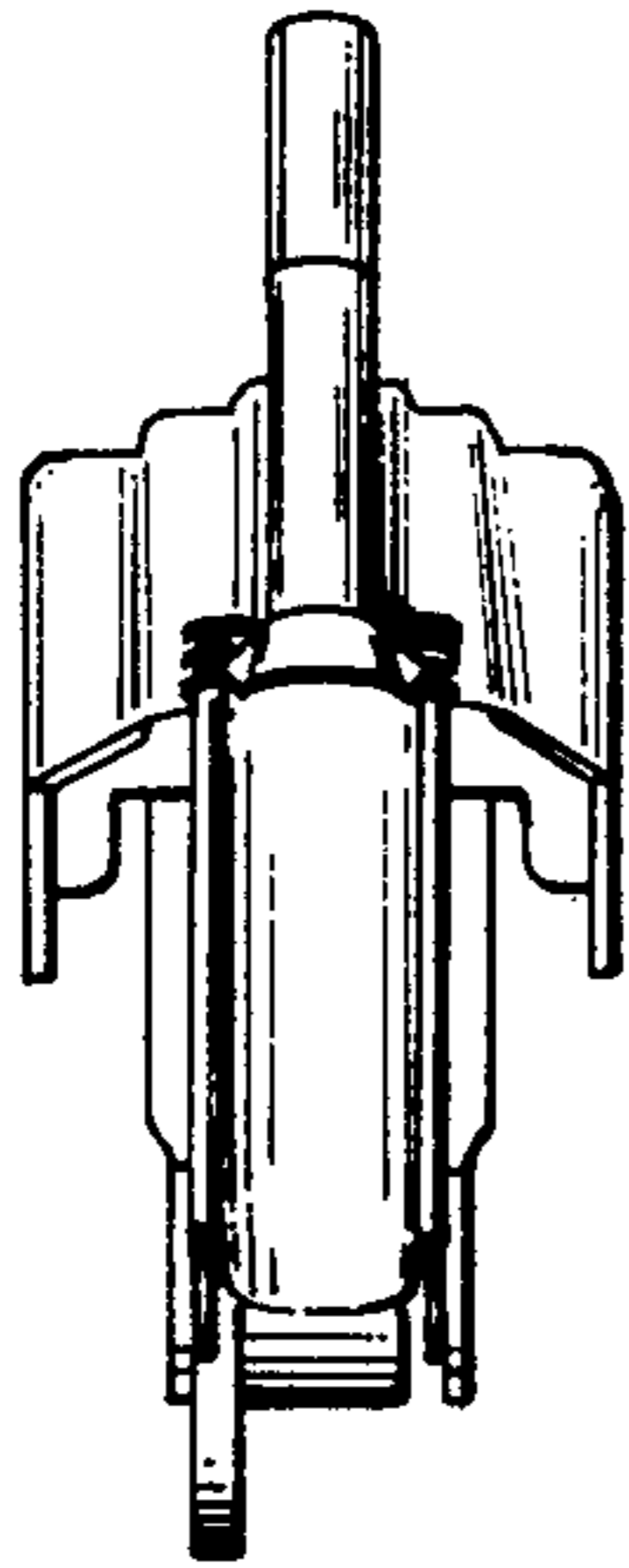


FIG. 5

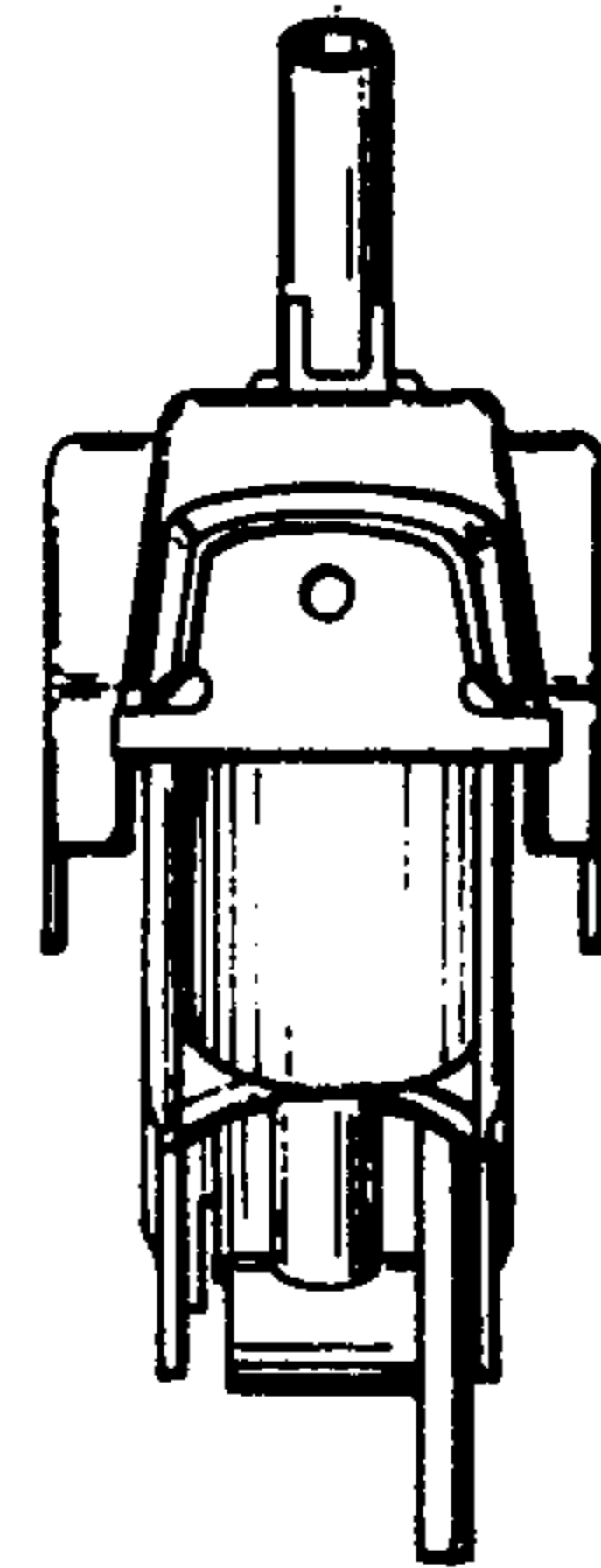


FIG. 6

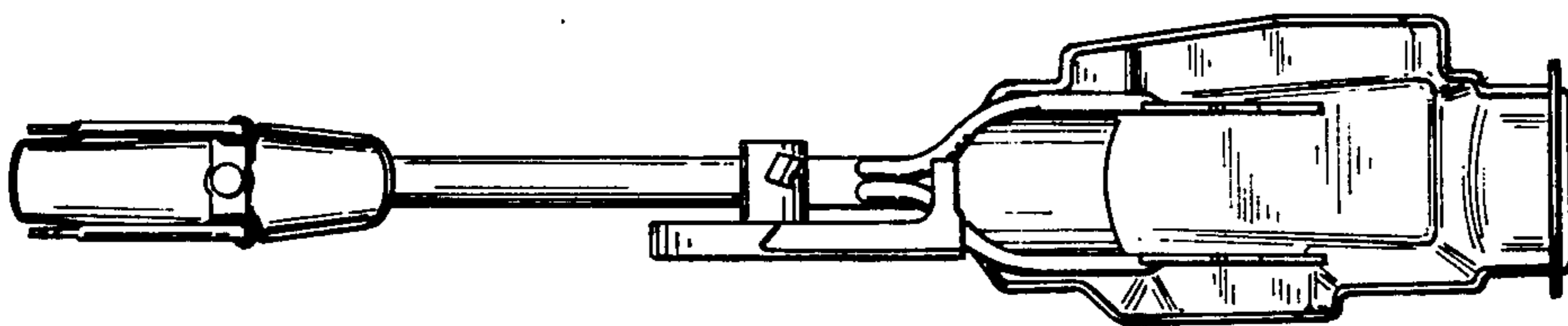


FIG. 7