

[54] MOPED

[75] Inventor: Daniel G. Hahn, Olney, Ill.

[73] Assignee: AMF Incorporated, White Plains, N.Y.

[**] Term: 14 Years

[21] Appl. No.: 935,211

[22] Filed: Aug. 21, 1978

[51] Int. Cl. D12-11

[52] U.S. Cl. D12/110; D12/111

[58] Field of Search D12/110, 111; 180/31, 180/32, 33 R, 33 A, 33 C, 33 D, 34

[56] References Cited

U.S. PATENT DOCUMENTS

D. 240,910 8/1976 Davidson D12/111

FOREIGN PATENT DOCUMENTS

664585 11/1949 United Kingdom 180/33 C

689733 11/1949 United Kingdom 180/33 D

Primary Examiner—James M. Gandy
Attorney, Agent, or Firm—George W. Price

[57] CLAIM

The ornamental design for a moped, as shown.

DESCRIPTION

FIG. 1 is a right side elevational view of a moped showing my new design;

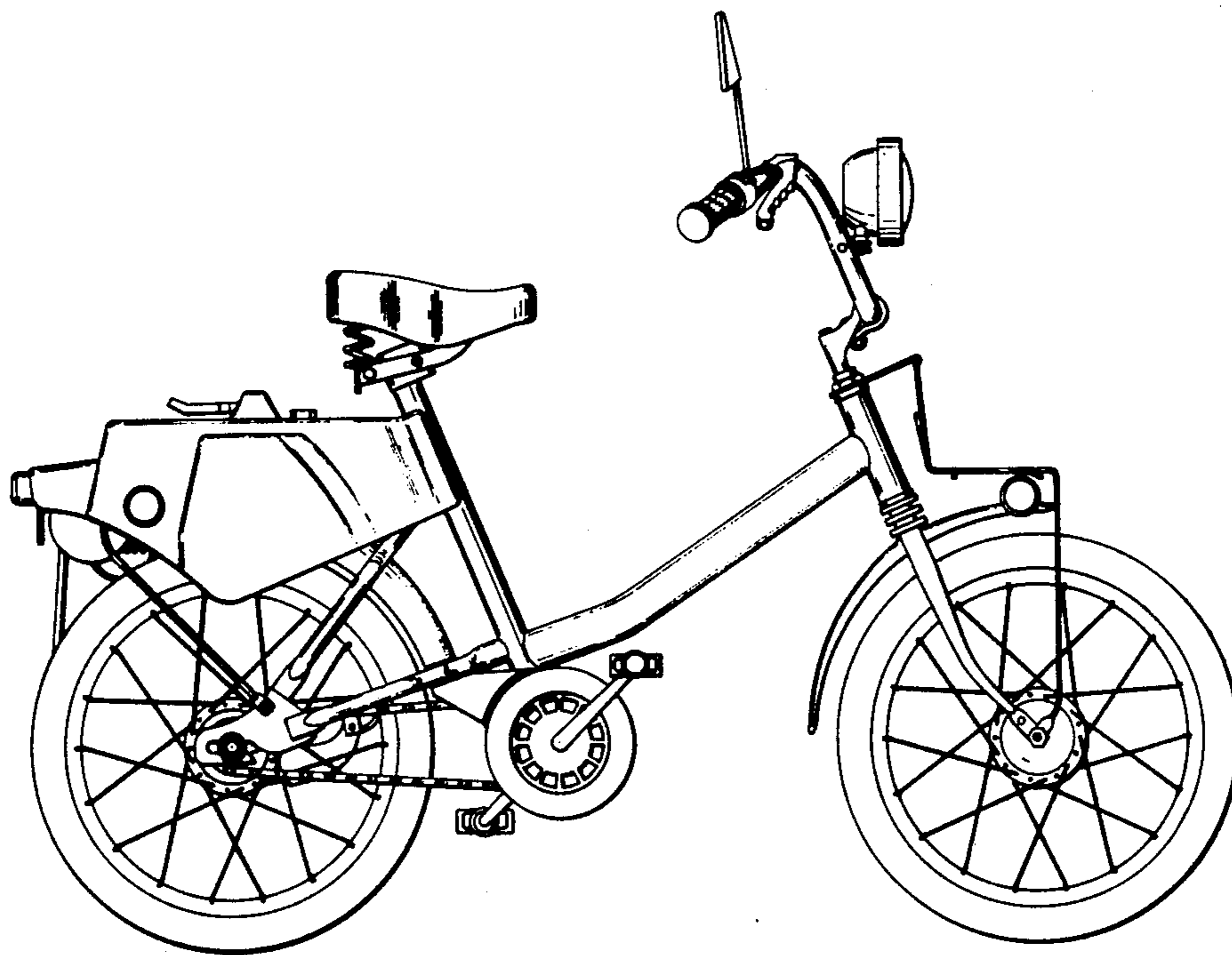
FIG. 2 is a left side elevational view thereof;

FIG. 3 is a top plan view thereof;

FIG. 4 is a front elevational view thereof;

FIG. 5 is a rear elevational view thereof; and

FIG. 6 is a bottom plan view thereof.



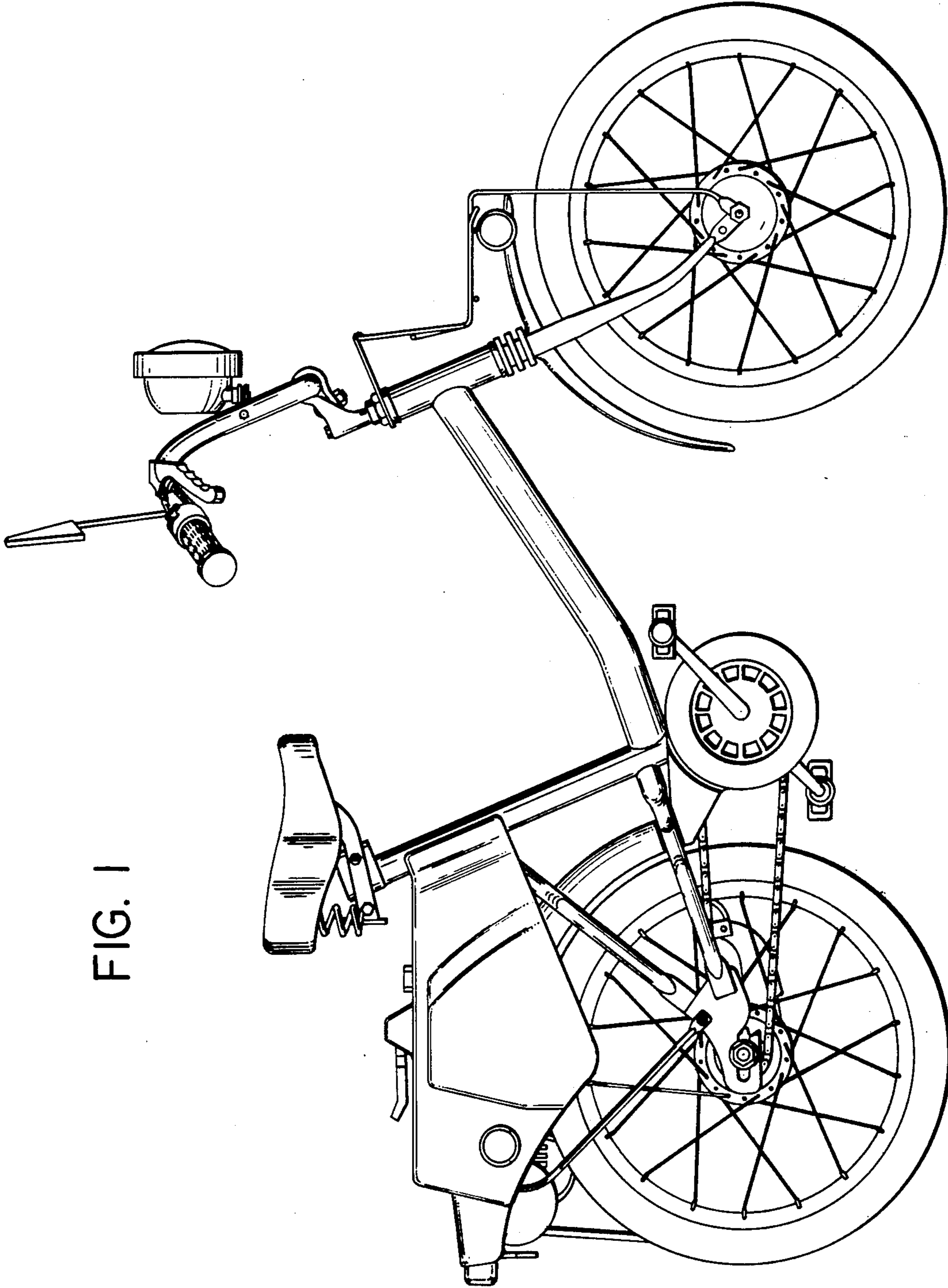
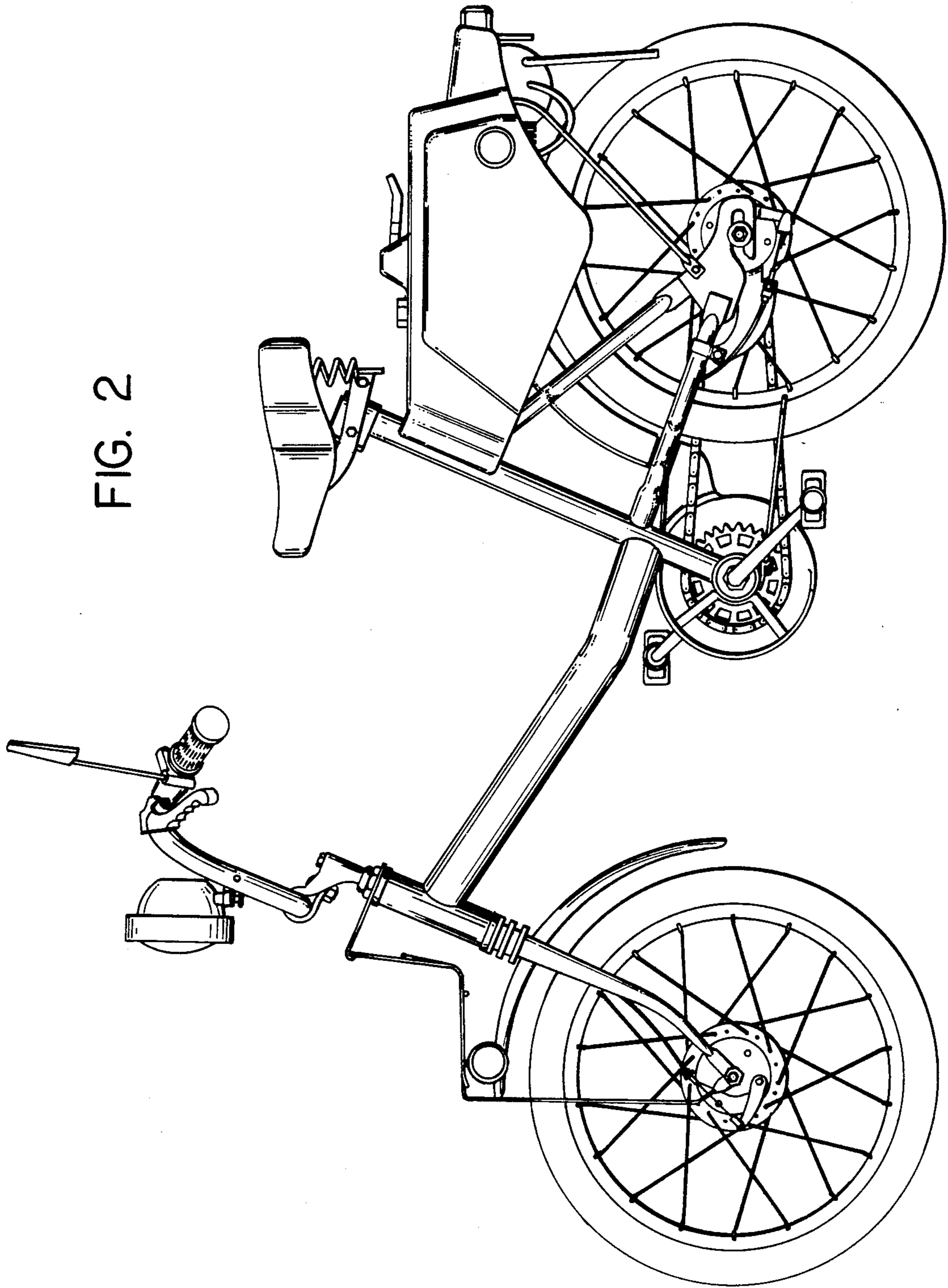


FIG. 1

FIG. 2



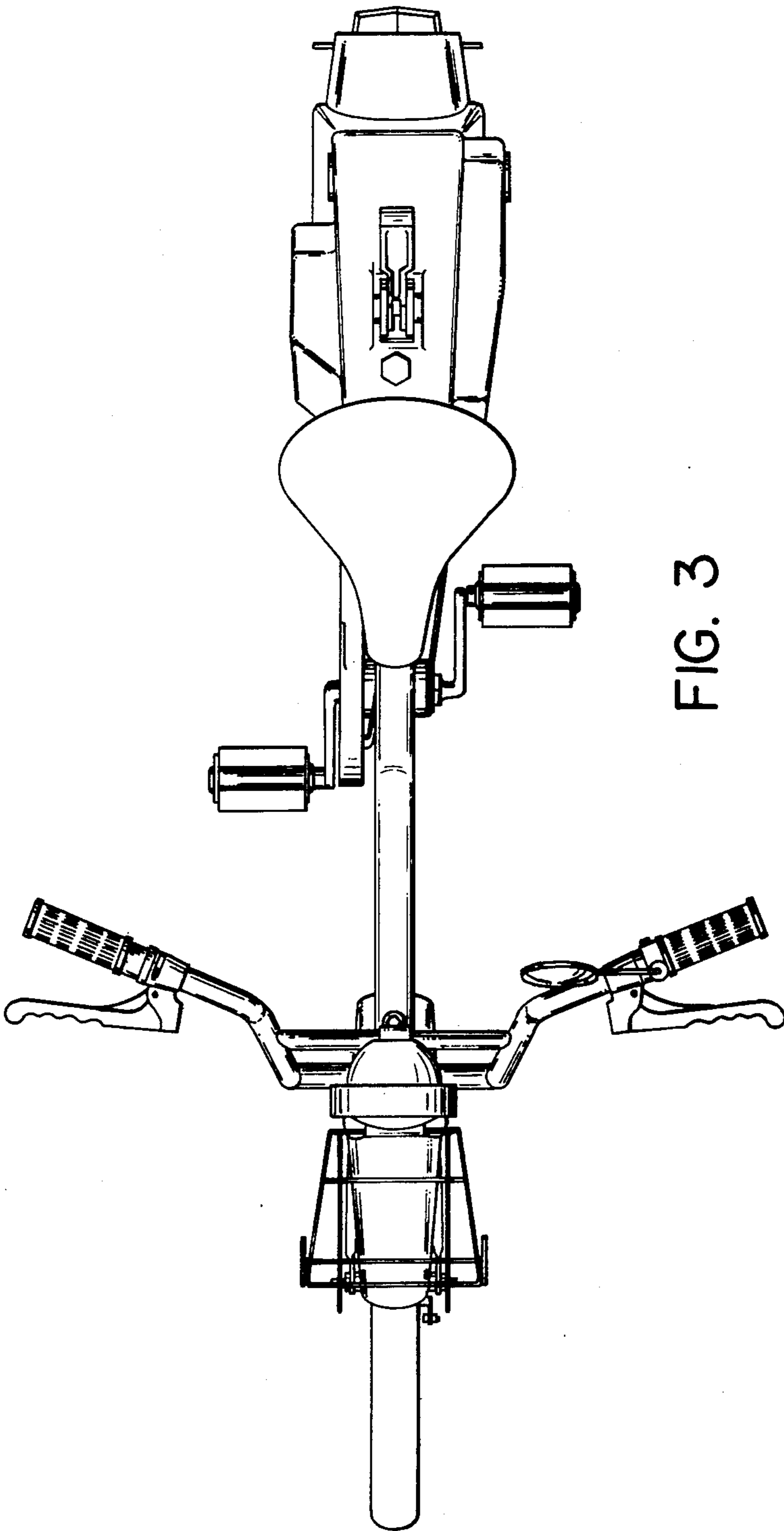


FIG. 3

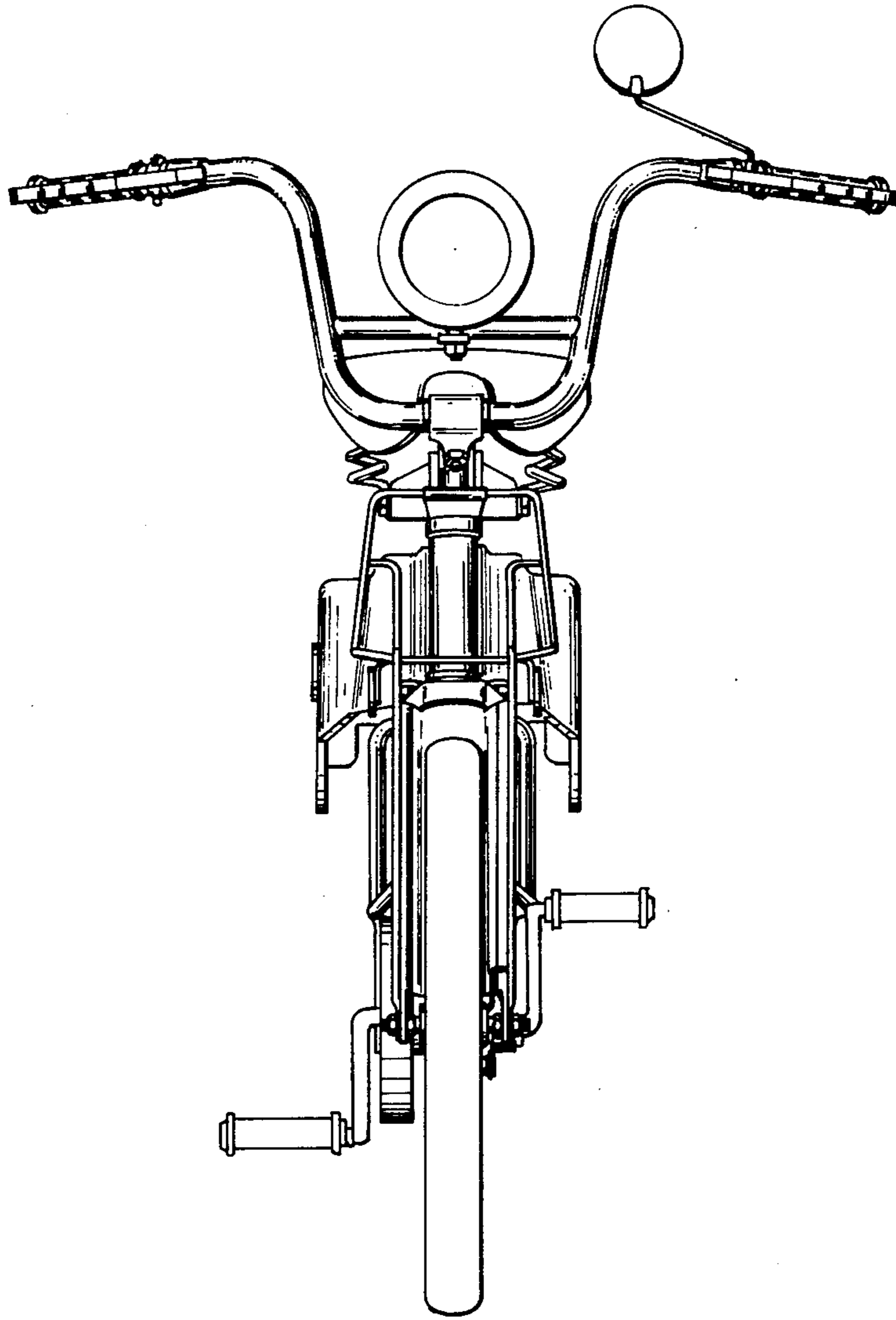


FIG. 4

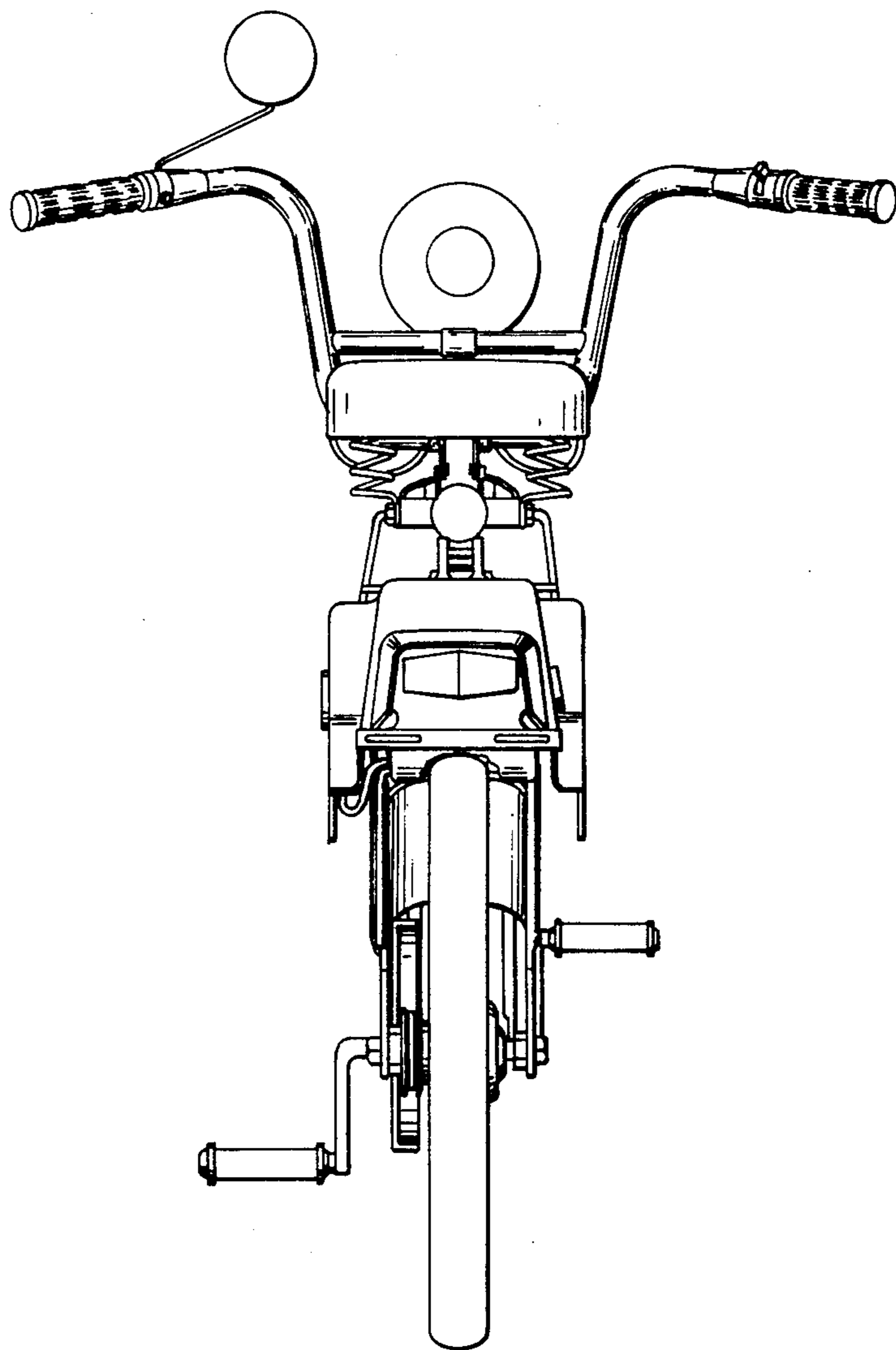


FIG. 5

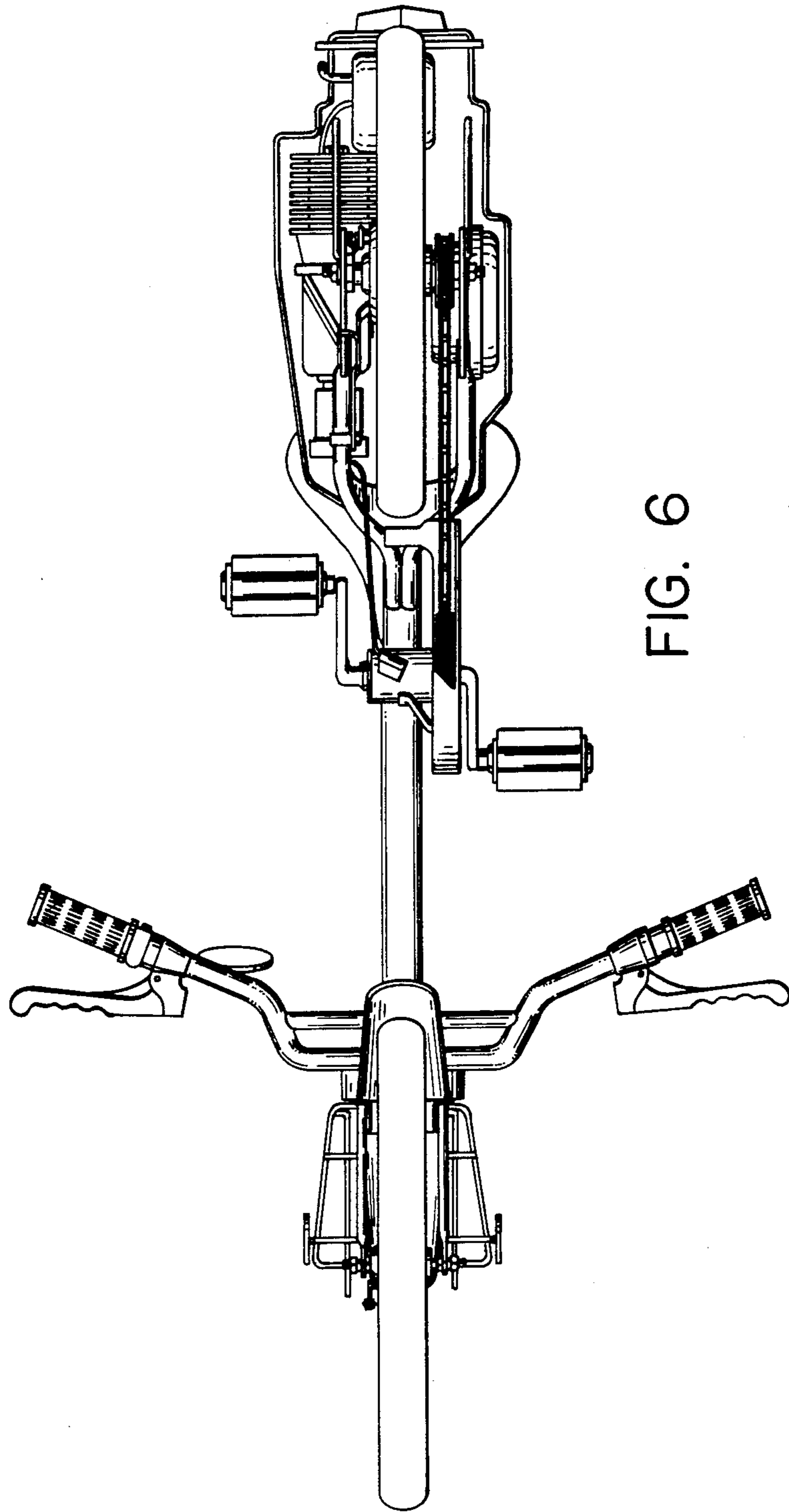


FIG. 6