

[54] OBSERVATION ELEVATOR CAB

- [75] Inventor: David J. Hesford, Belleville, N.J.
- [73] Assignee: Otis Elevator Company, New York, N.Y.
- [**] Term: 14 Years
- [21] Appl. No.: 785,622
- [22] Filed: Apr. 7, 1977
- [51] Int. Cl. D12-05
- [52] U.S. Cl. D12/54; D12/53; D25/37
- [58] Field of Search D12/53, 54, 61; D25/37; 187/6

[56] References Cited

U.S. PATENT DOCUMENTS

- D. 180,095 4/1957 Mitchell D12/61
- 1,616,096 2/1927 Van Doorn et al. D25/37 X

OTHER PUBLICATIONS

Sweets Architectural Catalog File, 1975, section 14.1/Ot, p. 19.

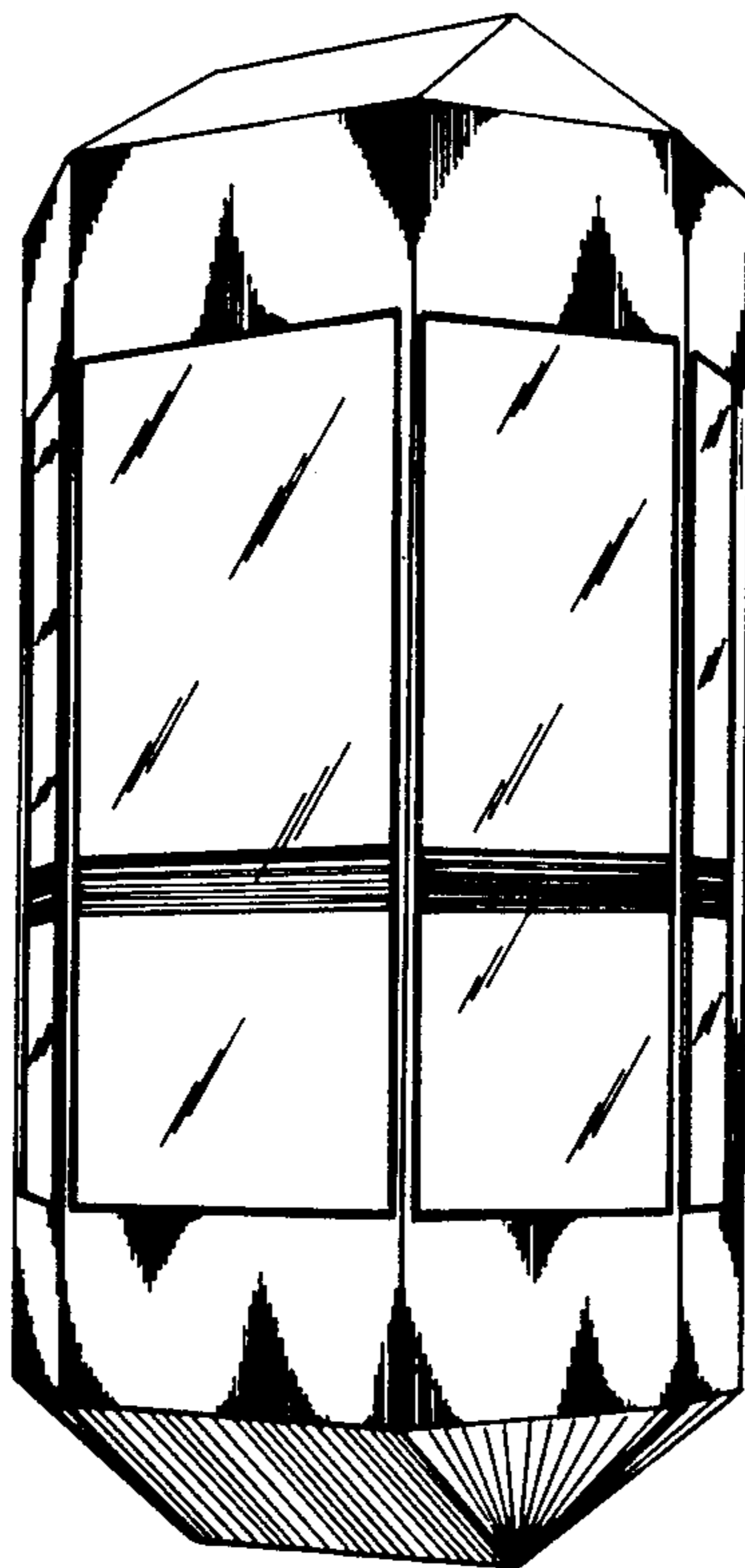
Primary Examiner—A Hugo Word
Attorney, Agent, or Firm—M. P. Williams

[57] CLAIM

The ornamental design for an observation elevator cab, as shown and described herein.

DESCRIPTION

FIG. 1 is a view in perspective of an observation elevator cab according to the invention;
 FIG. 2 is a side view of an observation elevator cab according to the invention;
 FIG. 3 is a frontal view of an observation elevator cab according to the invention;
 FIG. 4 is a bottom view of an observation elevator cab according to the invention.
 FIG. 5 is a top view of an observation elevator cab according to the invention.



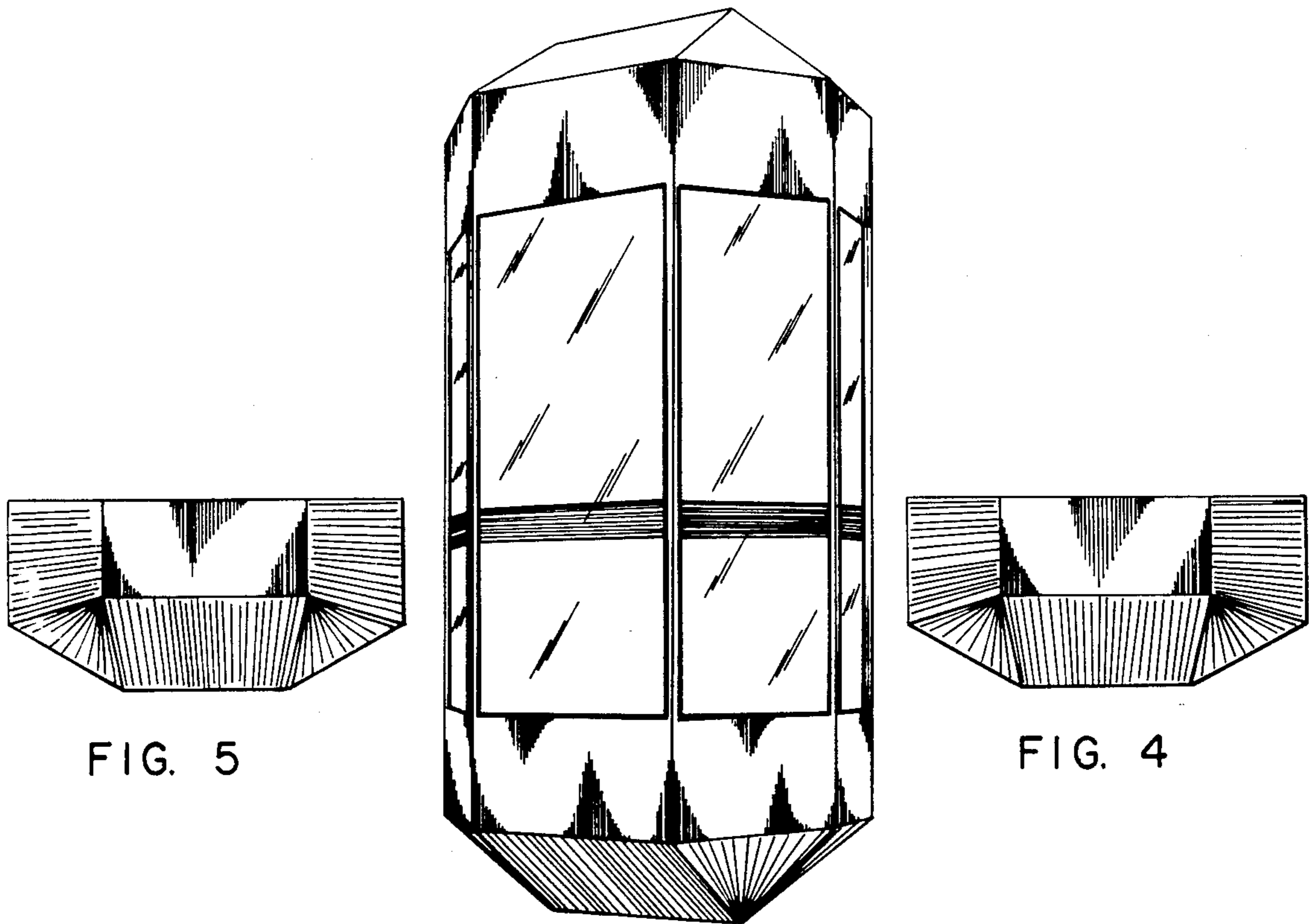


FIG. 5

FIG. 4

FIG. 1

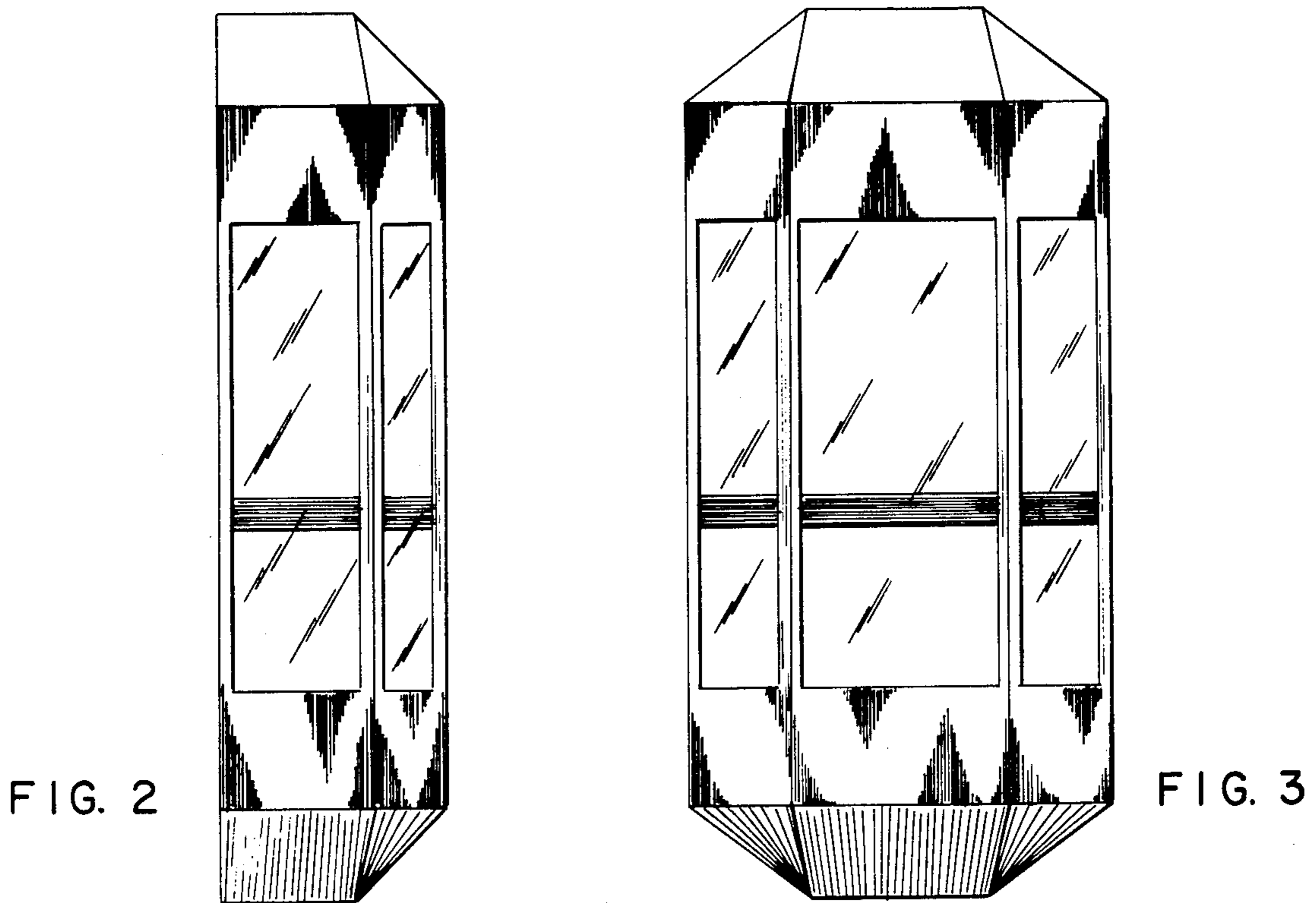


FIG. 2

FIG. 3