

[54] COMBINED LOG RACK AND CARRIER

[76] Inventor: Carl R. Morgan, 4617 David Dr., Bristol, Pa. 19007

[**] Term: 14 Years

[21] Appl. No.: 833,117

[22] Filed: Sep. 14, 1977

[51] Int. Cl. D12-02; D7-08

[52] U.S. Cl. D12/32; D7/206

[58] Field of Search D7/206, 212; D12/1, D12/21, 31, 32; 280/47.13 R, 47.17, 47.24, 47.26; 211/13, 49 R

[56] References Cited

U.S. PATENT DOCUMENTS

D. 174,321 3/1955 Haynes, Sr. D12/32
D. 212,600 11/1968 Bequette, Jr. D12/32

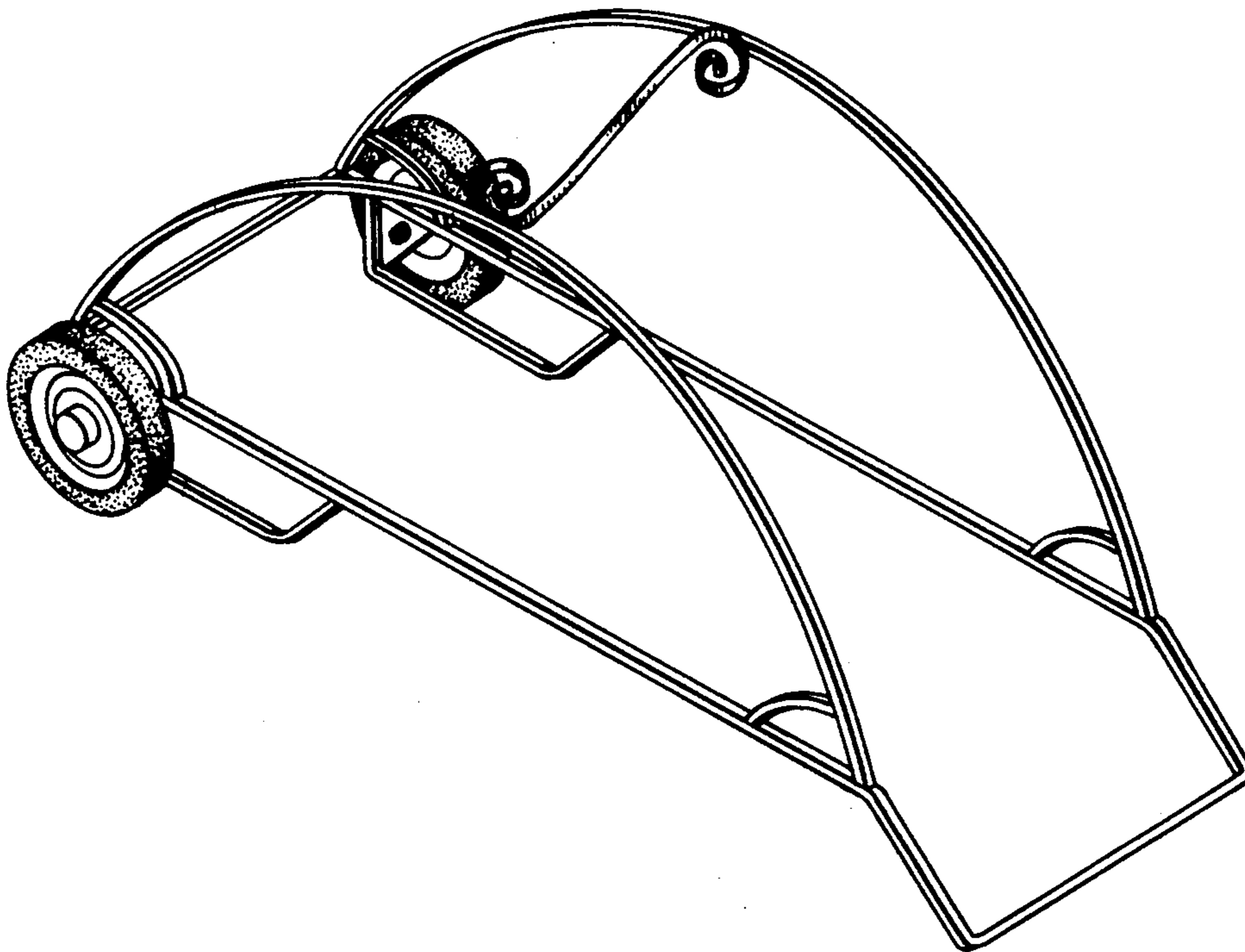
Primary Examiner—Wallace R. Burke
Assistant Examiner—Catherine Kemper
Attorney, Agent, or Firm—Thomas M. Ferrill, Jr.

[57] CLAIM

The ornamental design for a combined log rack and carrier, as shown and described.

DESCRIPTION

FIG. 1 is a perspective view of a combined log rack and carrier, showing my new design;
FIG. 2 is a side elevational view, the opposite side being a mirror image thereof;
FIG. 3 is a top plan view thereof;
FIG. 4 is a front elevational view thereof;
FIG. 5 is a rear elevational view thereof.



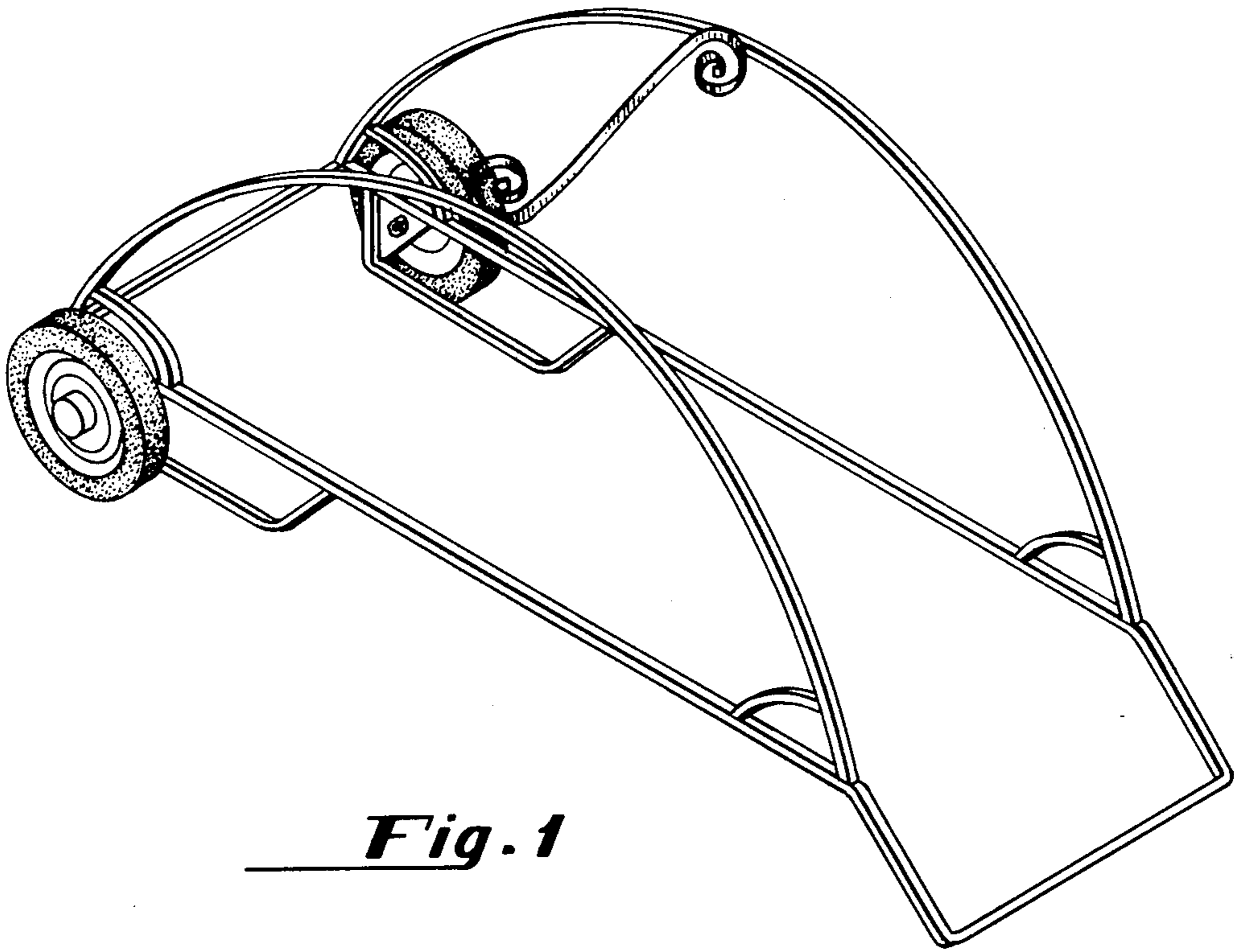


Fig. 1

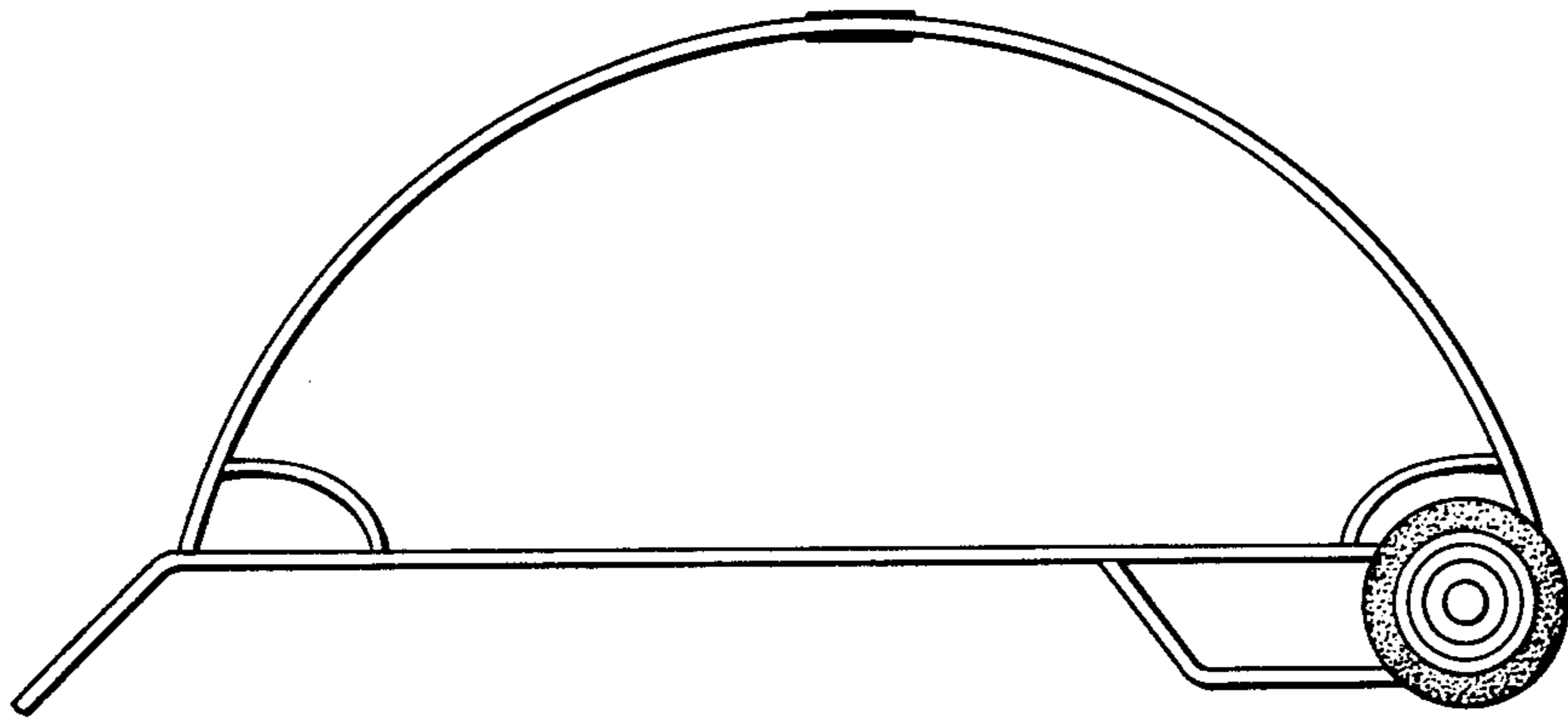


Fig. 2

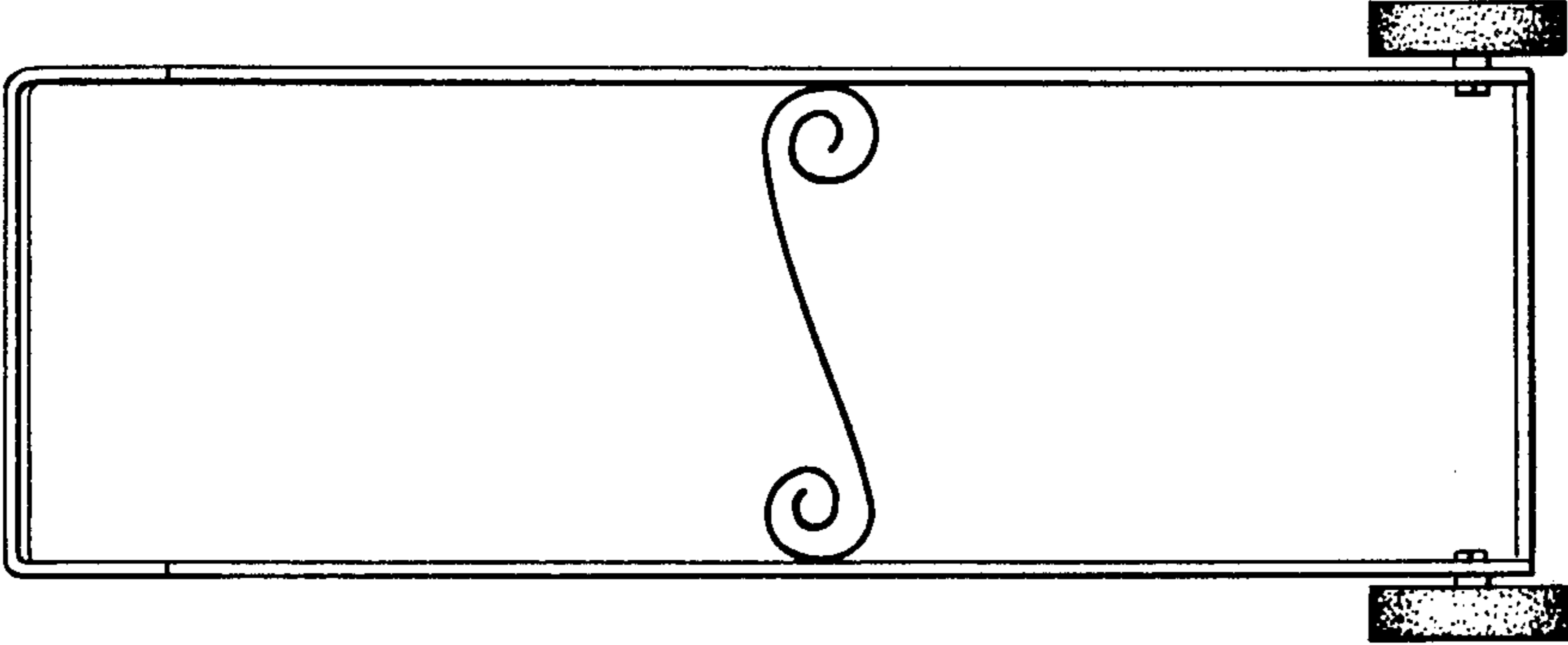


Fig. 3

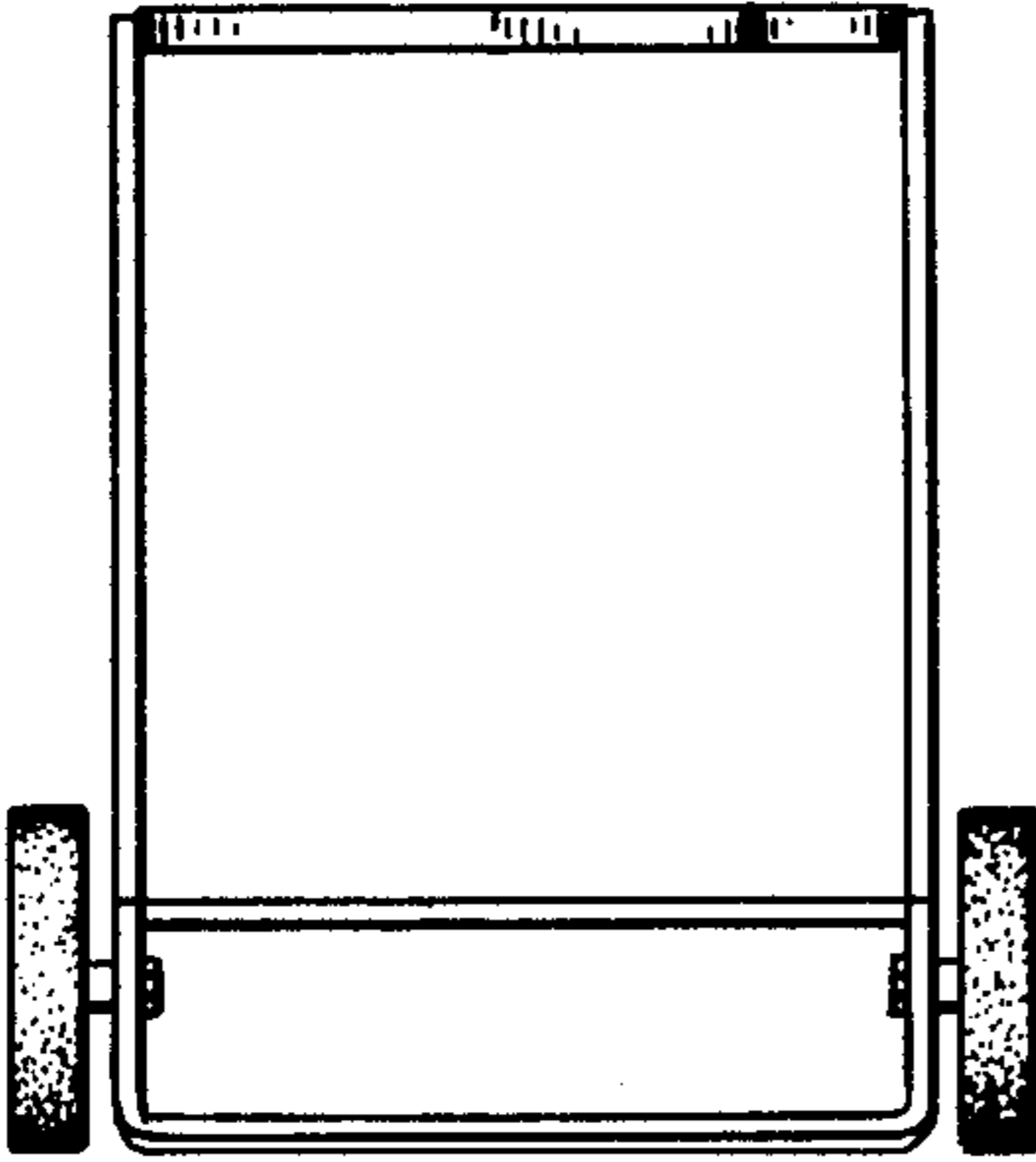


Fig. 4

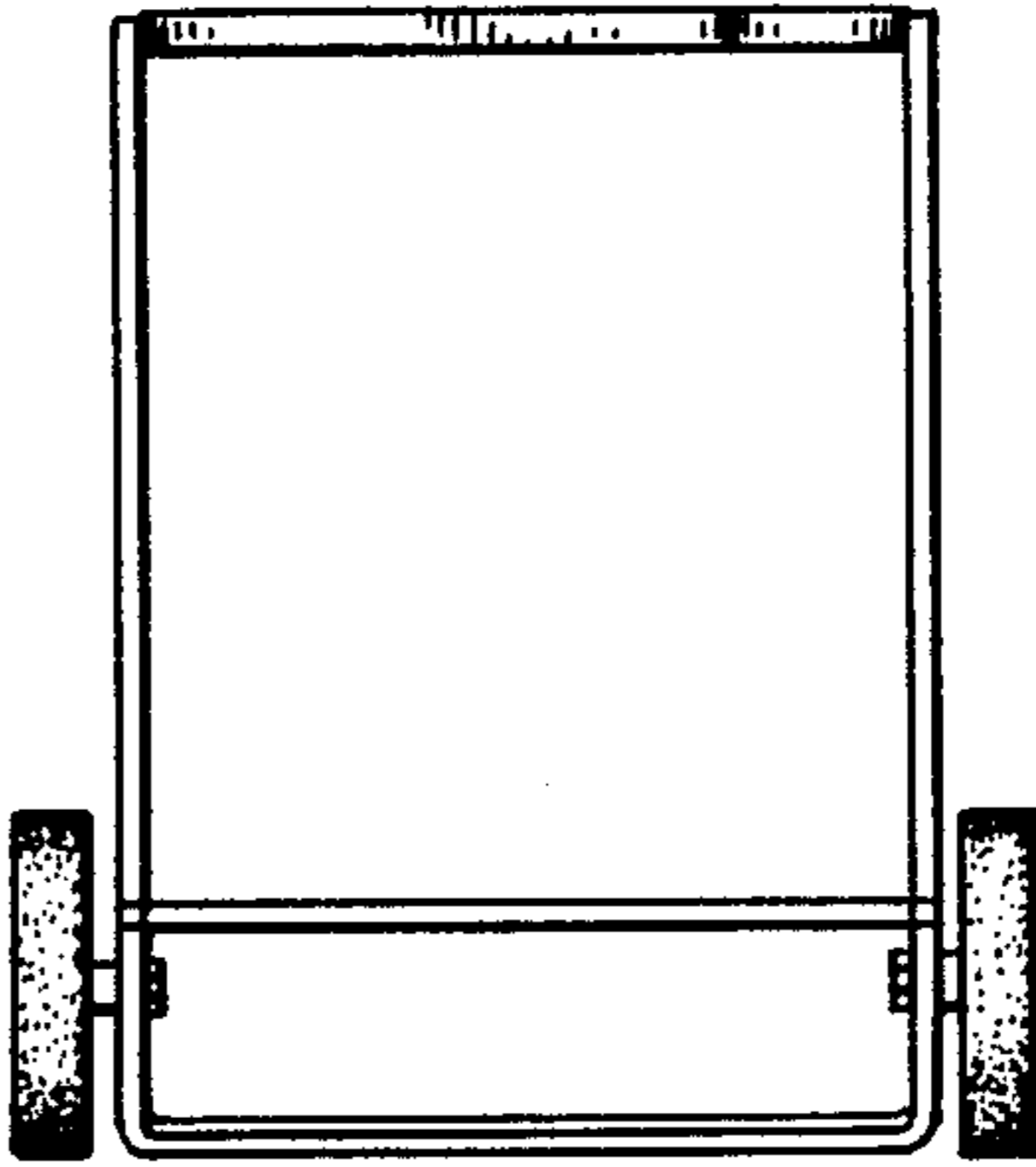


Fig. 5