

[54] JEWELRY CLASP

[75] Inventor: Gary Gudell, Brooklyn, N.Y.

[73] Assignee: Jacoby-Bender, Inc., Woodside, N.Y.

[**] Term: 14 Years

[21] Appl. No.: 785,641

[22] Filed: Apr. 7, 1977

[51] Int. Cl. D11-01

[52] U.S. Cl. D11/87

[58] Field of Search D11/3, 4, 86, 87, 94;
24/73 B, 73 J, 81 B, 81 J, 84 B, 86 B, 225-227;
D2/418, 422

[56] References Cited

U.S. PATENT DOCUMENTS

D. 148,008 12/1947 Chernow D11/87

FOREIGN PATENT DOCUMENTS

649367 1/1951 United Kingdom 24/225

OTHER PUBLICATIONS

Hecht Co. Christmas 1973 Catalog, p. 12, Square Clasp on Bracelet 12L, at bottom left.

Primary Examiner—Louis S. Zarfes
Attorney, Agent, or Firm—Harold James

[57] CLAIM

The ornamental design for "jewelry clasp", substantially as shown and described.

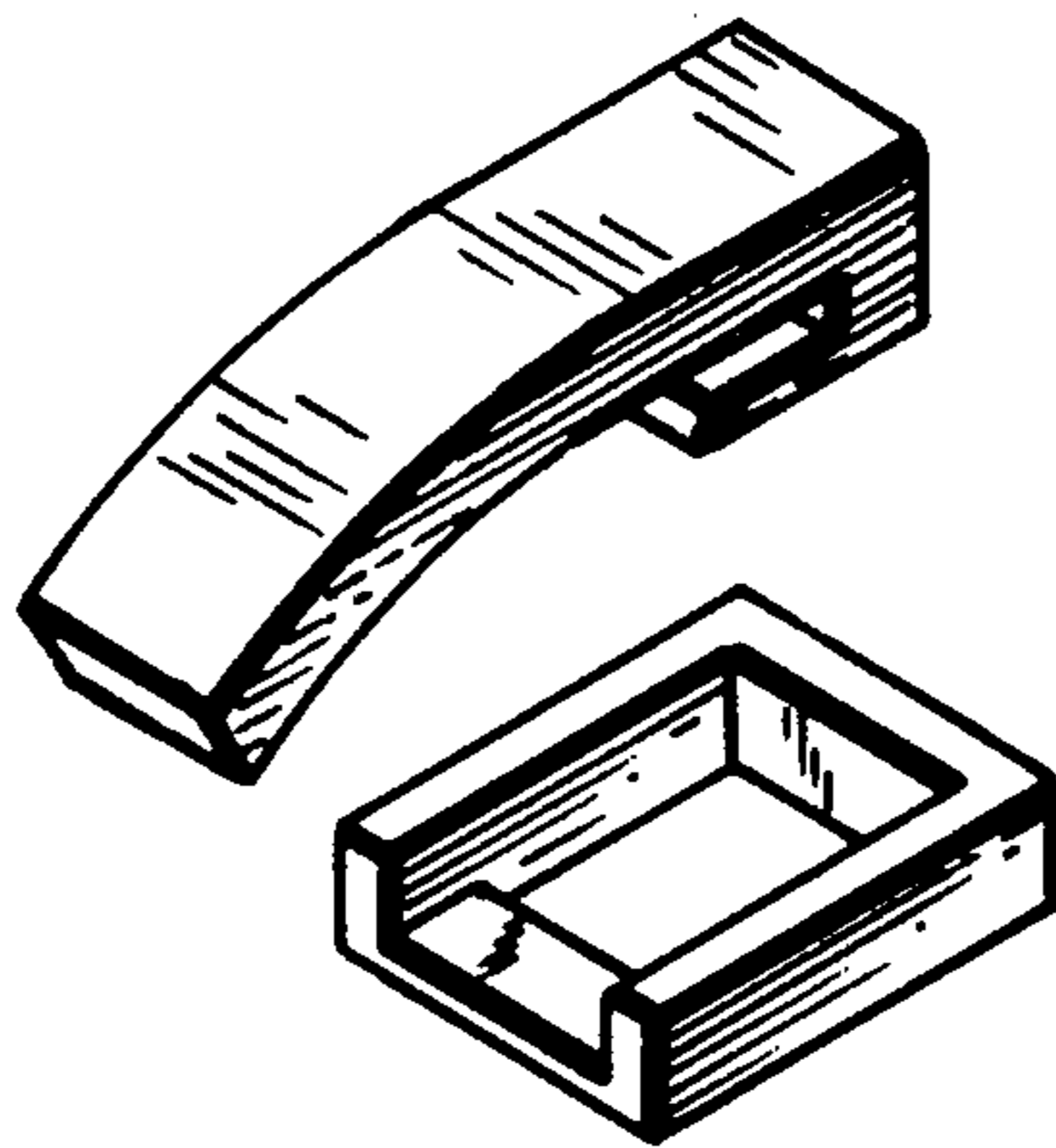
DESCRIPTION

FIG. 1 is a side elevational view of a jewelry clasp showing my design, the opposite side being a mirror image thereof;

FIG. 2 is a top plan view thereof;

FIG. 3 is a bottom plan view thereof; and

FIG. 4 is an exploded isometric view from the top and one side thereof.



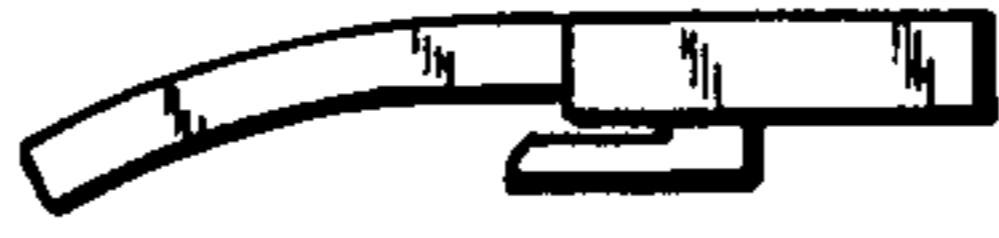


FIG. 1



FIG. 2



FIG. 3

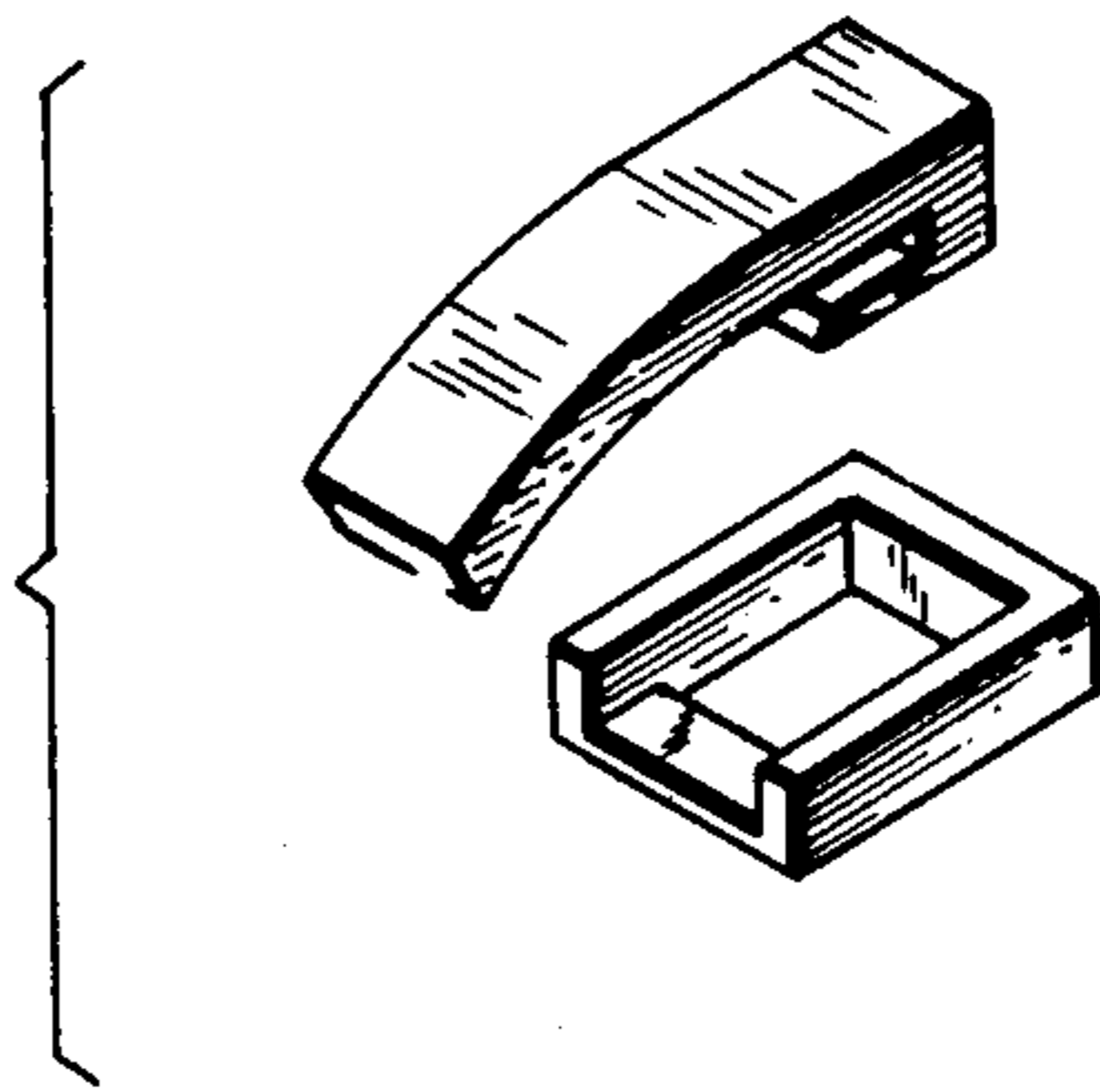


FIG. 4