

[54] COMBINED CLIP AND HOLDER OR THE LIKE

[75] Inventor: Ann K. Fritz, Woonsocket, R.I.

[73] Assignee: Dart Industries Inc., Los Angeles, Calif.

[**] Term: 14 Years

[21] Appl. No.: 904,717

[22] Filed: May 10, 1978

[51] Int. Cl. D8-08

[52] U.S. Cl. D8/395; D8/394; D8/396

[58] Field of Search 16/87.2; 248/248, 304; 24/73 PP, 73 R, 73 MF; 78/354, 382, 394, 395, 396, 366

[56] References Cited

U.S. PATENT DOCUMENTS

1,867,156	7/1932	Jackson	248/304	X
2,527,228	10/1950	Overman	248/248	X
2,828,900	4/1958	Roy	16/87.2	X

Primary Examiner—A. Hugo Word
Attorney, Agent, or Firm—Leigh B. Taylor

[57] CLAIM

The ornamental design for a combined clip and holder or the like, substantially as is shown and described.

DESCRIPTION

FIG. 1 is a top perspective view of the combined clip and holder or the like embodying our ornamental design and illustrating the environment in which it is employed;

FIG. 2 is a top perspective view thereof;

FIG. 3 is a top plan view thereof;

FIG. 4 is a front elevational view thereof;

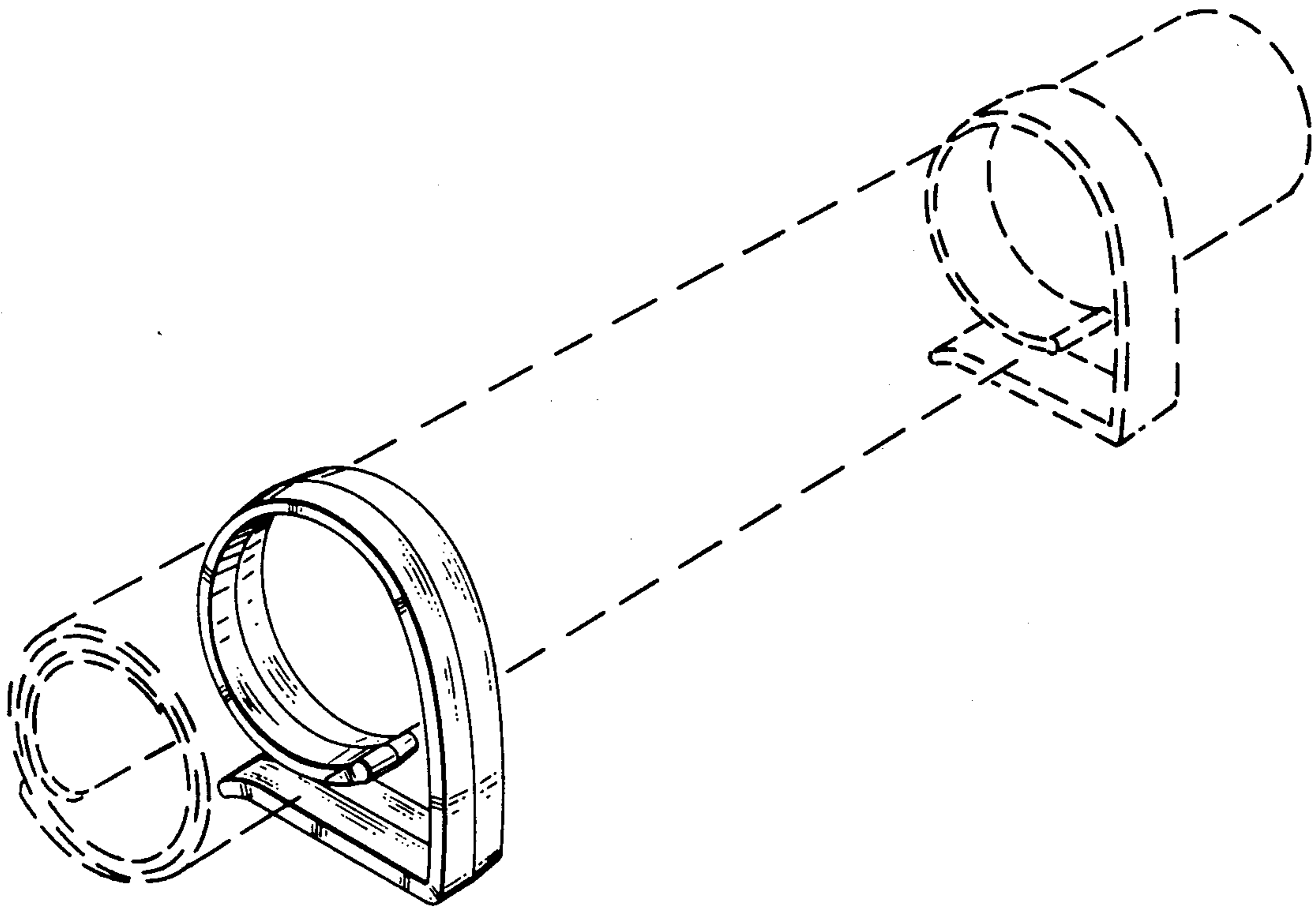
FIG. 5 is a side elevational view thereof;

FIG. 6 is a rear elevational view thereof;

FIG. 7 is a bottom plan view thereof; and

FIG. 8 is a cross-sectional view thereof taken along line 8-8 of FIG. 3.

The broken lines showing the second clip and a rolled sheet of flexible material are disclosed for illustrative purposes only and form no part of the claimed design.



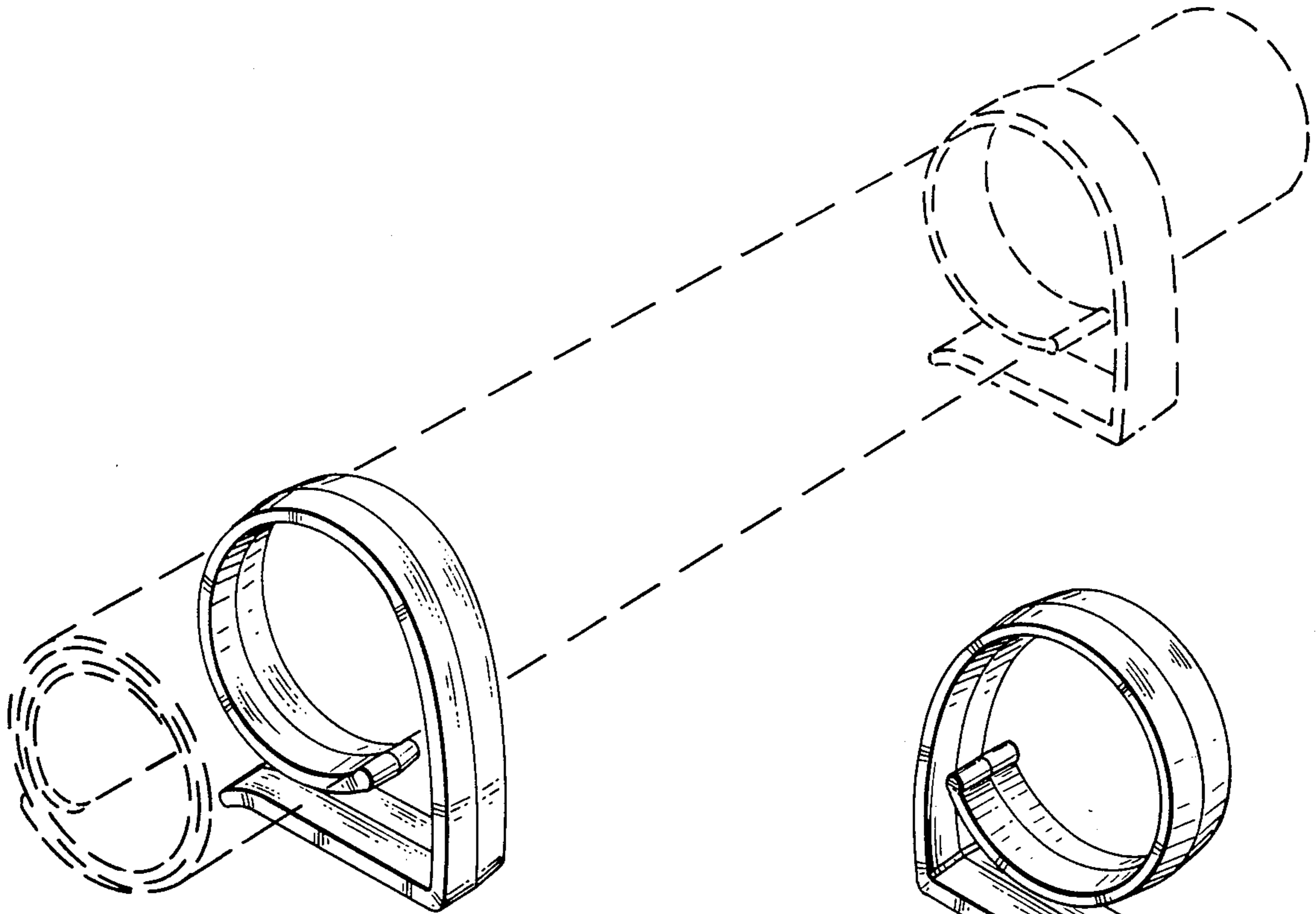


FIG.1

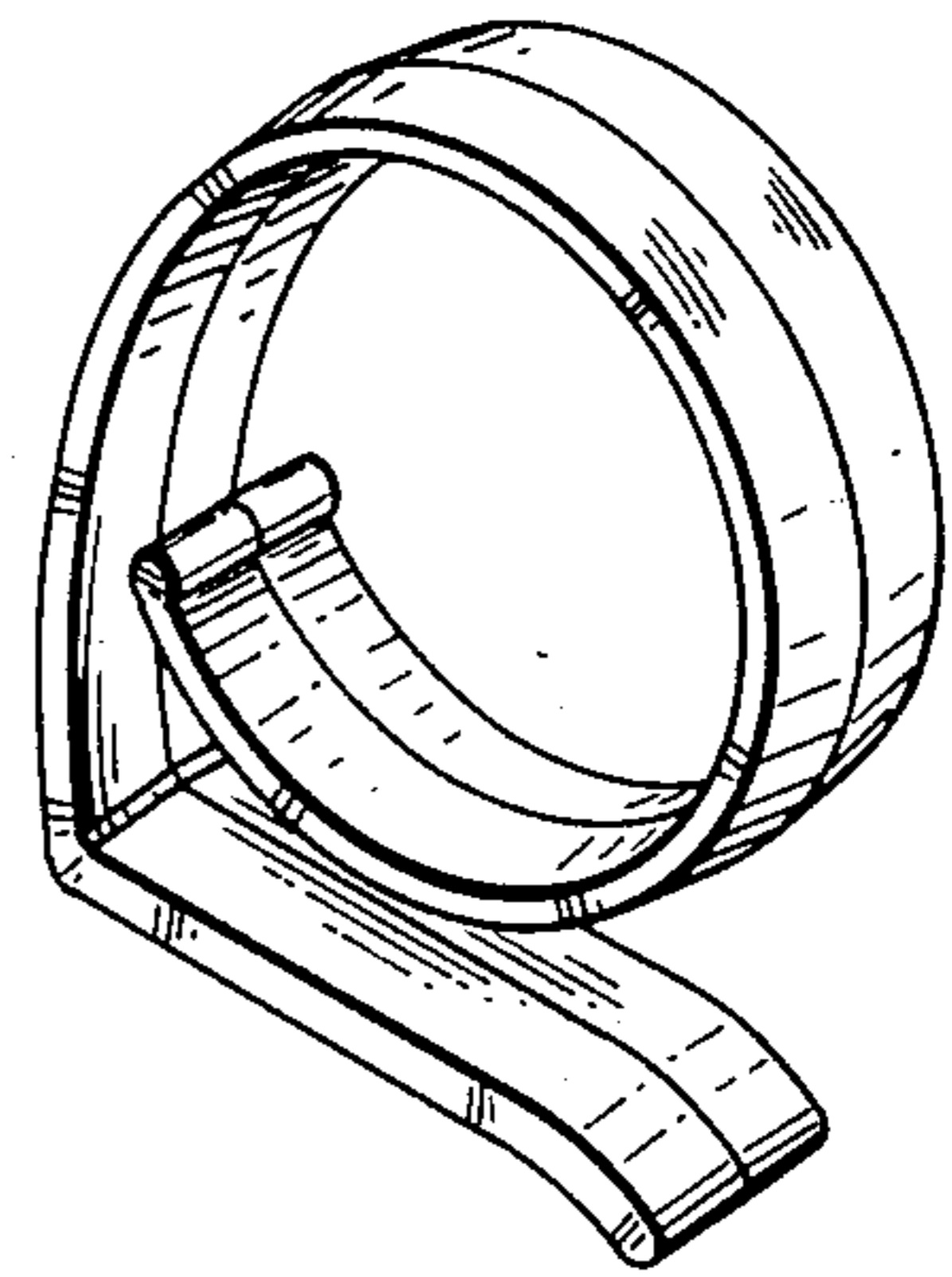


FIG.2

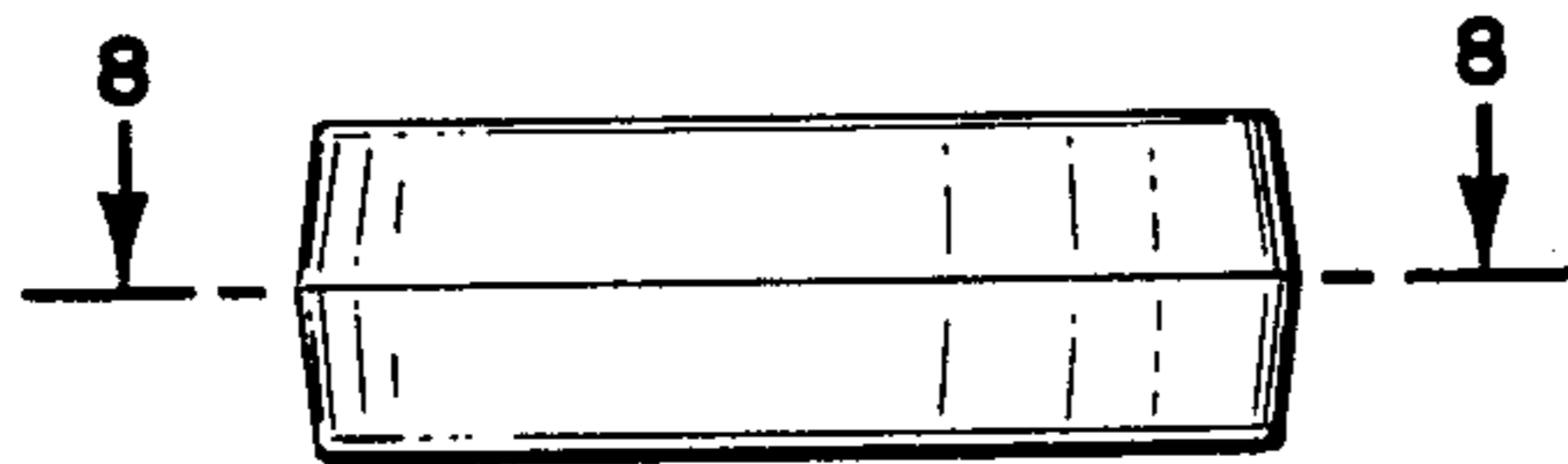


FIG.3

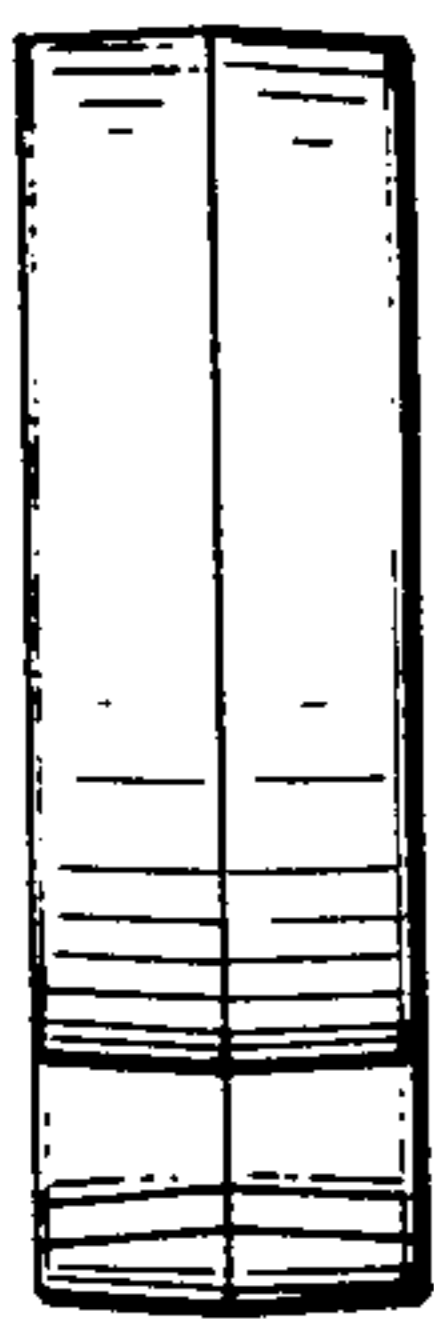


FIG.4

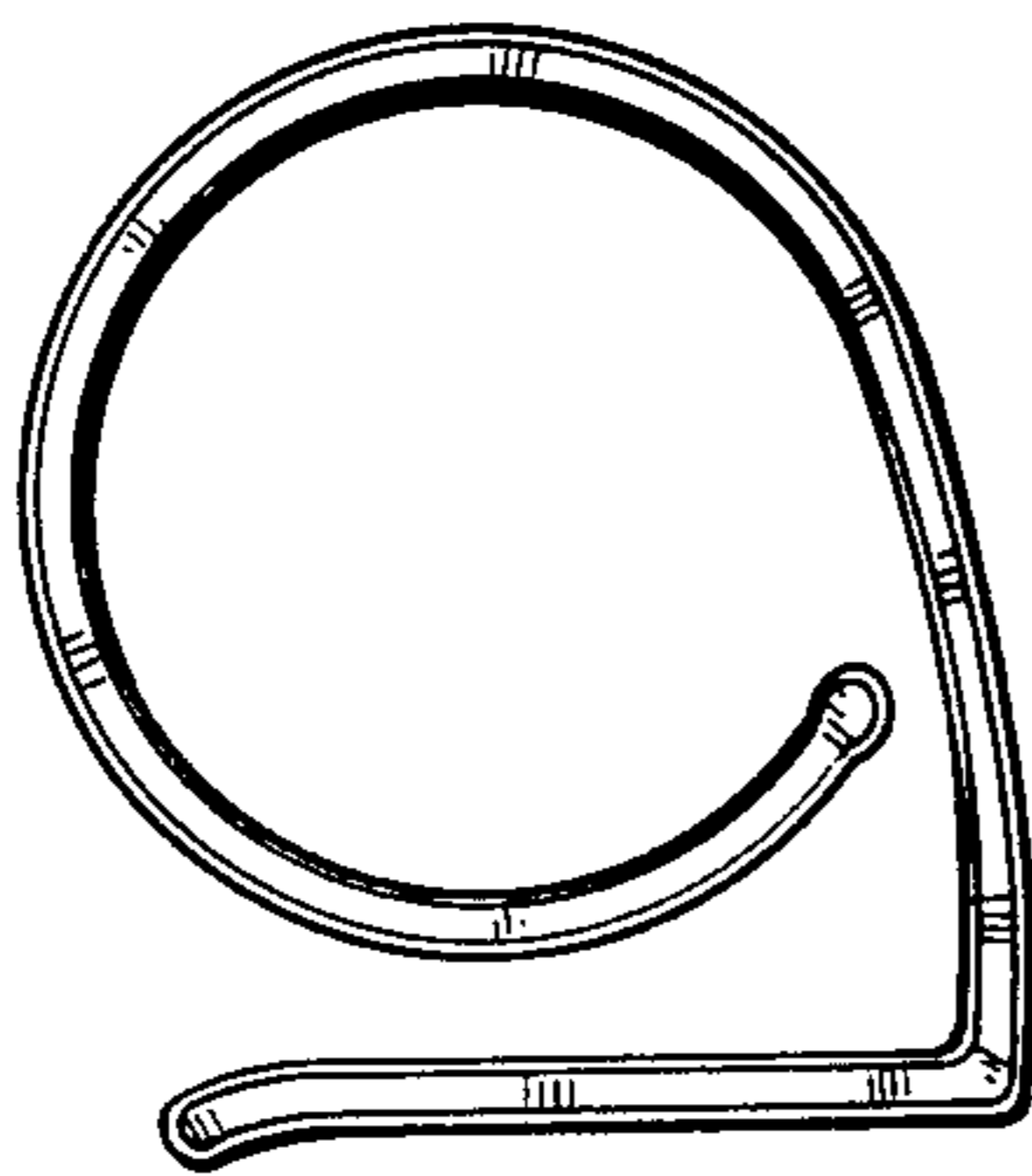


FIG.5



FIG.6

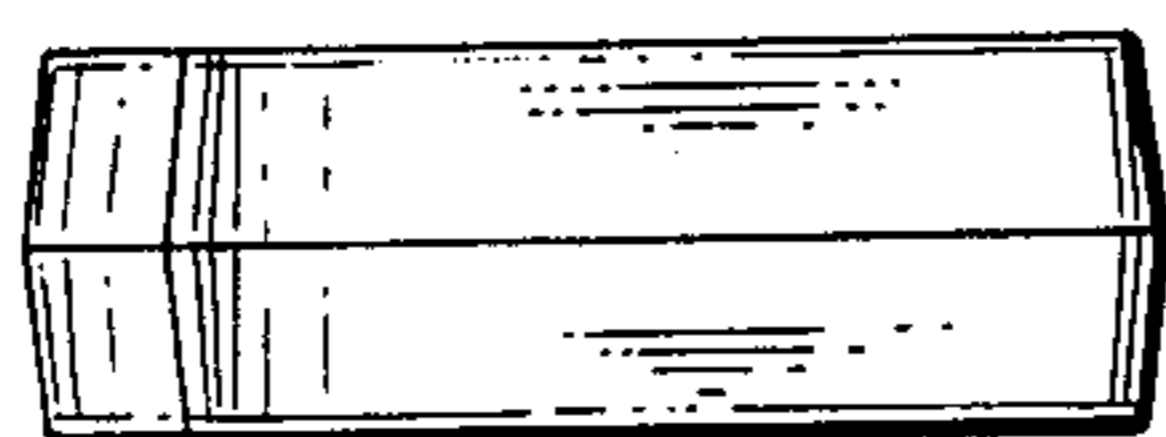


FIG.7

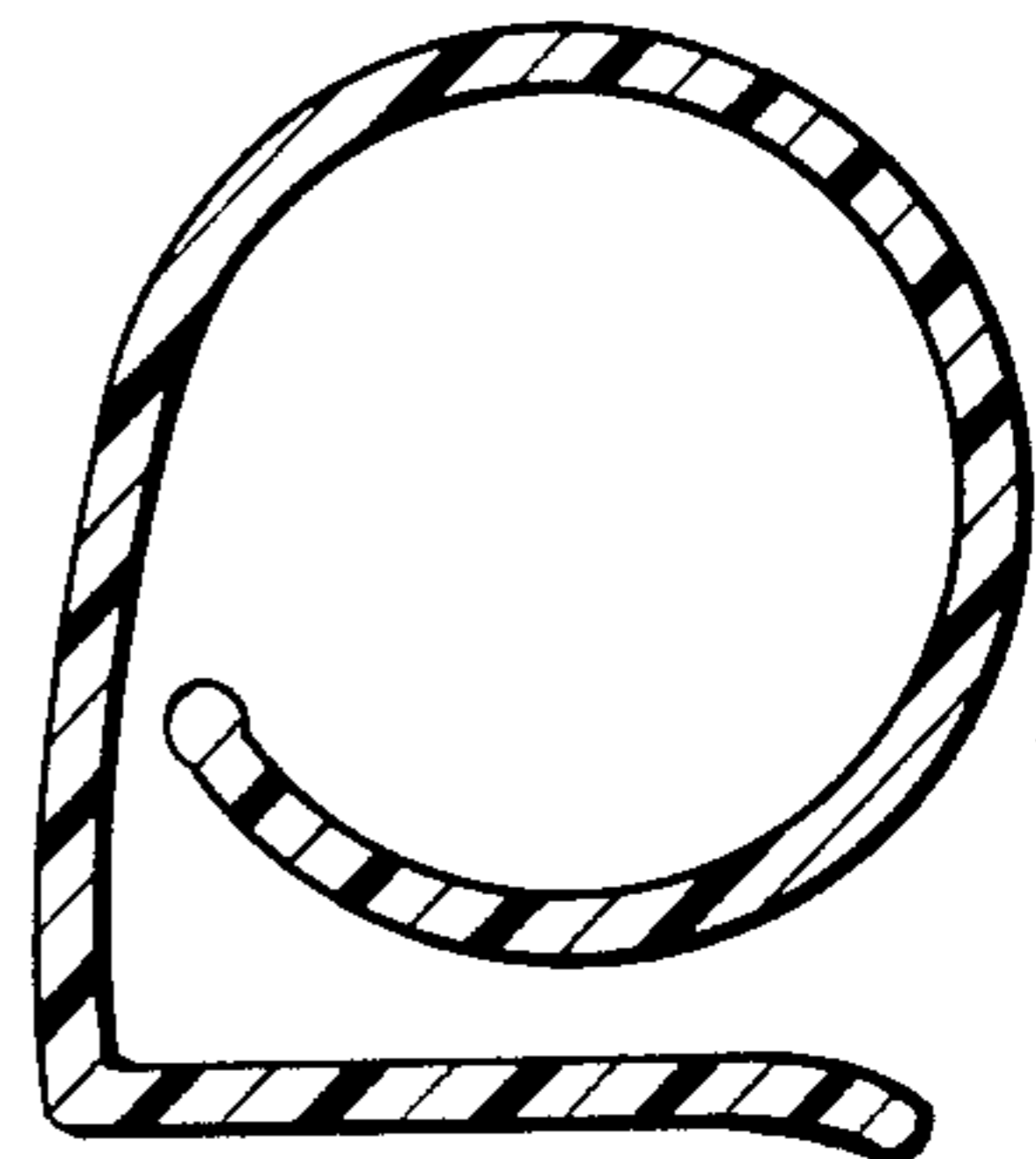


FIG.8