

[54] TOOL HOLDING FIXTURE

[75] Inventor: Kenneth Reiner, Long Beach, Calif.

[73] Assignee: Kayline Enterprises, Inc., Long Beach, Calif.

[\*\*] Term: 14 Years

[21] Appl. No.: 793,795

[22] Filed: May 4, 1977

[51] Int. Cl. .... D8-05

[52] U.S. Cl. .... D8/71; D15/140

[58] Field of Search .... D8/71; D15/140; 248/117.1, 117.2, 117.7, 226.4

[56] References Cited

U.S. PATENT DOCUMENTS

- 2,048,458 7/1936 McLhinney ..... 248/117.7
- 2,423,933 7/1947 Gosh ..... 248/226.4 X

2,939,667 6/1960 Elliston ..... 248/117.7

Primary Examiner—Alan P. Douglas  
Attorney, Agent, or Firm—T. L. Stam

[57] CLAIM

The ornamental design for a tool holding fixture, as shown and described.

DESCRIPTION

FIG. 1 is perspective view of a tool holding fixture showing my new design.

FIG. 2 is a top plan view of my new design.

FIG. 3 is a front elevation.

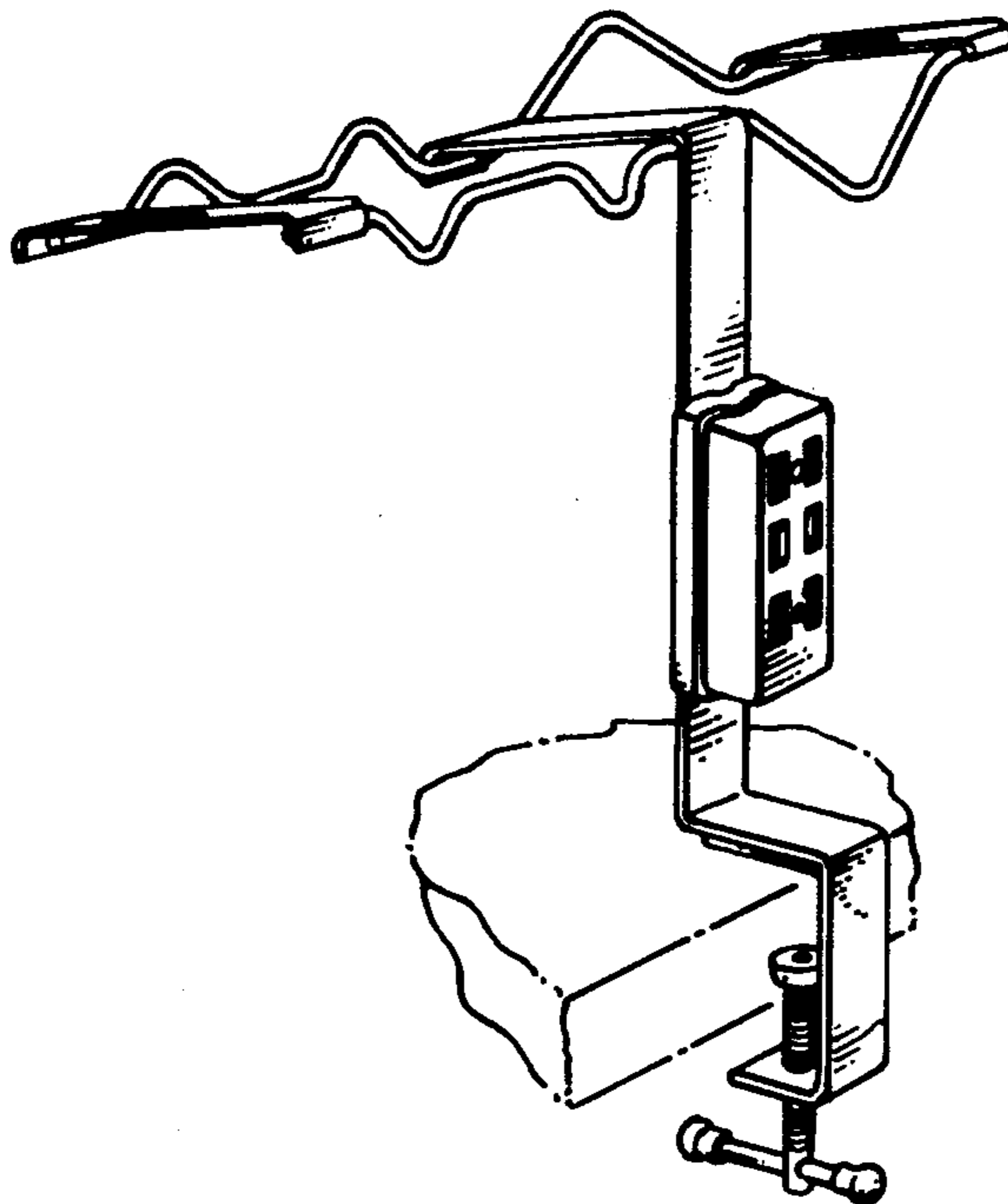
FIG. 4 is a bottom view.

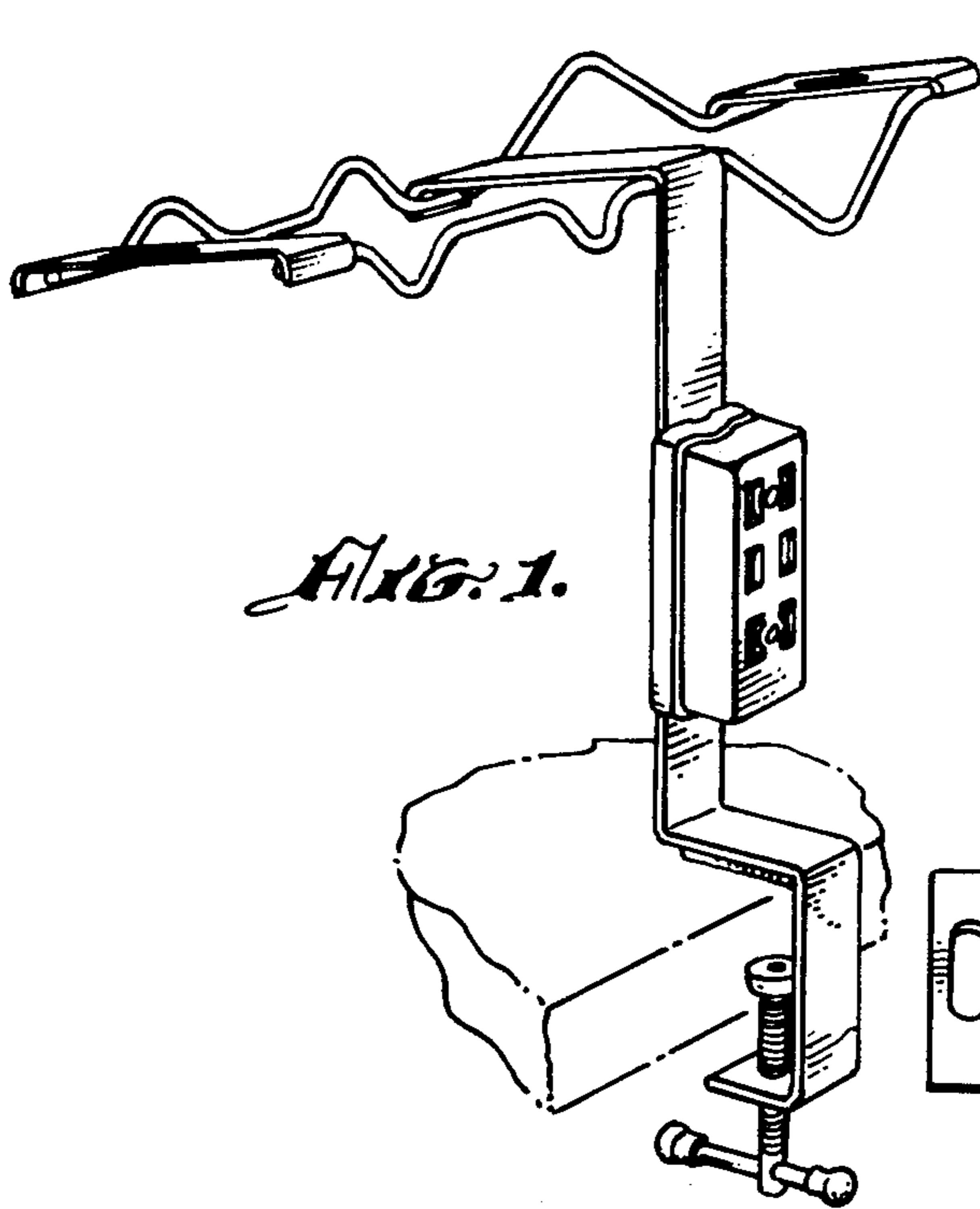
FIG. 5 is a right side elevation of the FIG. 3 showing.

FIG. 6 is a left side elevation.

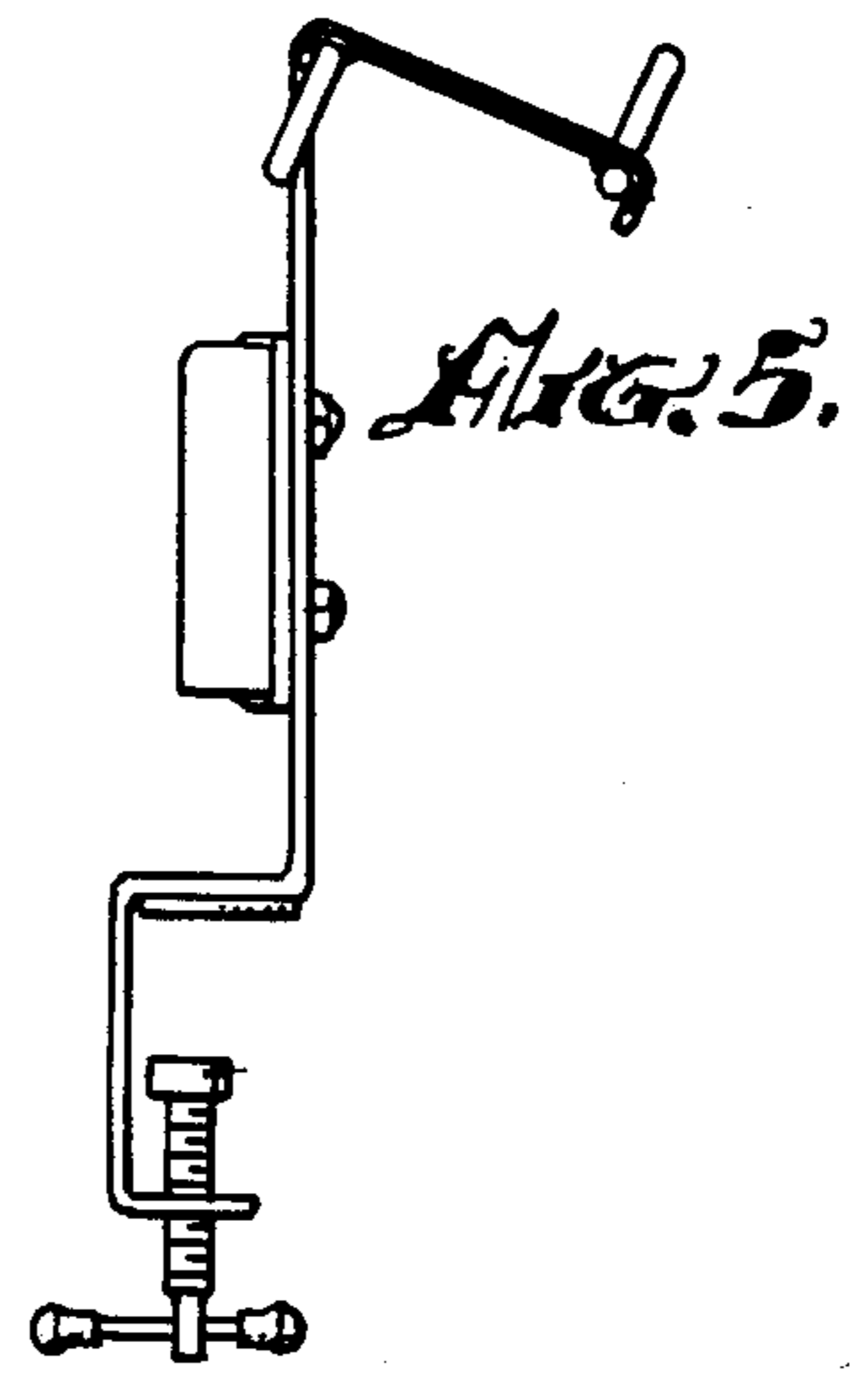
FIG. 7 is a rear elevation.

The fragmentary broken line disclosure in FIG. 1 is for illustrative purposes only.

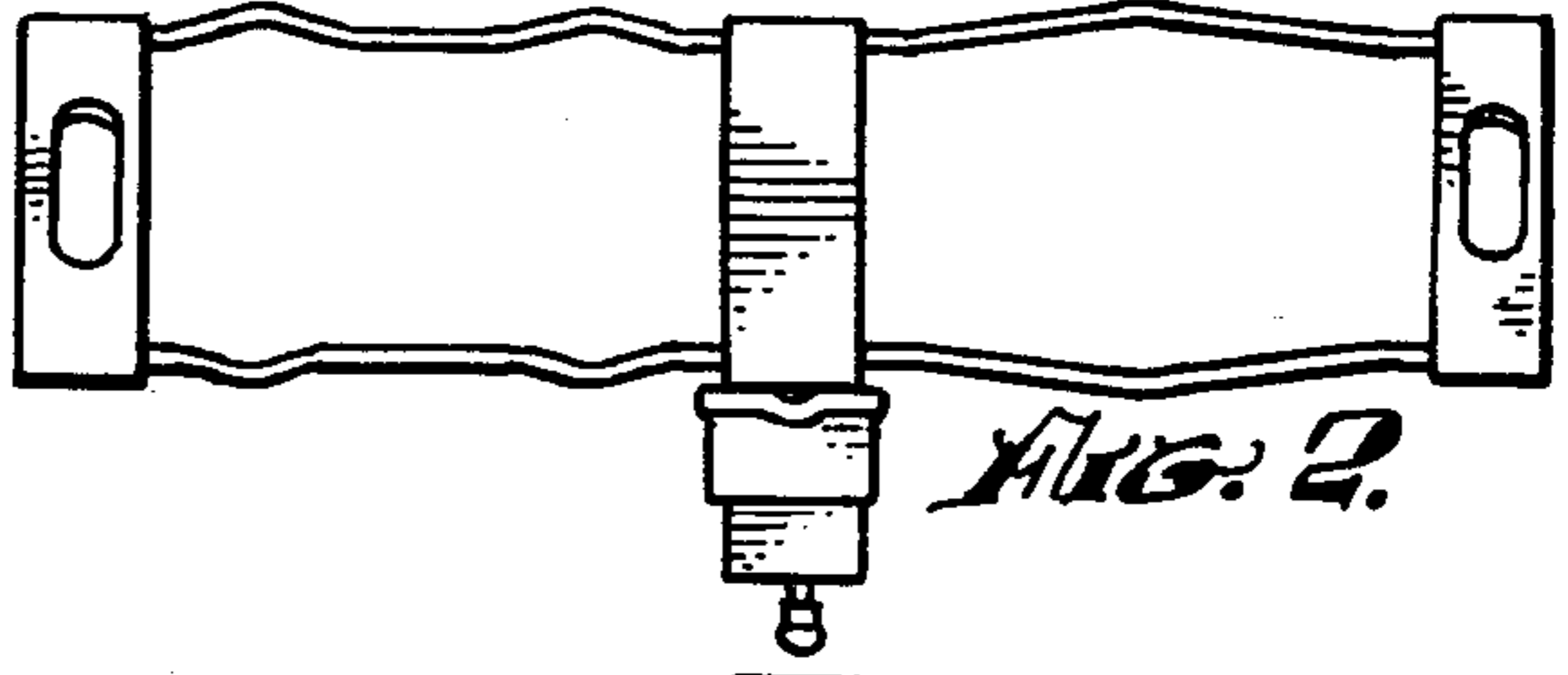




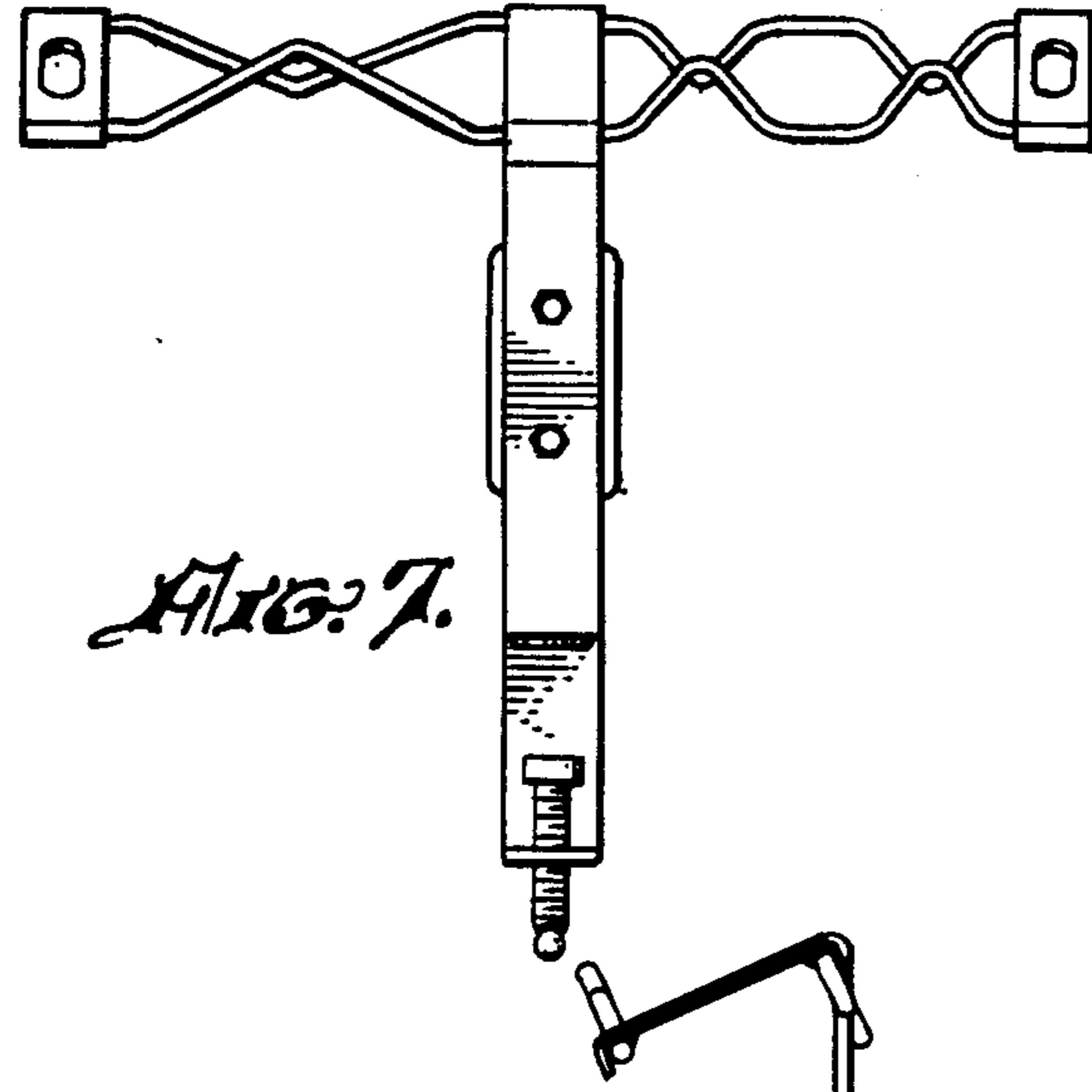
*FIG. 1.*



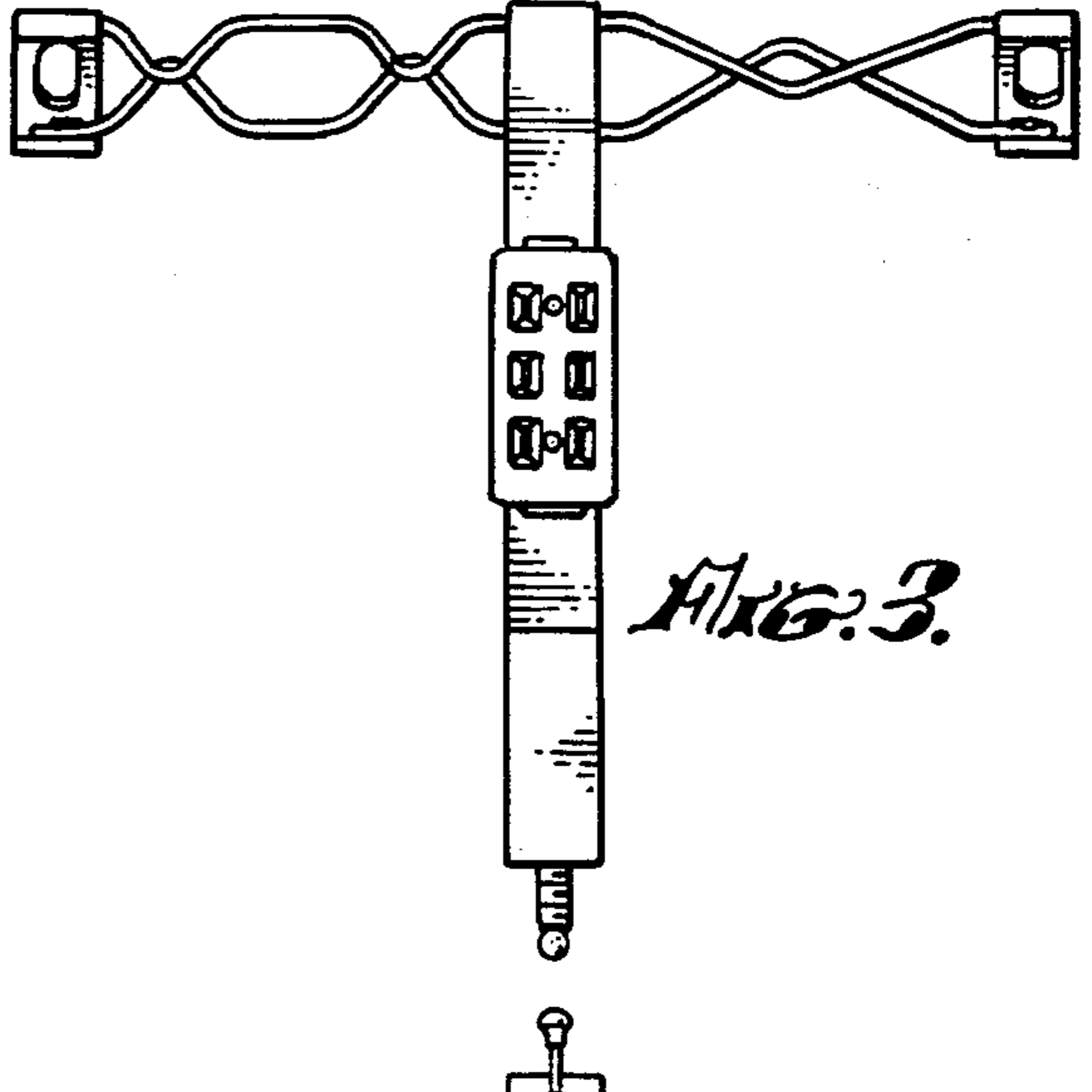
*FIG. 5.*



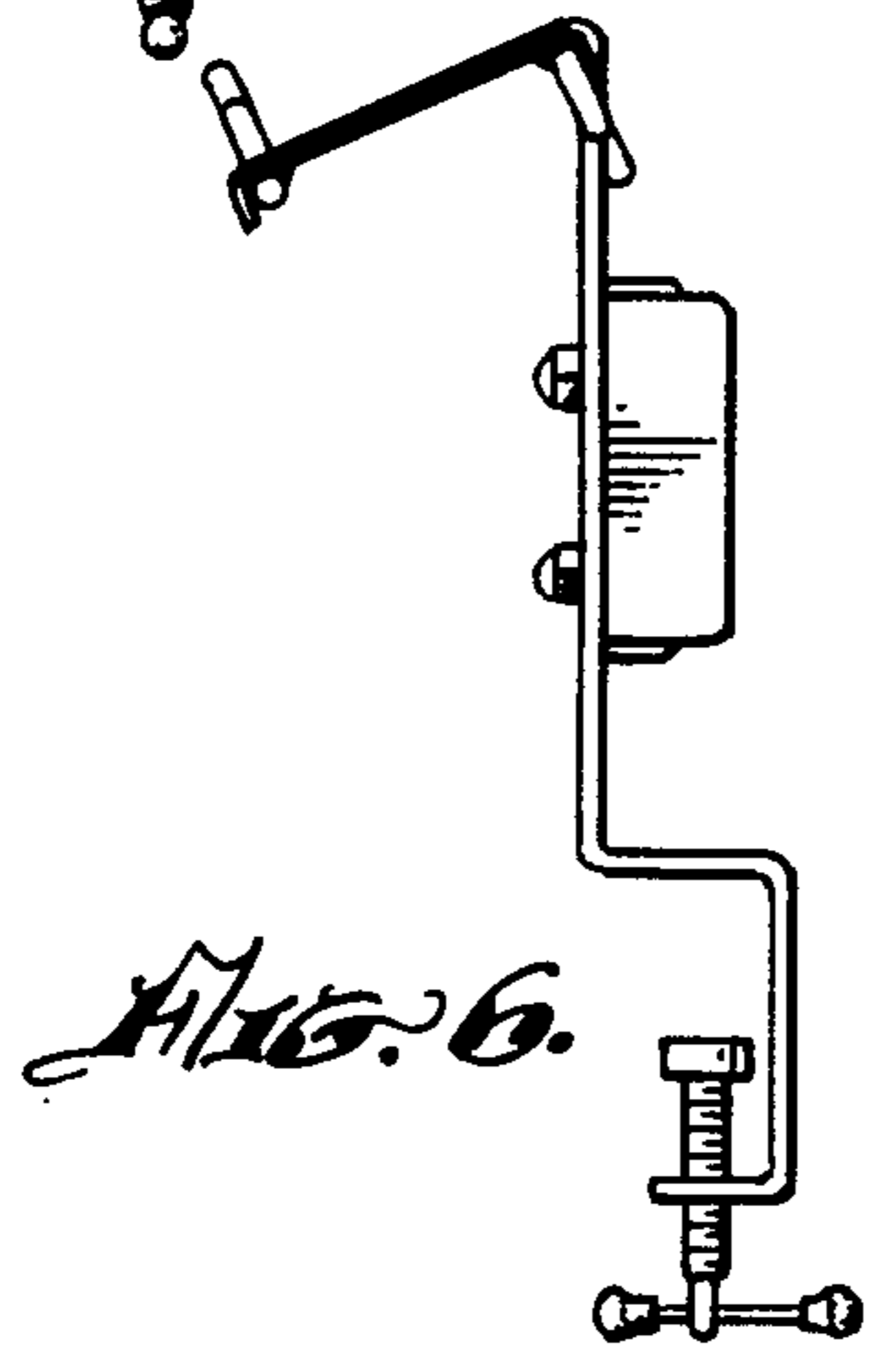
*FIG. 2.*



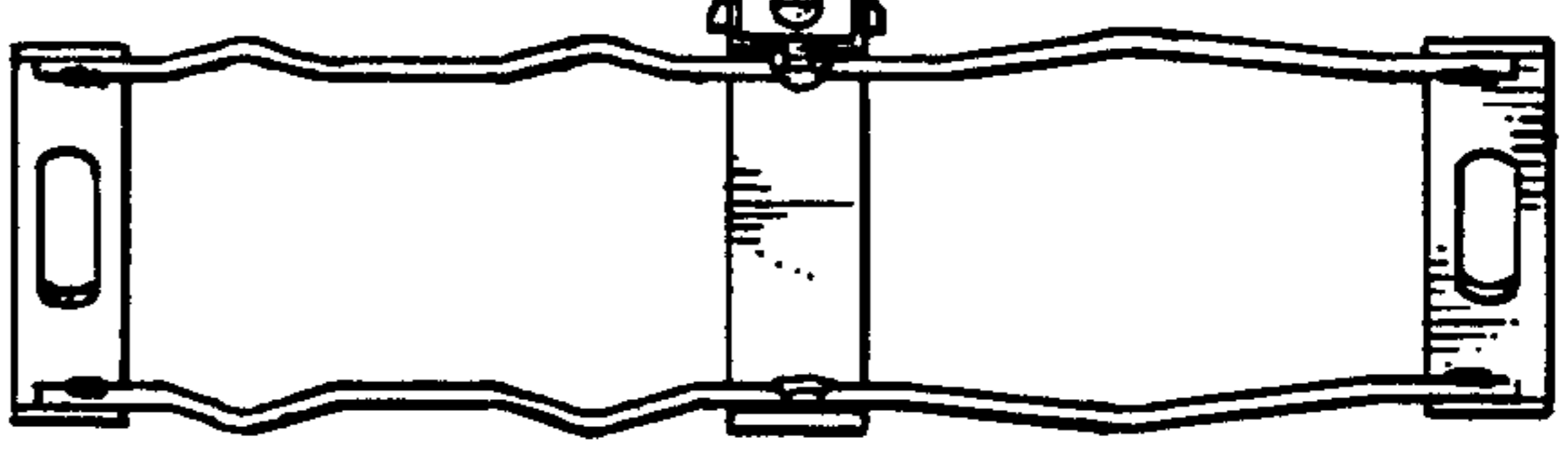
*FIG. 7.*



*FIG. 3.*



*FIG. 6.*



*FIG. 4.*