

[54] STACKABLE TOTE TRAY

[76] Inventor: Goran S. Larson, Raketgatan 7, S-413  
20 Goteborg, Sweden

[\*\*] Term: 3½ Years

[21] Appl. No.: 734,801

[22] Filed: Oct. 22, 1976  
(Under 37 CFR 1.47)

[30] Foreign Application Priority Data

Apr. 22, 1976 [SE] Sweden ..... 76892

[51] Int. Cl. .... D3-99

[52] U.S. Cl. .... D3/68; D9/246

[58] Field of Search ..... D9/242, 243, 246;  
D87/1 R; 206/509-512; D3/68

[56]

References Cited

U.S. PATENT DOCUMENTS

D. 207,354	4/1967	Sulger et al. ....	D9/243
D. 228,263	8/1973	Jones .....	D9/242 X
D. 242,082	10/1976	Carroll .....	D87/1 R
D. 244,011	4/1977	Powell .....	D87/1 R X
3,365,070	1/1968	Miles .....	206/509 X
3,403,814	10/1968	Asenbauer .....	206/509

Primary Examiner—Robert C. Spangler  
Attorney, Agent, or Firm—Robert E. Burns

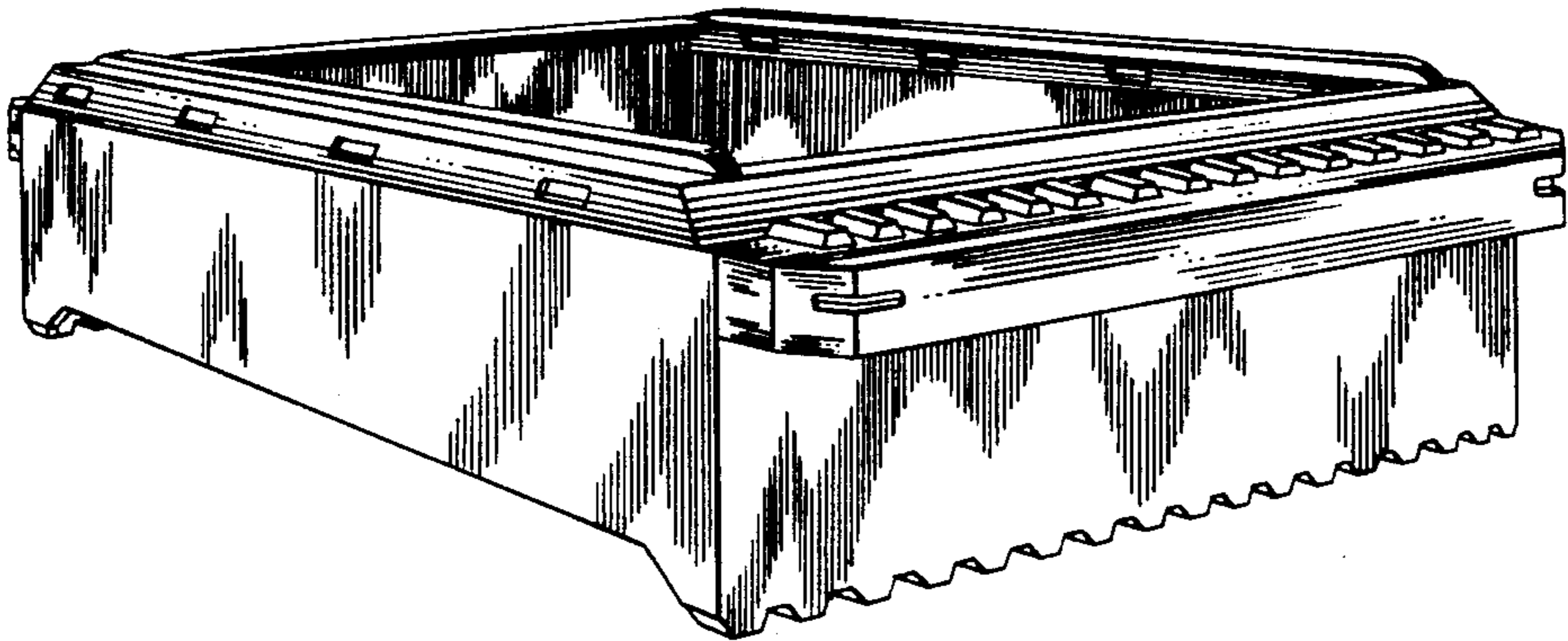
[57]

CLAIM

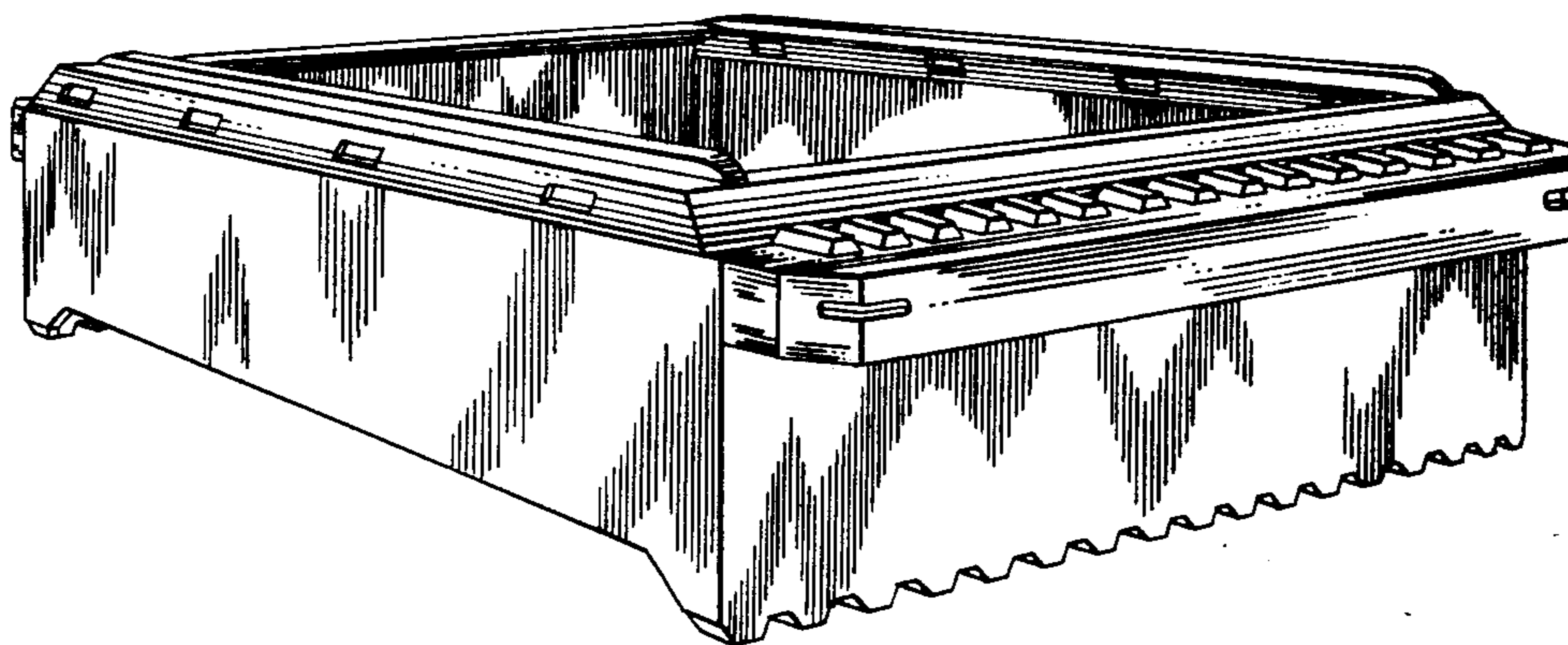
The ornamental design for stackable tote tray, as shown.

DESCRIPTION

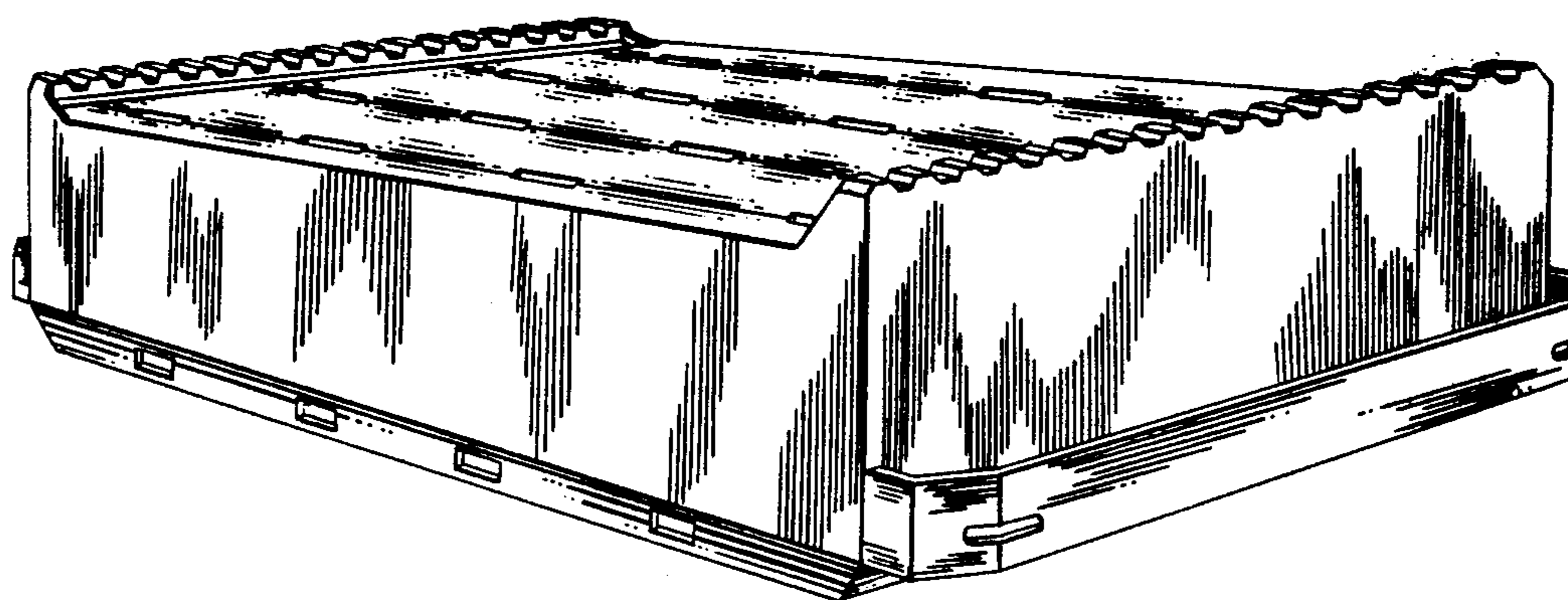
FIG. 1 is a top perspective view of a stackable tote tray showing my new design;  
FIG. 2 is a bottom perspective view showing the side and end not seen in FIG. 1; and  
FIG. 3 is a top plan view thereof.



*FIG. 1*



*FIG. 2*



*FIG. 3*

