

[54] FIREPLACE HEAT EXCHANGER

[76] Inventor: Ronald C. Hartley, 1963 W. Sixth Ave., Eugene, Oreg. 97402

[\*\*] Term: 14 Years

[21] Appl. No.: 824,567

[22] Filed: Aug. 15, 1977

[51] Int. Cl. .... D23-03; D7-08

[52] U.S. Cl. .... D23/95; D7/206

[58] Field of Search ..... 126/120, 121, 163 R, 126/163 A, 164, 165; 237/51; D7/206; D23/93, 97, 127, 95

[56] References Cited

U.S. PATENT DOCUMENTS

- 4,010,729 3/1977 Egli ..... 126/121
- 4,049,196 9/1977 Bergami, Jr. et al. .... 126/121 X

4,060,196 11/1977 Goldsby et al. .... 126/121 X

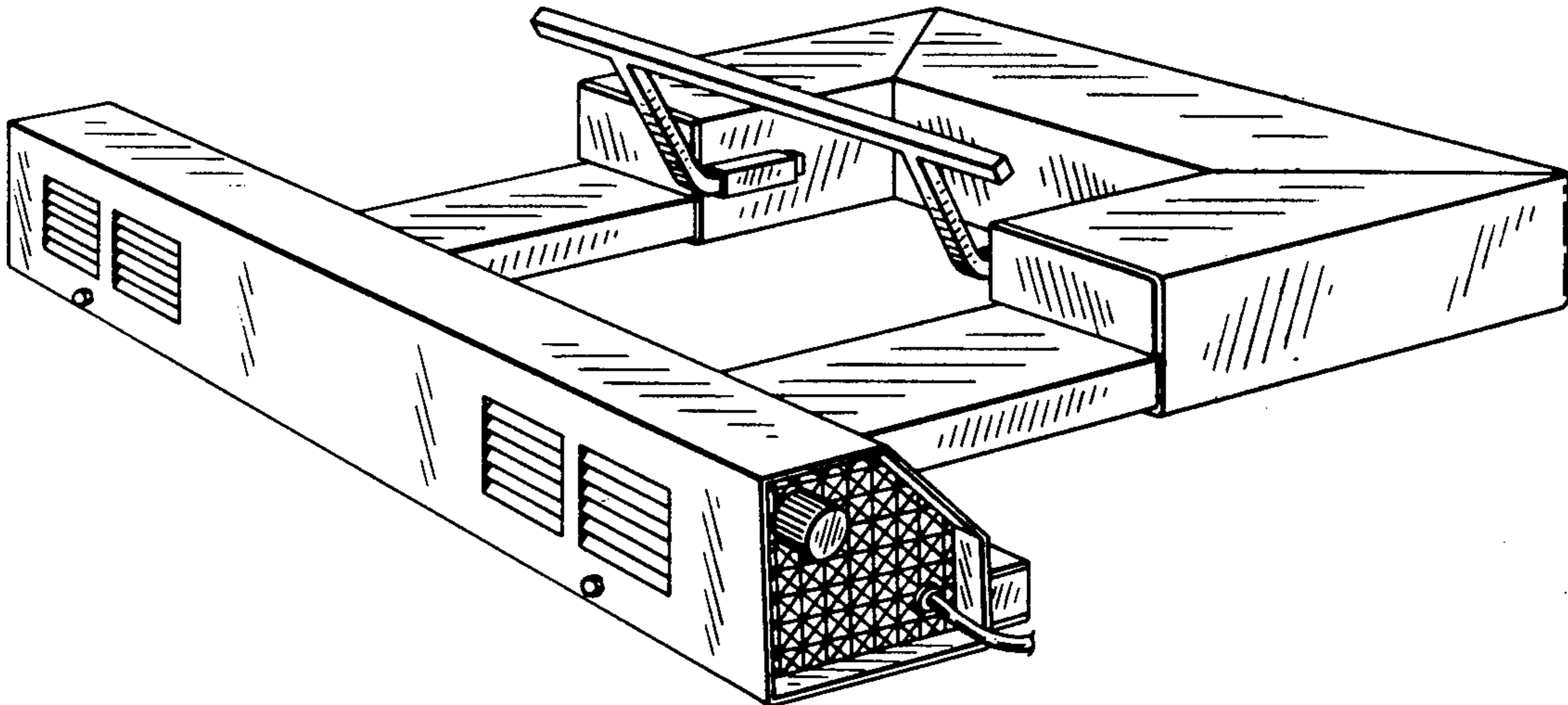
Primary Examiner—Wallace R. Burke  
Assistant Examiner—Catherine Kemper  
Attorney, Agent, or Firm—Kenneth S. Klarquist

[57] CLAIM

The ornamental design for a fireplace heat exchanger, as shown and described.

DESCRIPTION

FIG. 1 is a perspective view of a fireplace heat exchanger showing my new design; FIG. 2 is a side elevational view thereof; FIG. 3 is a side elevational view thereof; FIG. 4 is a rear elevation view thereof; FIG. 5 is a front elevation view thereof; FIG. 6 is a top plan view thereof; and, FIG. 7 is a bottom plan view thereof. The conventional cord has been shown fragmentarily in FIGS. 1 and 2 for ease of illustration.



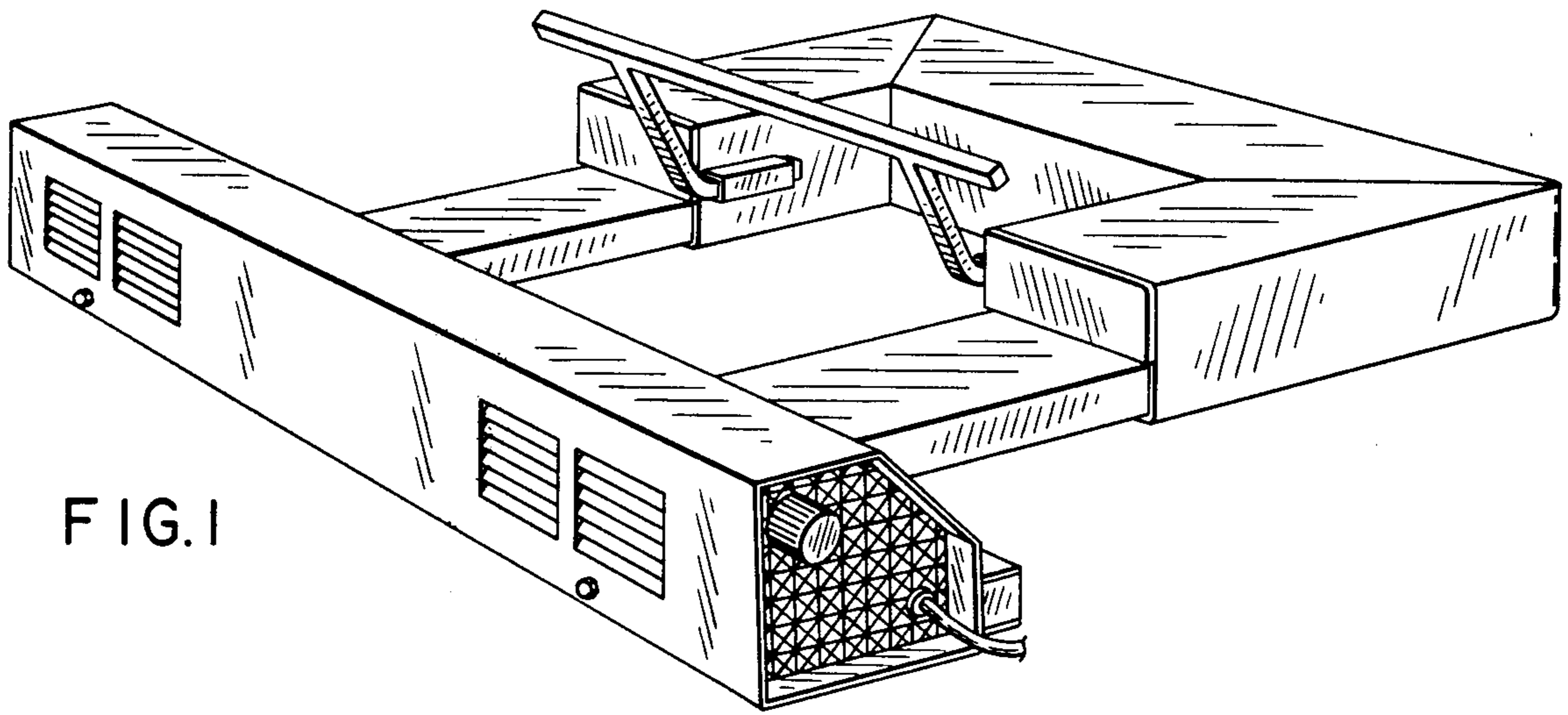


FIG. 1

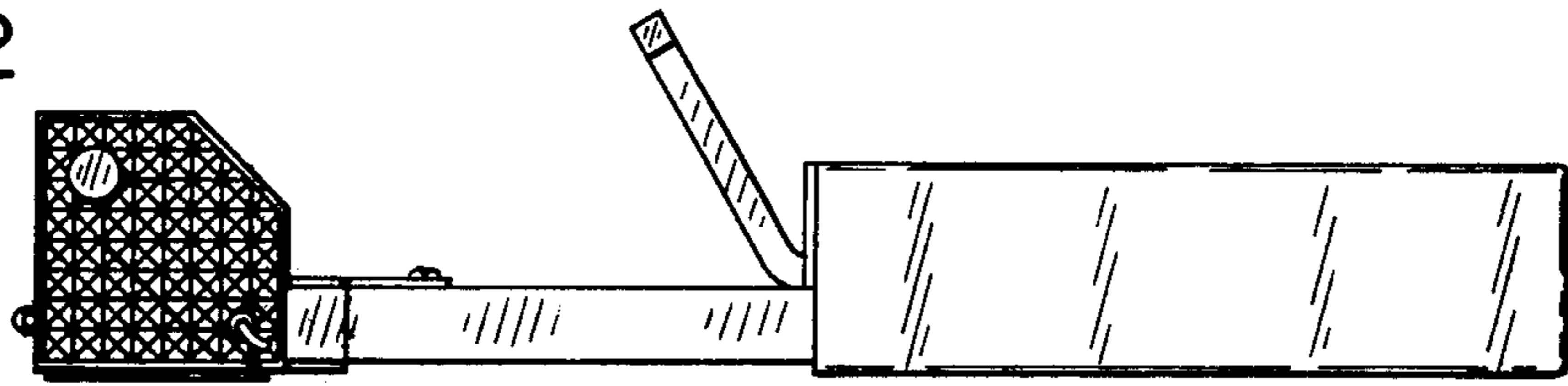


FIG. 2

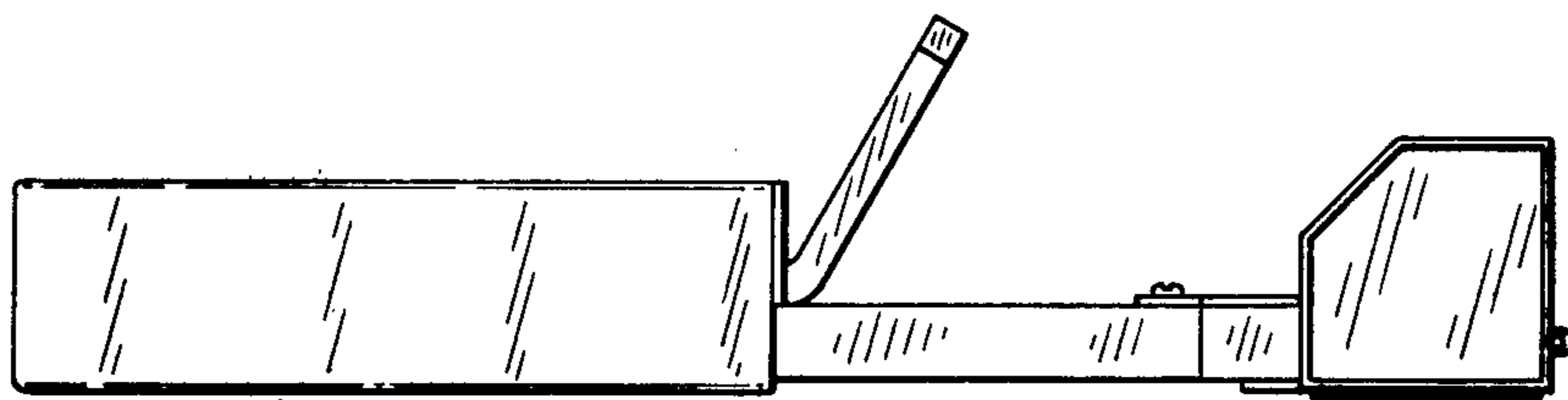


FIG. 3

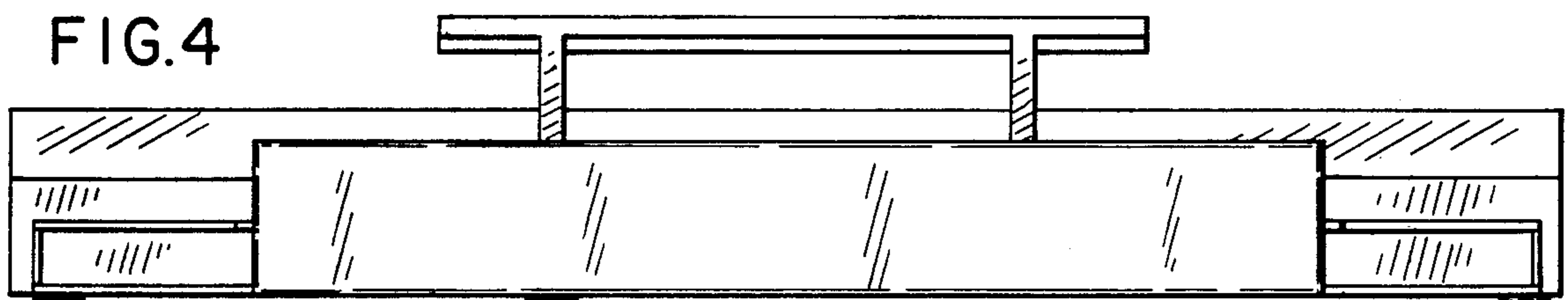


FIG. 4

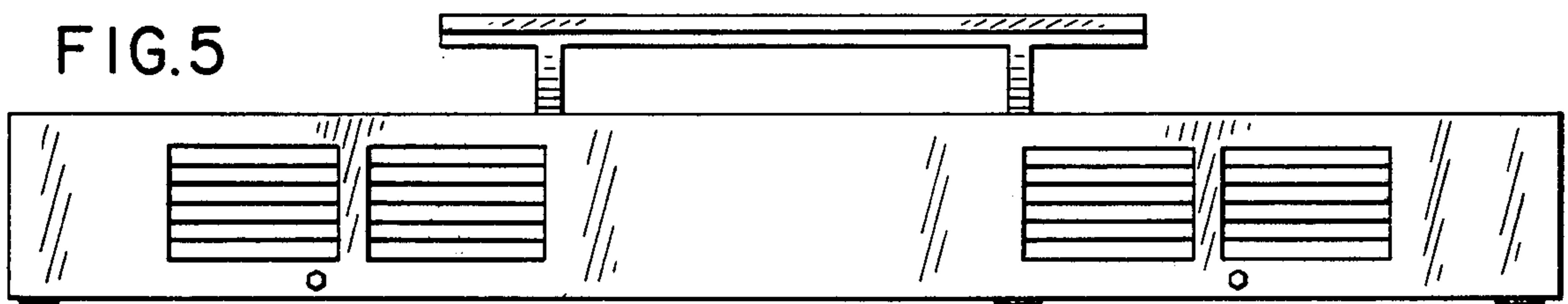


FIG. 5

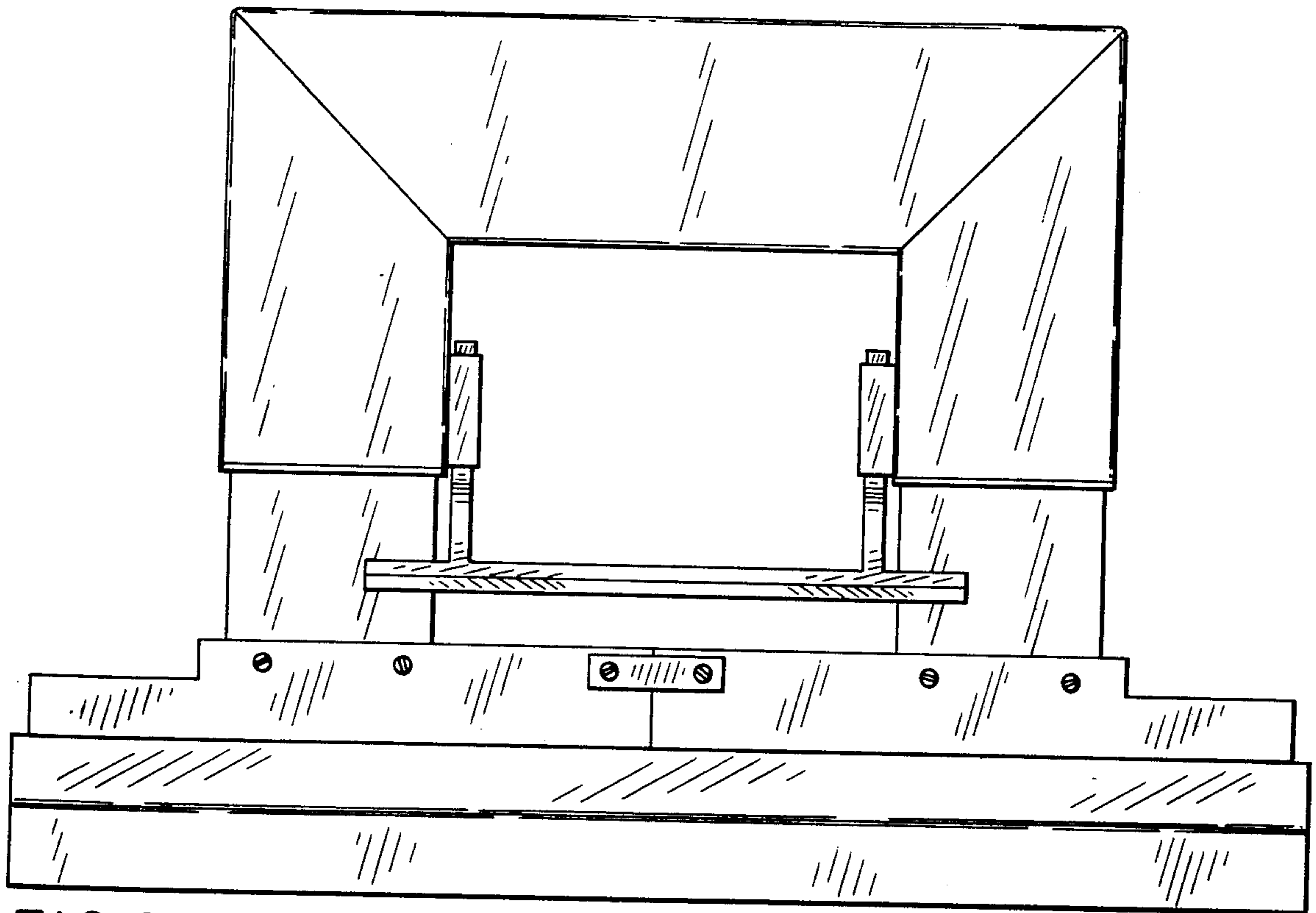


FIG. 6

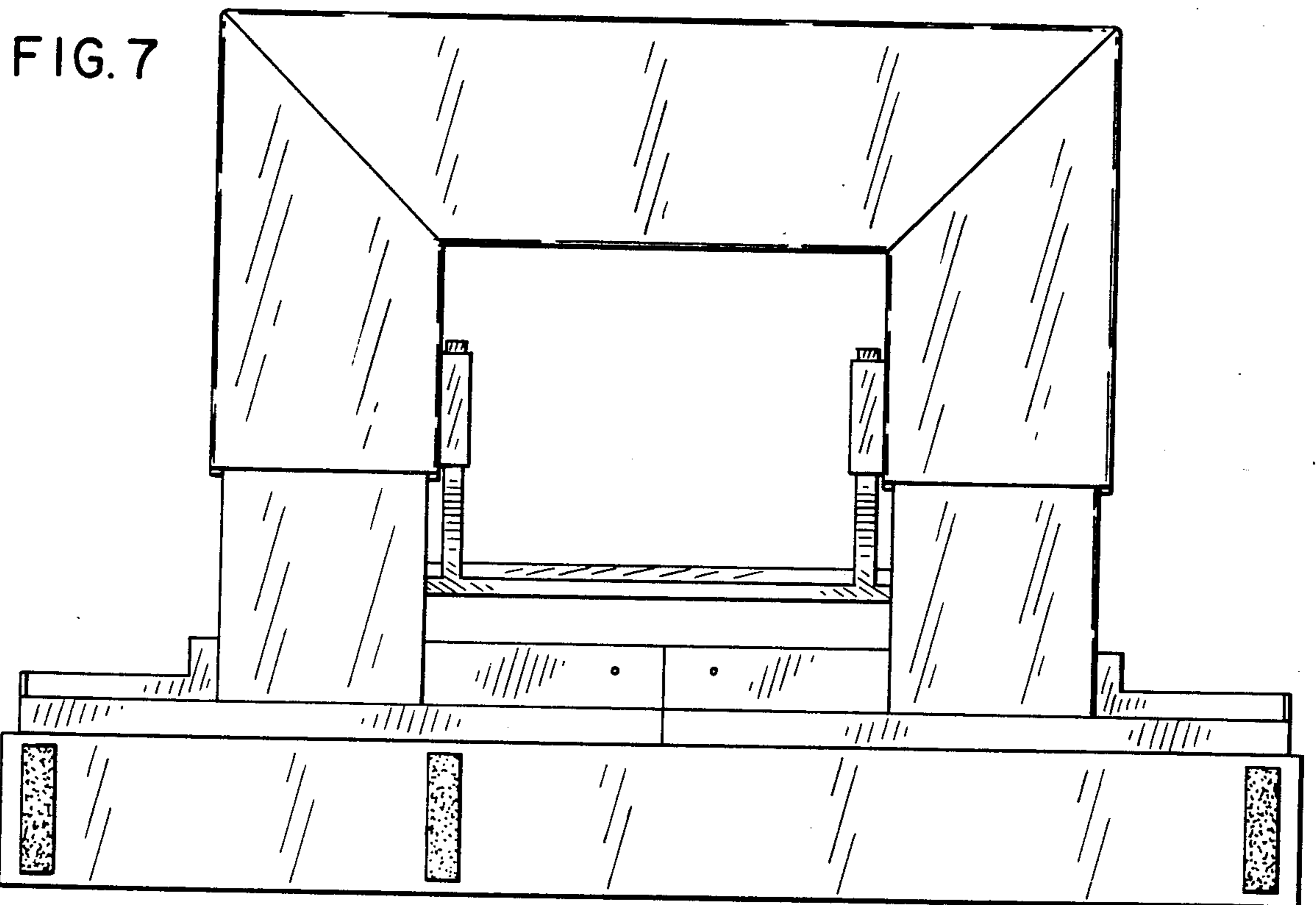


FIG. 7