

[54] SCOOTER

[76] Inventor: Rudolph J. Kupka, 9101 Sheridan Ave., Brookfield, Ill. 60513

[\*\*] Term: 14 Years

[21] Appl. No.: 809,014

[22] Filed: Jun. 3, 1977

[51] Int. Cl. .... D21-01

[52] U.S. Cl. .... D21/81

[58] Field of Search ..... D34/15 AJ, 15 AT, 14 C; 280/771, 87.1, 87.01, 87.04 R, 87.04 A, 87.04 B, 87.05

[56] References Cited

U.S. PATENT DOCUMENTS

D. 223,943 6/1972 Soper ..... D34/15 AT  
2,045,983 6/1936 Ferrigno ..... D34/15 AT

3,309,104 3/1967 Gold ..... 280/87.04 R  
3,751,062 8/1973 White ..... 280/87.05

Primary Examiner—Joel Stearman  
Assistant Examiner—Charles A. Rademaker  
Attorney, Agent, or Firm—Max Dressler

[57] CLAIM

The ornamental design for a scooter, substantially as shown.

DESCRIPTION

FIG. 1 is a perspective view of a scooter showing my new design;  
FIG. 2 is a front elevational view thereof shown on an enlarged scale;  
FIG. 3 is a top plan view thereof;  
FIG. 4 is a right side elevational view thereof;  
FIG. 5 is a rear elevational view thereof; and,  
FIG. 6 is a bottom plan view thereof.

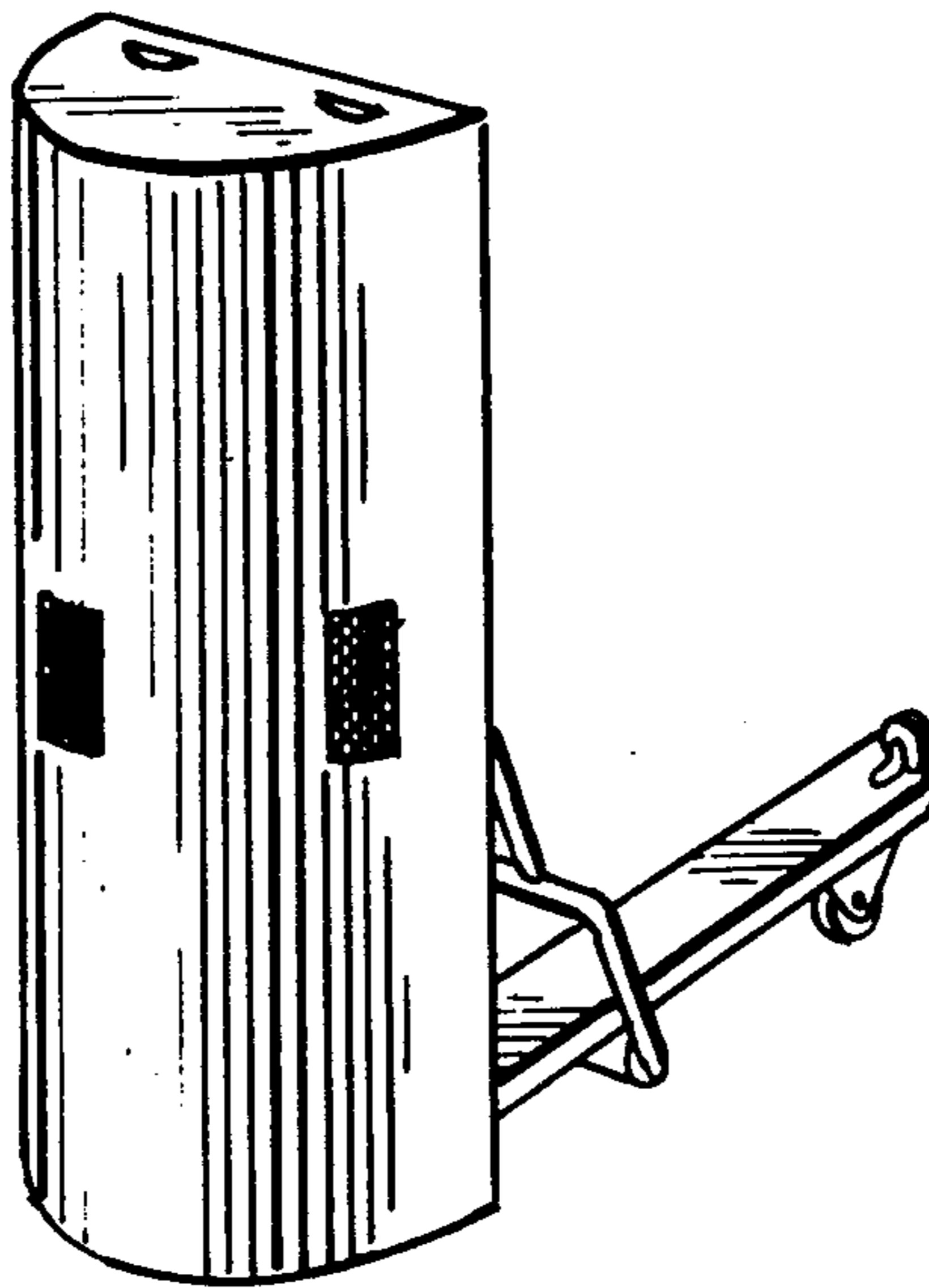


FIG. 1

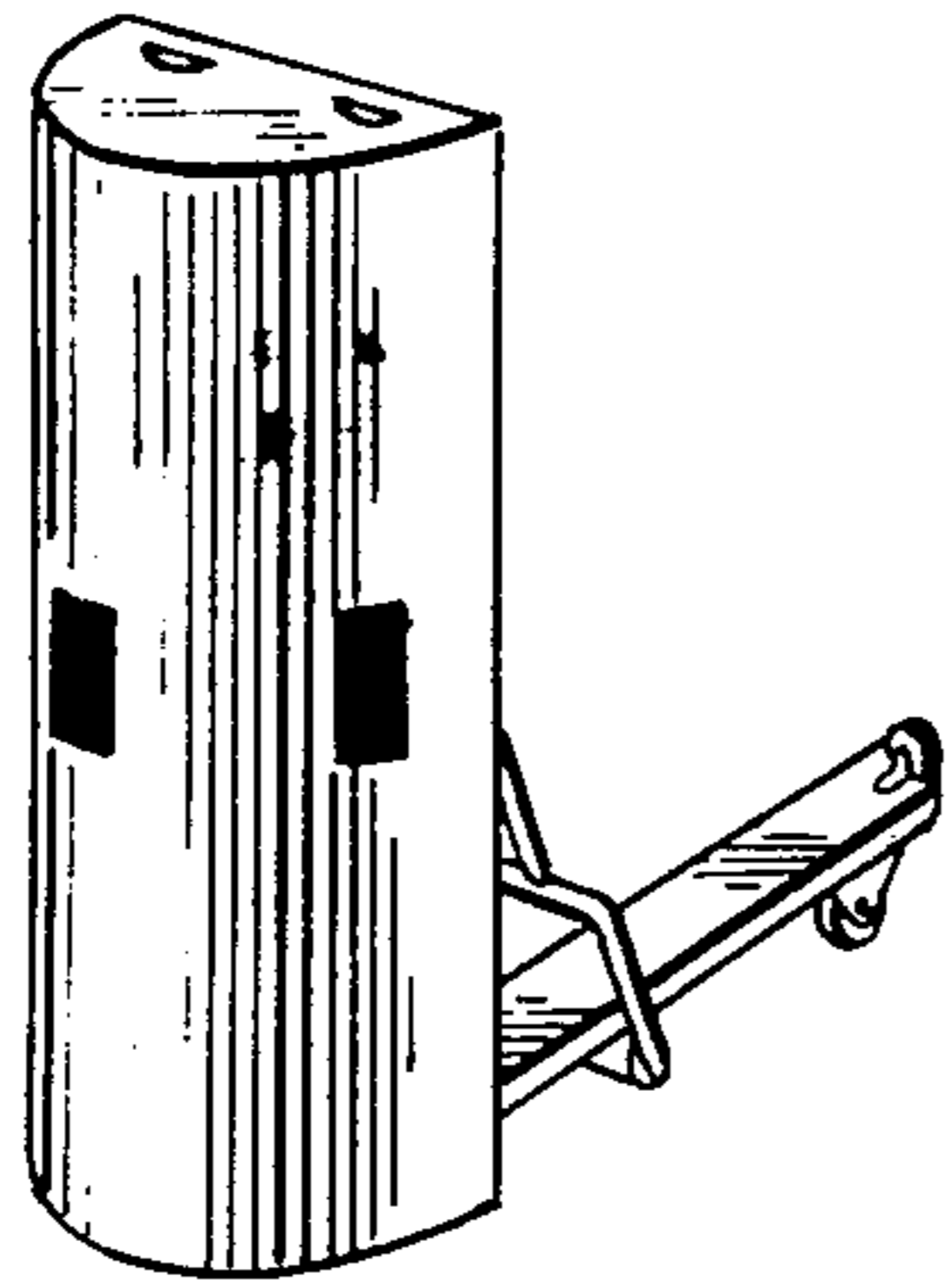


FIG. 2

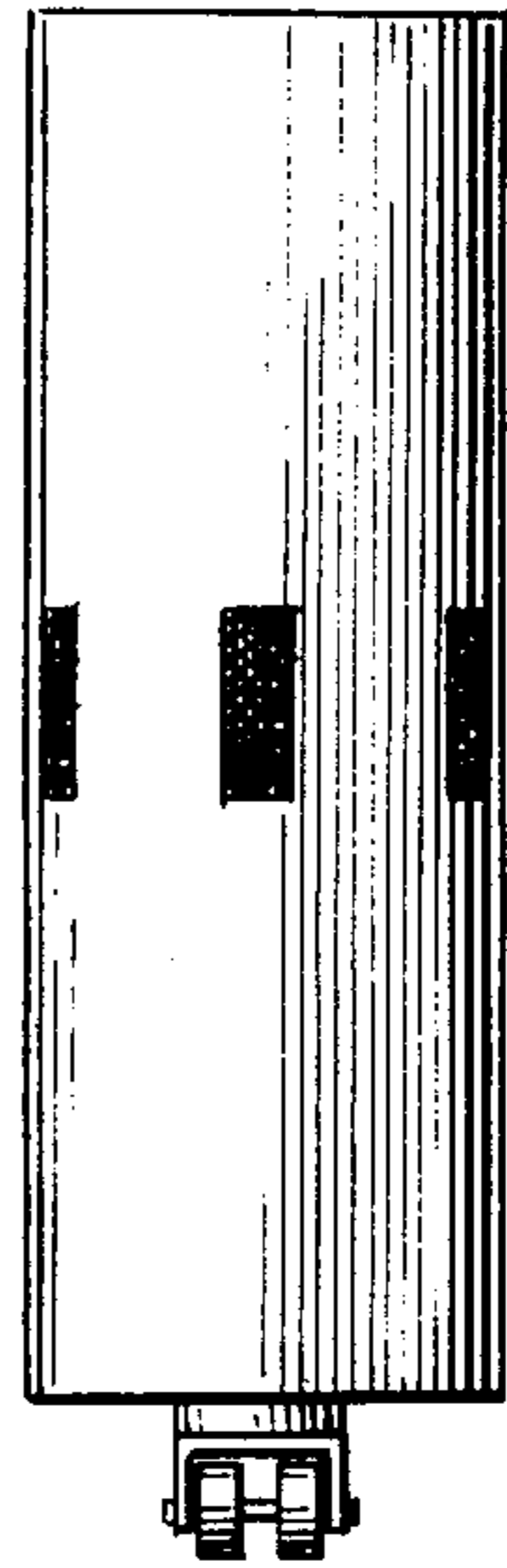


FIG. 3

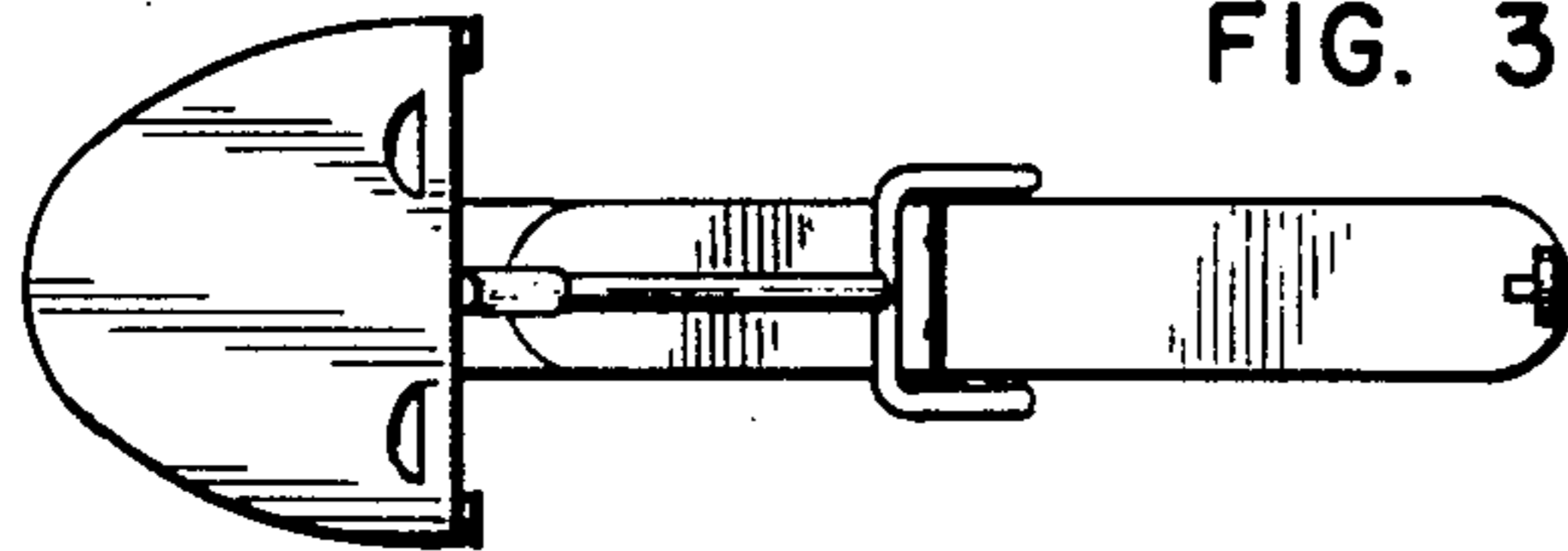


FIG. 4

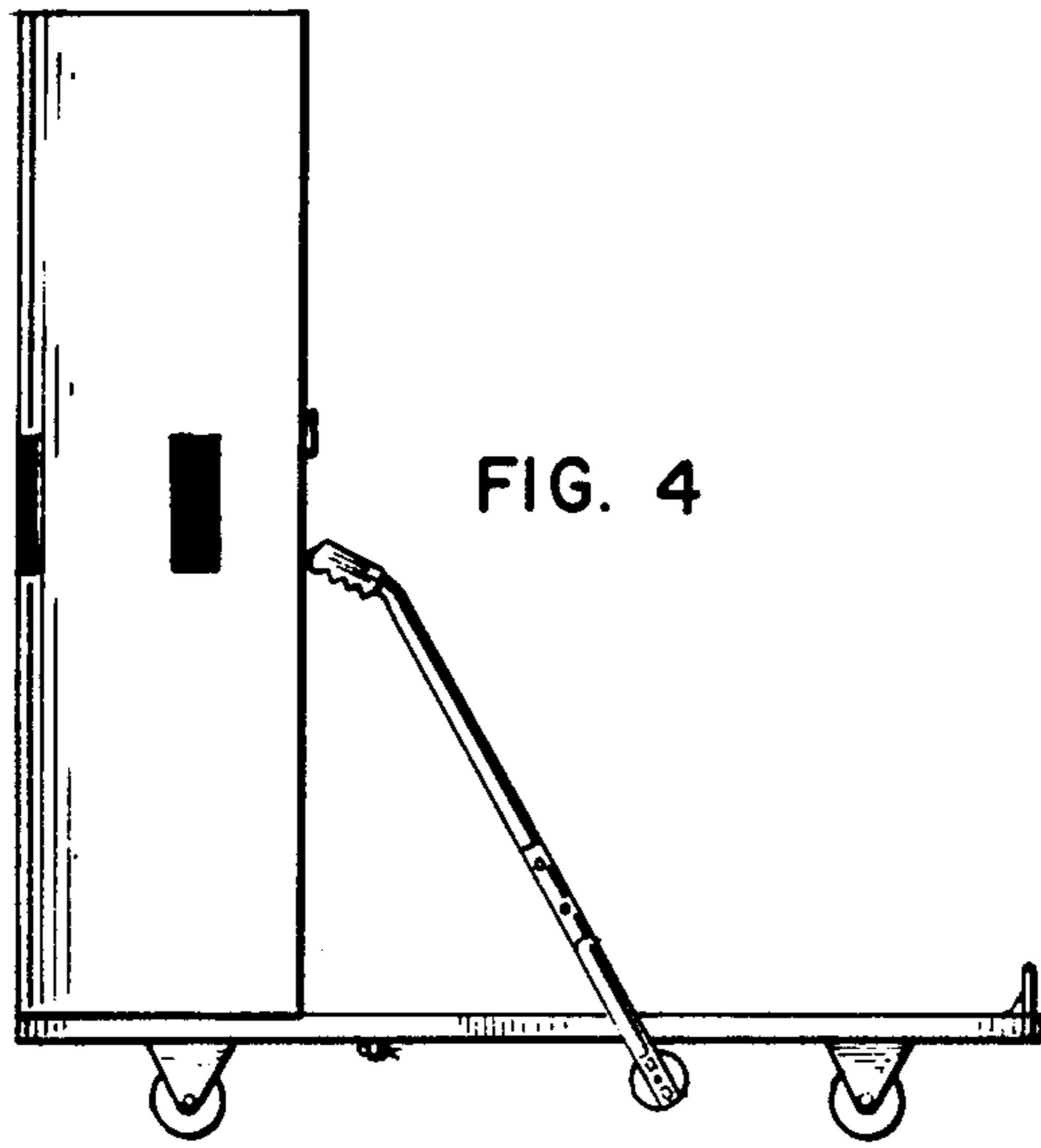


FIG. 5

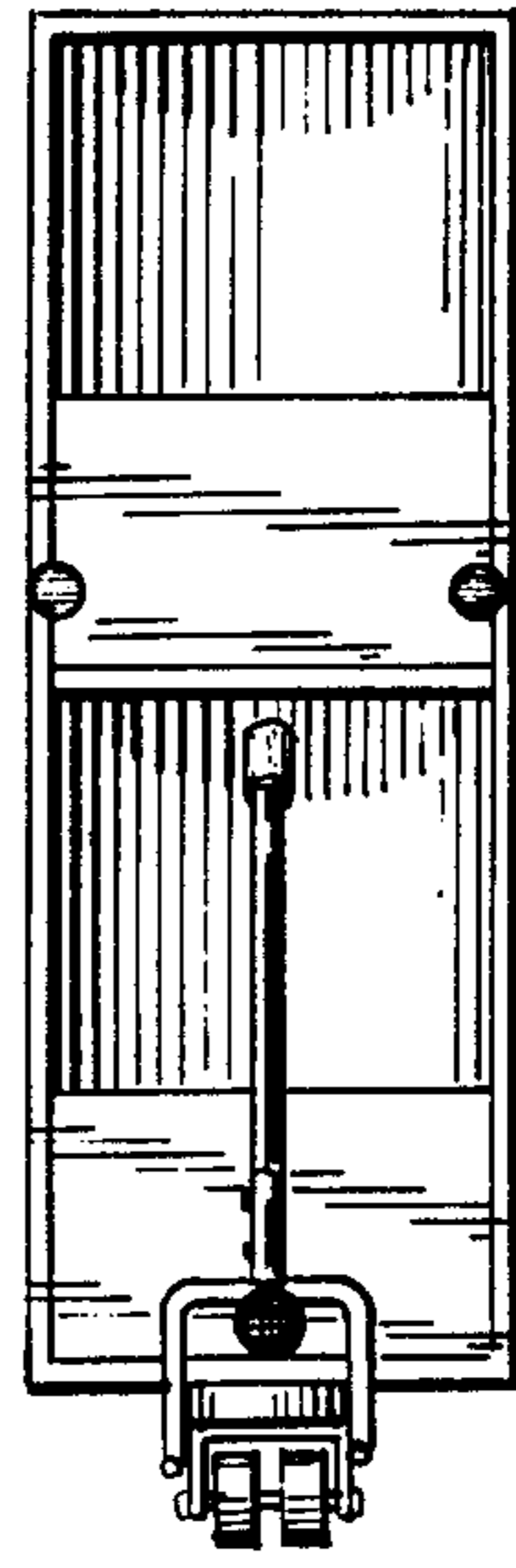


FIG. 6

