

[54] MICROSCOPE STAND

[76] Inventor: Edwin A. Speaker, 228 East Ave., Brockport, N.Y. 14420

[**] Term: 14 Years

[21] Appl. No.: 809,580

[22] Filed: Jun. 24, 1977

[51] Int. Cl. D16-06

[52] U.S. Cl. D16/57

[58] Field of Search D16/57, 58; 350/87, 350/33, 82, 80, 81, 84; 248/124, 125

[56]

References Cited

U.S. PATENT DOCUMENTS

D. 161,976	2/1951	Vaughan	D16/57
D. 208,271	8/1967	Hoogesteger et al.	D16/57
D. 240,861	8/1976	Armbruster	D16/57
2,214,367	9/1940	Gallasch	350/87
3,360,641	12/1967	Korte	350/87 X

Primary Examiner—Bernard Ansher

Attorney, Agent, or Firm—Frank C. Parker

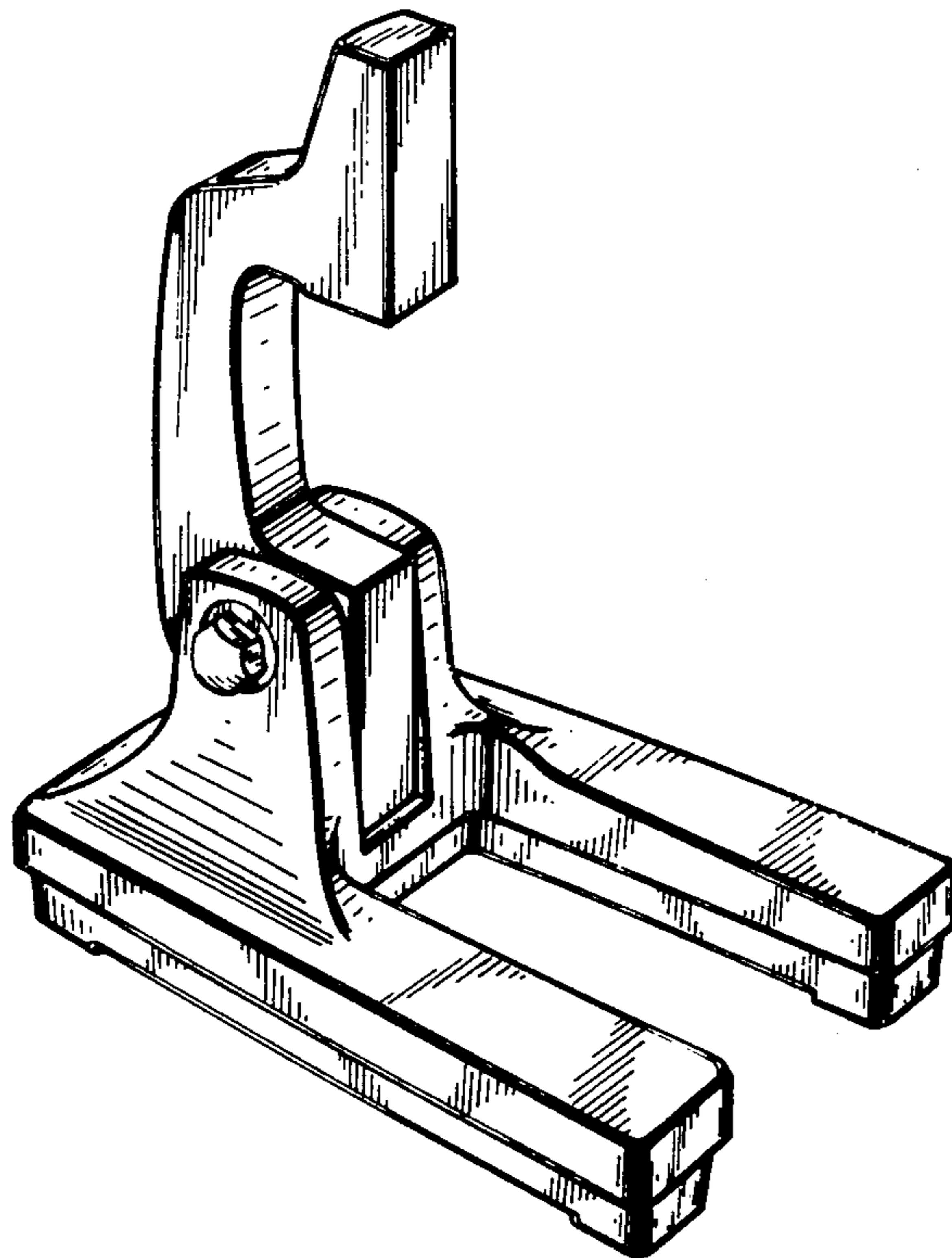
[57]

CLAIM

The ornamental design for a microscope stand, substantially as shown and described.

DESCRIPTION

FIG. 1 is a left front perspective view of a microscope stand embodying my new design; and FIG. 2 is a right rear perspective view thereof.



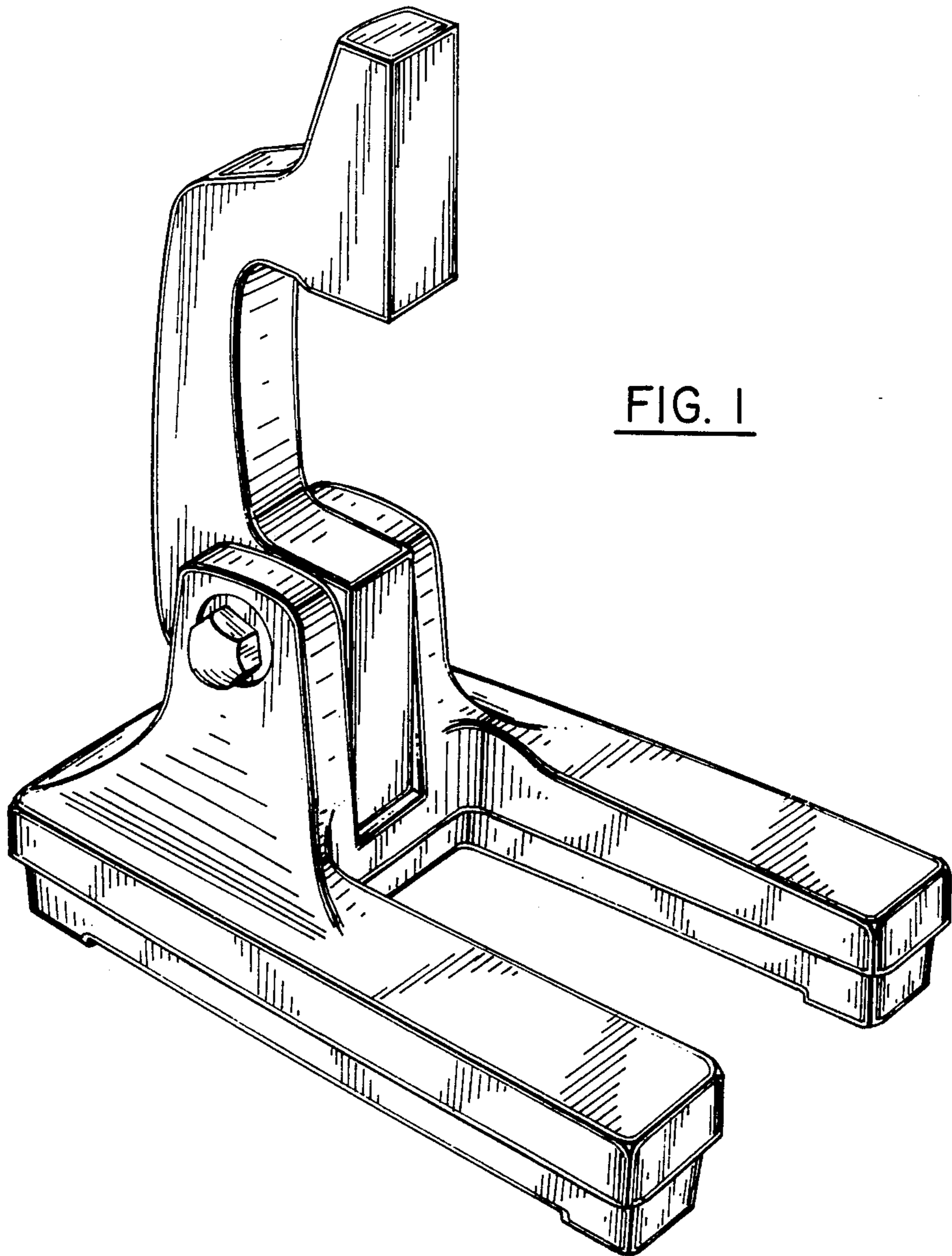


FIG. 1

FIG. 2

