

[54] SLIDE VIEWER

[76] Inventor: Joseph Antos, Rte. 1, Box 18A, Big Rock, Ill. 60511

[**] Term: 14 Years

[21] Appl. No.: 856,293

[22] Filed: Dec. 1, 1977

[51] Int. Cl. D16-02

[52] U.S. Cl. D16/14; D16/18; D16/17

[58] Field of Search D16/11, 14, 15, 17, D16/18, 20; 40/361, 362, 363, 364, 365, 366, 367

[56] References Cited

U.S. PATENT DOCUMENTS

D. 196,155	8/1963	Hoogesteger et al.	D16/20
D. 226,357	2/1973	Peters	D16/18
2,617,218	11/1952	Antos	40/365
3,967,401	7/1976	Numbers	40/362

Primary Examiner—Wallace R. Burke
Assistant Examiner—Catherine Kemper
Attorney, Agent, or Firm—C. Frederick Leydig

[57] CLAIM

The ornamental design for a slide viewer, as shown and described.

DESCRIPTION

FIG. 1 is a perspective view of a slide viewer, showing my new design;
 FIG. 2 is a side elevation view thereof;
 FIG. 3 is a rear elevation view thereof;
 FIG. 4 is a bottom plan view of the slide viewer shown in FIG. 1;
 FIG. 5 is a front elevation view taken from the right of FIG. 1;
 FIG. 6 is a side elevation view of the slide viewer shown in FIG. 1, but here shown with the viewer lid opened;
 FIG. 7 is a side elevation view taken from the left of FIG. 6; and
 FIG. 8 is a side elevation view taken from the right of FIG. 6.

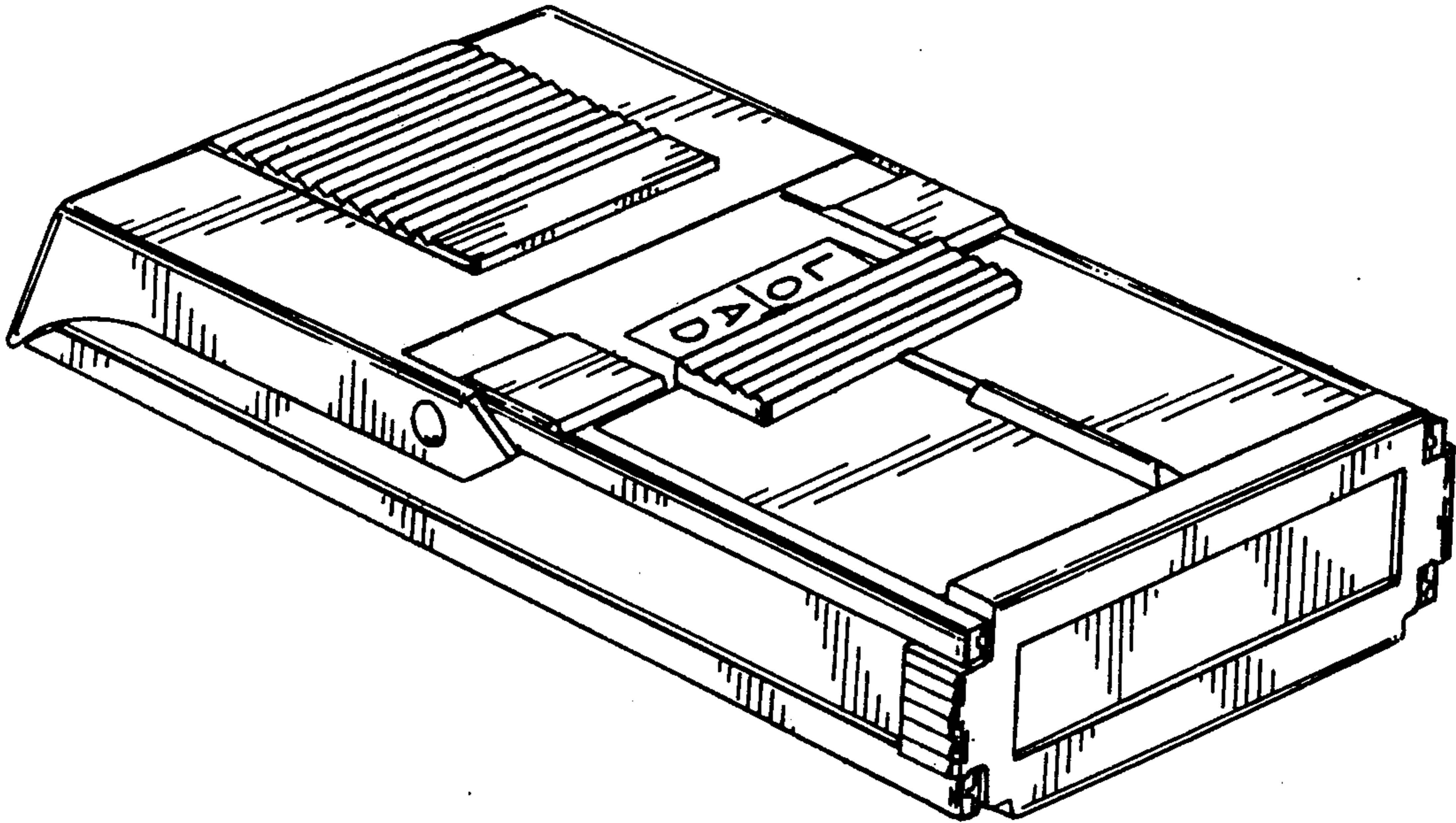


FIG. 1.

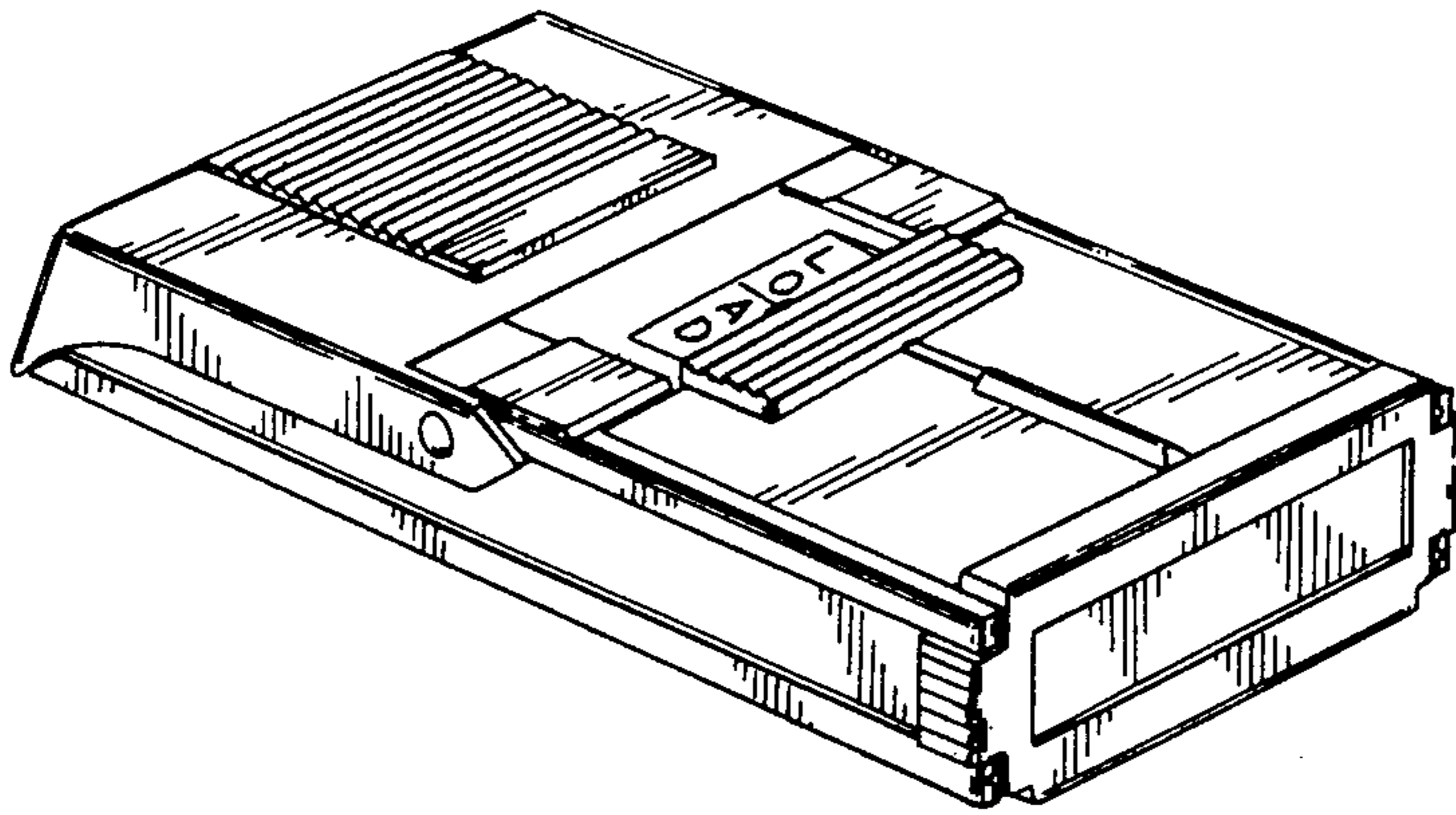


FIG. 2.

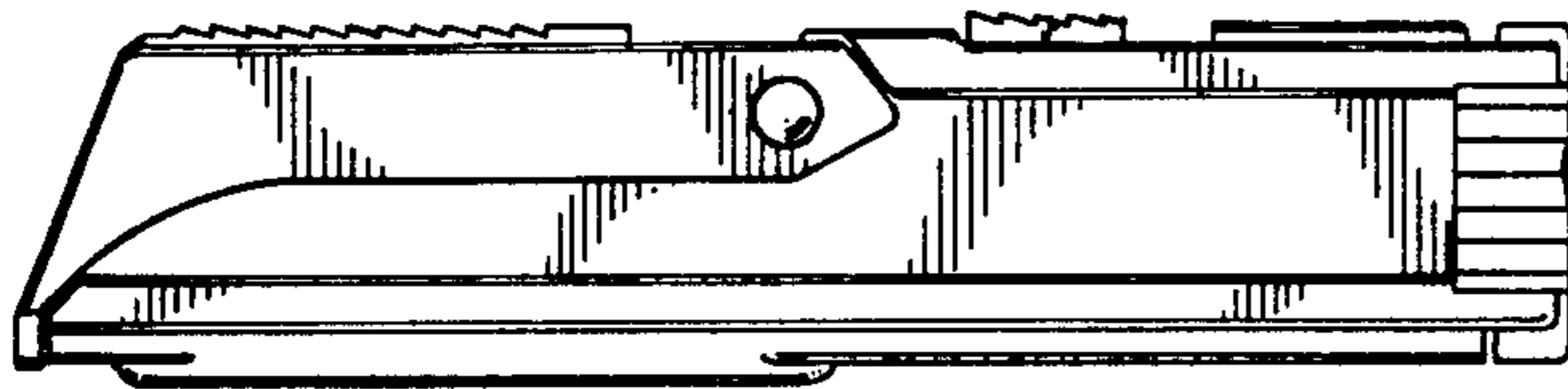


FIG. 3.

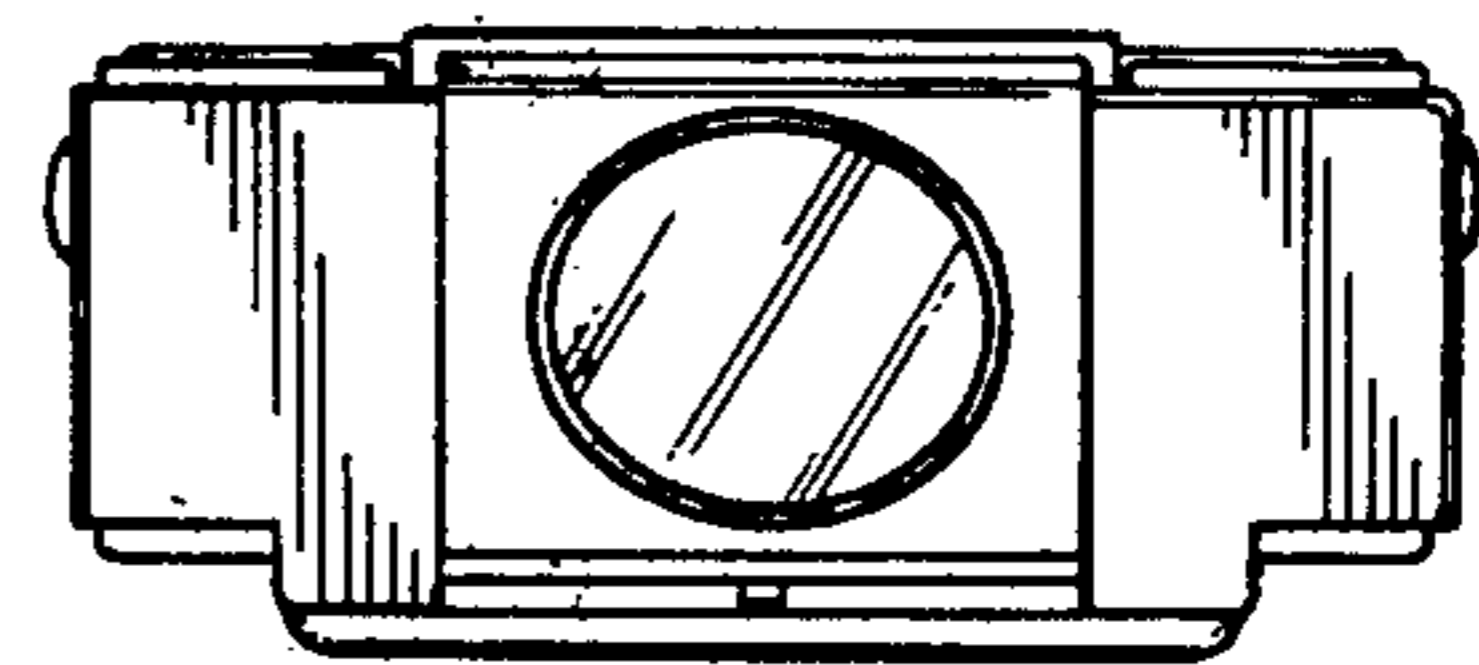


FIG. 4.

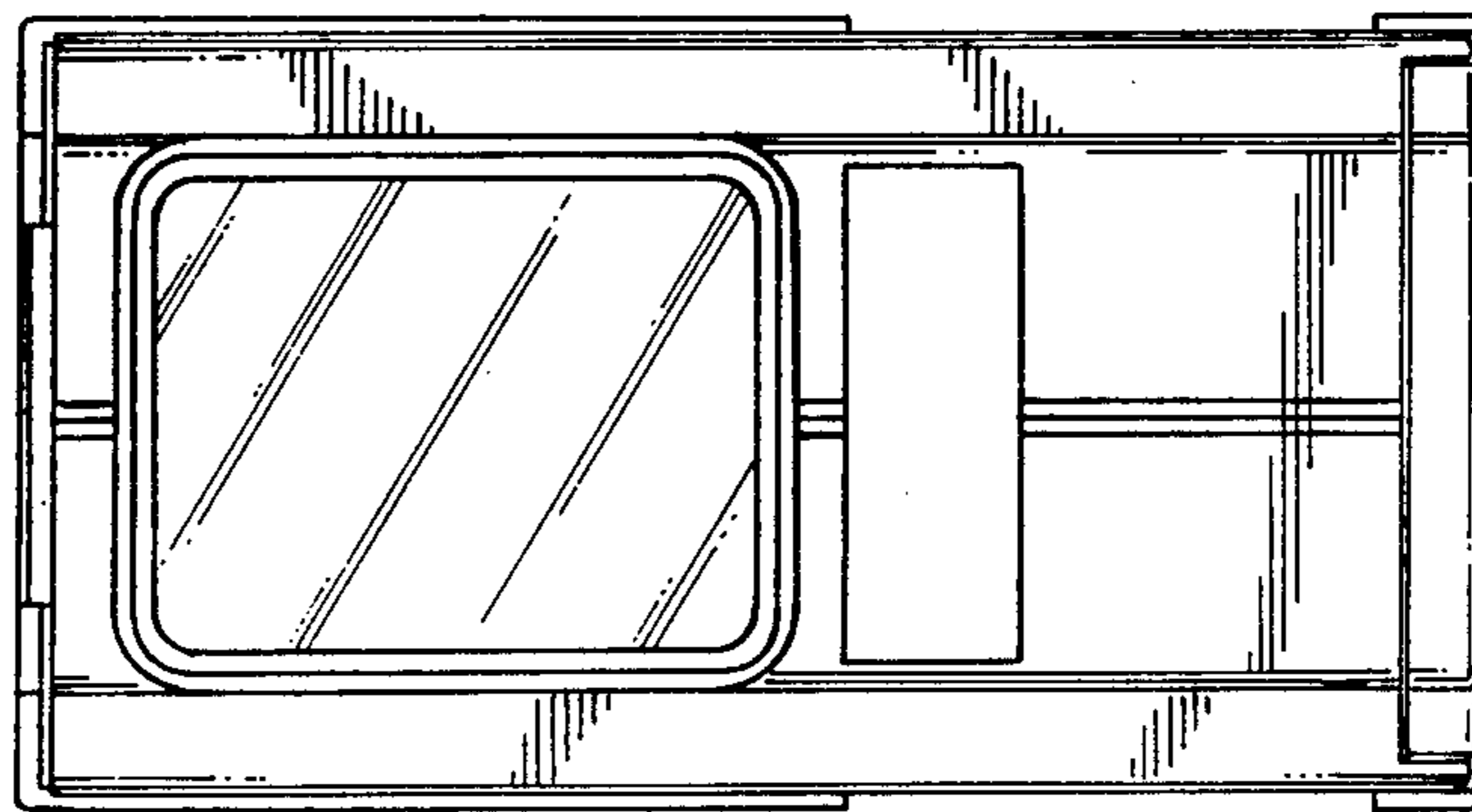
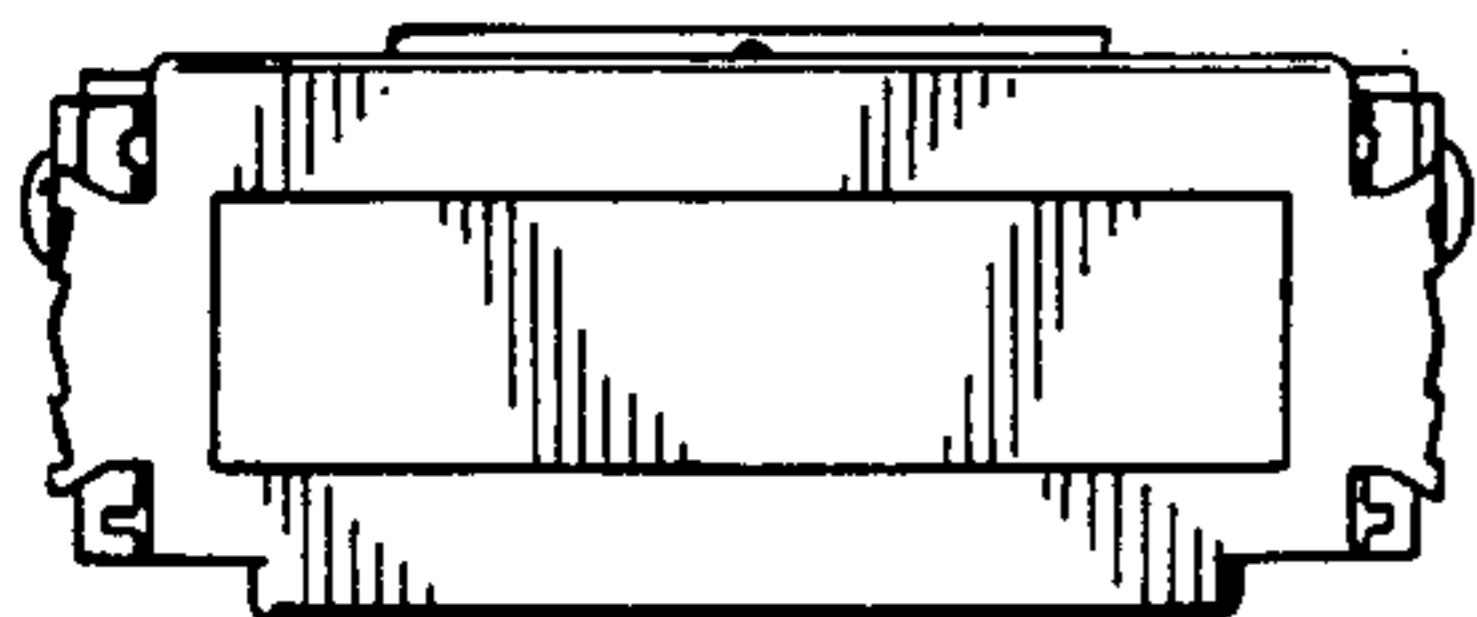


FIG. 5.



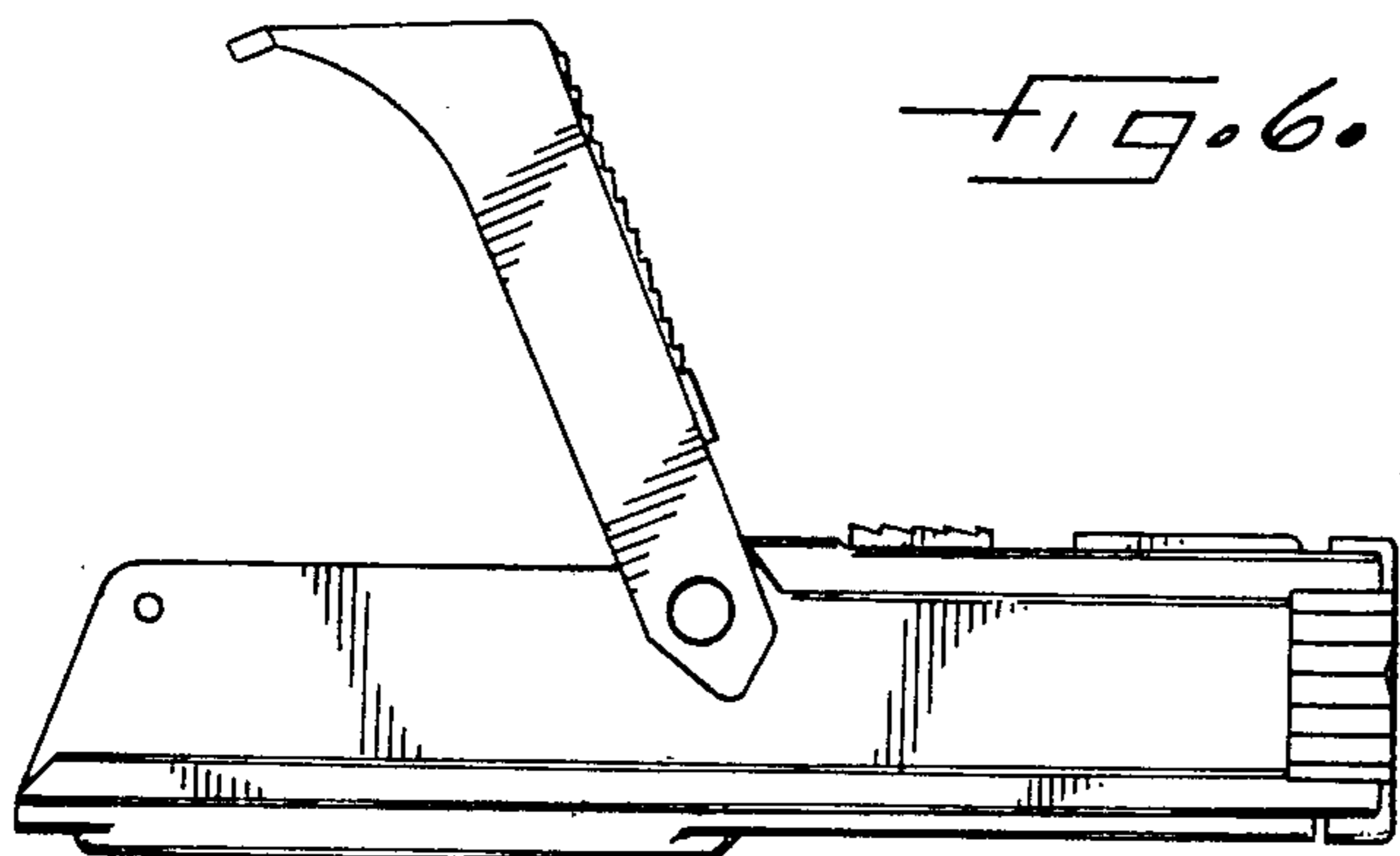


FIG. 7

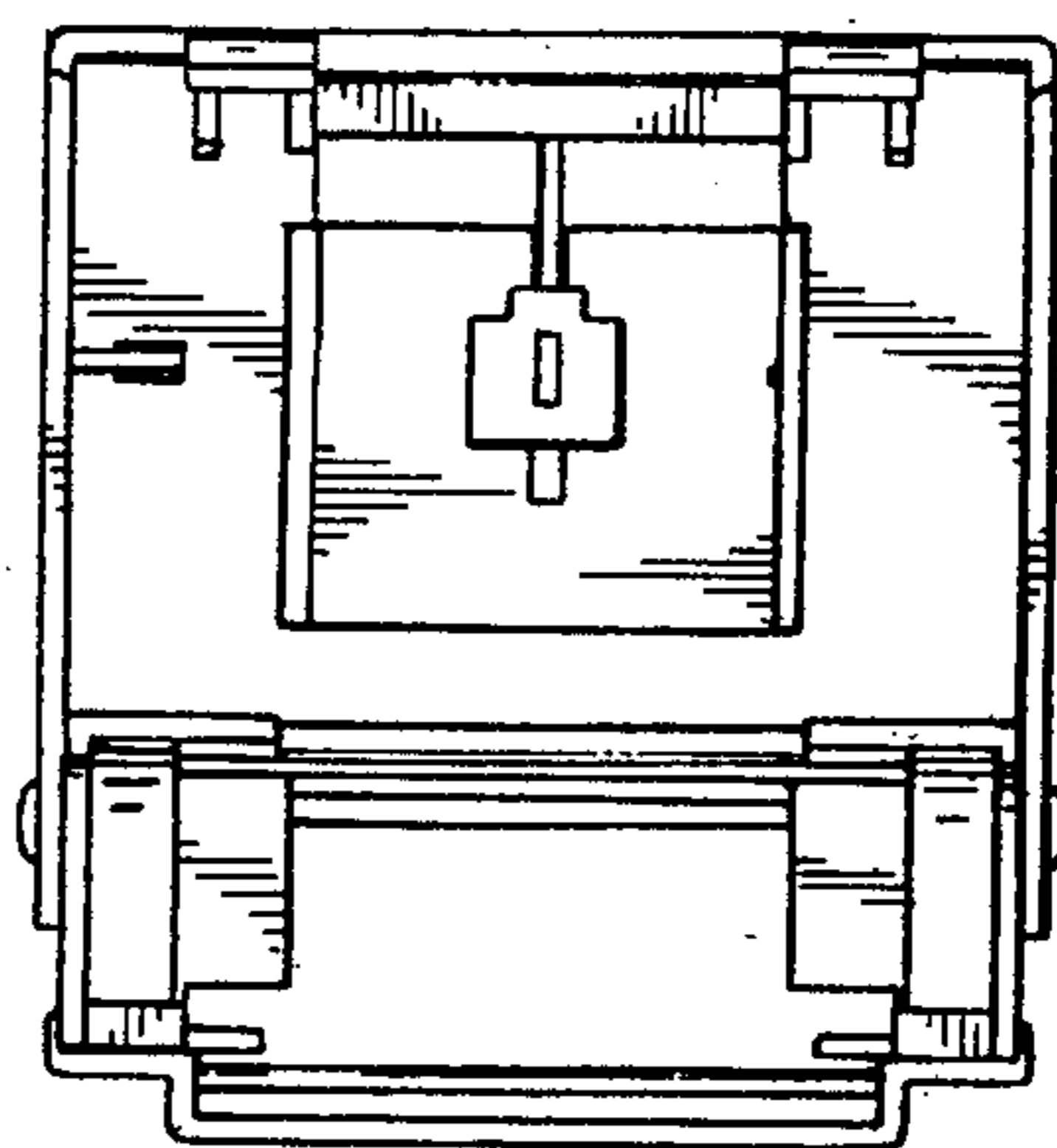


FIG. 8

