

- [54] EGG DECORATING DEVICE
- [76] Inventor: Stanley J. Fudro, 2322 Second St. NE., Minneapolis, Minn. 55418
- [\*\*] Term: 14 Years
- [21] Appl. No.: 861,180
- [22] Filed: Dec. 16, 1977
- [51] Int. Cl. .... D19-99
- [52] U.S. Cl. .... D19/35; D7/41
- [58] Field of Search ..... D19/35, 36, 75, 95, D19/99, 100; D7/41, 98; 118/13, 14, 76-70, 500, 503; 401/9, 12; 211/14, 15; 269/1; 426/252; D34/2 D, 5 C; 428/15

3,358,644 12/1967 Greene ..... 428/15  
 3,848,564 11/1974 Kull ..... 118/76

OTHER PUBLICATIONS

Spencer Gifts Cat., p. 97, Egg Decorator Kit, lower right.

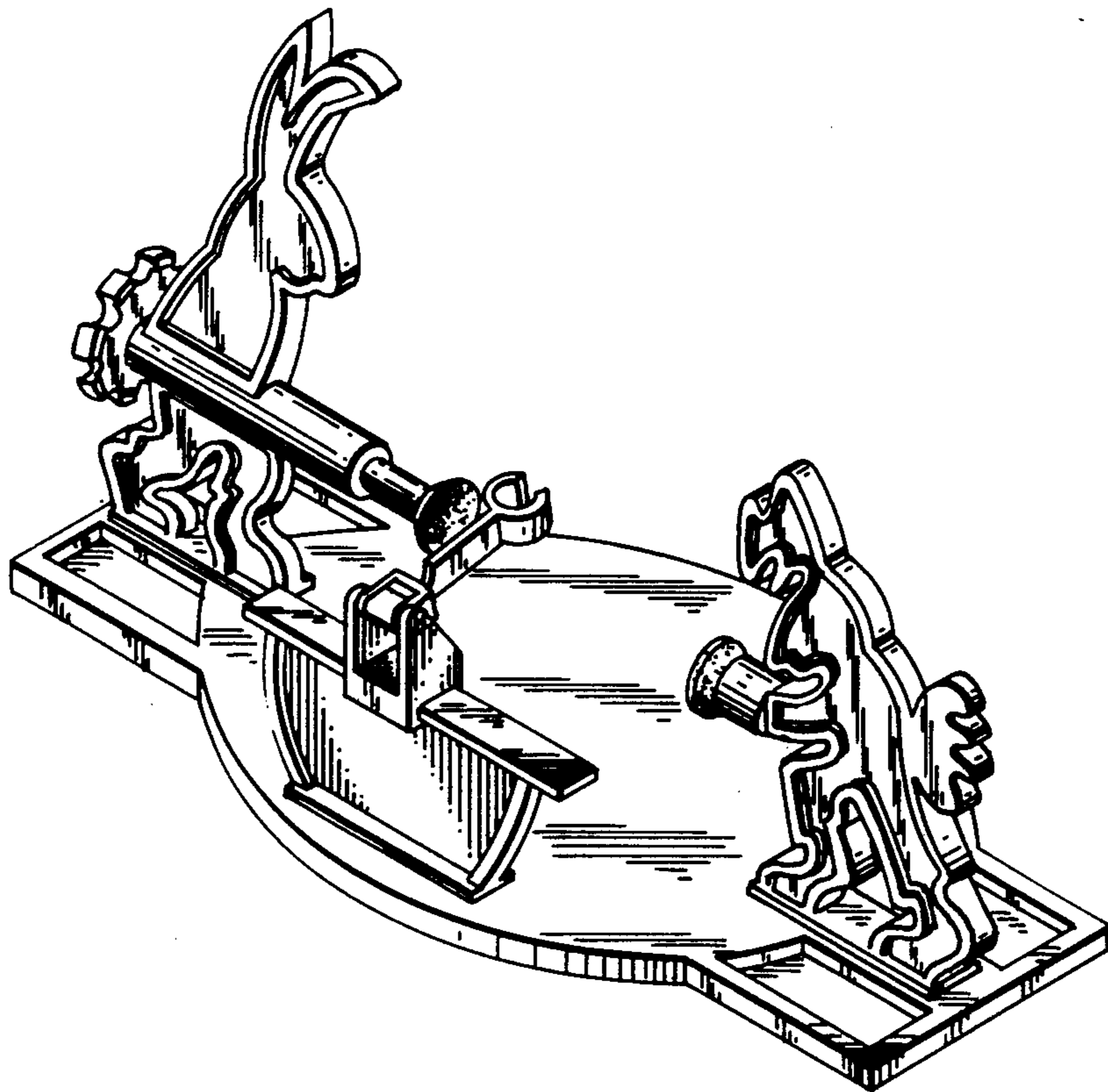
Primary Examiner—Joel Stearman  
 Assistant Examiner—George P. Word  
 Attorney, Agent, or Firm—Ralph F. Merchant

CLAIM

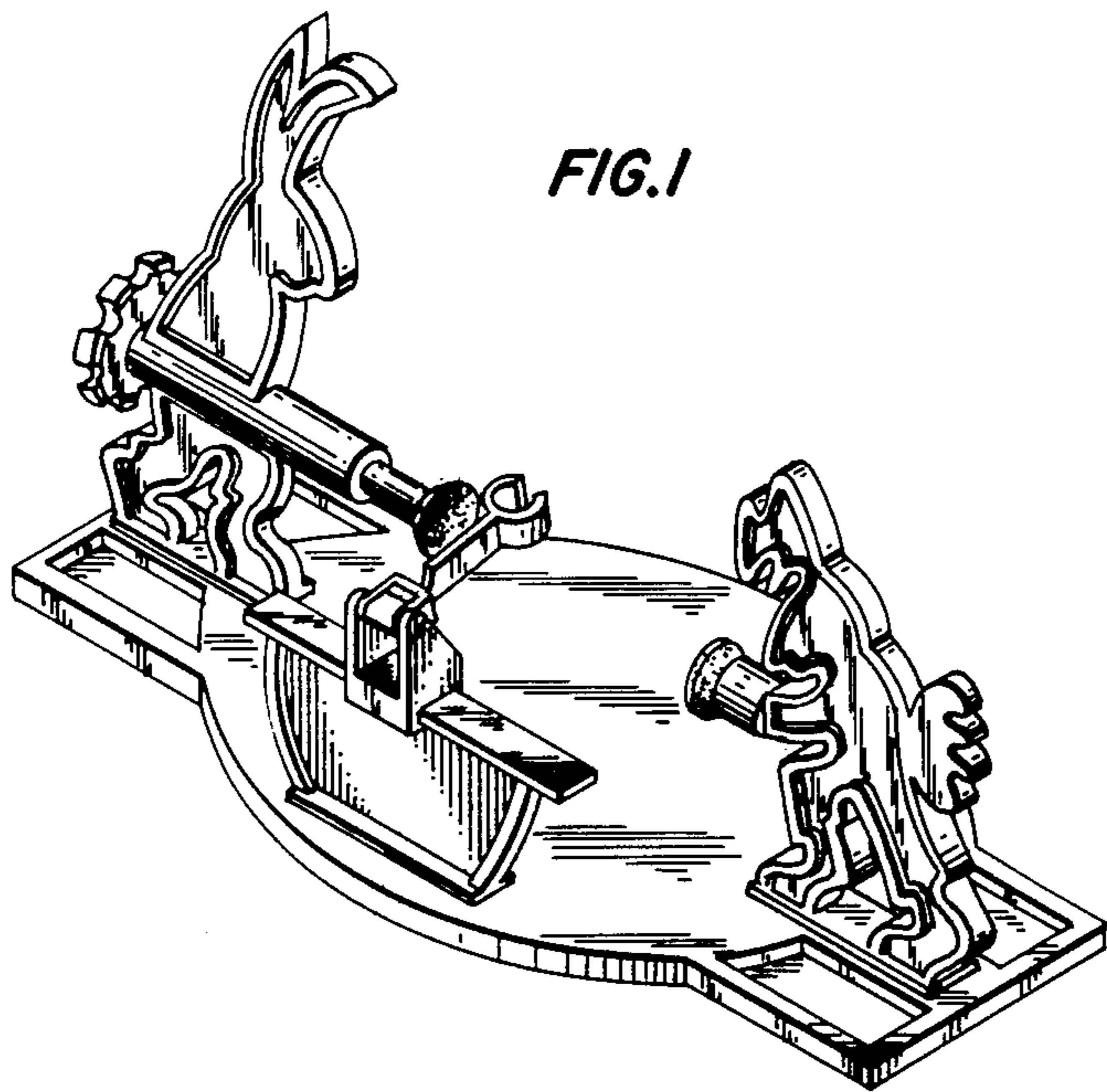
[57] The ornamental design for an egg decorating device, as shown.

DESCRIPTION

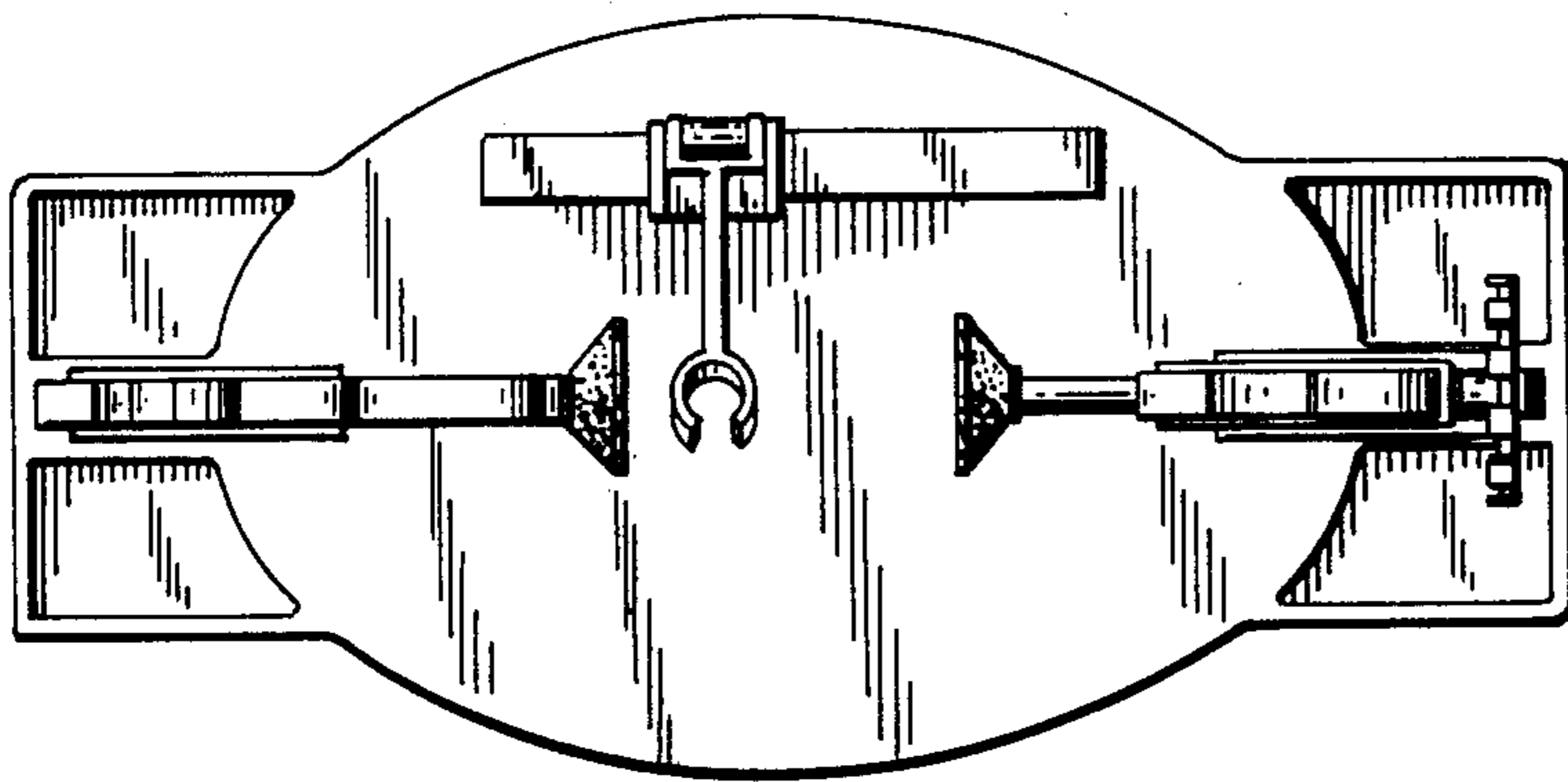
FIG. 1 is a perspective view of an egg decorating device showing my new design;  
 FIG. 2 is a top plan view thereof;  
 FIG. 3 is a rear elevational view thereof;  
 FIG. 4 is a left side elevational view thereof; and  
 FIG. 5 is a right side elevational view thereof.



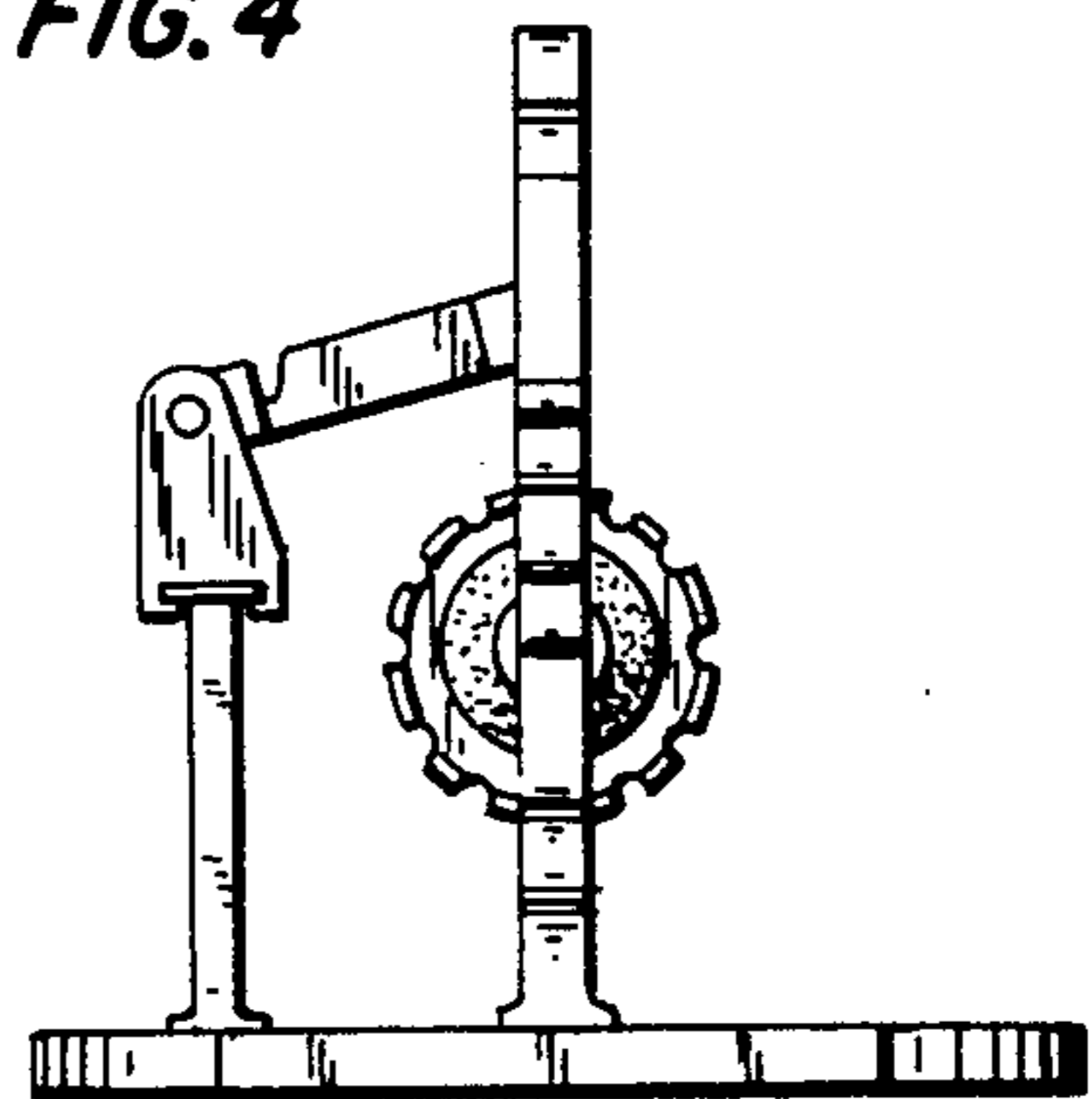
- [56] References Cited
- U.S. PATENT DOCUMENTS
- D. 133,824 9/1942 Young ..... D7/41
- D. 146,428 3/1947 Berger ..... D34/2 D
- D. 151,621 11/1948 Green ..... D7/98



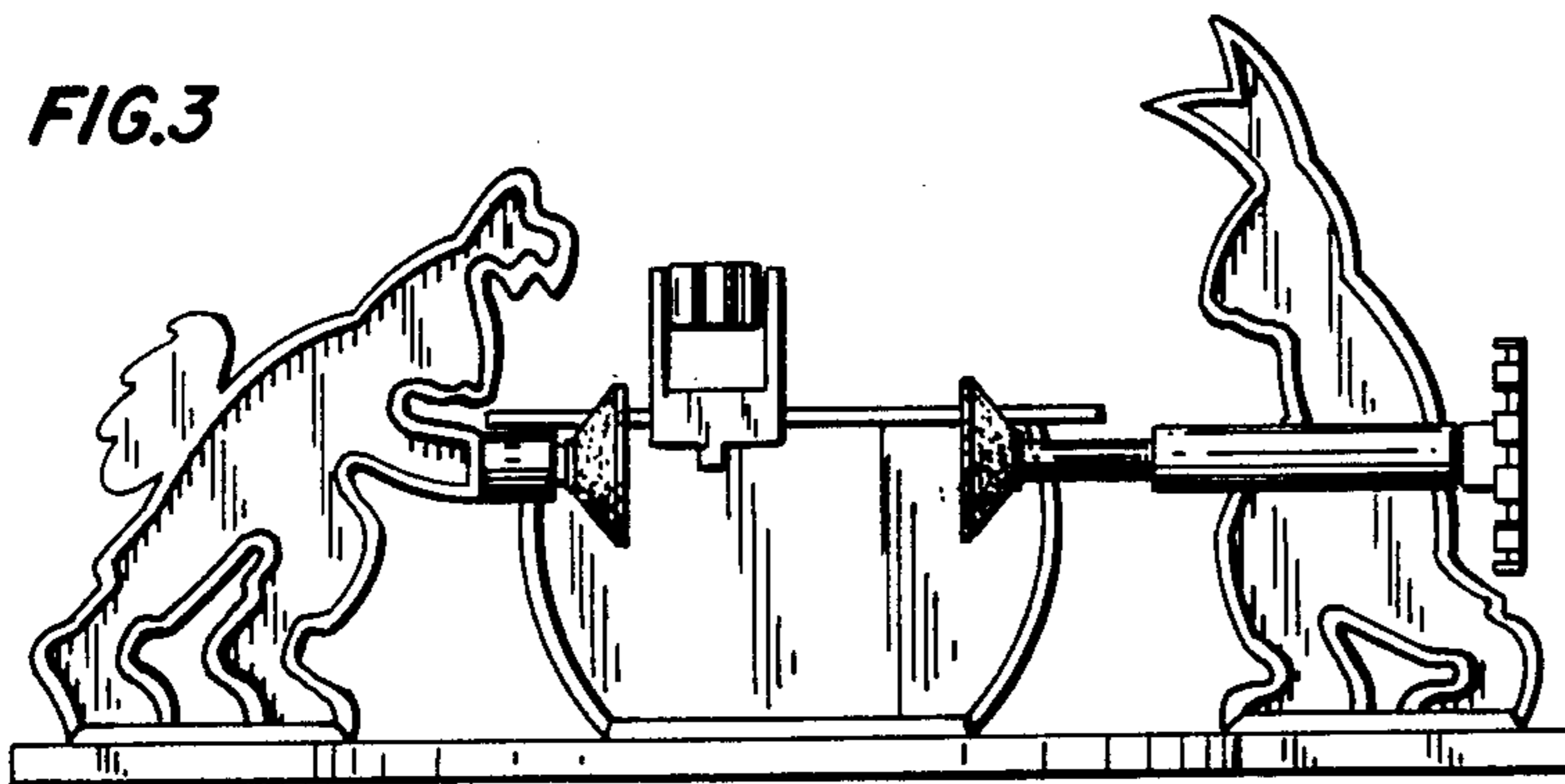
**FIG. 2**



**FIG. 4**



**FIG. 3**



**FIG. 5**

